



US00D368973S

United States Patent [19]

[11] **Patent Number:** **Des. 368,973**

Dolan

[45] **Date of Patent:** ****Apr. 16, 1996**

[54] **DOWNLIGHT FOR CHANDELIER**

Feiss Industries, 125 Rose Feiss Blvd., Bronx, NY 10454.

[76] **Inventor:** **Patrick S. Dolan**, 1901 NW. Upshur St., Portland, Oreg. 97209

Model 4175, Catalog No. 8, 1982, p. 52 Frederick Ramond, Inc., 16121 Carmenita Rd., Cerritos, CA 90701.

[**] **Term:** **14 Years**

Primary Examiner—Susan J. Lucas

[21] **Appl. No.:** **33,059**

[22] **Filed:** **Jan. 4, 1995**

[52] **U.S. Cl.** **D26/85; D26/131; D26/153**

[57] **CLAIM**

The ornamental design for a downlight for chandelier, as shown.

[58] **Field of Search** D26/138, 142, D26/146-153, 72, 80-92, 131; 362/147, 404-408

DESCRIPTION

[56] **References Cited**

U.S. PATENT DOCUMENTS

D. 357,994 5/1995 Dolan D26/81
D. 357,996 5/1995 Dolan D26/86

FIG. 1 is a side perspective view thereof;

FIG. 2 is a side view in elevation thereof;

FIG. 3 is a top plan view thereof; and,

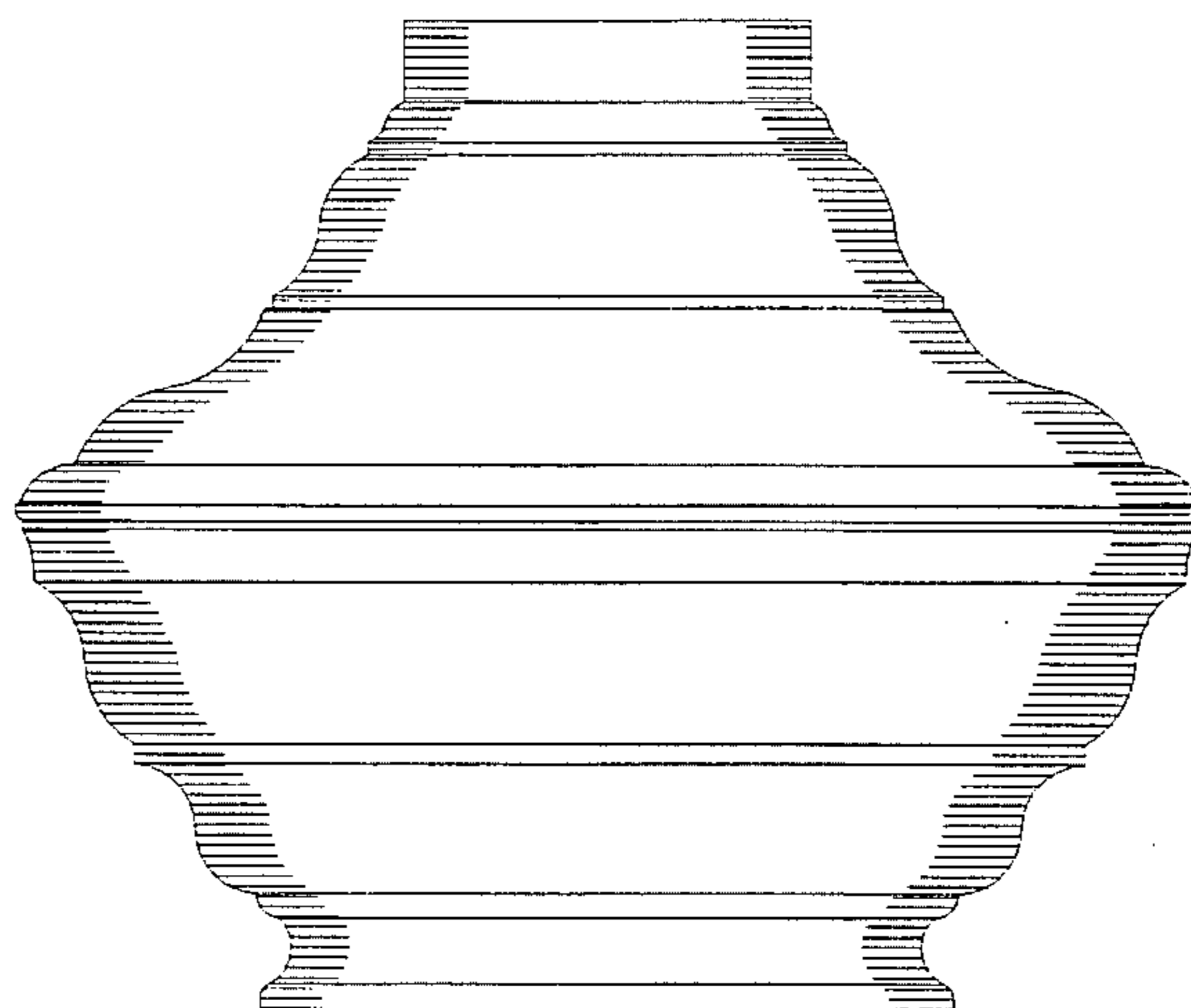
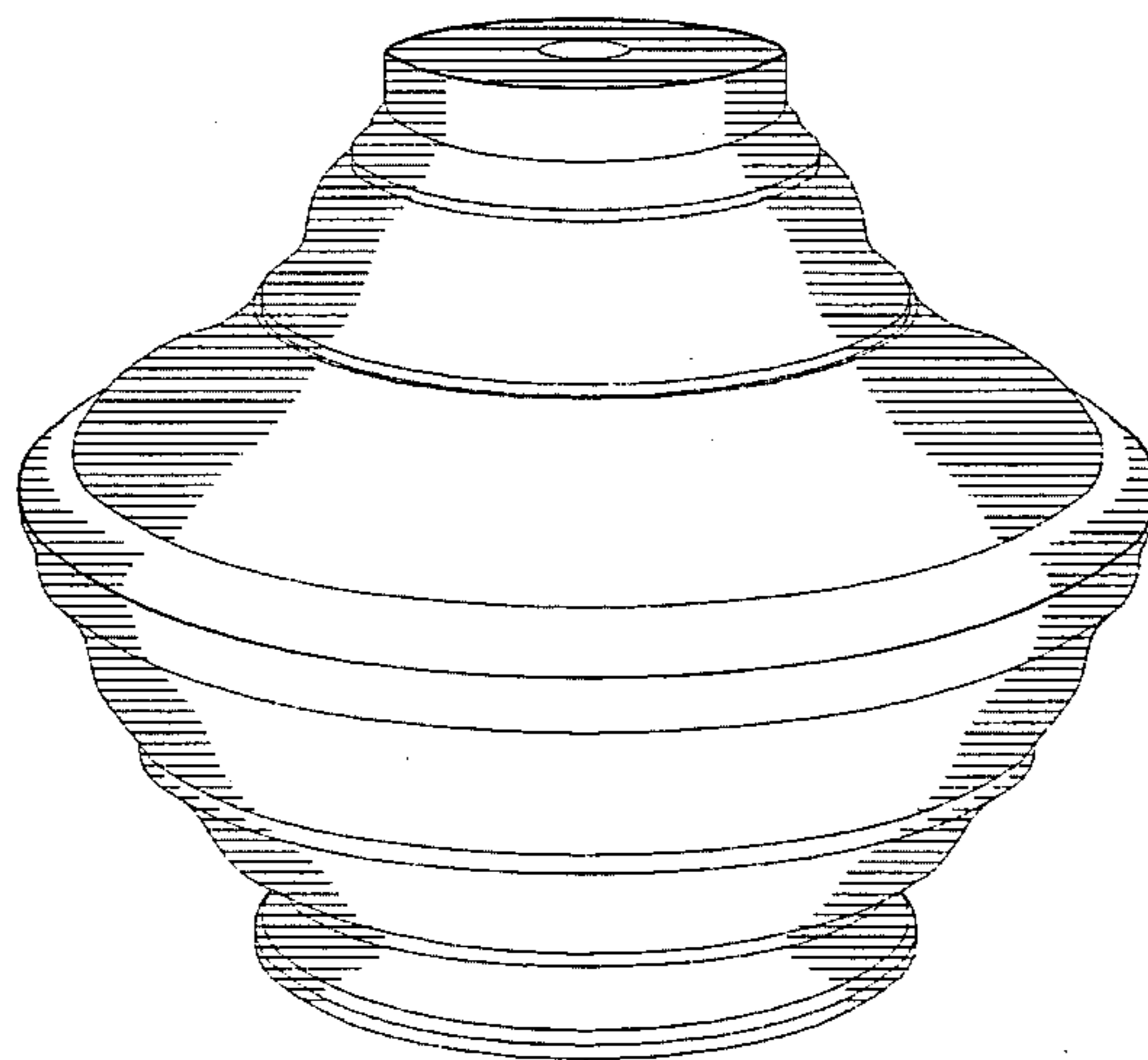
FIG. 4 is a bottom plan view thereof.

OTHER PUBLICATIONS

Seagull Lighting Catalog, ©1987, p. 23, Chandelier with downlight #3307-02.

Model F1485/6+1, Catalog vol. FX3-94, p. FX27 Murray

1 Claim, 4 Drawing Sheets



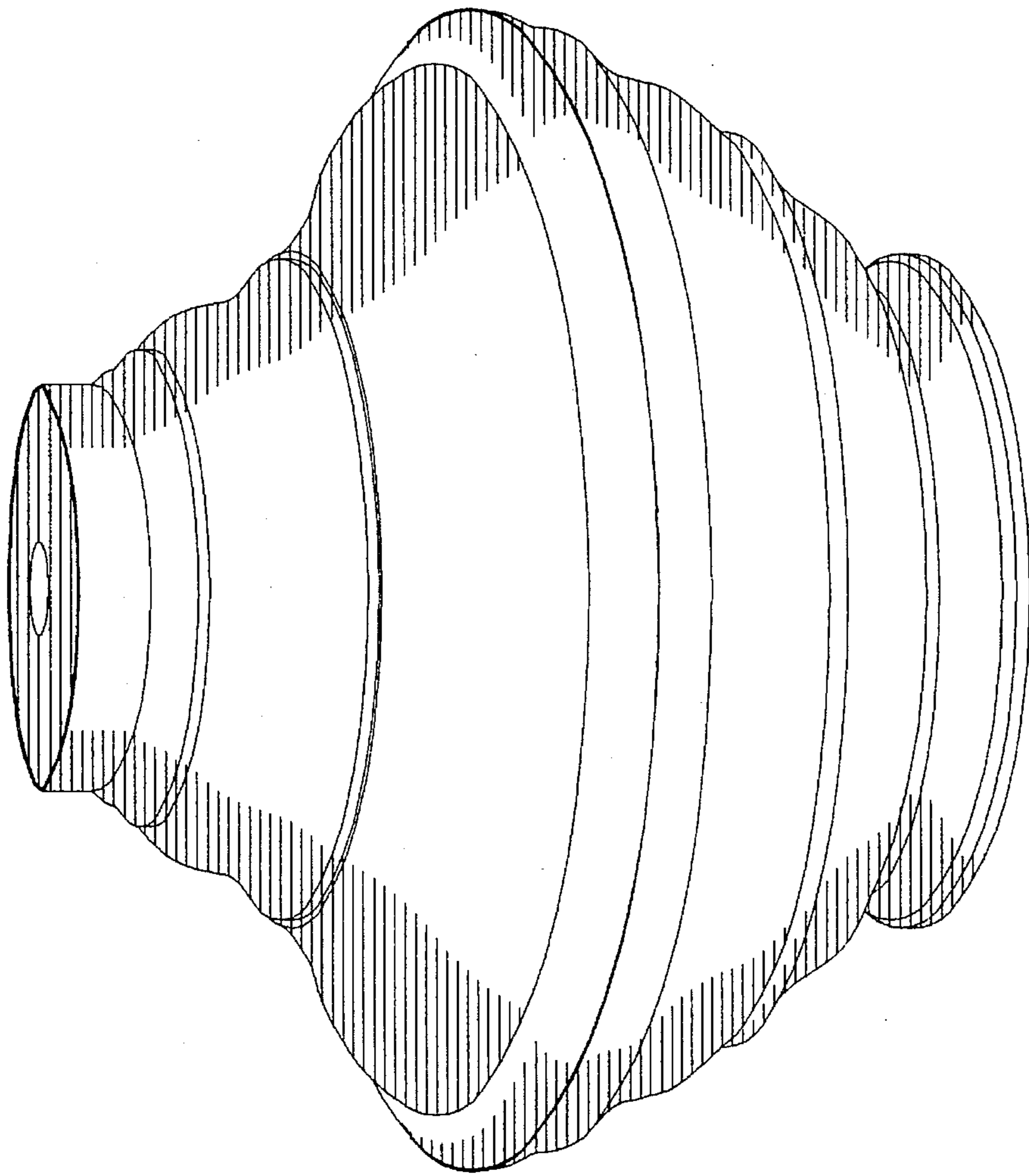


fig. 1

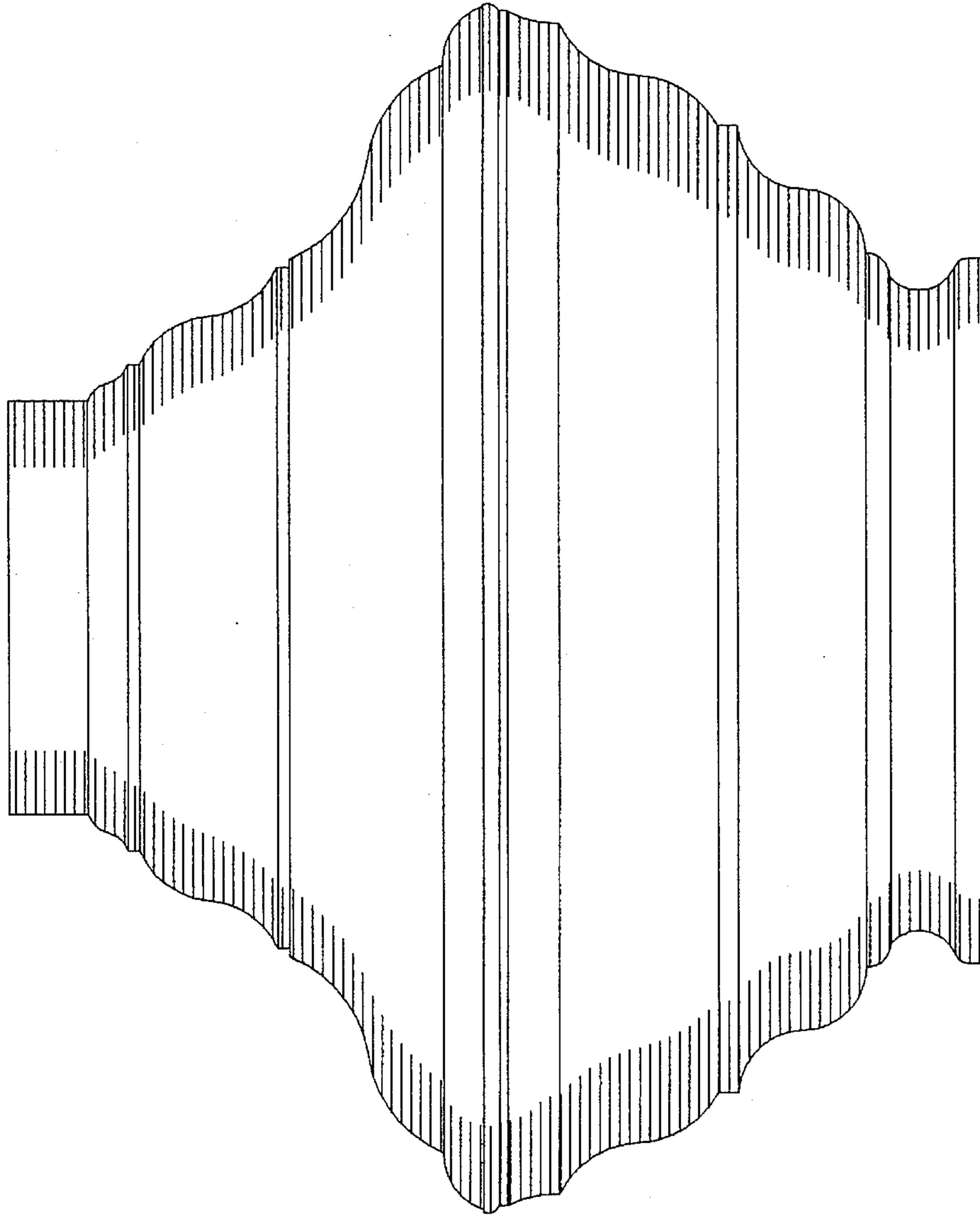


fig. 2

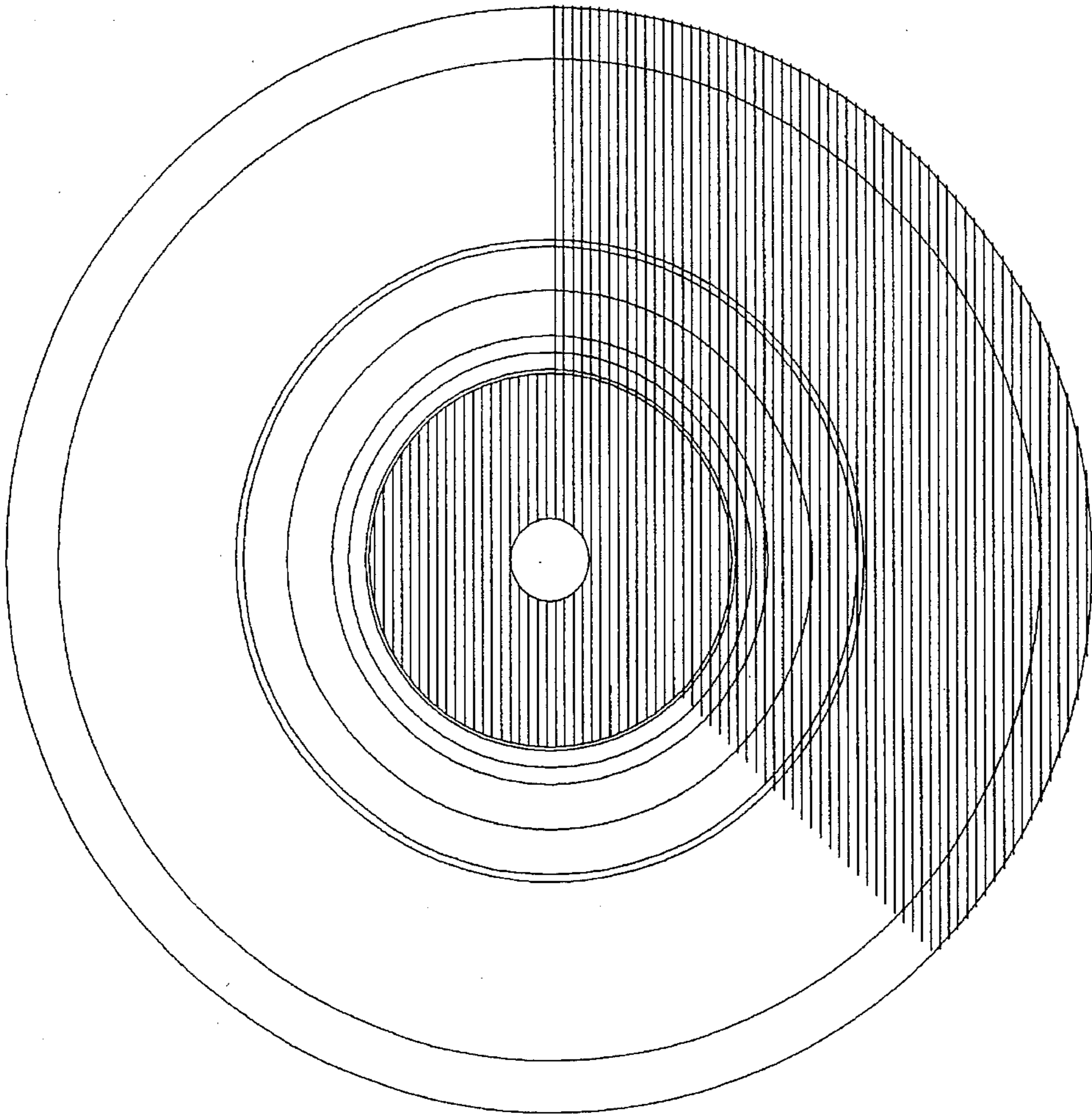


fig. 3

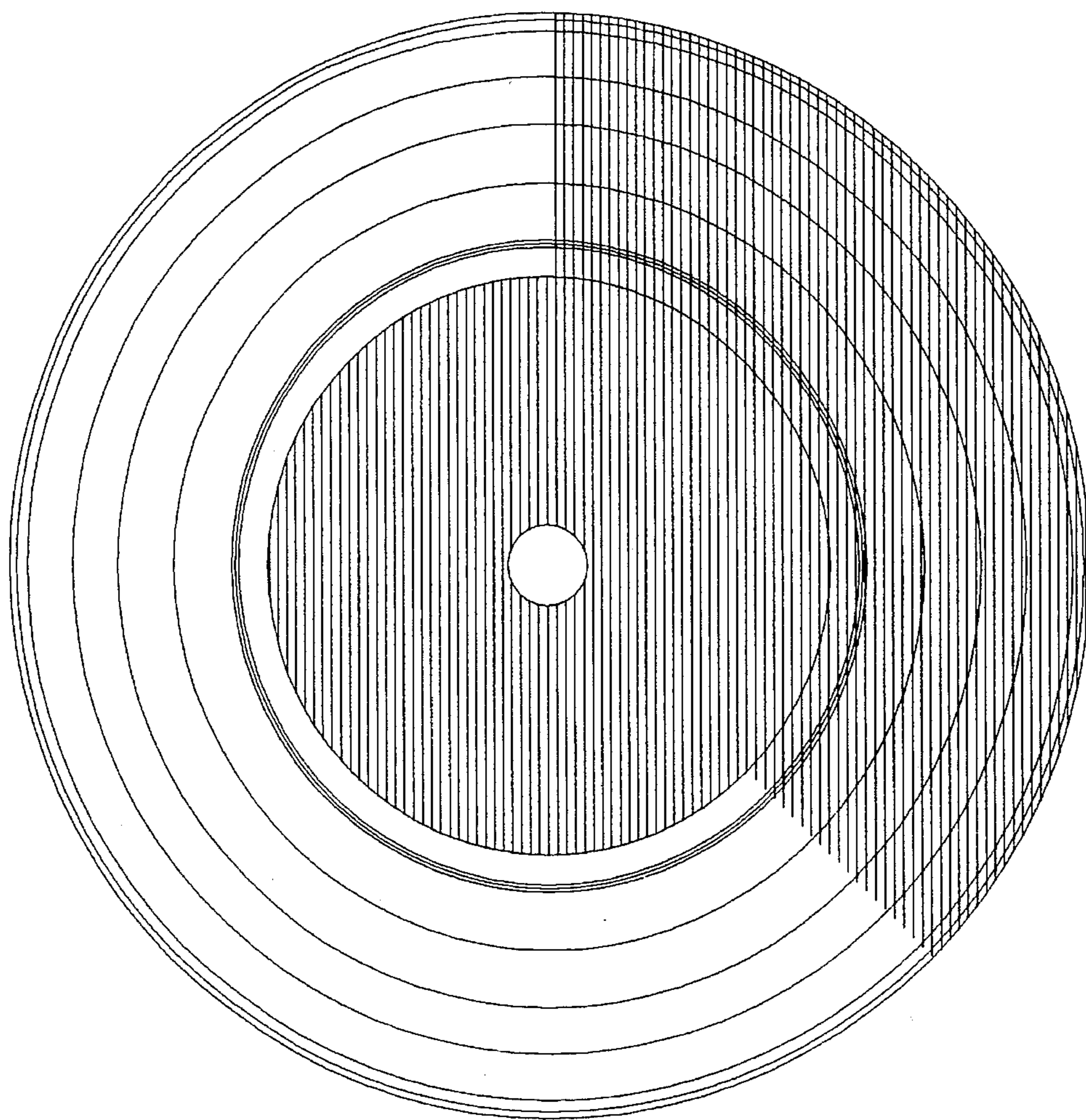


fig. 4