



US00D368969S

United States Patent [19]

Davies

[11] Patent Number: **Des. 368,969**

[45] Date of Patent: ***** Apr. 16, 1996**

[54] **TILE EDGING STRIP**

[75] Inventor: **Alan J. E. Davies**, Hednesford, England

[73] Assignee: **McKechnie UK Limited**, Walsall, England

[*] Notice: The portion of the term of this patent subsequent to Nov. 7, 2009, has been disclaimed.

[**] Term: **14 Years**

[21] Appl. No.: **32,566**

[22] Filed: **Dec. 21, 1994**

[30] **Foreign Application Priority Data**

Jun. 30, 1994 [GB] United Kingdom 2040048

[52] U.S. Cl. **D25/119**

[58] Field of Search D25/68-69, 122, D25/125, 120, 164, 119, 199; D6/587; 52/179, 181, 220.5, 391-393, 396.1, 396.04, 459, 716.1, 718.01, 287-288, 731.7, 730.6; 428/33, 43

[56] **References Cited**

U.S. PATENT DOCUMENTS

Re. 17,205	2/1929	Loehr	D25/69
1,528,147	3/1925	Durkee	D25/164
1,681,073	8/1928	Welcome	52/181
3,287,867	11/1966	Aton	52/716.1
4,905,431	3/1990	Davis	52/181
5,073,430	12/1991	Aidan	428/43

Primary Examiner—Louis S. Zarfaz
Attorney, Agent, or Firm—Volpe and Koenig

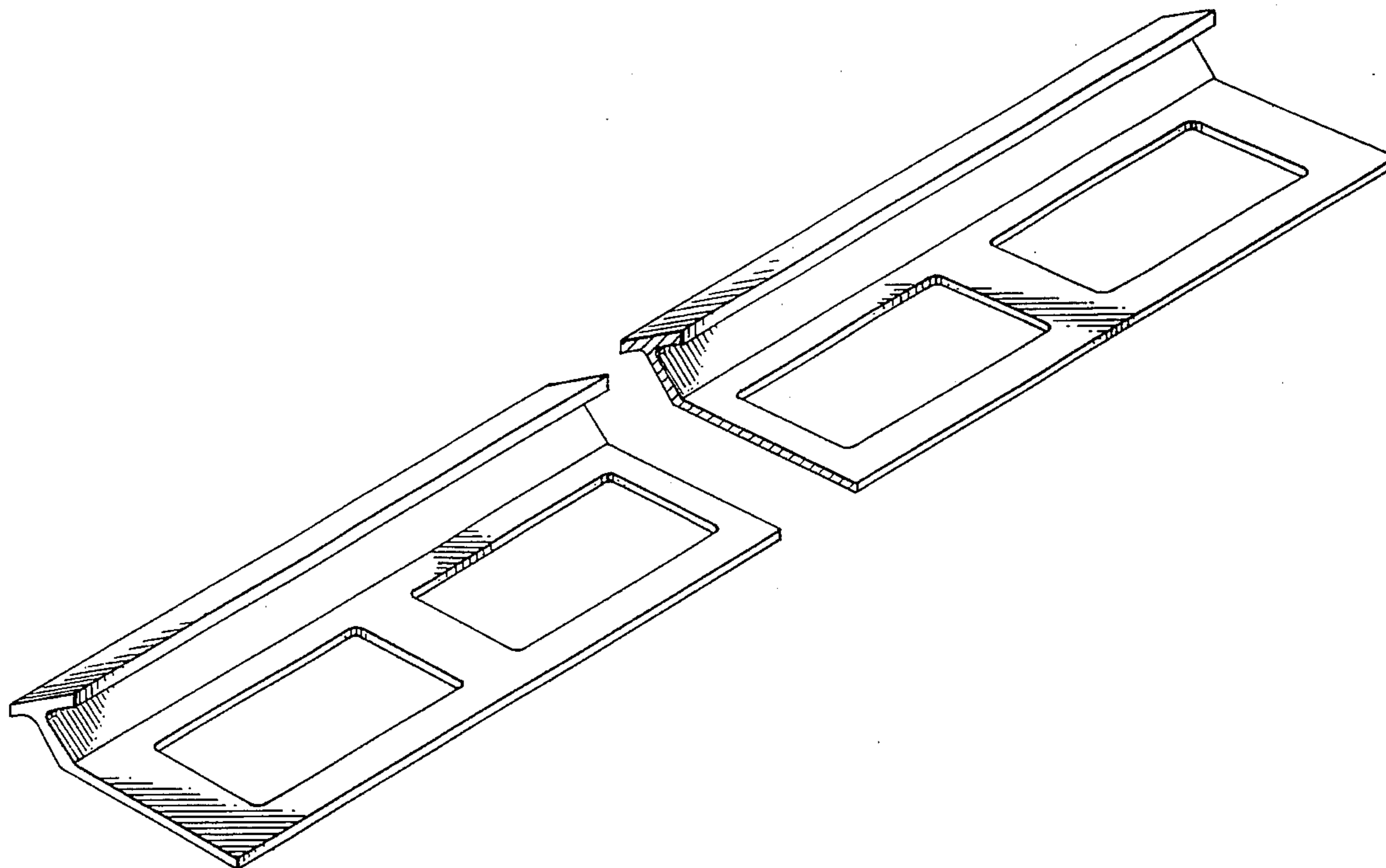
[57] **CLAIM**

The ornamental design for a tile edging strip, as shown and described.

DESCRIPTION

FIG. 1 is a perspective view from one end of the tile edging strip which is broken in the center to indicate indeterminate length, and the pattern of the openings is repeated throughout the length thereof; and, FIG. 2 is an enlarged view of the other end.

1 Claim, 1 Drawing Sheet



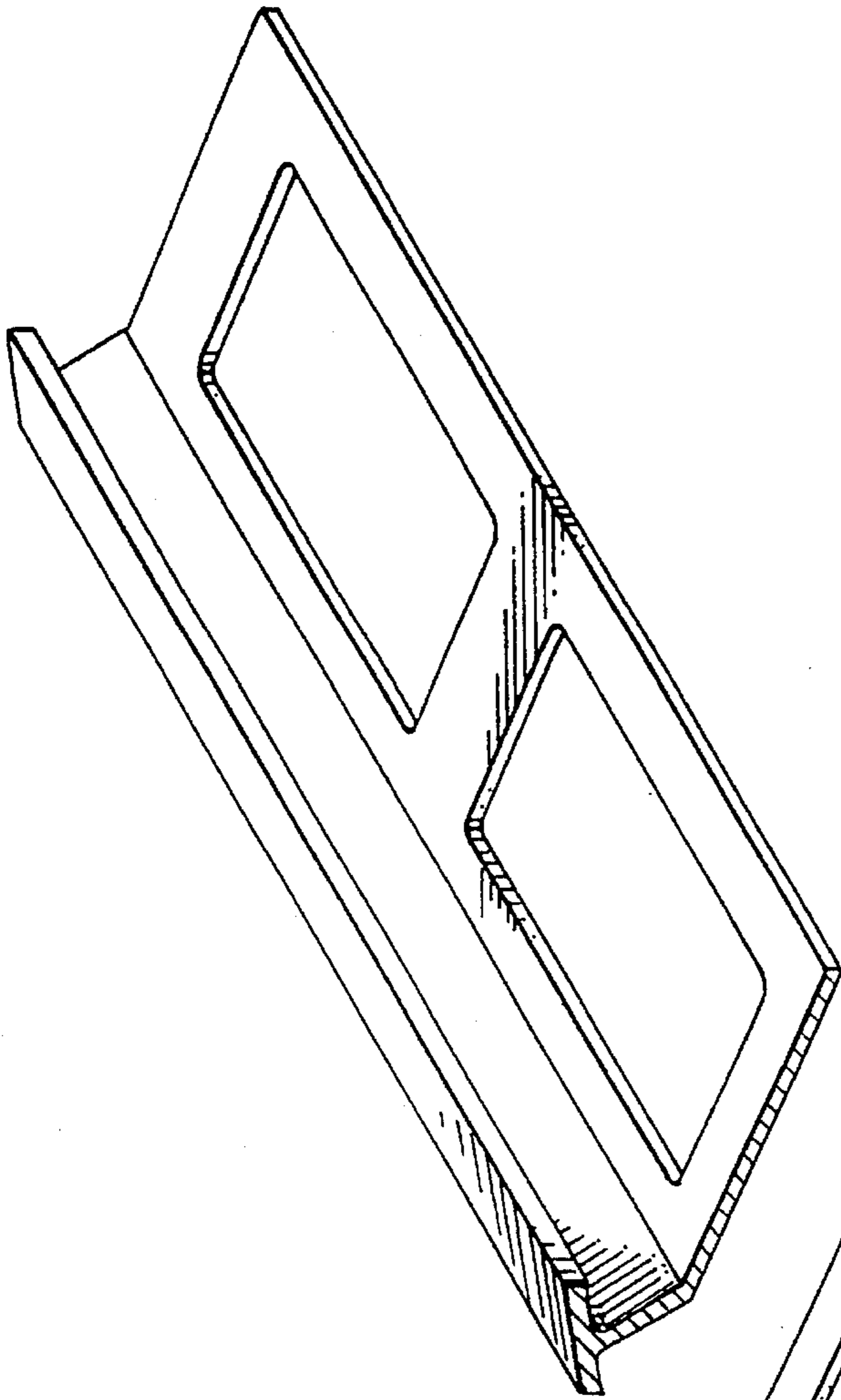


Fig.1.

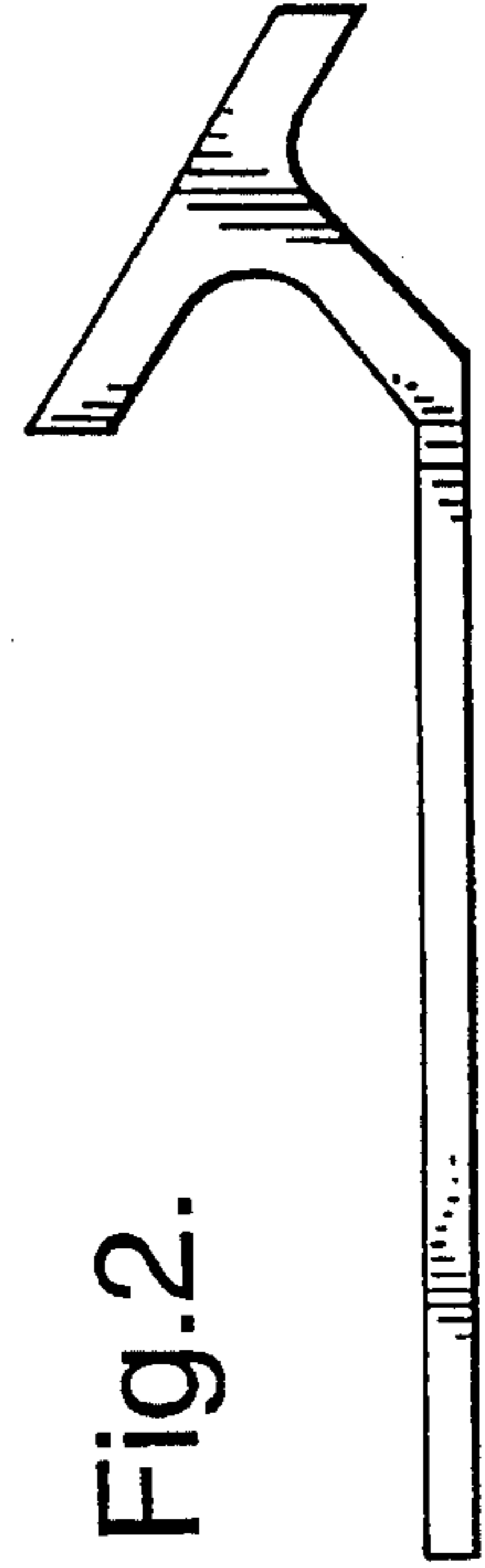
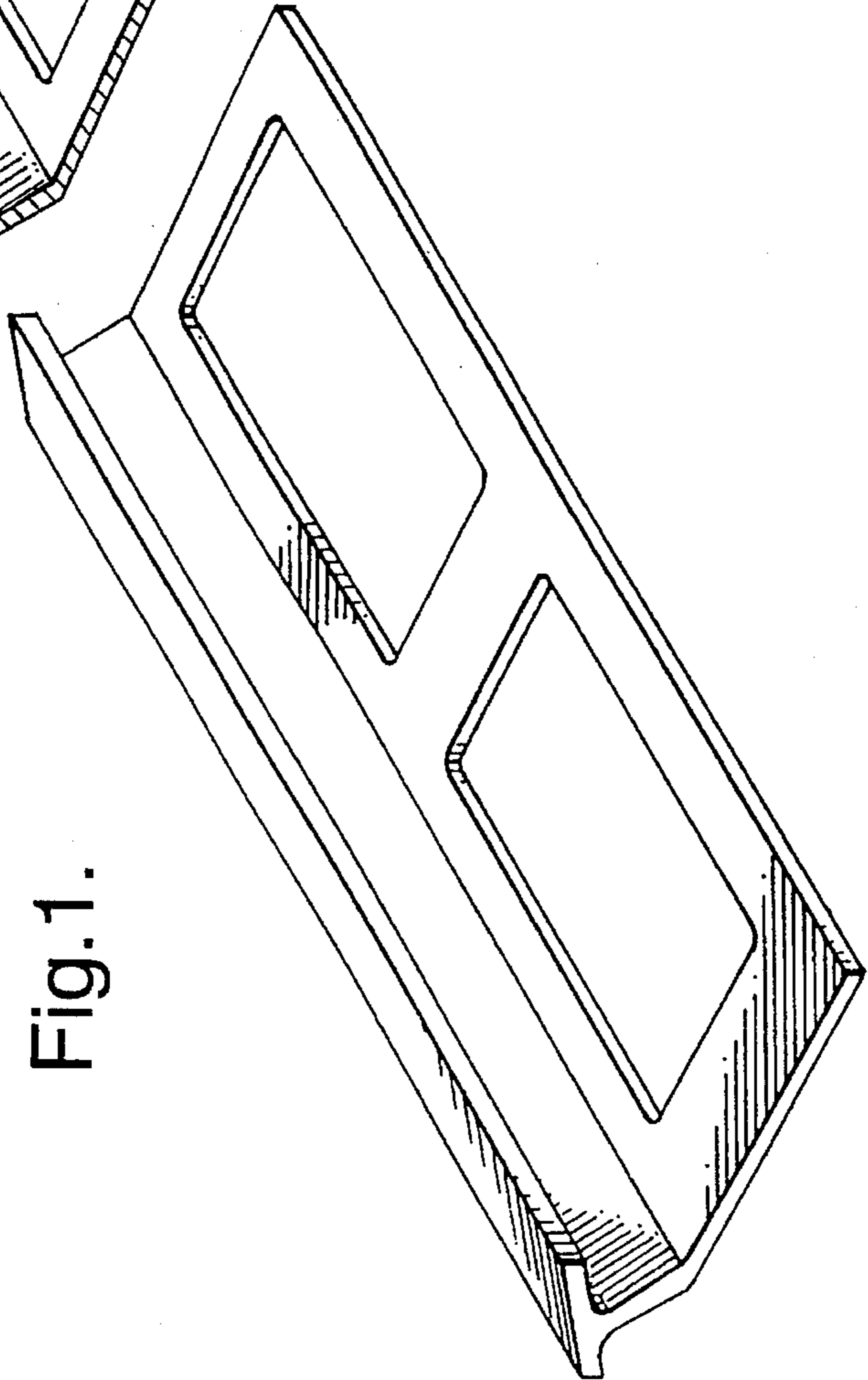


Fig.2.