



US00D368968S

United States Patent [19]

[11] Patent Number: **Des. 368,968**

Markovich et al.

[45] Date of Patent: ****Apr. 16, 1996**

[54] **LADDER SAFETY APPARATUS**

4,770,272 9/1988 Riley 248/210
4,836,331 6/1989 Foradori 182/107

[75] Inventors: **David H. Markovich**, 4979 Simcoe Cir., Marietta, Ga. 30062; **William M. Foster**, Sandy Springs, Ga.

Primary Examiner—Doris Clark
Attorney, Agent, or Firm—Hopkins & Thomas; Scott A. Horstemeyer

[73] Assignee: **David H. Markovich**, Marietta, Ga.

[57] **CLAIM**

[**] Term: **14 Years**

The ornamental design entitled ladder safety apparatus, as shown and described.

[21] Appl. No.: **41,954**

DESCRIPTION

[22] Filed: **Jul. 27, 1995**

[52] U.S. Cl. **D25/68**

[58] Field of Search D25/68, 199; 182/107, 182/127, 8, 5, 97, 47, 229, 206, 46, 219; 248/210; D8/349, 354, 366

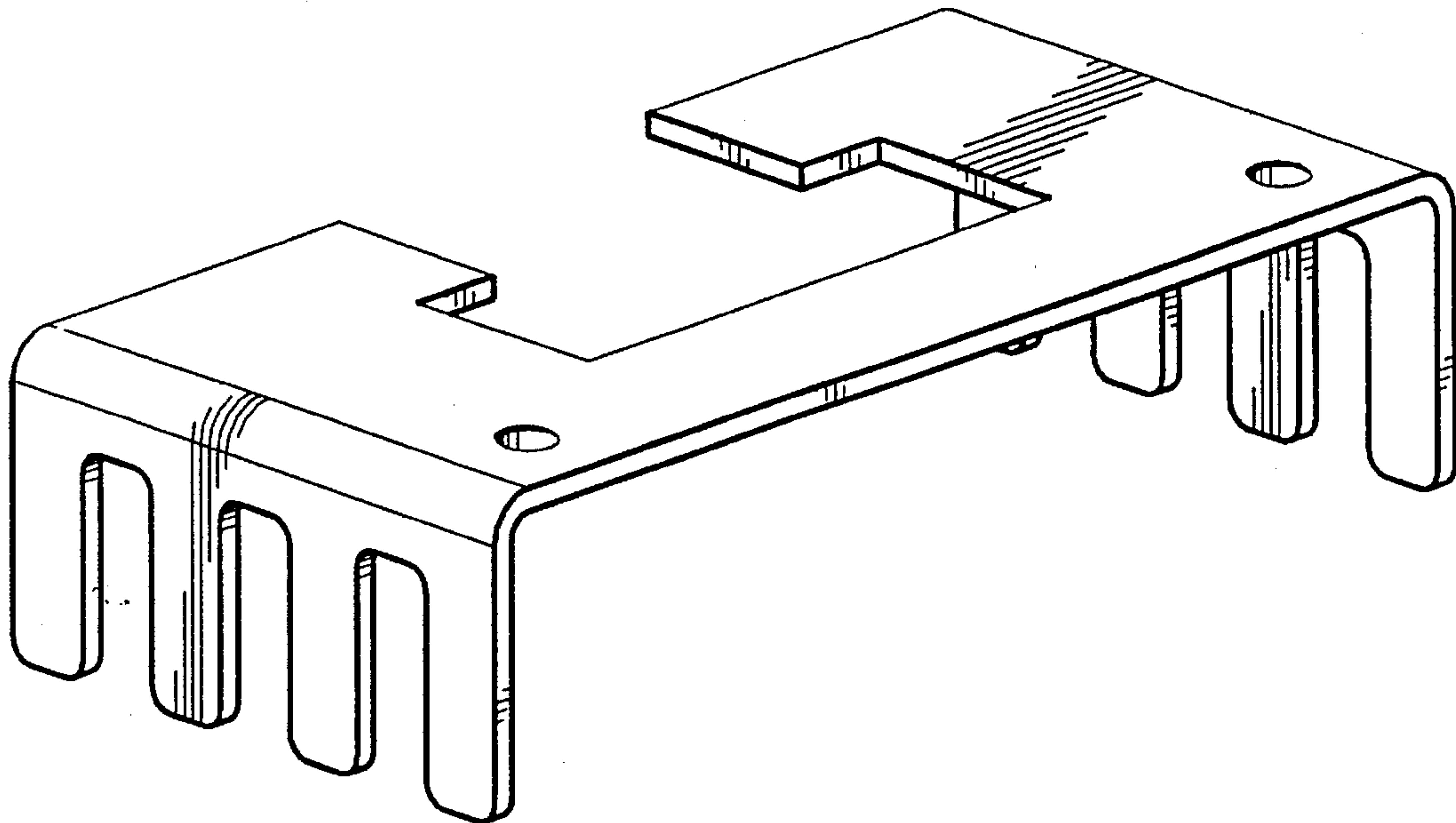
FIG. 1 is a perspective view of the ladder safety apparatus; FIG. 2 is a top view of the ladder safety apparatus of FIG. 1; FIG. 3 is a right side view of the ladder safety apparatus of FIG. 1; FIG. 4 is a bottom view of the ladder safety apparatus of FIG. 1; FIG. 5 is a left side view of the ladder safety apparatus of FIG. 1; and, FIG. 6 is an end view of either end of the ladder safety apparatus of FIG. 1.

[56] **References Cited**

U.S. PATENT DOCUMENTS

D. 356,166	3/1995	Spiller	D25/68
4,085,818	4/1978	Swager	D25/68
4,184,568	1/1980	Hillier	182/8
4,444,291	4/1984	McPherson	182/214
4,643,275	2/1987	LeBlanc	182/107

1 Claim, 2 Drawing Sheets



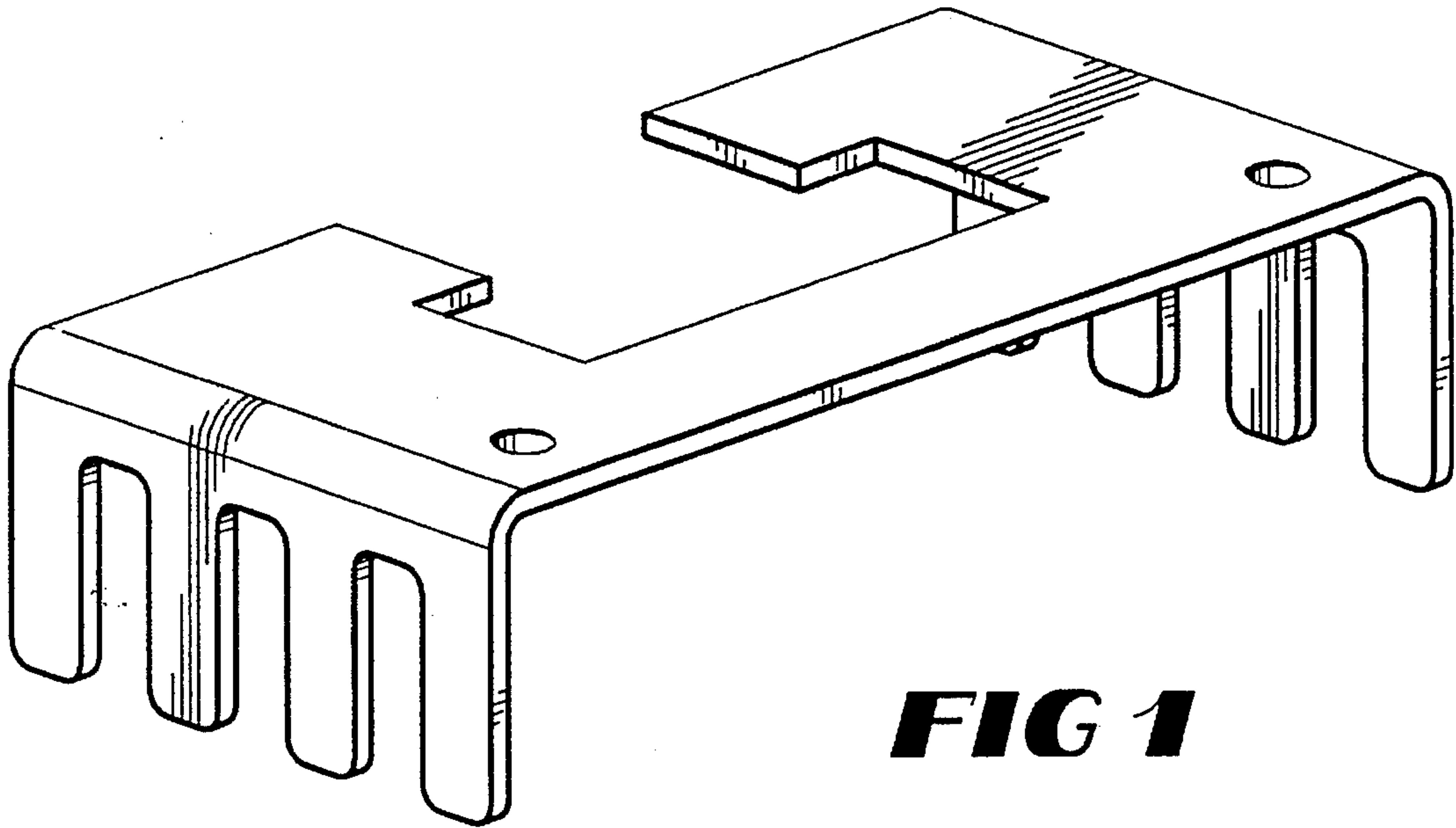


FIG 1

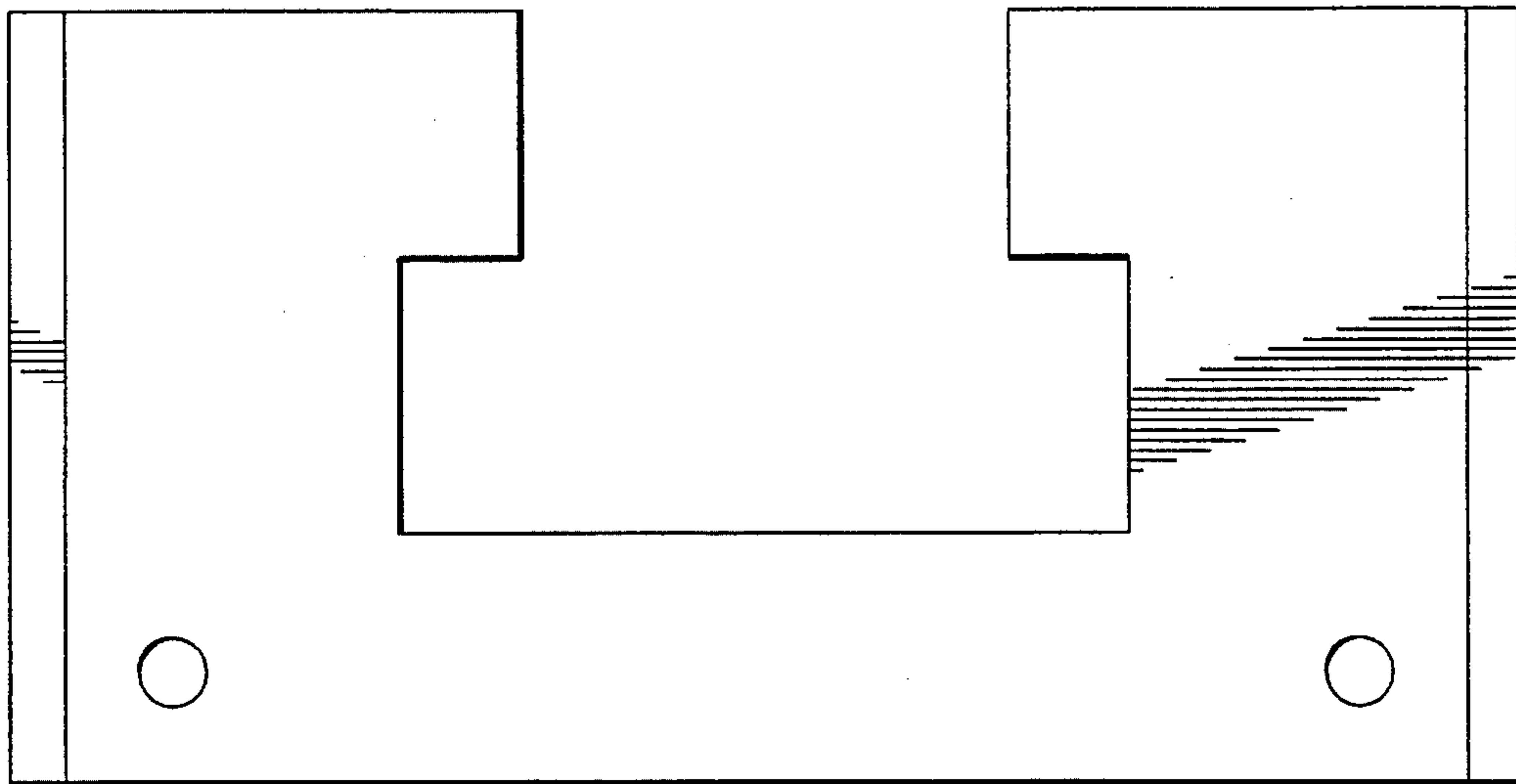


FIG 2



FIG 3

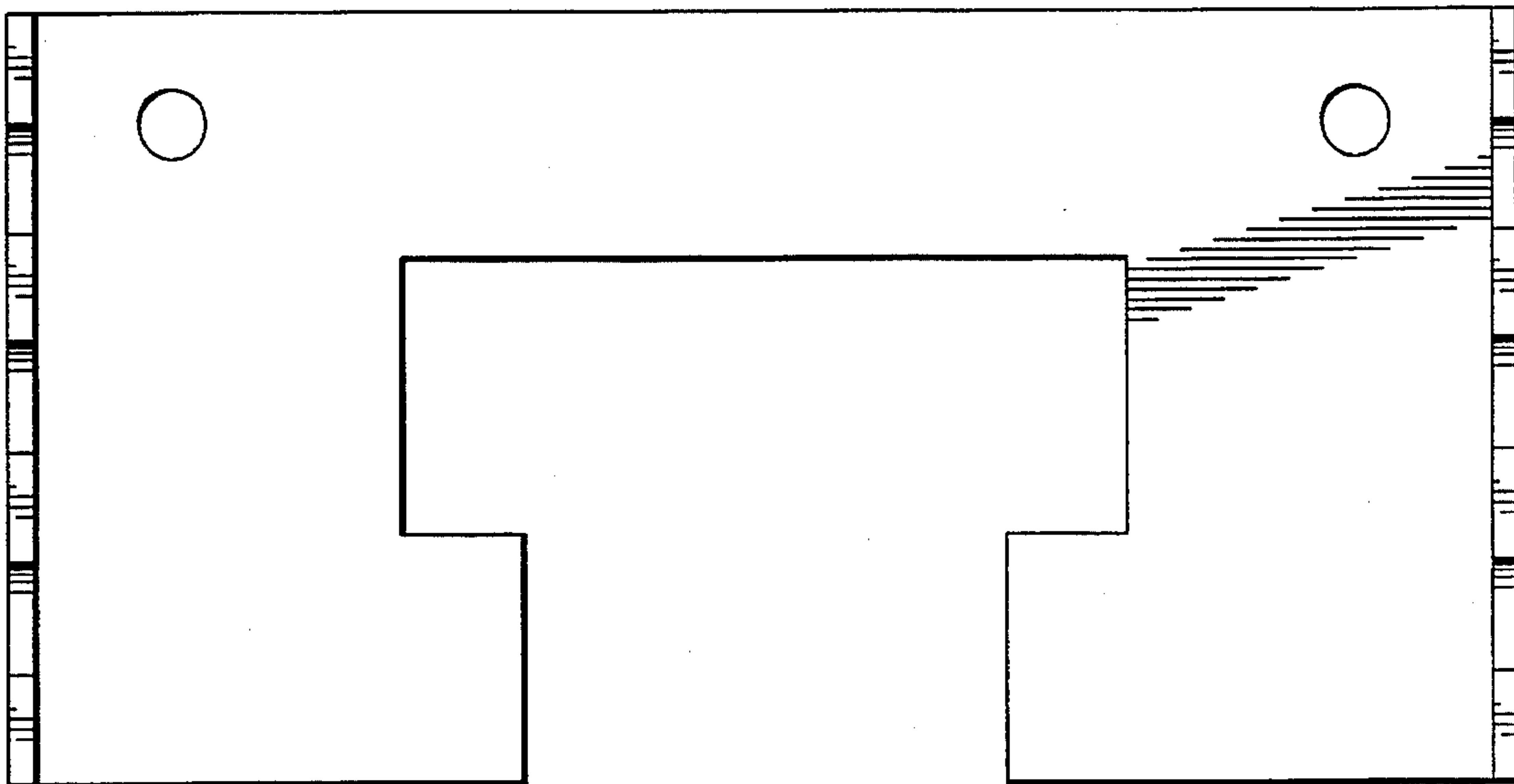


FIG 4

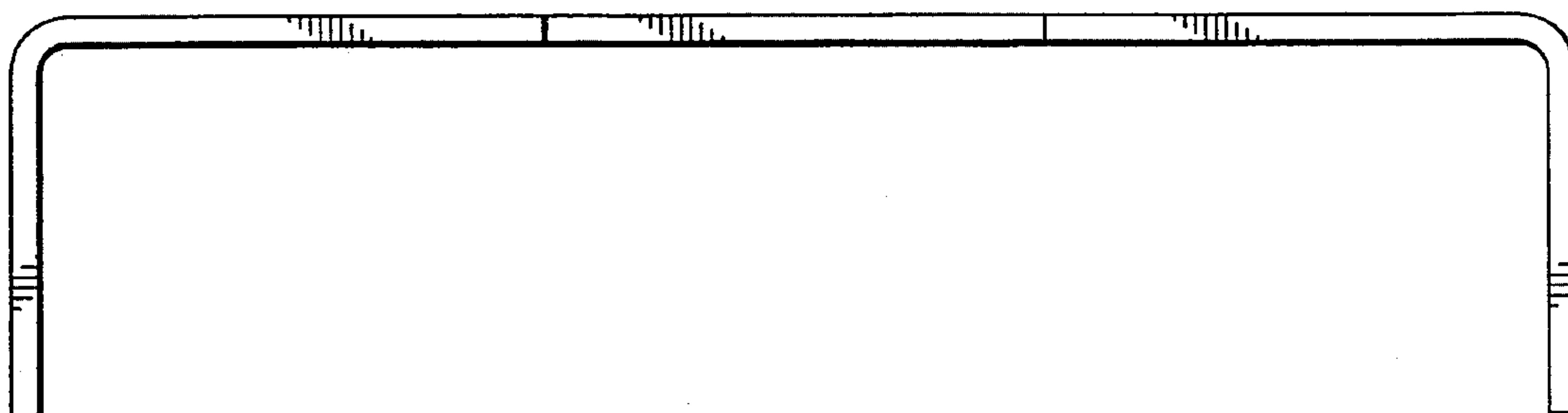


FIG 5

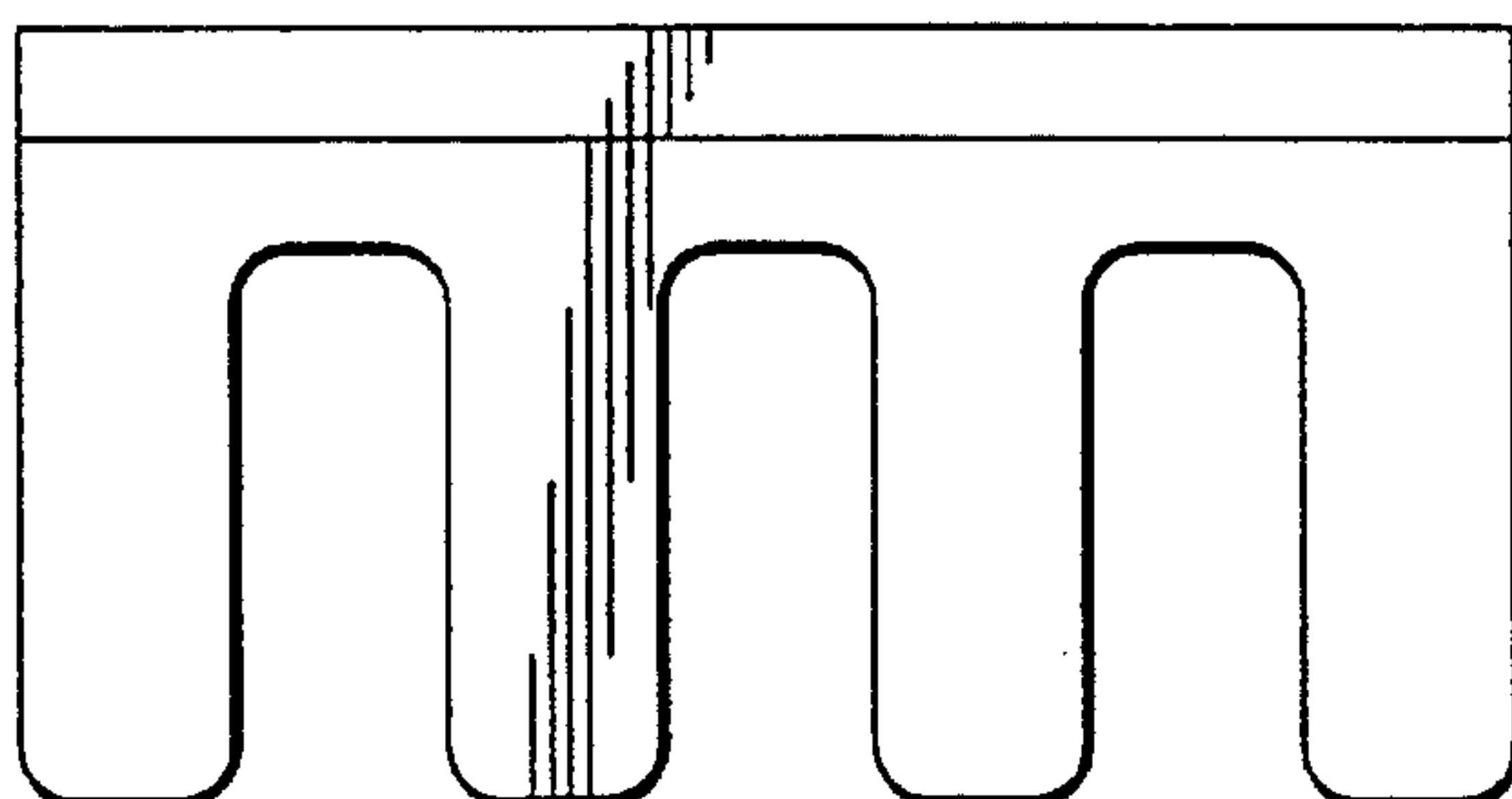


FIG 6