



US00D368964S

United States Patent [19]

Mendoza

[11] Patent Number: Des. 368,964

[45] Date of Patent: *** Apr. 16, 1996

- [54] DENTAL PROPHYLAXIS CUP
- [75] Inventor: Jose L. Mendoza, Rancho Cordova, Calif.
- [73] Assignee: Denticator International, Inc., Rancho Cordova, Calif.
- [*] Notice: The portion of the term of this patent subsequent to Apr. 2, 2010, has been disclaimed.
- [**] Term: 14 Years
- [21] Appl. No.: 18,185
- [22] Filed: Feb. 1, 1994
- [52] U.S. Cl. D24/176; D24/180
- [58] Field of Search D24/176-182; 433/166, 133

4,259,071	3/1981	Warden et al.	433/166
4,266,933	5/1981	Warden et al.	433/82
4,365,956	12/1982	Bailey	433/115
4,693,871	9/1987	Geller	433/116
4,795,343	1/1989	Choisser	433/116
4,842,516	6/1989	Choisser	433/132
4,929,180	5/1990	Moreschini	433/166
4,941,828	7/1990	Kimura	433/114
5,020,994	6/1991	Huang	433/126
5,028,233	7/1991	Witherby	433/125
5,040,978	8/1991	Falcon et al.	433/125
5,083,922	1/1992	Yale	433/166
5,094,615	3/1992	Bailey	433/88
5,120,220	6/1992	Butler	433/125
5,156,547	10/1992	Bailey	433/125
5,334,020	8/1994	Eckert	433/166

FOREIGN PATENT DOCUMENTS

646193	6/1937	Germany .	
102433	5/1951	New Zealand	433/132
2209284	5/1989	United Kingdom	A61C 1/05

OTHER PUBLICATIONS

Denticator; Product Brochure; 1990; entire brochure.
 Oralsafe; Advertisement for oralsafe disposable handpiece;
 Dentistry Today Trade Journal; Aug., 1992; entire advertisement.
 Dental Products Report, "Disposable Handpiece", Nov. 1992, p. 96.
 The National Magazine for Dental Hygiene Professionals, Product Report, "Prophy Cups", Jan. 1992, p. 38.
 Dental Products Report, New Products, "Prophy Cups", Jan. 1992, p. 30.

Primary Examiner—Kay H. Chin
 Attorney, Agent, or Firm—Bernhard Kretzen

[57] CLAIM

The ornamental design for a dental prophylaxis cup, as shown and described.

DESCRIPTION

FIG. 1 is a perspective view of a dental prophylaxis cup showing my new design;
 FIG. 2 is a side view thereof, the opposite side being a mirror image thereof;
 FIG. 3 is a top perspective view thereof;

[56] References Cited

U.S. PATENT DOCUMENTS

Re. 24,391	11/1957	McFadden	51/170
263,814	9/1882	Schmitz .	
1,999,488	4/1935	Swisher et al.	32/27
2,017,881	10/1935	Wiseman	32/59
2,025,779	12/1935	Roelke	32/11
2,135,933	11/1938	Blair	128/48
2,226,145	12/1940	Smith	15/29
2,300,828	11/1942	Goldenberg	32/59
2,315,016	3/1943	Shotton	32/26
2,328,270	8/1943	Greenberg	74/56
2,789,352	4/1957	Wiseman	32/59
2,937,444	5/1960	Kern	32/27
3,163,934	1/1965	Wiseman	32/27
3,192,922	7/1965	Winkler	128/62
3,229,369	1/1966	Hoffmeister et al.	32/27
3,421,224	1/1969	Brehm et al.	32/27
3,727,313	4/1973	Graham	32/27
3,740,853	6/1973	Brahler	32/59
3,855,704	12/1974	Booth	32/28
3,877,574	4/1975	Killick	206/368
3,955,284	5/1976	Balson	32/27
3,987,550	10/1976	Danne et al.	32/59
4,053,983	10/1977	Flatland	32/27
4,182,041	1/1980	Girard	433/115
4,248,589	2/1981	Lewis	433/80

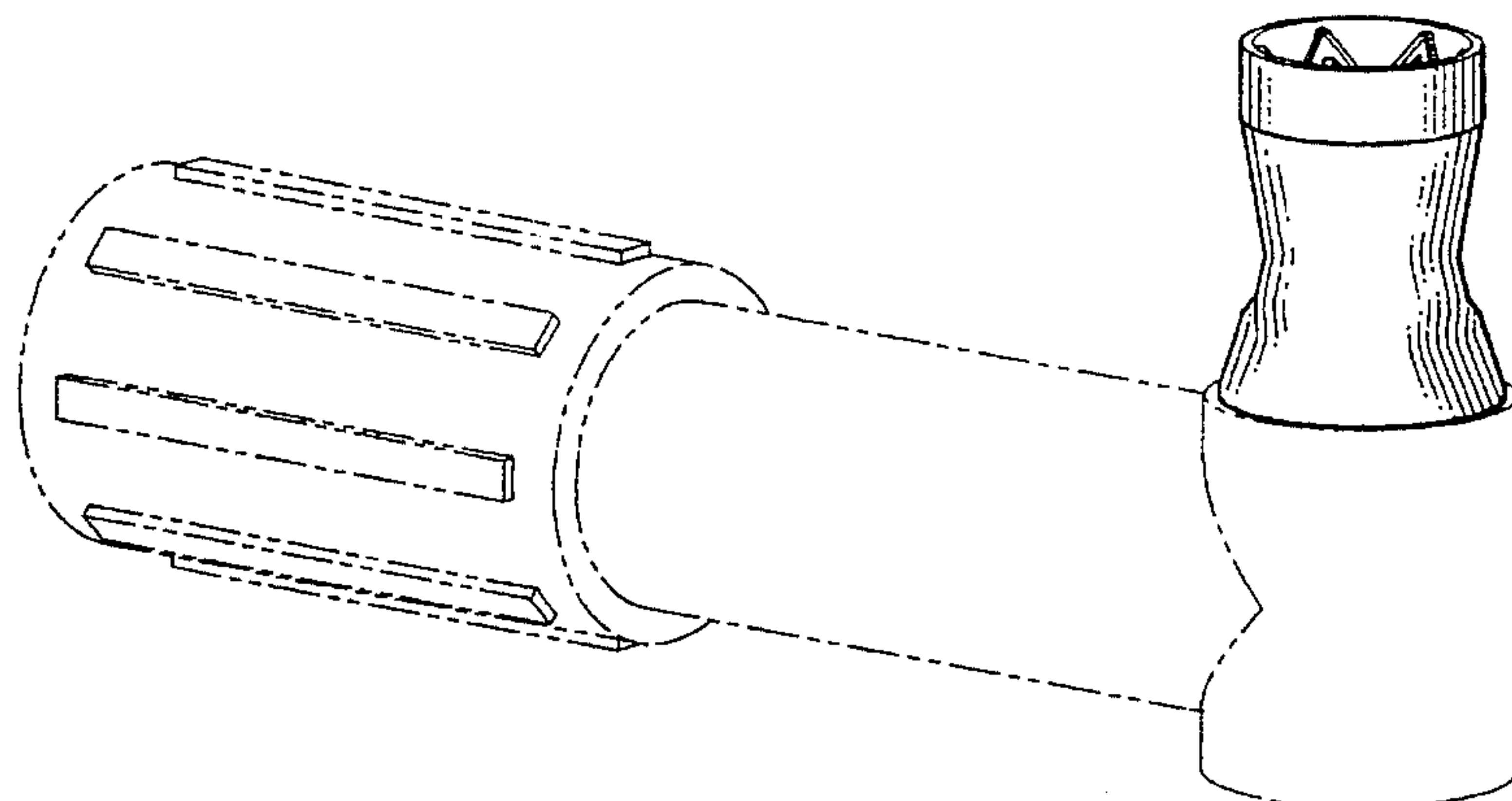


FIG. 4 is a perspective sectional view taken along lines 4—4 of FIG. 3;

FIG. 5 is a bottom view thereof; and,

FIG. 6 is a side perspective thereof.

The broken-line showing of environmental structure in FIG.

6 is for illustrative purposes only and forms no part of the claimed design.

1 Claim, 1 Drawing Sheet

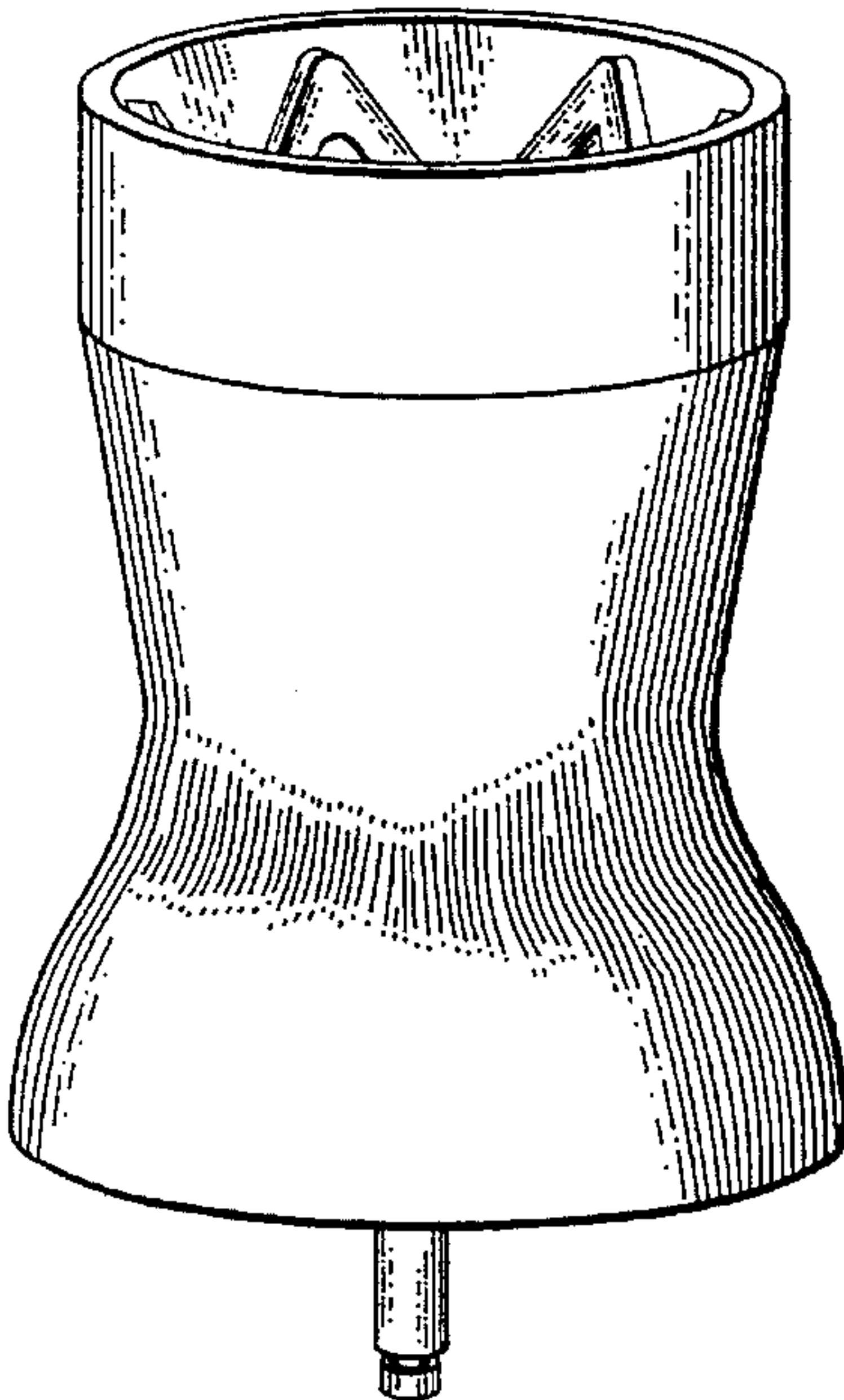


Fig. 1

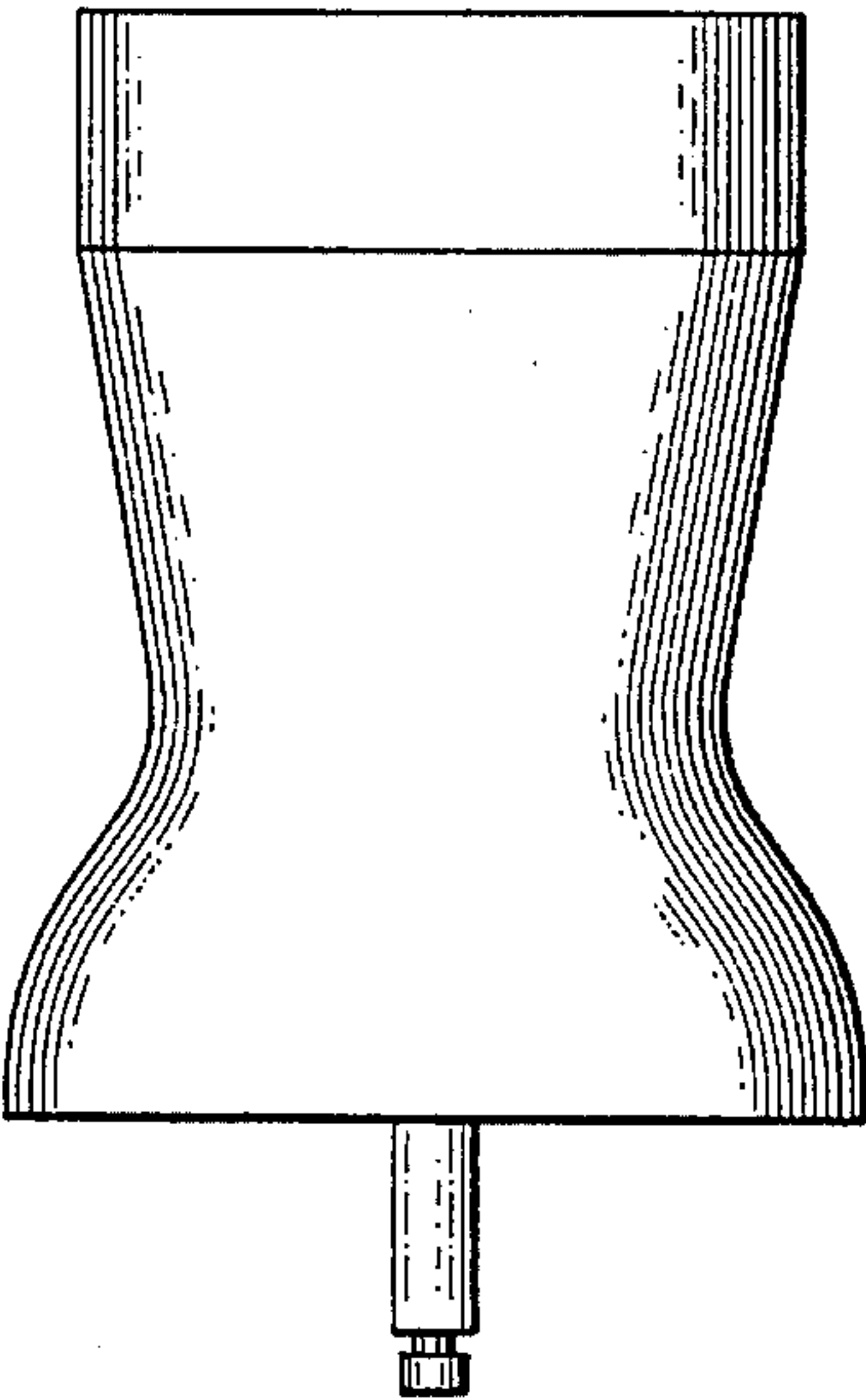


Fig. 2

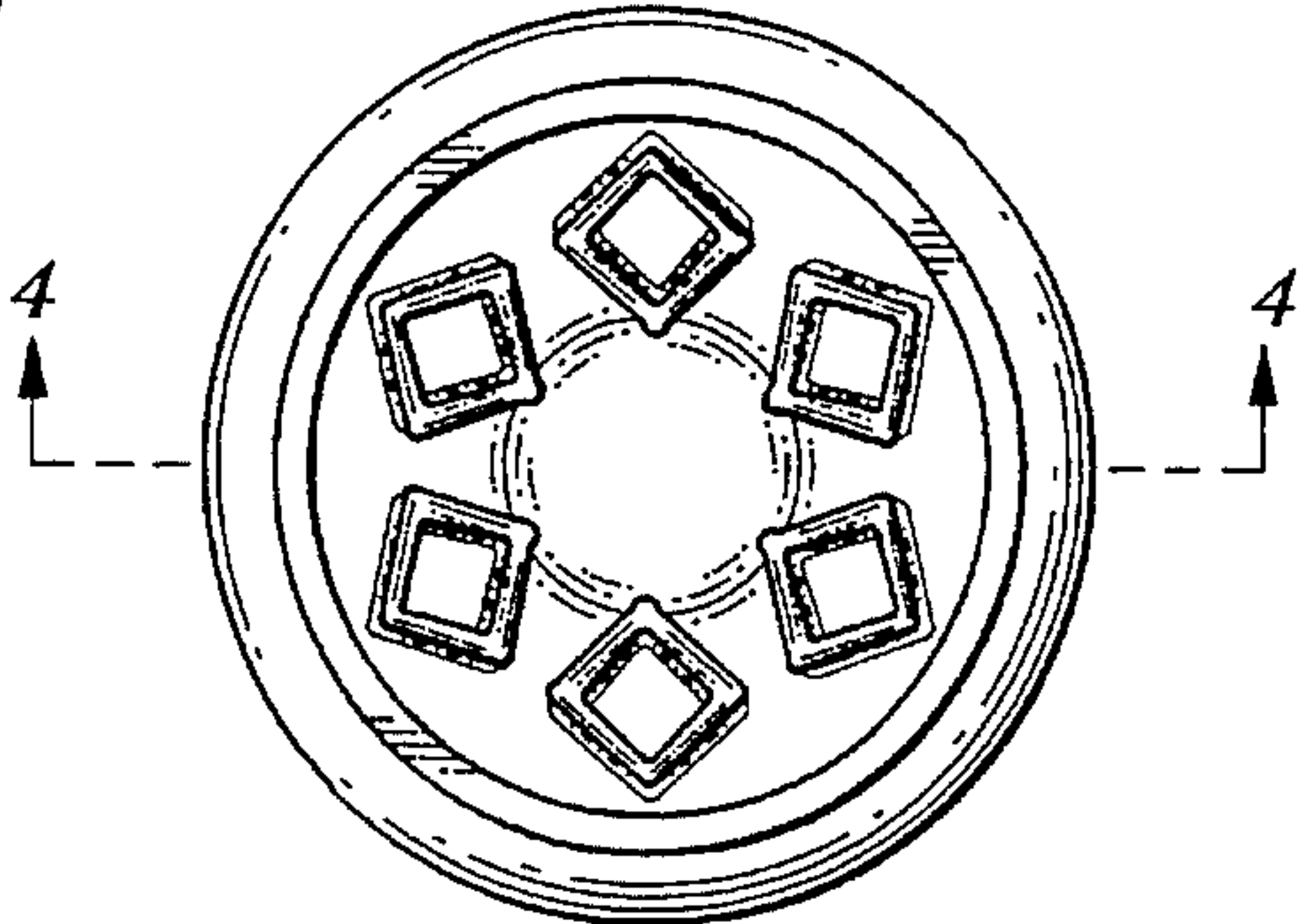


Fig. 3

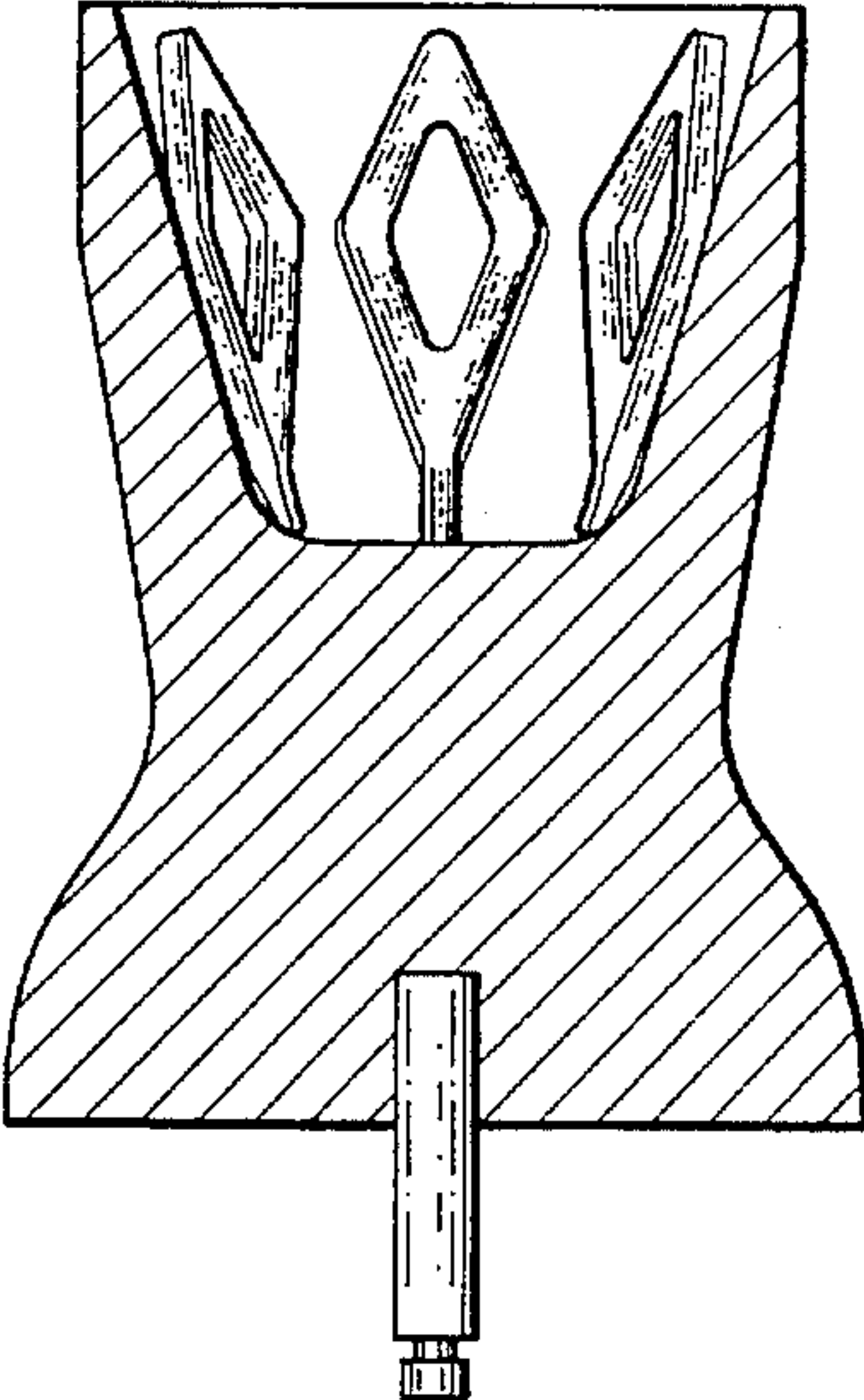


Fig. 4

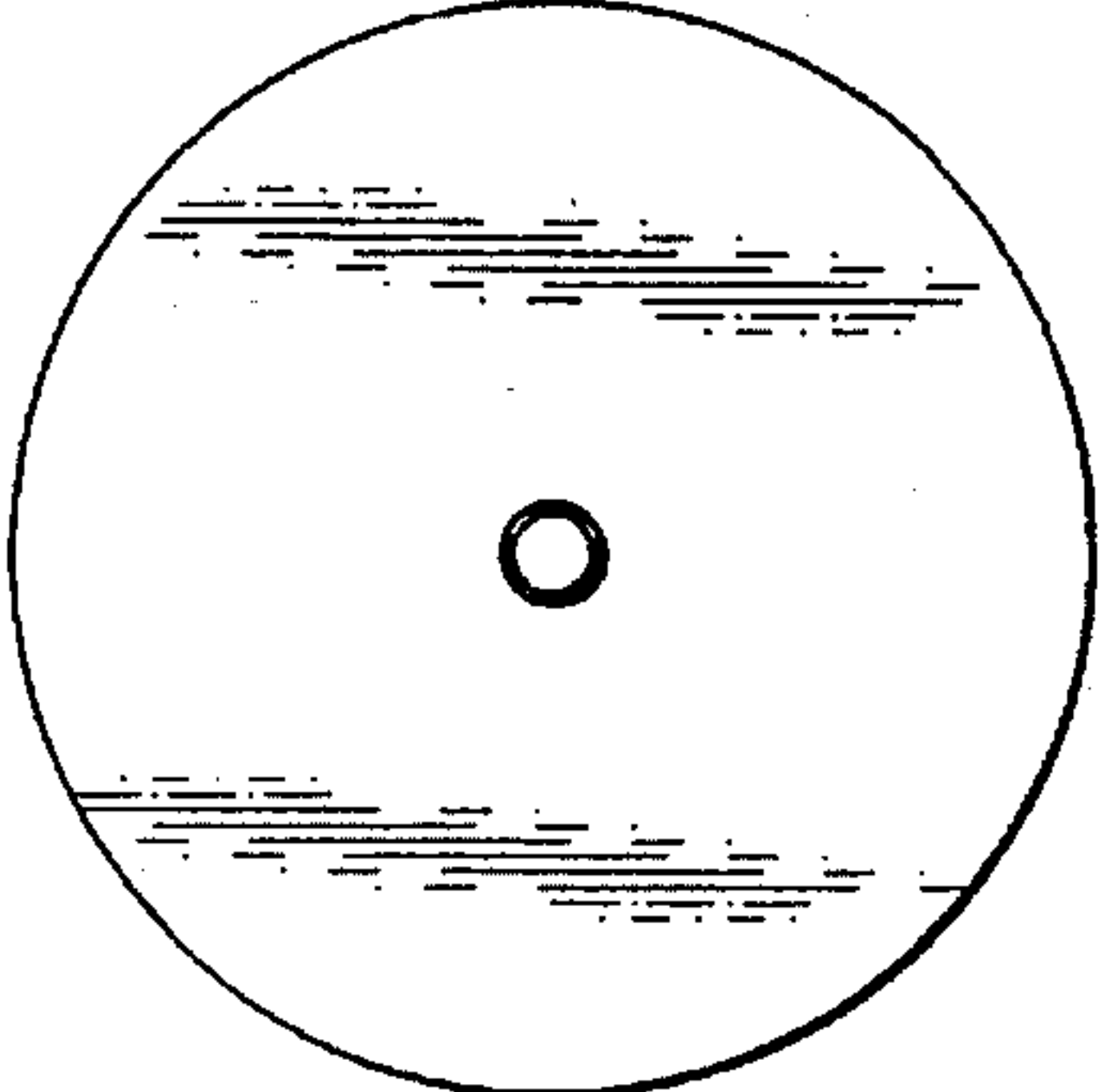


Fig. 5

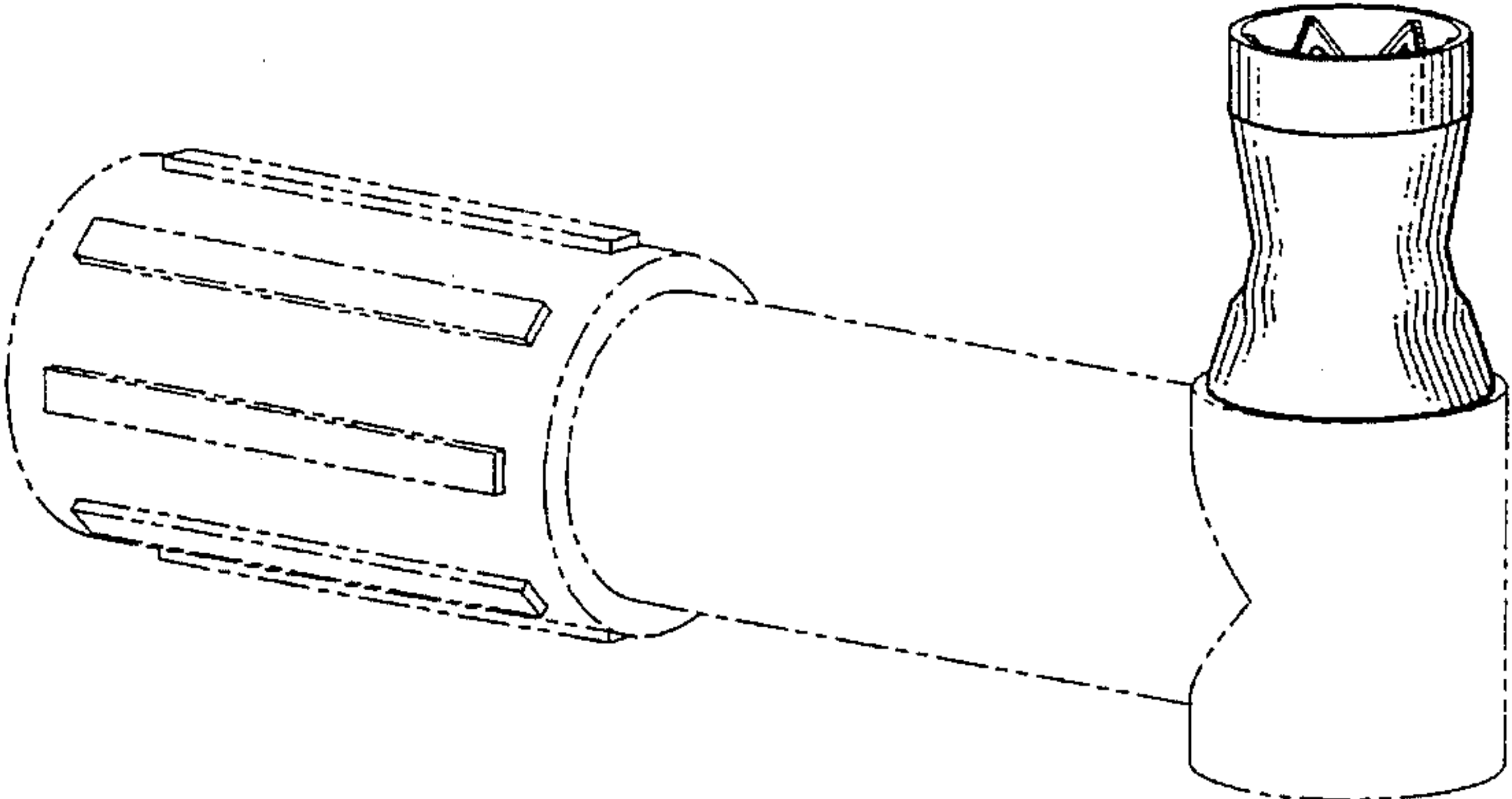


Fig. 6