



US00D368961S

United States Patent [19]

Himbert et al.

[11] Patent Number: Des. 368,961

[45] Date of Patent: **Apr. 16, 1996

[54] MULTIPLE DOSE INJECTOR

[75] Inventors: Hans O. Himbert; Carl-Göran Crafoord, both of Bromma, Sweden

[73] Assignee: Pharmacia AB, Stockholm, Sweden

[**] Term: 14 Years

[21] Appl. No.: 29,614

[22] Filed: Oct. 12, 1994

[52] U.S. Cl. D24/114; D24/112

[58] Field of Search D24/112, 114; 604/136, 134, 137, 156, 218, 198, 207, 211, 218, 208

[56] References Cited

U.S. PATENT DOCUMENTS

D. 323,030	1/1992	Ahlstrand et al.	D24/114
D. 330,079	10/1992	Dalling et al.	D24/114 X
D. 343,897	2/1994	Rand et al.	D24/112
4,968,299	11/1990	Ahlstrand et al.	D24/114 X
5,042,977	8/1991	Bechtold et al.	D24/112 X
5,279,586	1/1994	Balkwill	D24/114 X

Primary Examiner—Louis S. Zarfes
Assistant Examiner—I. Simmons

Attorney, Agent, or Firm—Young & Thompson

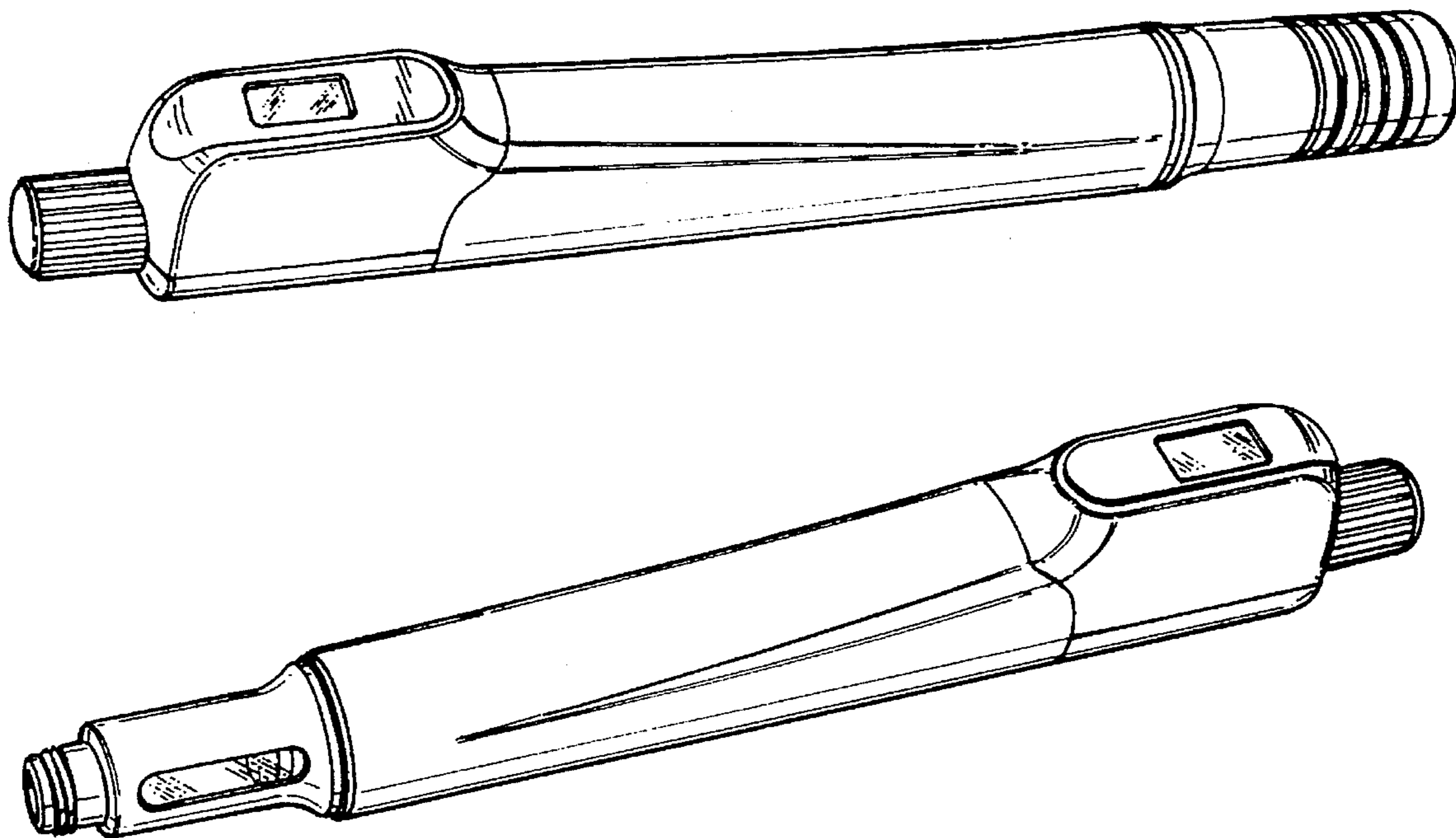
[57] CLAIM

The ornamental design for a multiple dose injector, as shown and described.

DESCRIPTION

FIG. 1 is a top plan view of a multiple dose injector showing our new design;
 FIG. 2 is a side elevational view thereof, the opposite side thereof is identical thereto;
 FIG. 3 is a bottom plan view thereof;
 FIG. 4 is a rear elevational view thereof;
 FIG. 5 is a front elevational view thereof;
 FIG. 6 is a top plan view thereof with the cap removed;
 FIG. 7 is a side elevational view thereof, the opposite side thereof is identical thereto;
 FIG. 8 is a bottom plan view thereof;
 FIG. 9 is a rear elevational view thereof;
 FIG. 10 is a front elevational view thereof;
 FIG. 11 is a rear and side perspective view of a multiple dose injector with a cap attached thereto; and,
 FIG. 12 is a front and side perspective view of a multiple dose injector with the cap removed.

1 Claim, 4 Drawing Sheets



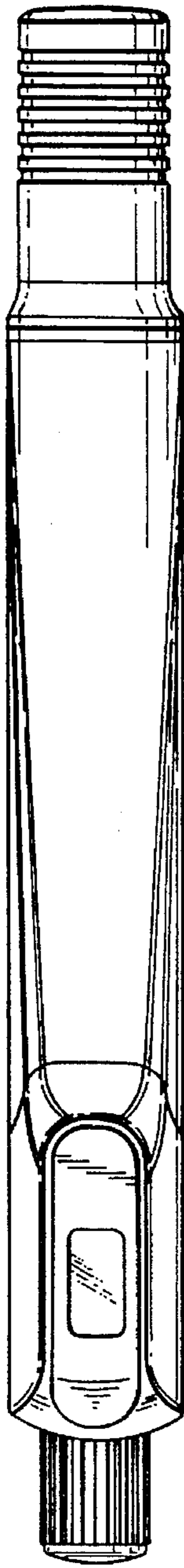


FIG. 1

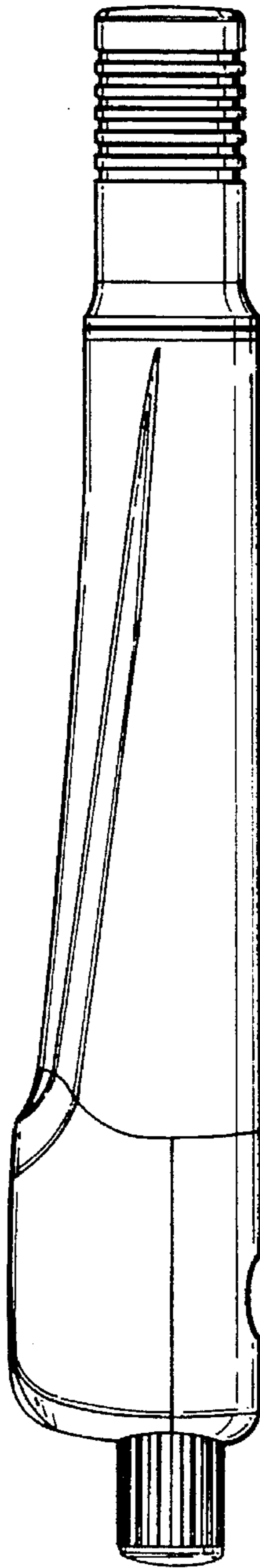


FIG. 2

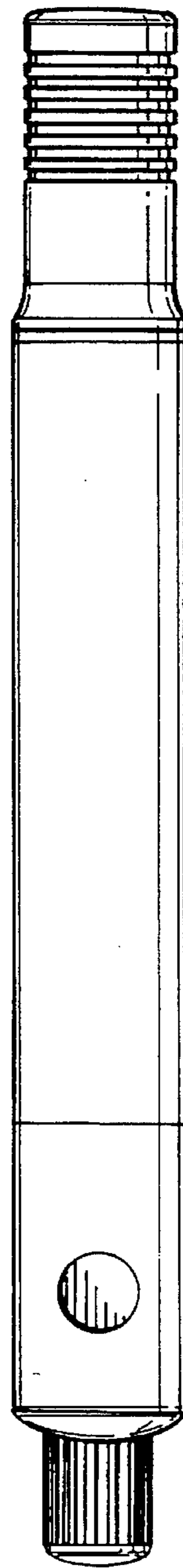


FIG. 3

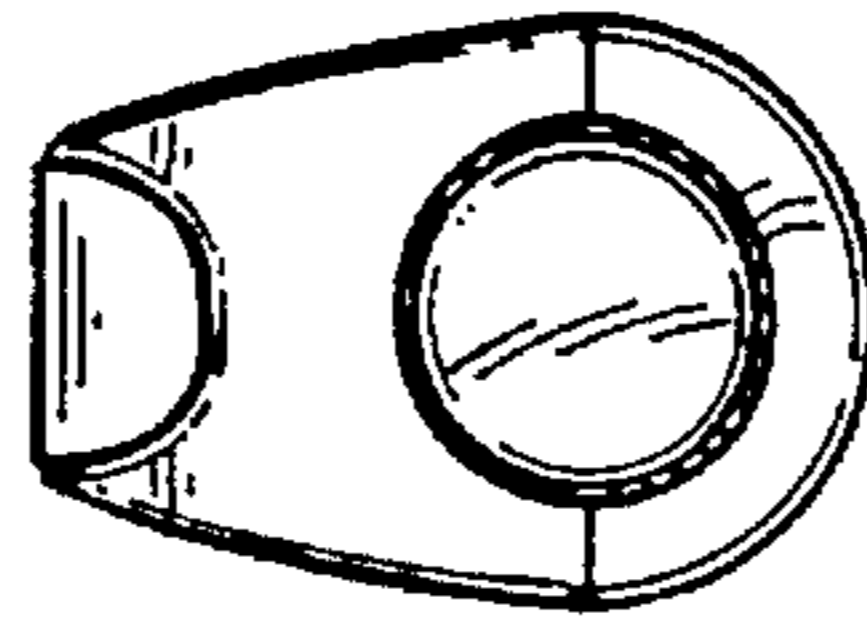


FIG. 4

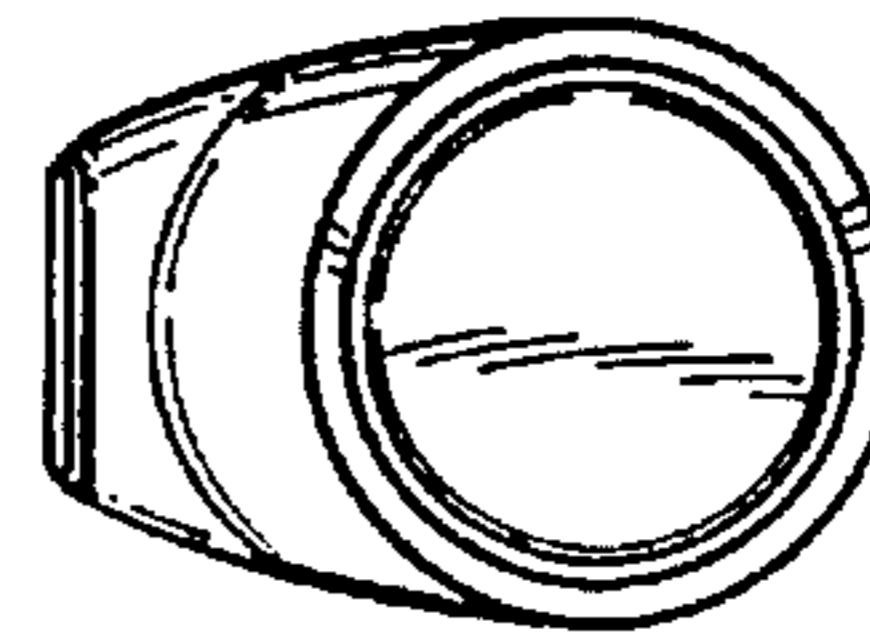


FIG. 5

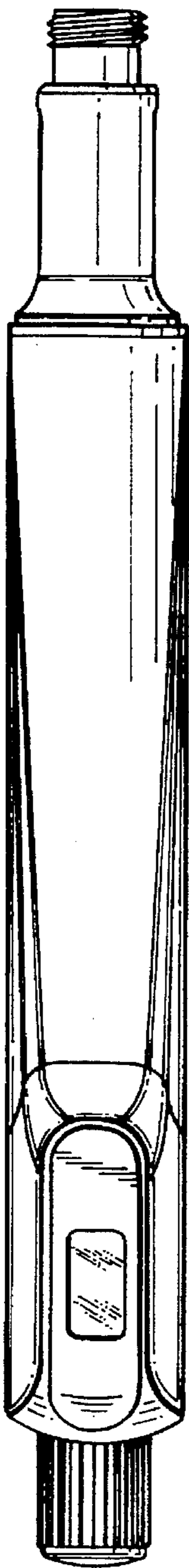


FIG. 6

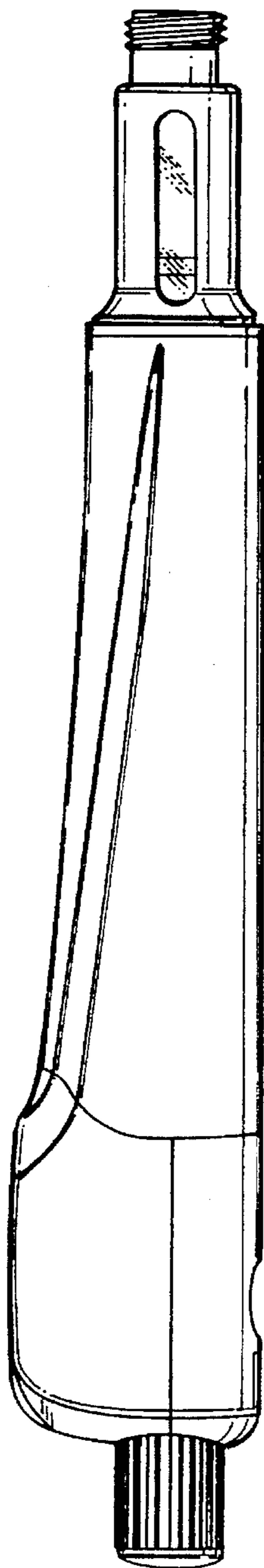


FIG. 7

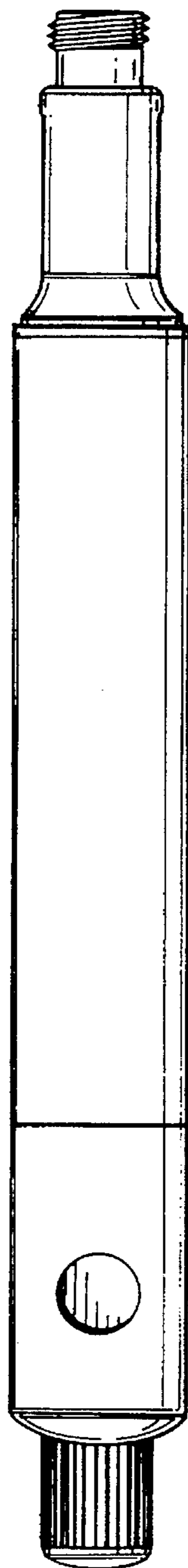


FIG. 8

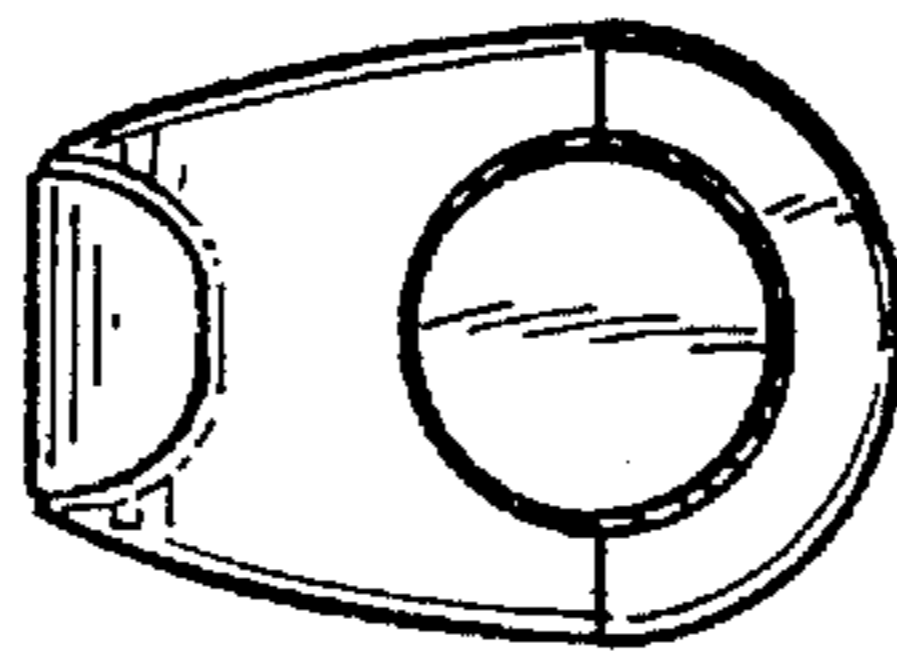


FIG. 9

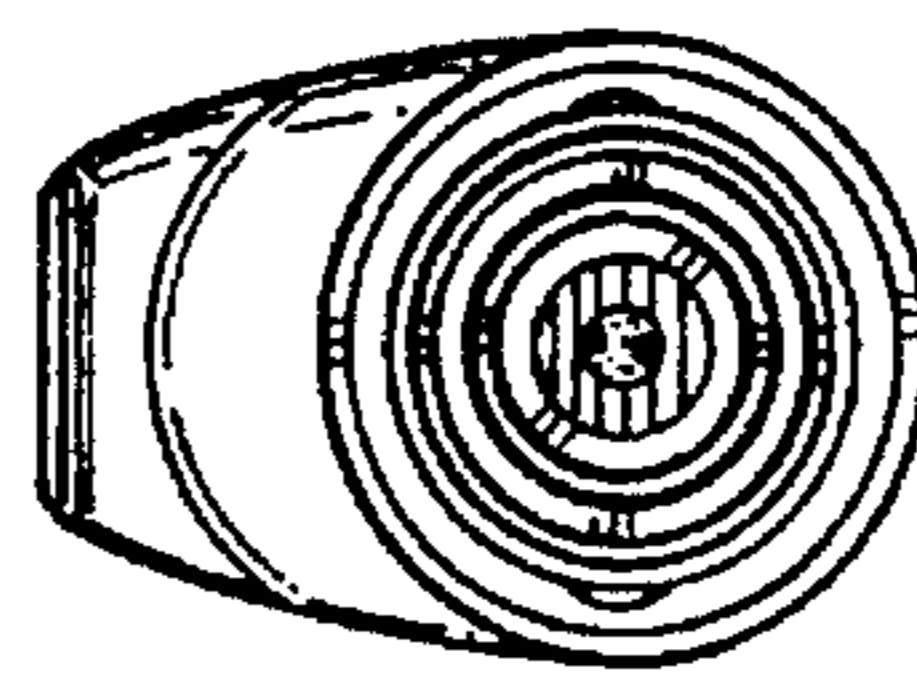


FIG. 10

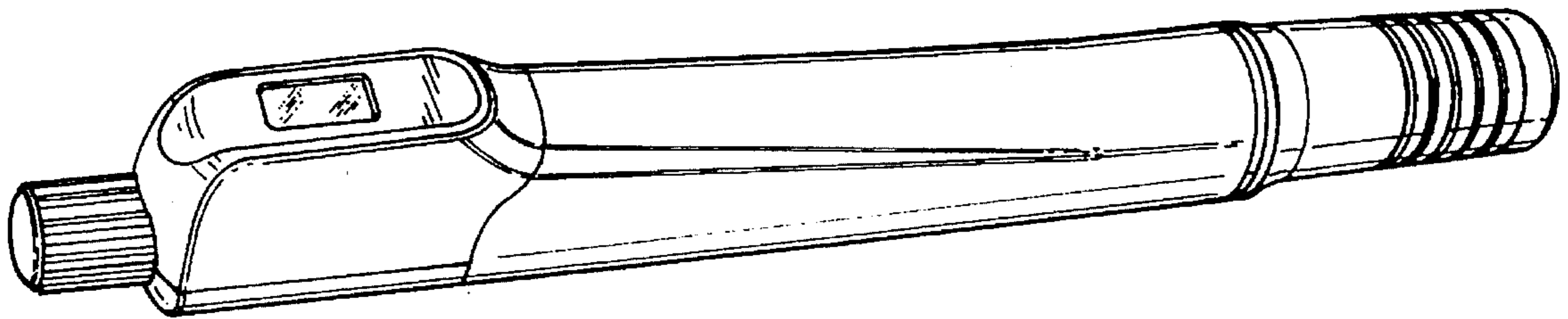


FIG. 11

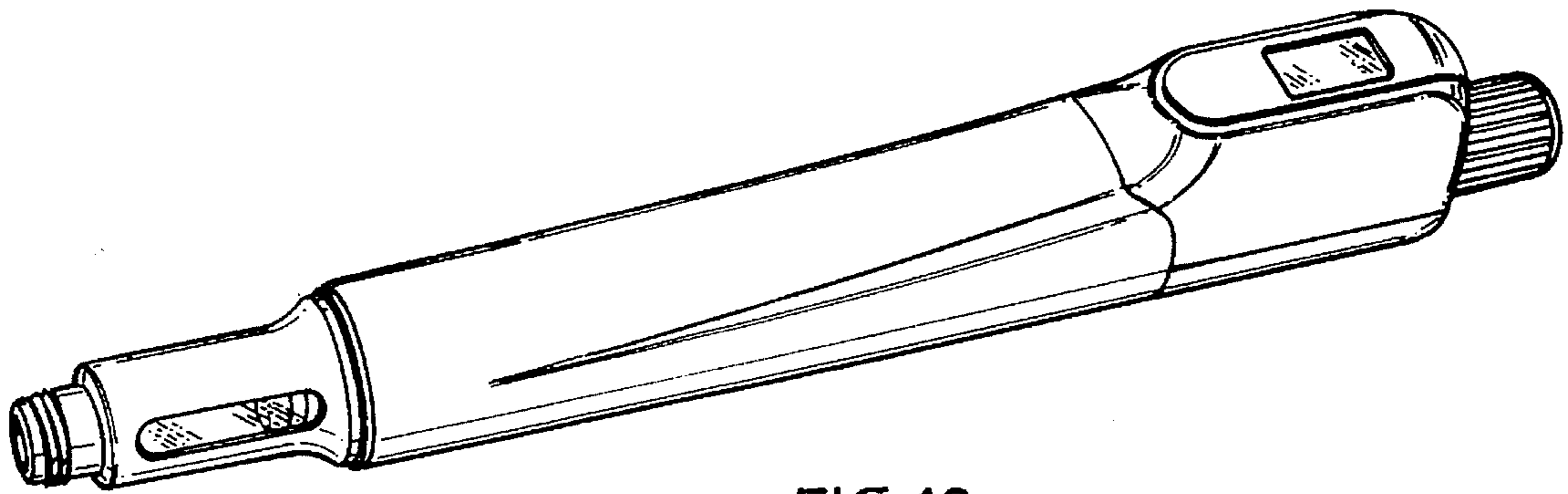


FIG.12