



US00D368956S

United States Patent [19]

Haug et al.

[11] Patent Number: **Des. 368,956**

[45] Date of Patent: ***** Apr. 16, 1996**

[54] FAUCET BODY AND SPOUT

[75] Inventors: **Andreas Haug**, Stuttgart, Germany;
Loran R. Hill, Indianapolis, Ind.;
Thomas W. Schonherr, Stuttgart,
Germany; **Anthony G. Spangler**,
Sheridan, Ind.

[73] Assignee: **Masco Corporation of Indiana**, Taylor,
Mich.

[*] Notice: The portion of the term of this patent
subsequent to Nov. 14, 2009, has been
disclaimed.

[**] Term: **14 Years**

[21] Appl. No.: **14,880**

[22] Filed: **Nov. 2, 1993**

[52] U.S. Cl. **D23/238**

[58] Field of Search D23/238-243,
D23/250-258; 4/675, 676, 677, 678; 137/801

[56] **References Cited**

U.S. PATENT DOCUMENTS

- D. 140,557 3/1945 Stanitz .
- D. 193,885 10/1962 Andrews .
- D. 197,000 11/1963 Landell .
- D. 203,246 12/1965 Harvey et al. .
- D. 213,874 4/1969 Landell D23/238
- D. 219,779 1/1971 Tiller .
- D. 253,799 1/1980 Saporito et al. .
- D. 288,837 3/1987 Yost D23/243
- D. 297,357 8/1988 Spangler .

- D. 297,358 8/1988 Hill .
- 3,035,612 4/1958 Lyon .
- 3,202,181 8/1965 West D23/238 X
- 4,804,010 2/1989 Meissenburg 4/675 X

OTHER PUBLICATIONS

Sweet's Catalog File (1977), Faucet LK-2461.
Delta HDF Commercial Products Catalog.
Delta Full Line Catalog-The way water is brought to life.

Primary Examiner—Louis S. Zarfes
Assistant Examiner—Eric Watterson
Attorney, Agent, or Firm—Myron B. Kapustij; Malcolm L.
Sutherland

[57] **CLAIM**

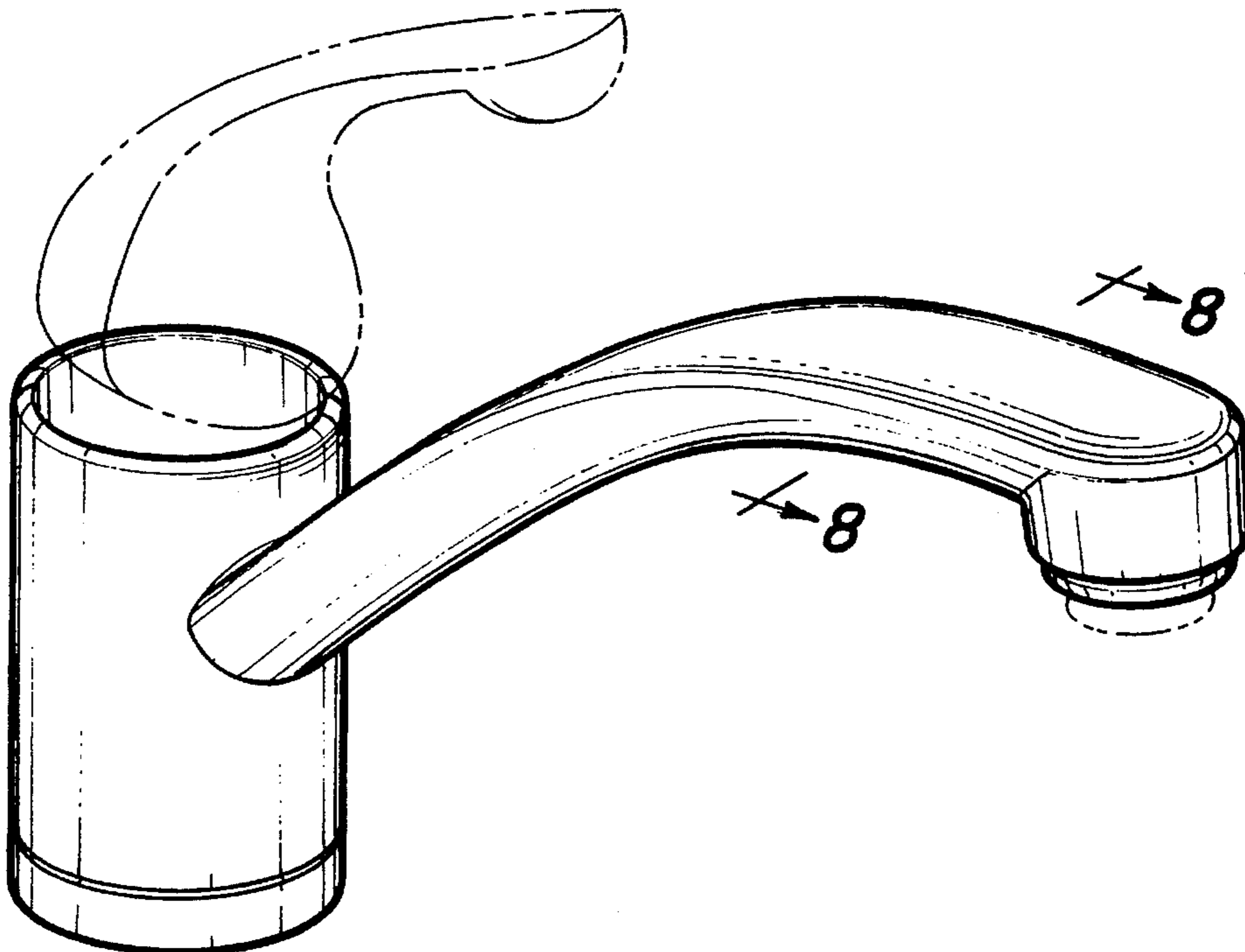
The ornamental design for a faucet body and spout, as
shown and described.

DESCRIPTION

FIG. 1 is a front perspective view of a faucet body and spout
showing our new design;
FIG. 2 is a rear perspective view thereof;
FIG. 3 is a top plan view thereof;
FIG. 4 is a front elevational view thereof;
FIG. 5 is a left side elevational view thereof;
FIG. 6 is a right side elevational view thereof;
FIG. 7 is a rear elevational view thereof; and,
FIG. 8 is a cross-sectional view of the spout of the faucet
taken along line 8—8 in FIG. 1.

The broken line showings of an aerator, handle in FIG. 1 are
for purposes of illustration only and form no part of the
claimed design.

1 Claim, 4 Drawing Sheets



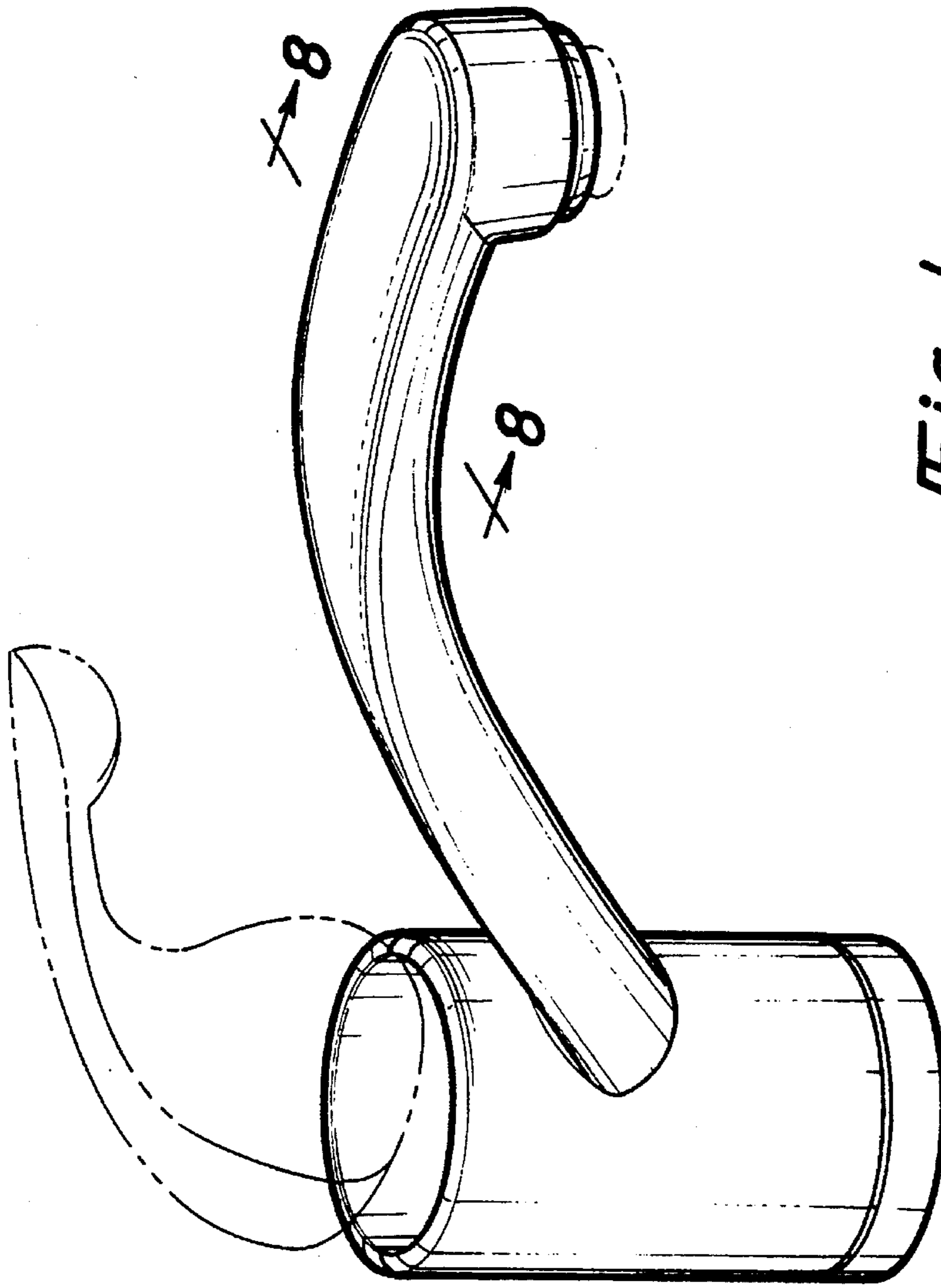


Fig-1

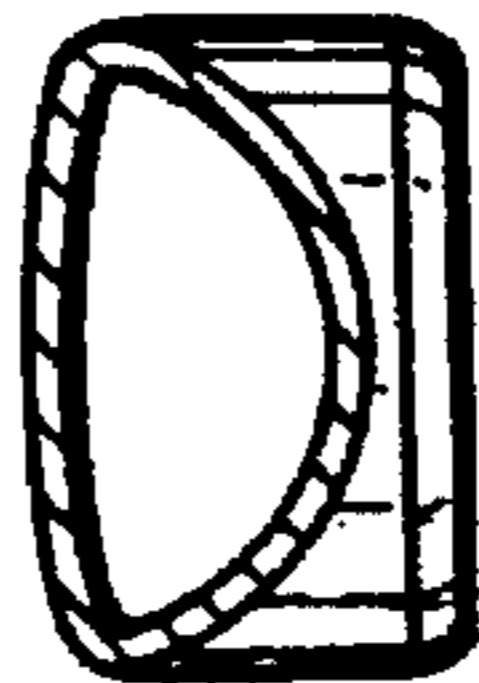


Fig-8

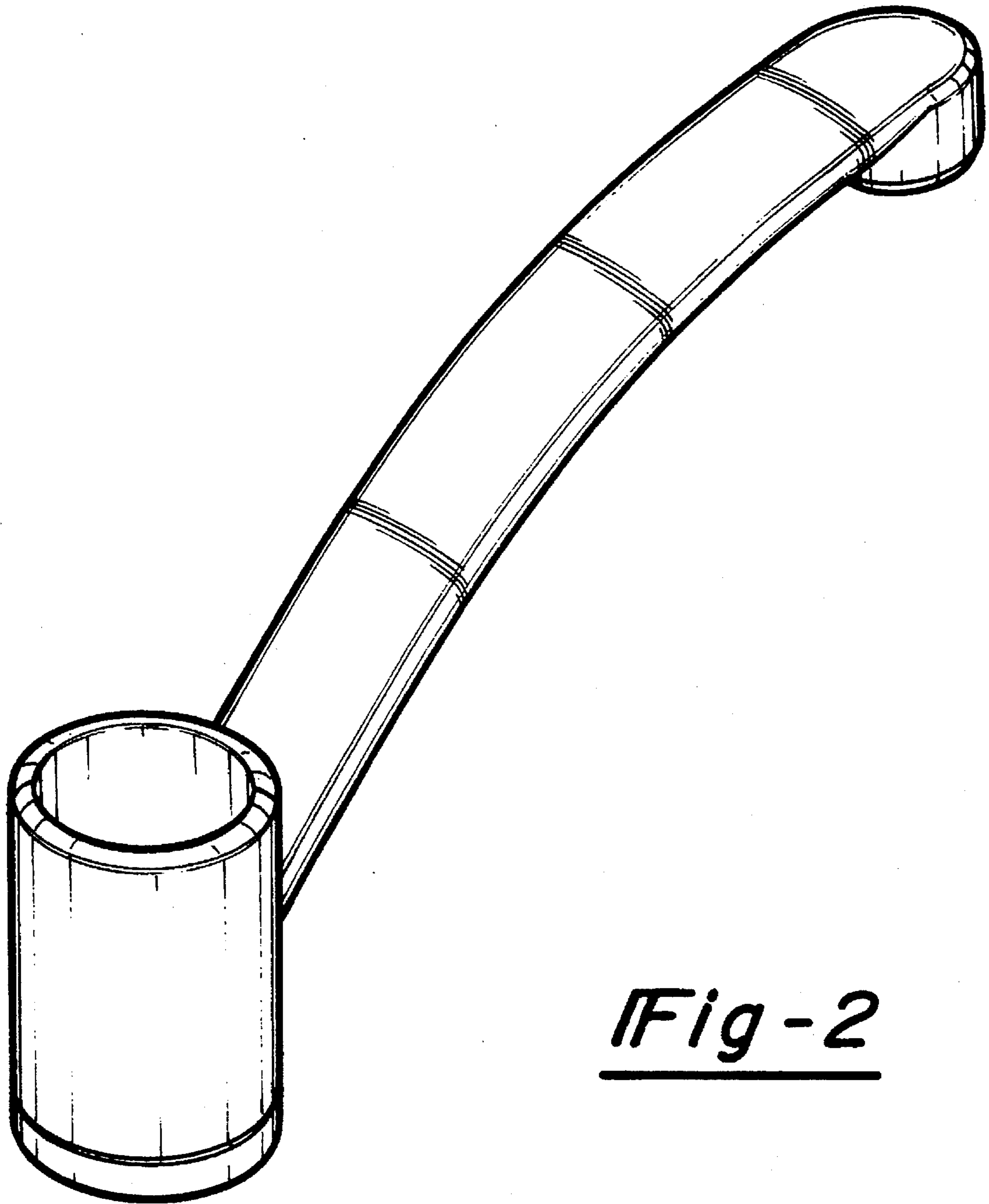


Fig - 2

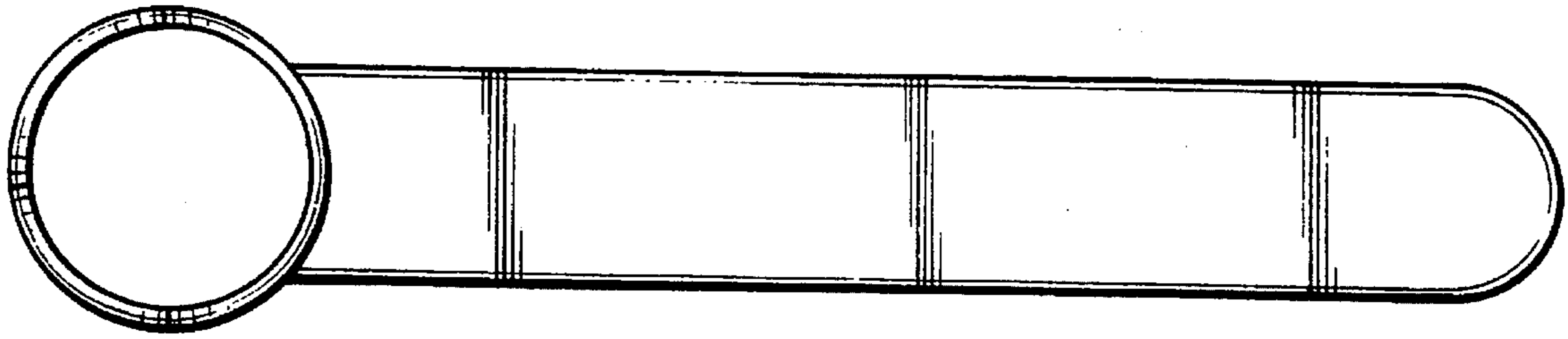


Fig-3

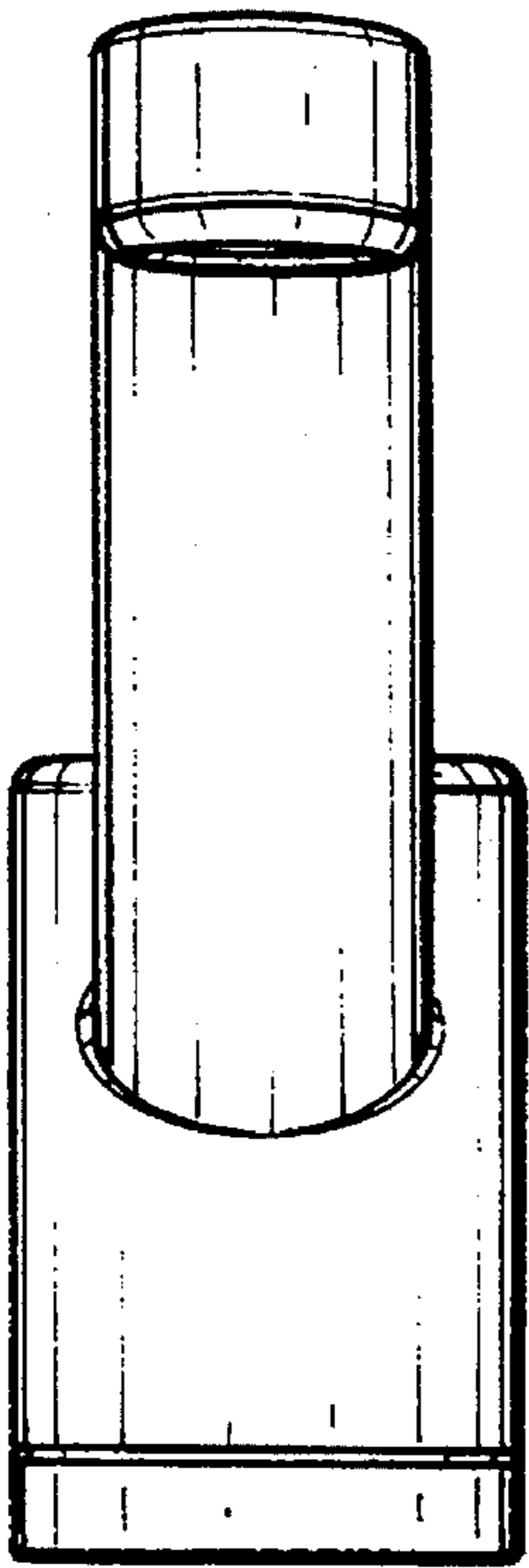


Fig-4

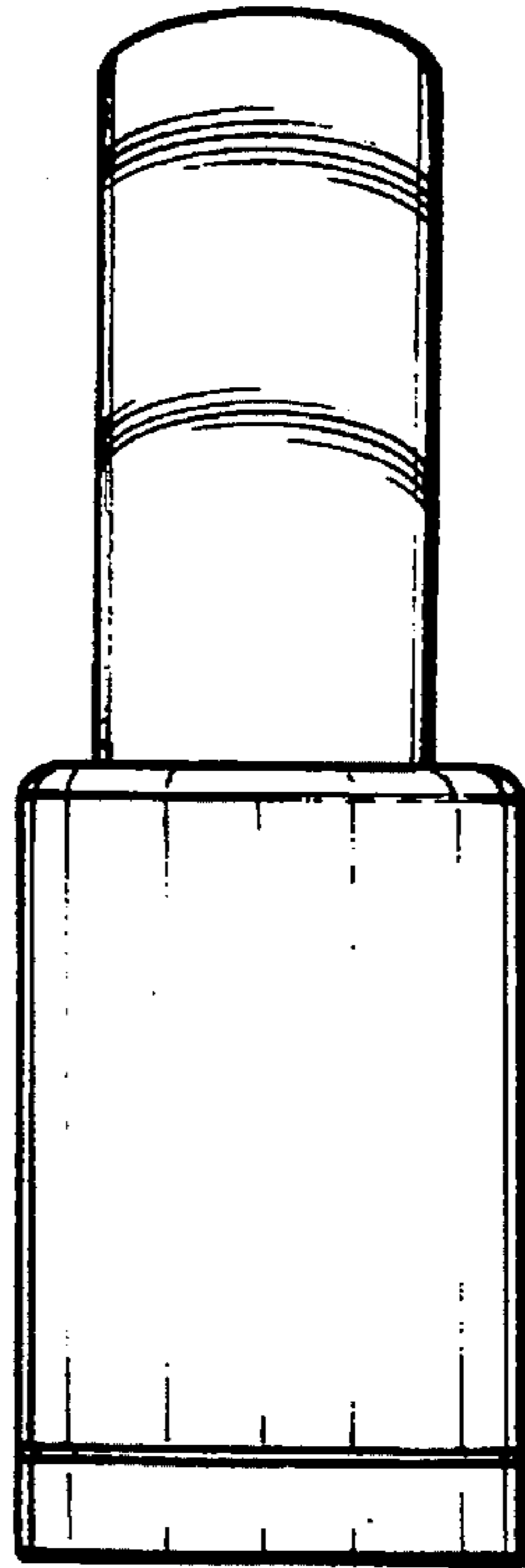


Fig-7

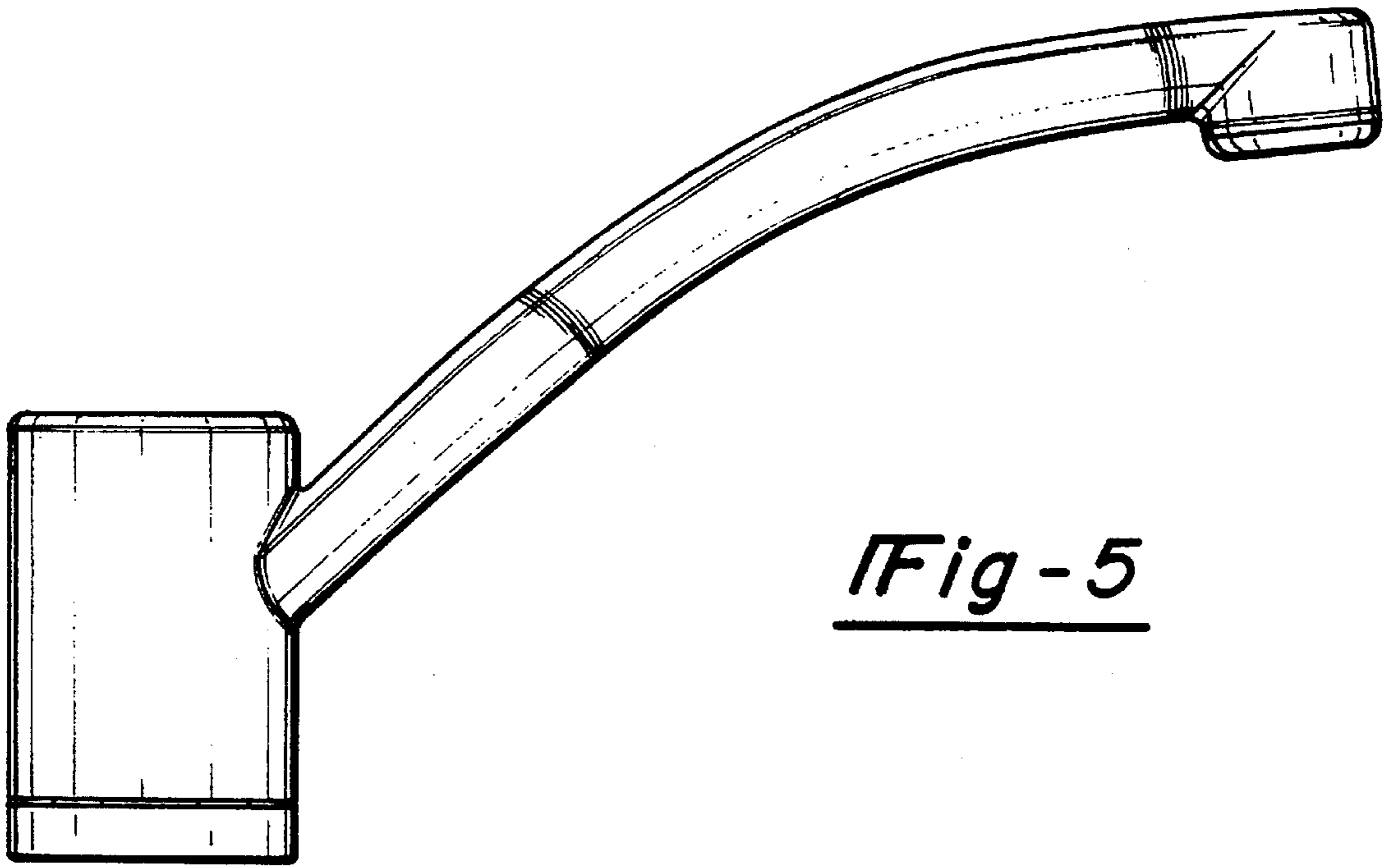


Fig-5

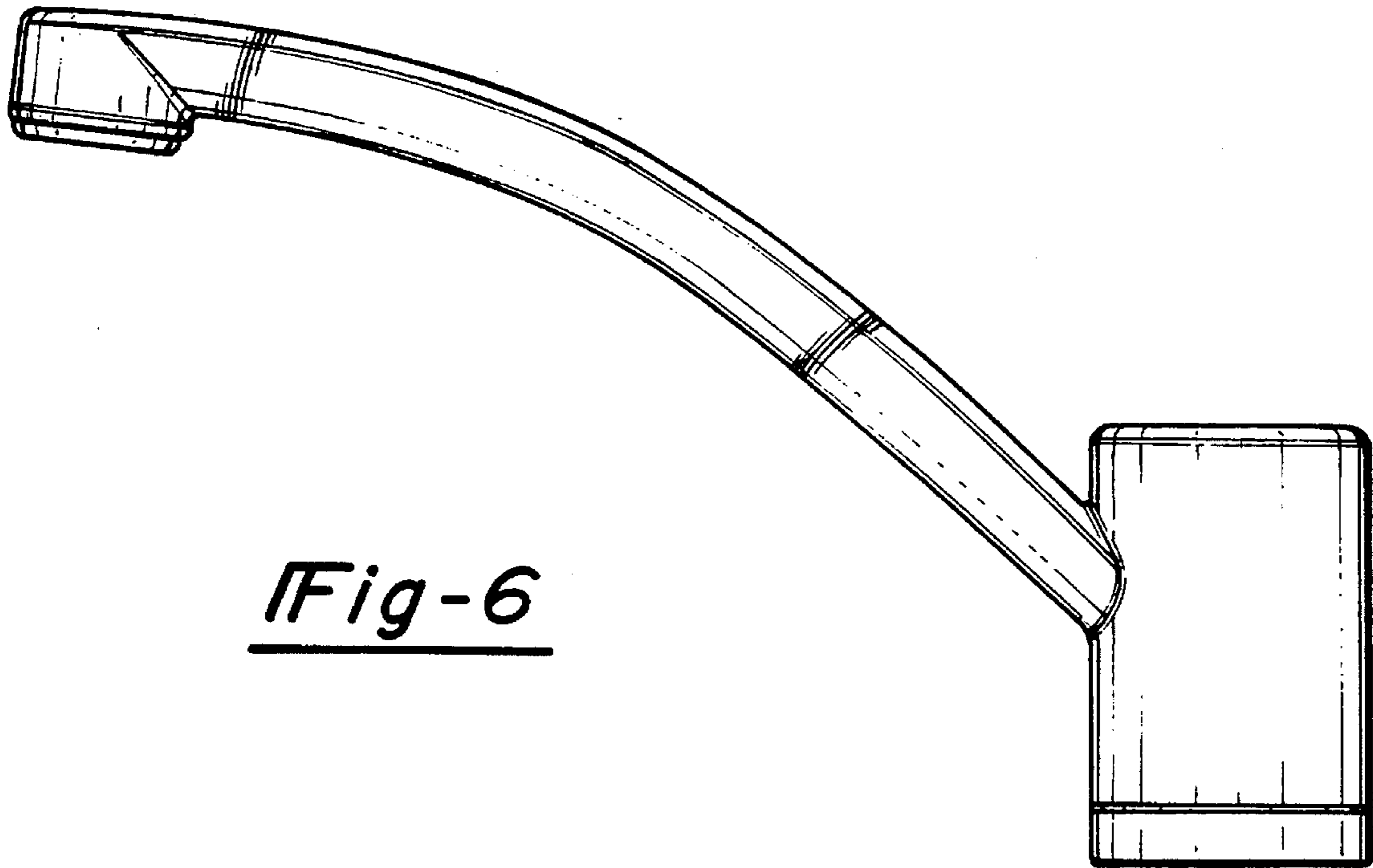


Fig-6