



US00D368955S

United States Patent [19]
Robbins

[11] **Patent Number:** **Des. 368,955**

[45] **Date of Patent:** ****Apr. 16, 1996**

[54] **BAIT CAST FISHING REEL**

[75] **Inventor:** **Richard J. Robbins**, Derby, Kans.

[73] **Assignee:** **Zebco Corporation**, Tulsa, Okla.

[**] **Term:** **14 Years**

[21] **Appl. No.:** **913,872**

[22] **Filed:** **Jul. 15, 1992**

[52] **U.S. Cl.** **D22/140**

[58] **Field of Search** **D22/140, 141;**
242/257, 258, 259, 260, 261, 262, 279

[56] **References Cited**

U.S. PATENT DOCUMENTS

D. 299,511	1/1989	Kameda et al.	D22/140
D. 300,166	3/1989	Myojo	D22/140
D. 315,011	2/1991	Kameda et al.	D22/140

OTHER PUBLICATIONS

Cabela's 1991 Spring p. 25: Shimano Chronarch; Citica and Coriolis.

Primary Examiner—Doris V. Coles

Attorney, Agent, or Firm—Wood, Phillips, VanSanten, Clark & Mortimer

[57] **CLAIM**

The ornamental design for a bait cast fishing reel, as shown and described.

DESCRIPTION

FIG. 1 is a right side elevation view of a bait cast fishing reel showing my new design;

FIG. 2 is a left side elevation view thereof;

FIG. 3 is a top plan view thereof;

FIG. 4 is a bottom view thereof;

FIG. 5 is a front view thereof; and,

FIG. 6 is a rear view thereof.

1 Claim, 2 Drawing Sheets

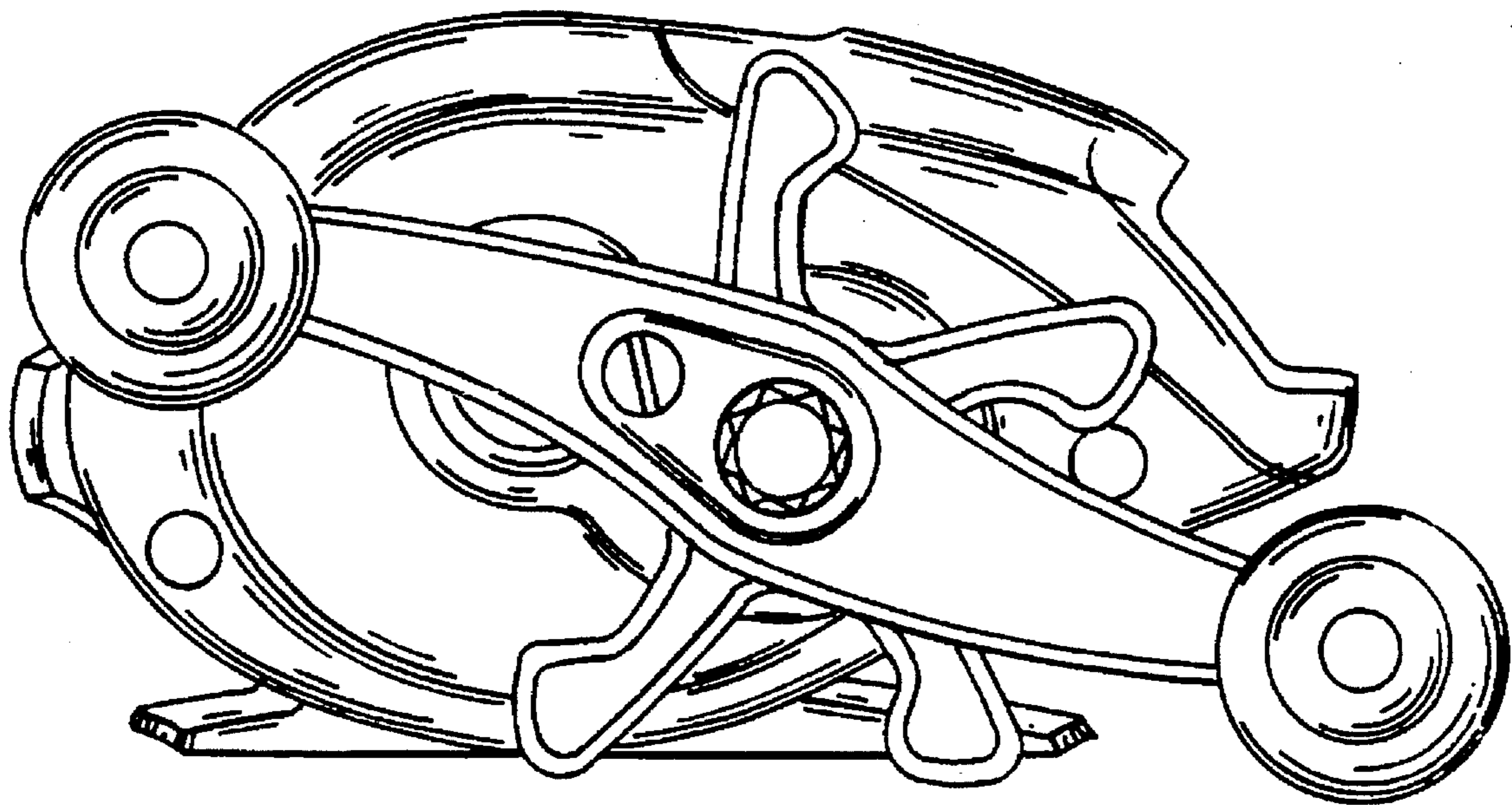


FIG. 1

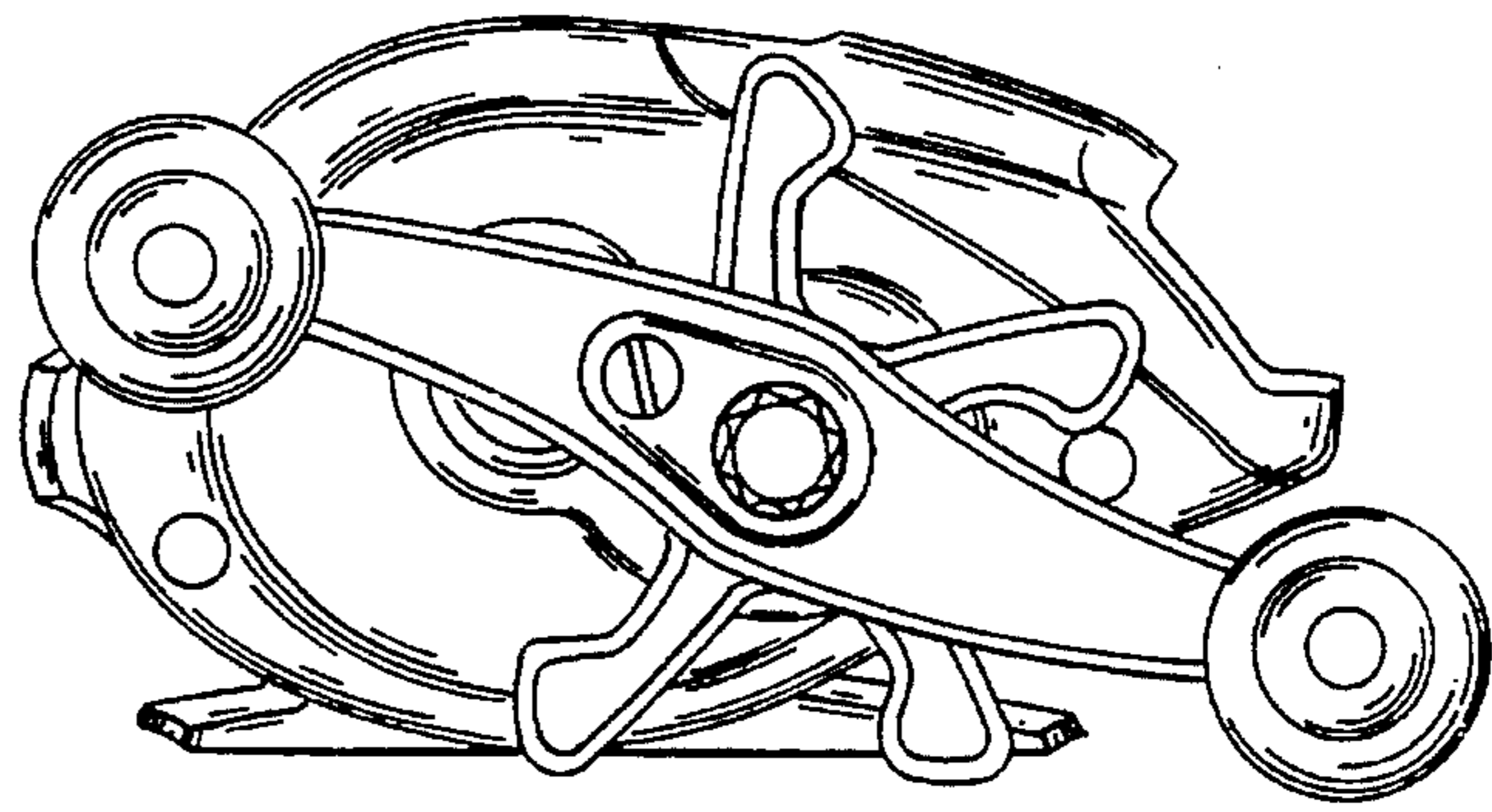


FIG. 2

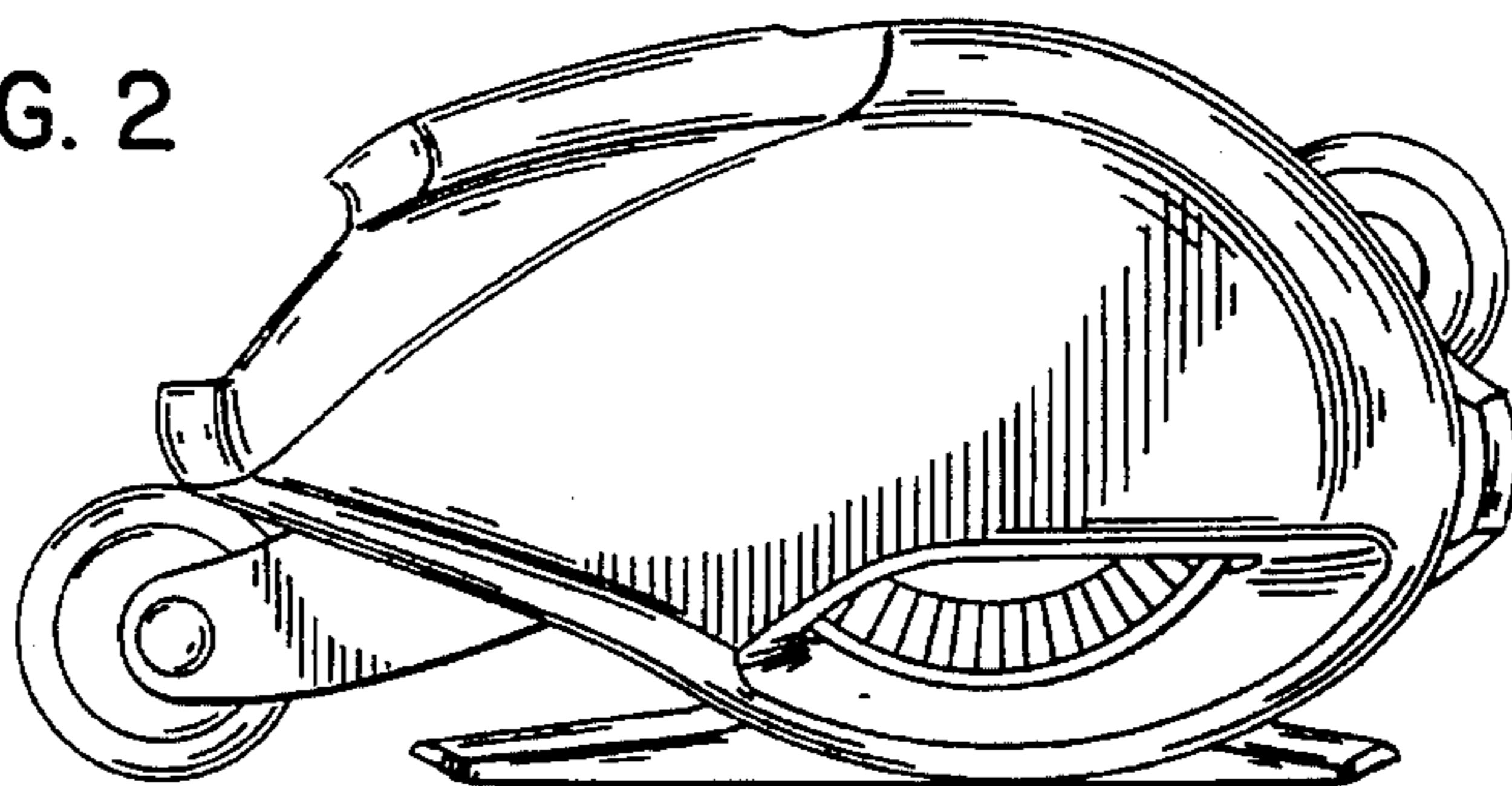
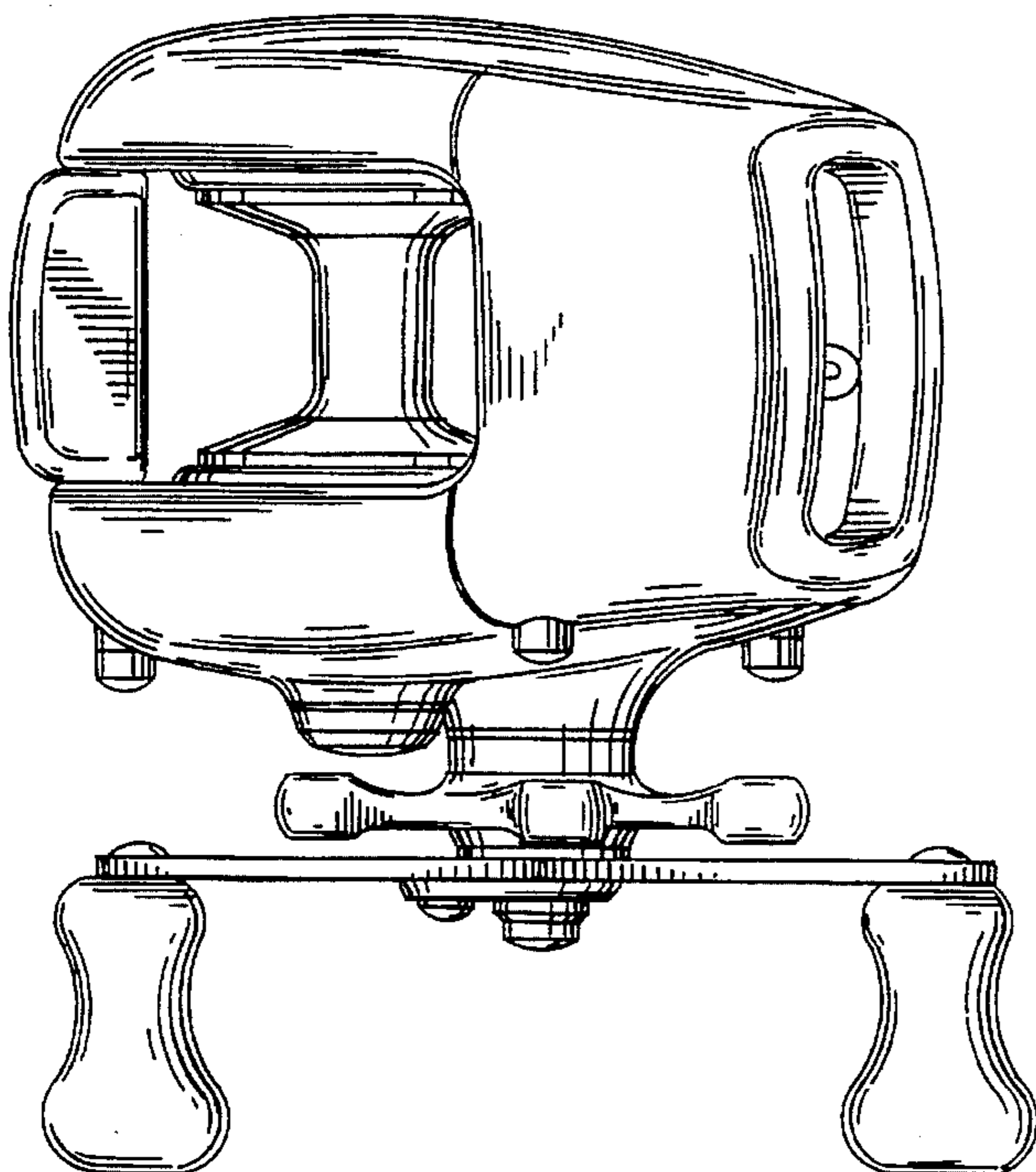


FIG. 3



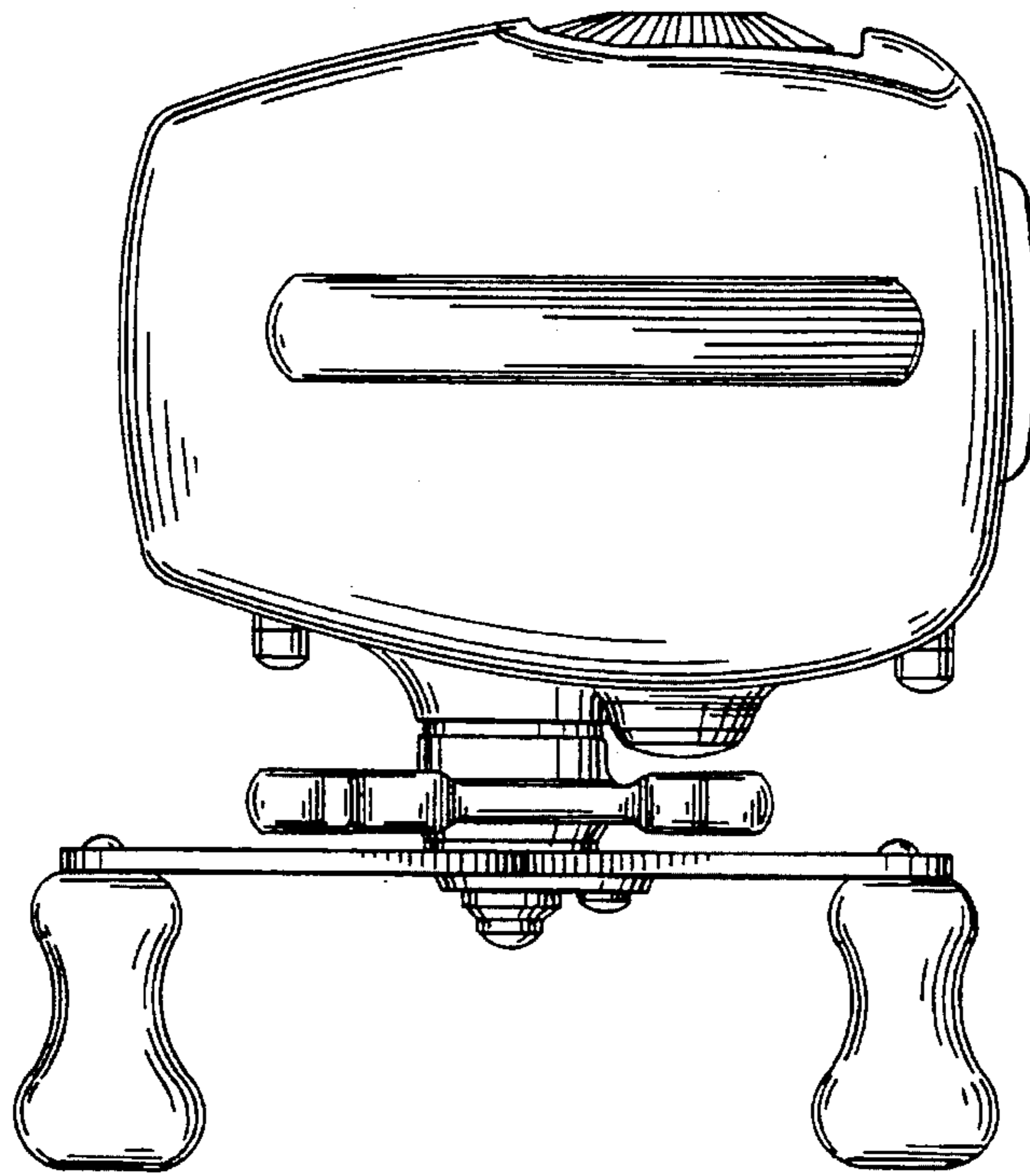


FIG. 4

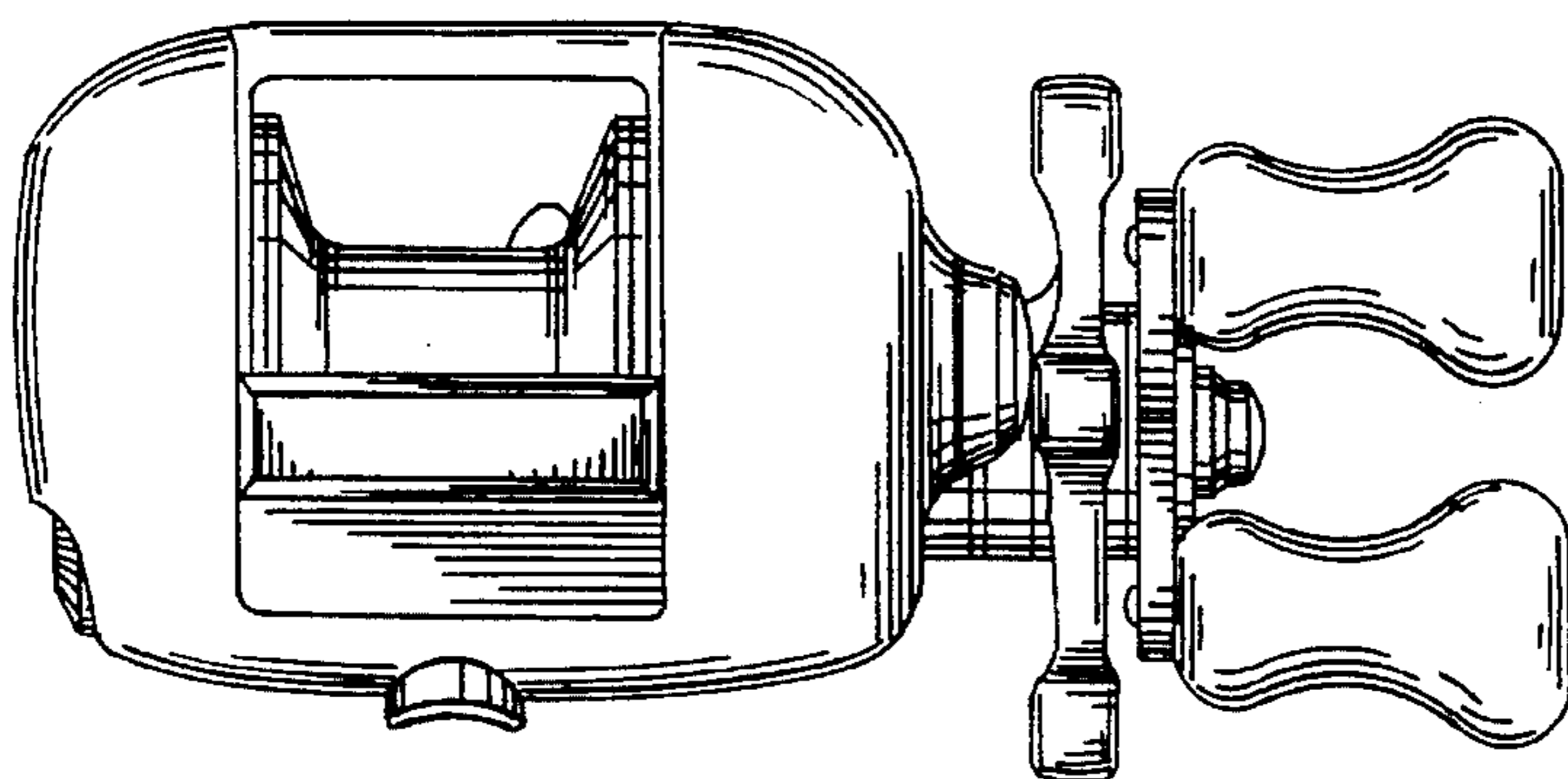


FIG. 5

FIG. 6

