



US00D368944S

United States Patent [19]
Stites

[11] **Patent Number: Des. 368,944**

[45] **Date of Patent: **Apr. 16, 1996**

[54] **GOLF CLUB HEAD**

[76] Inventor: **John T. Stites**, 7908 Hulen Park Cir.,
Fort Worth, Tex. 76123

[**] Term: **14 Years**

[21] Appl. No.: **26,060**

[22] Filed: **Jul. 18, 1994**

[52] U.S. Cl. **D21/217**

[58] Field of Search **D21/217-219;**
273/167-175

[56] **References Cited**

U.S. PATENT DOCUMENTS

D. 326,131	5/1992	Antonious	D21/217
4,984,799	1/1991	Finney	273/173 X
5,167,414	12/1992	Montgomery, III	273/169

OTHER PUBLICATIONS

Golf World; Jan. 15, 1988; p. 37; Putters top of pages.
Royal Golf; 1983; p. 3; Putter MP6230; center, left of page.

Primary Examiner—Ted Shooman

Assistant Examiner—Mitchell I. Siegel
Attorney, Agent, or Firm—Randall C. Brown; James F. Struthers; Locke Purnell Rain Harrell

[57] **CLAIM**

The ornamental design for a golf club head, as shown and described.

DESCRIPTION

FIG. 1 is a perspective view of the golf club head showing my new design;

FIG. 2 is a front elevational view thereof;

FIG. 3 is a right side elevational view thereof;

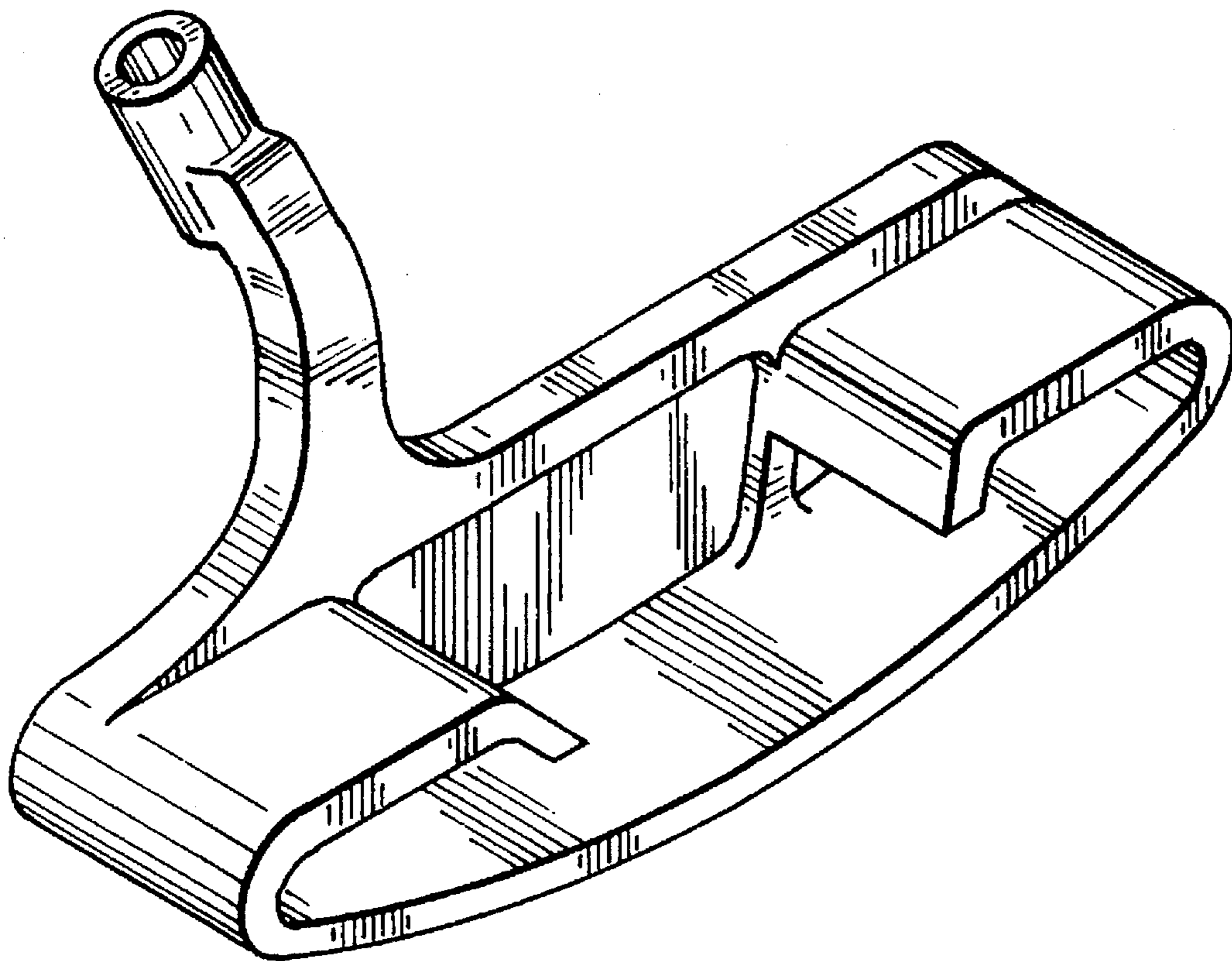
FIG. 4 is a rear elevational view;

FIG. 5 is a left side elevational view thereof;

FIG. 6 is a top plan view thereof; and,

FIG. 7 is a bottom plan view thereof.

1 Claim, 2 Drawing Sheets



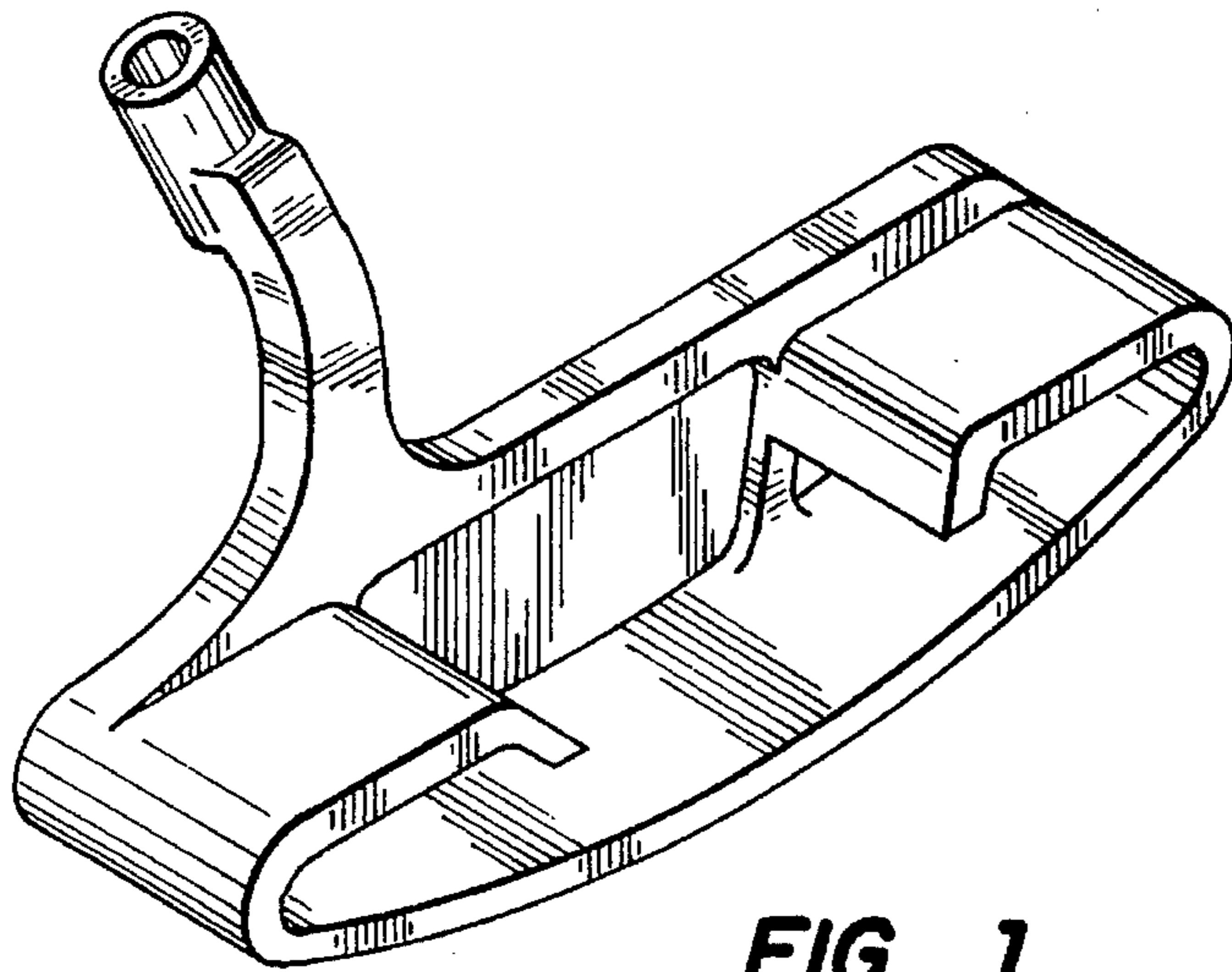


FIG. 1

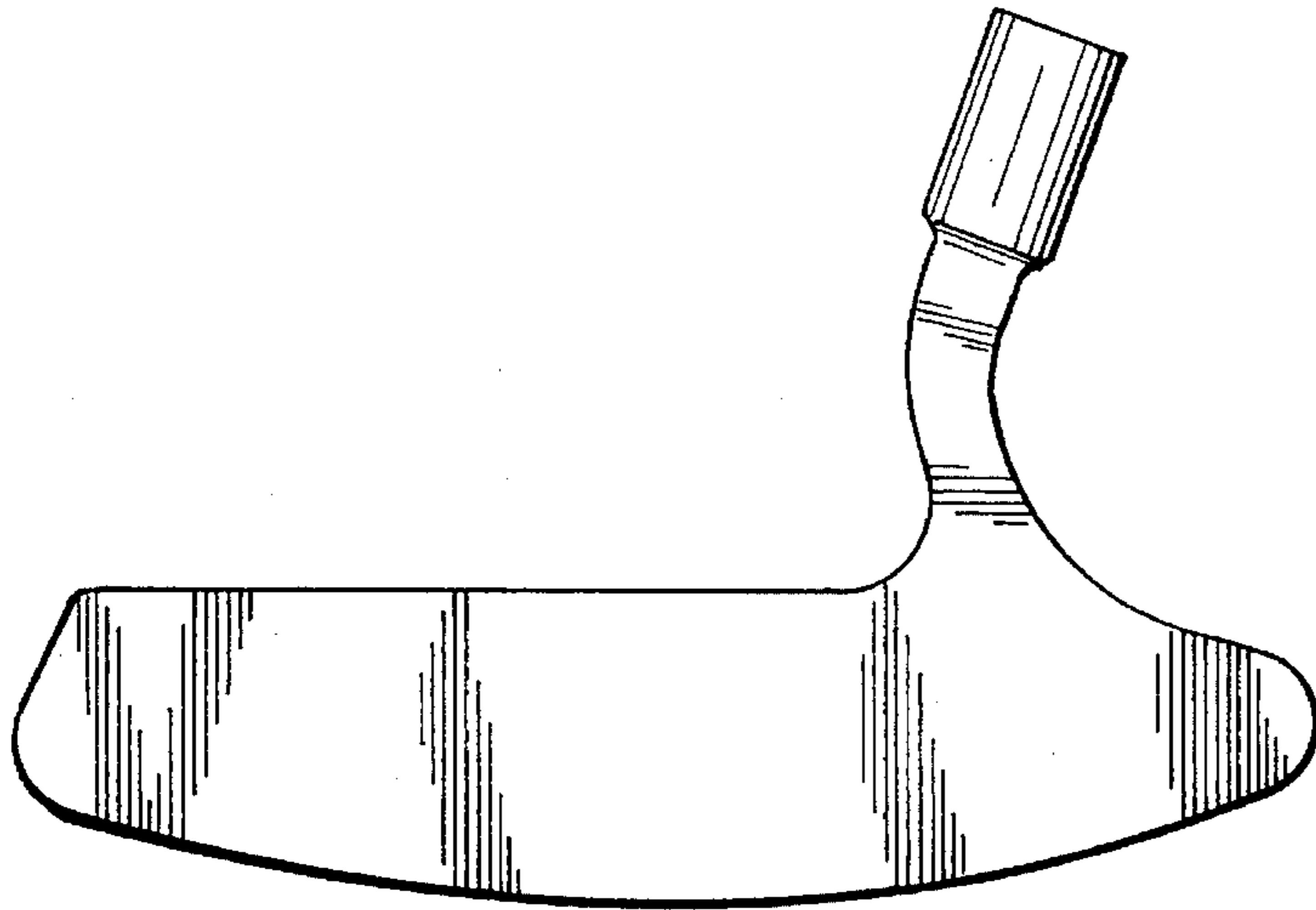


FIG. 2

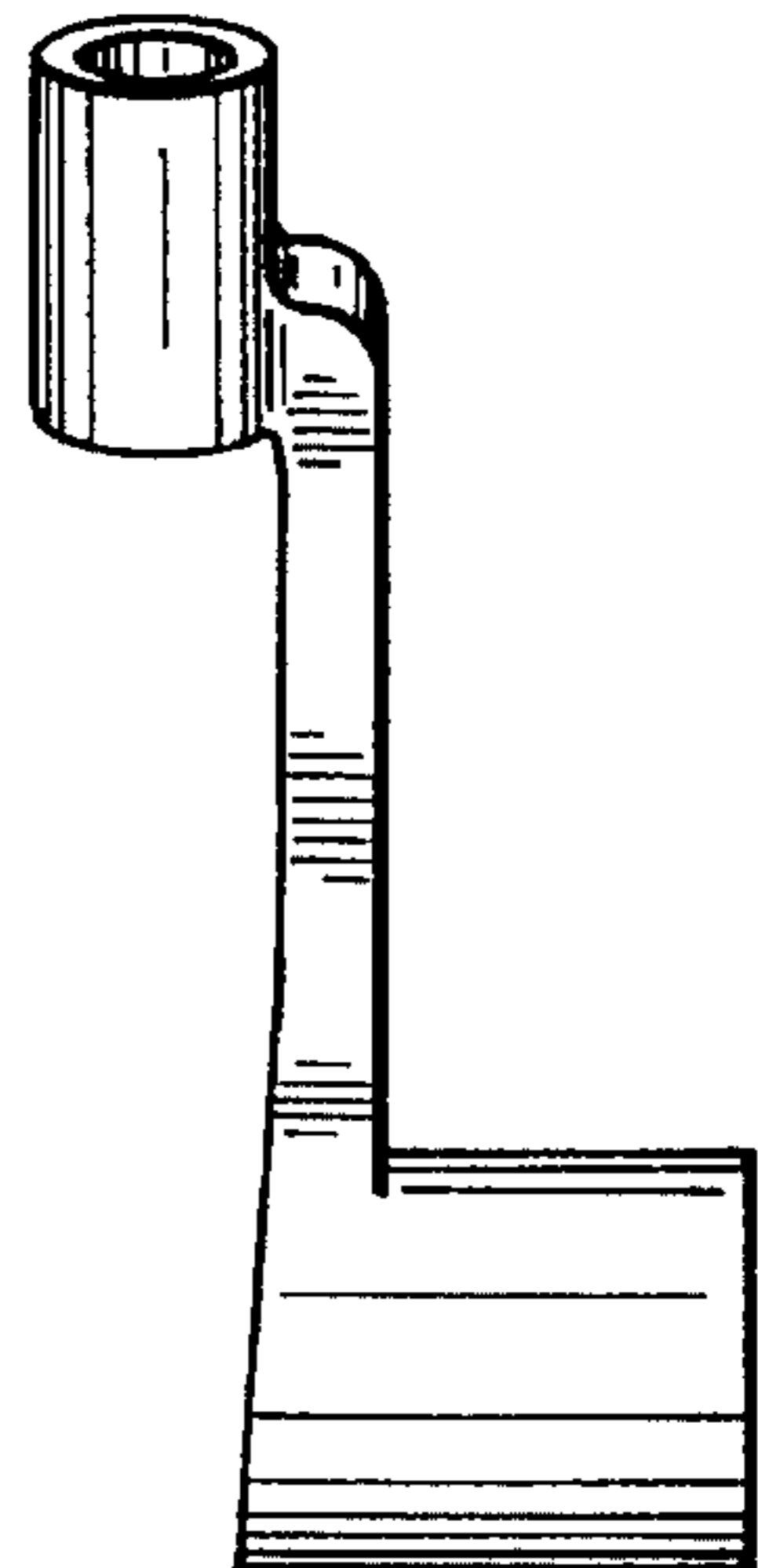


FIG. 3

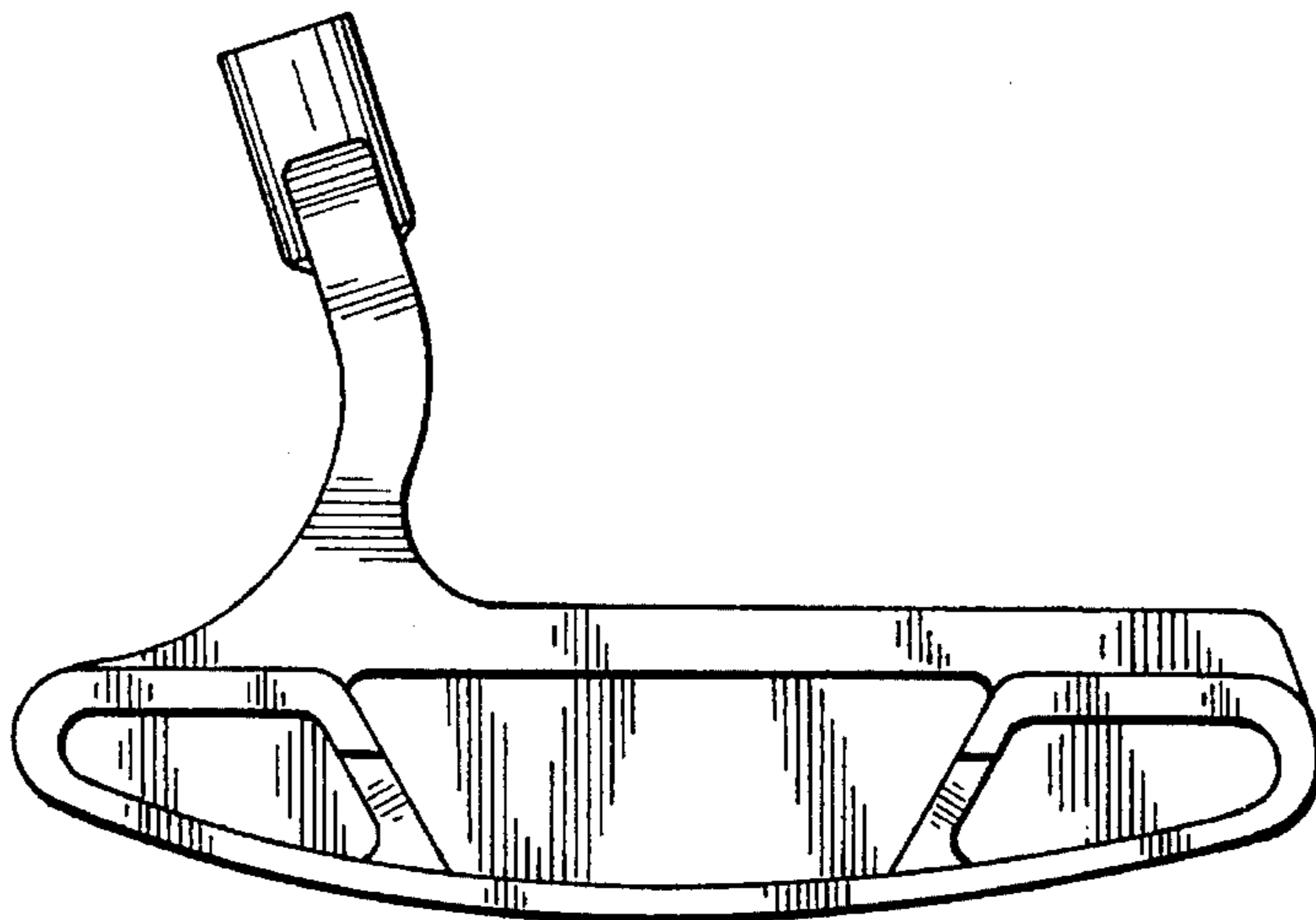


FIG. 4

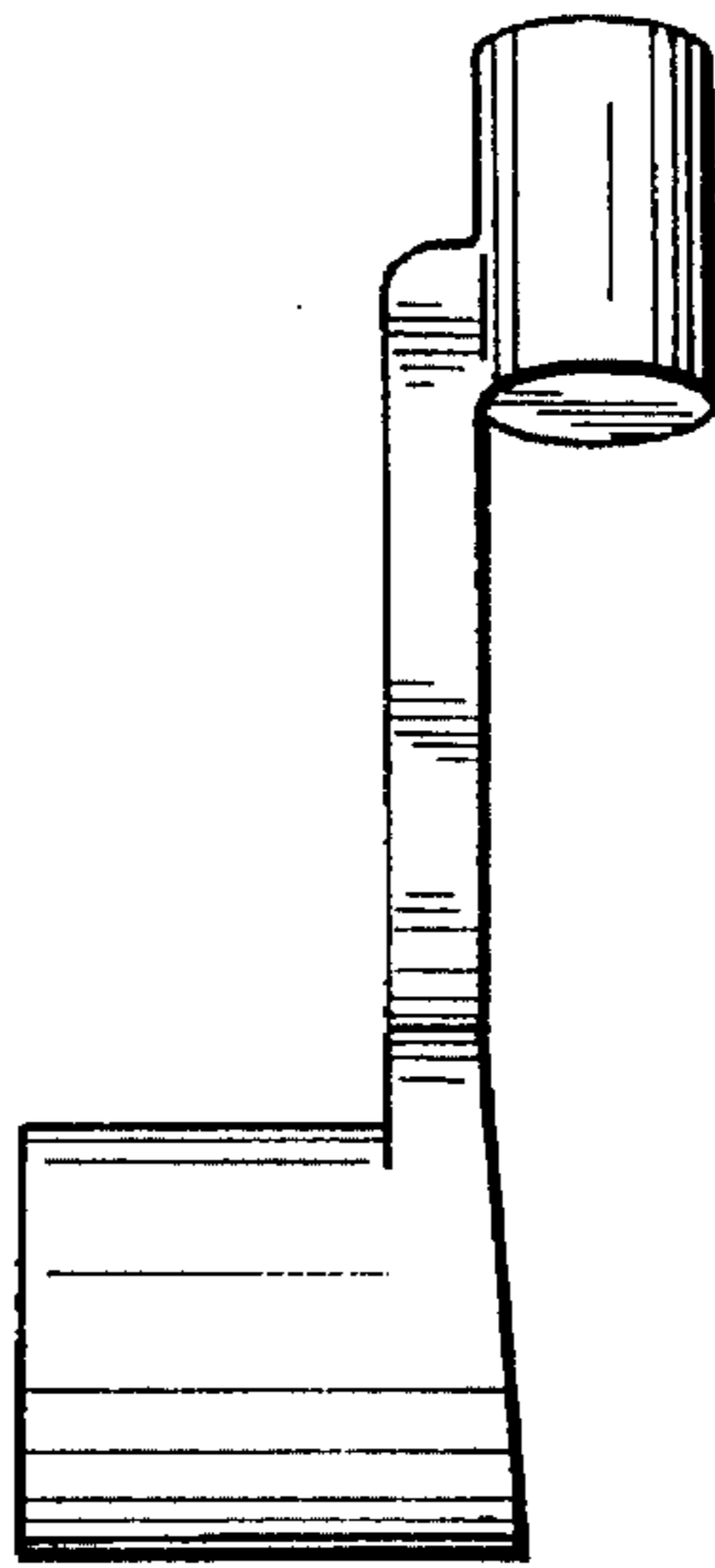


FIG. 5

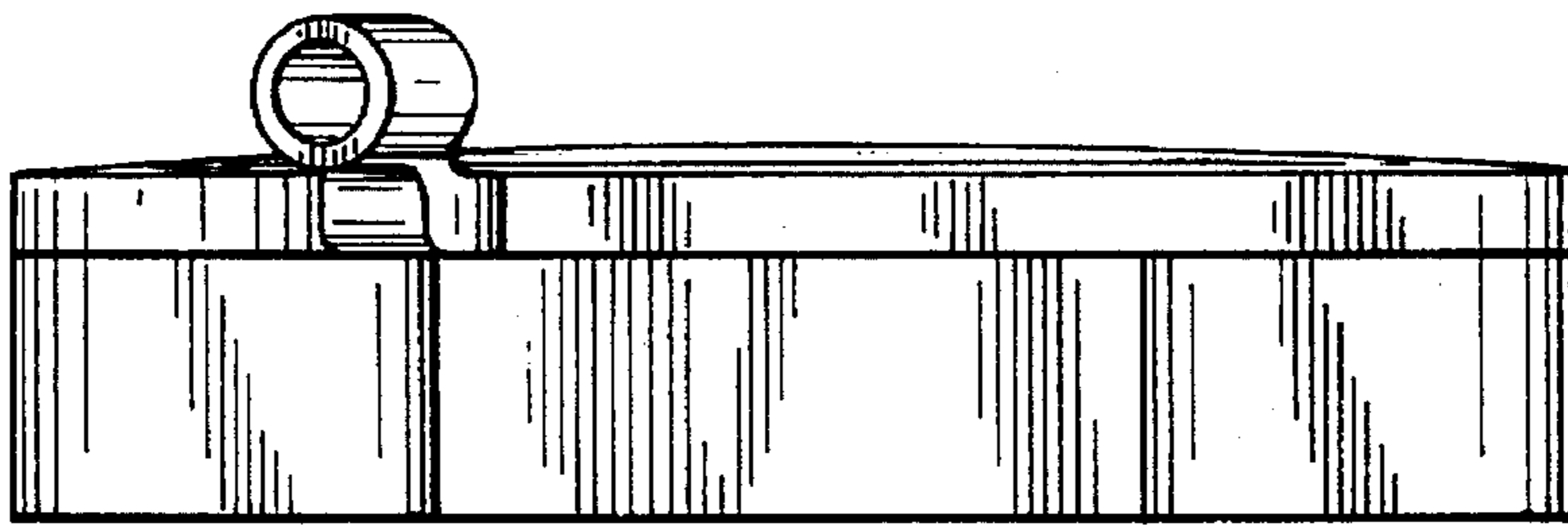


FIG. 6

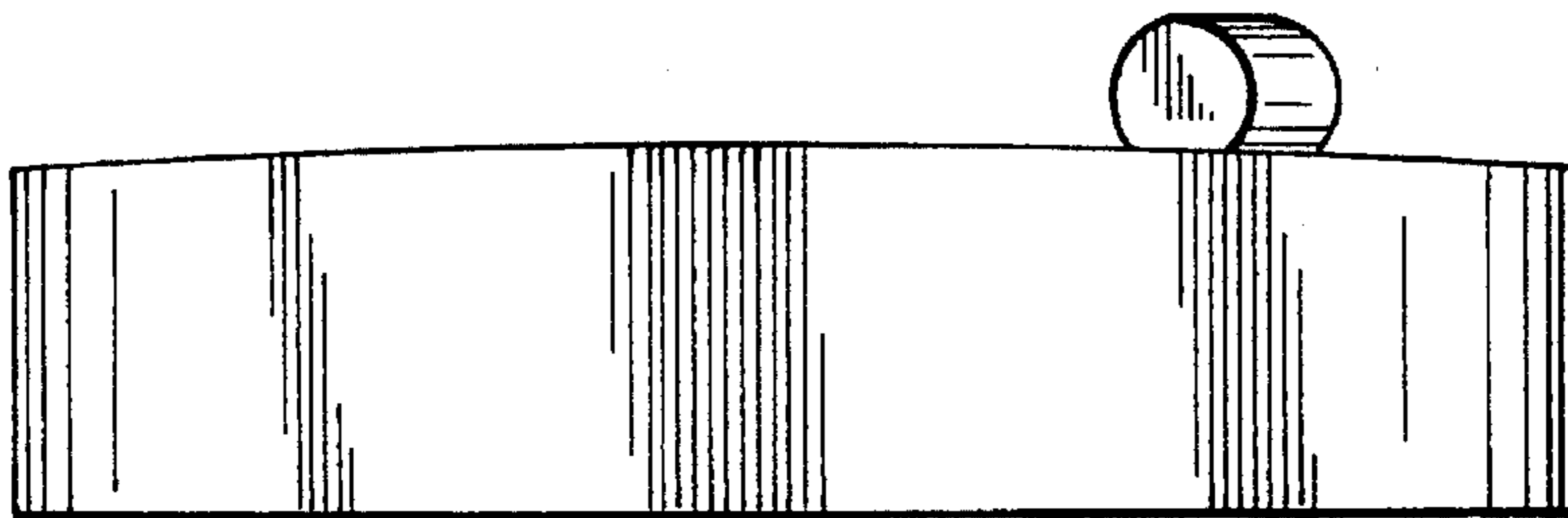


FIG. 7