



US00D368942S

United States Patent [19]
Mahoney

[11] **Patent Number: Des. 368,942**

[45] **Date of Patent: **Apr. 16, 1996**

[54] **BASKETBALL SHOOTING AID**

5,308,059 5/1994 Owen, Jr. et al. 273/1.5 R

[76] Inventor: **Paul J. Mahoney**, 89 Gay St.,
Norwood, Mass. 02062

[**] Term: **14 Years**

[21] Appl. No.: **33,958**

[22] Filed: **Jan. 24, 1995**

[52] **U.S. Cl.** **D21/201**

[58] **Field of Search** **D21/201; 273/1.5 R,**
273/1.5 A

OTHER PUBLICATIONS

Catalogue: Korney Board Aids, Inc., published Sep. 1994 p.
12: KBA Arch Developer.

Primary Examiner—Prabhakar G. Deshmukh

Assistant Examiner—Cheri Cohen

Attorney, Agent, or Firm—Lorusso & Loud

[57] **CLAIM**

The ornamental design for a basketball shooting aid, as
shown and described.

[56] **References Cited**

U.S. PATENT DOCUMENTS

3,160,414	12/1964	Gray	273/1.5 A
4,206,915	6/1980	Woodcock	273/1.5 A
4,300,764	11/1981	Burke	273/1.5 R
4,433,839	2/1984	Simonseth	273/1.5 R
4,991,837	2/1991	Deal	273/1.5 R
5,195,742	3/1993	Bailey	273/1.5 R
5,207,789	5/1993	Gates	273/1.5 A
5,273,276	12/1993	Warren	273/1.5 A
5,301,939	4/1994	Ellsworth	273/1.5 R
5,305,997	4/1994	Jolly	273/1.5 R

DESCRIPTION

FIG. 1 is a front elevation view of a basketball shooting aid
showing my new design;

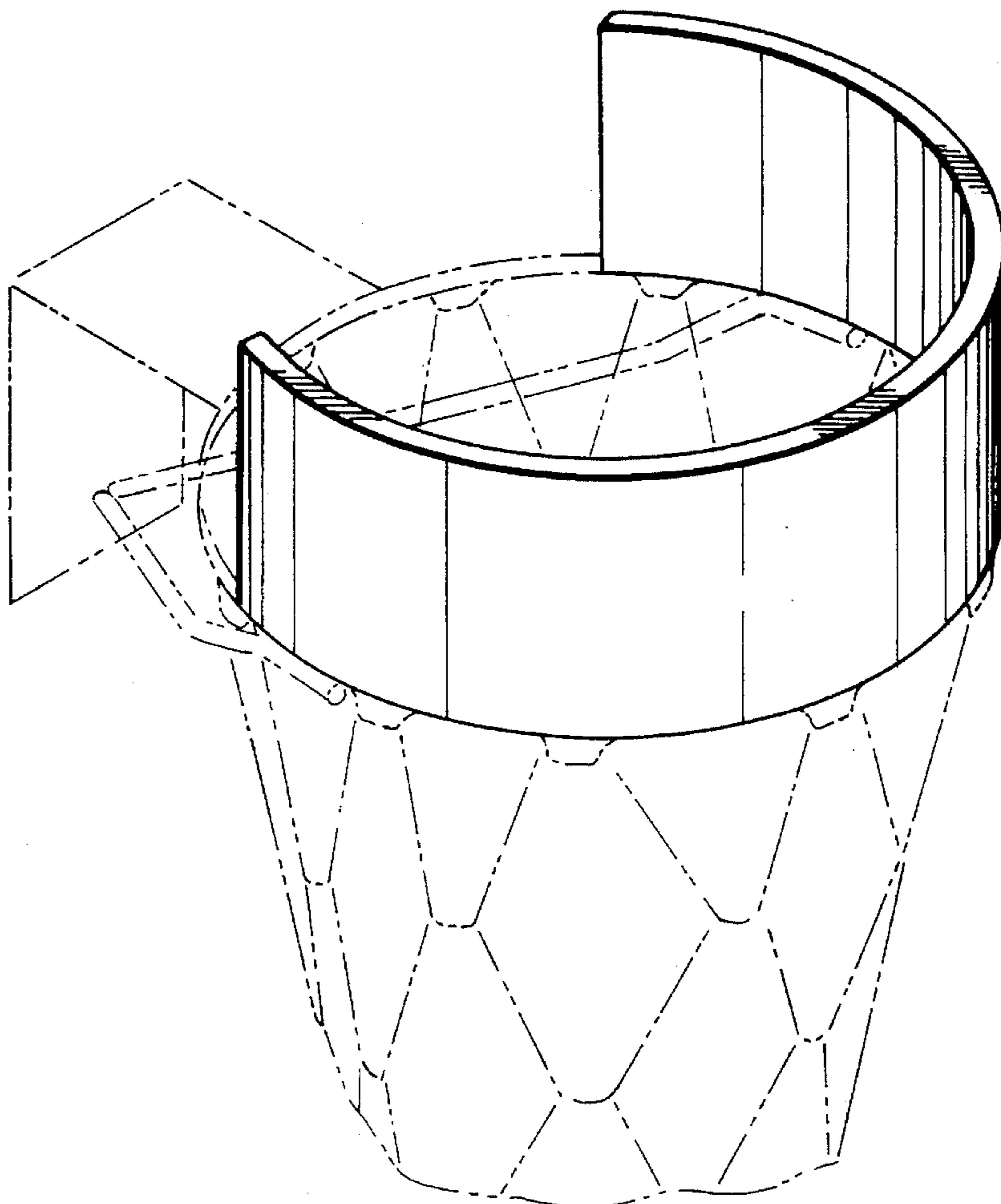
FIG. 2 is a top plan view thereof;

FIG. 3 is a bottom plan view thereof; and,

FIG. 4 is a perspective view thereof.

The broken line showing of the basketball goal in FIG. 4 is
for illustrative purposes only and forms no part of the
claimed design.

1 Claim, 2 Drawing Sheets



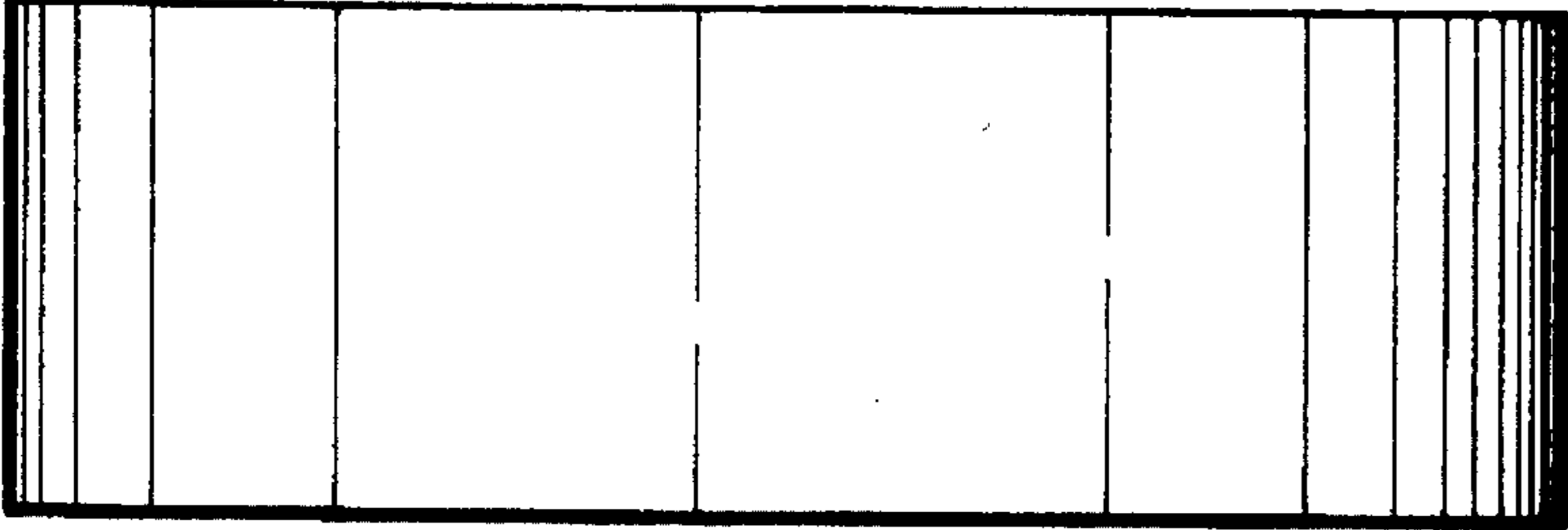


FIG. 1

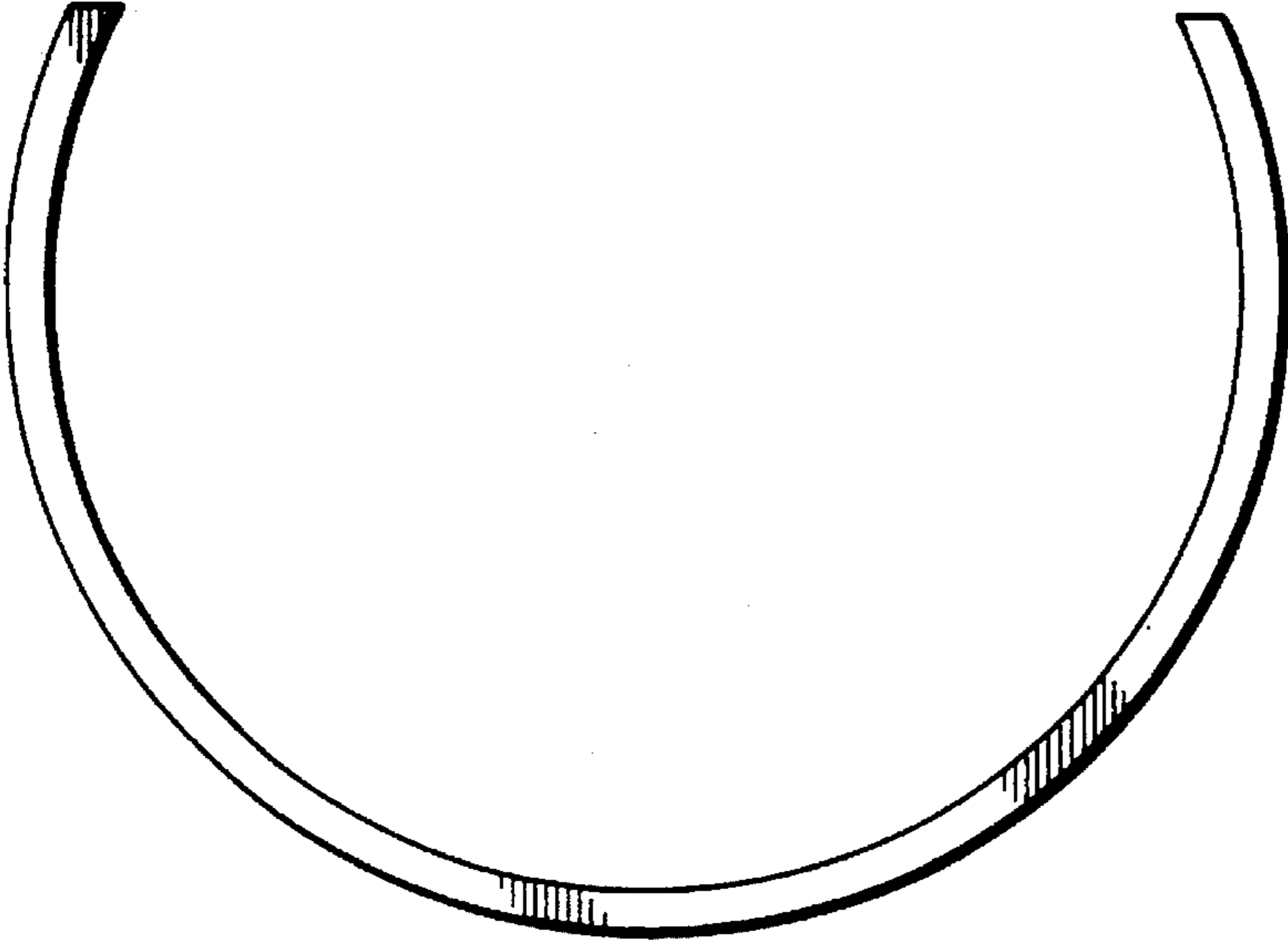


FIG. 2

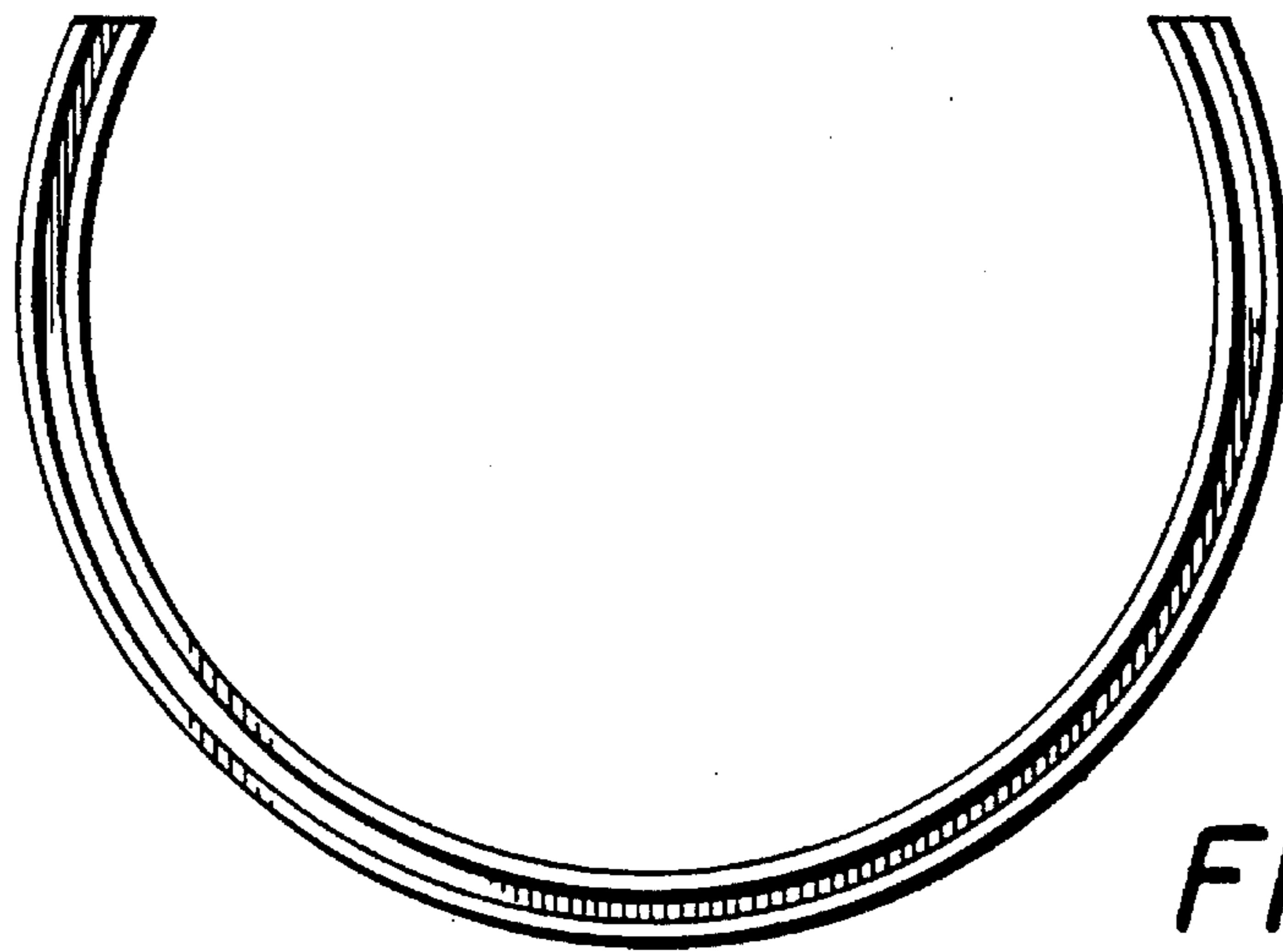


FIG. 3

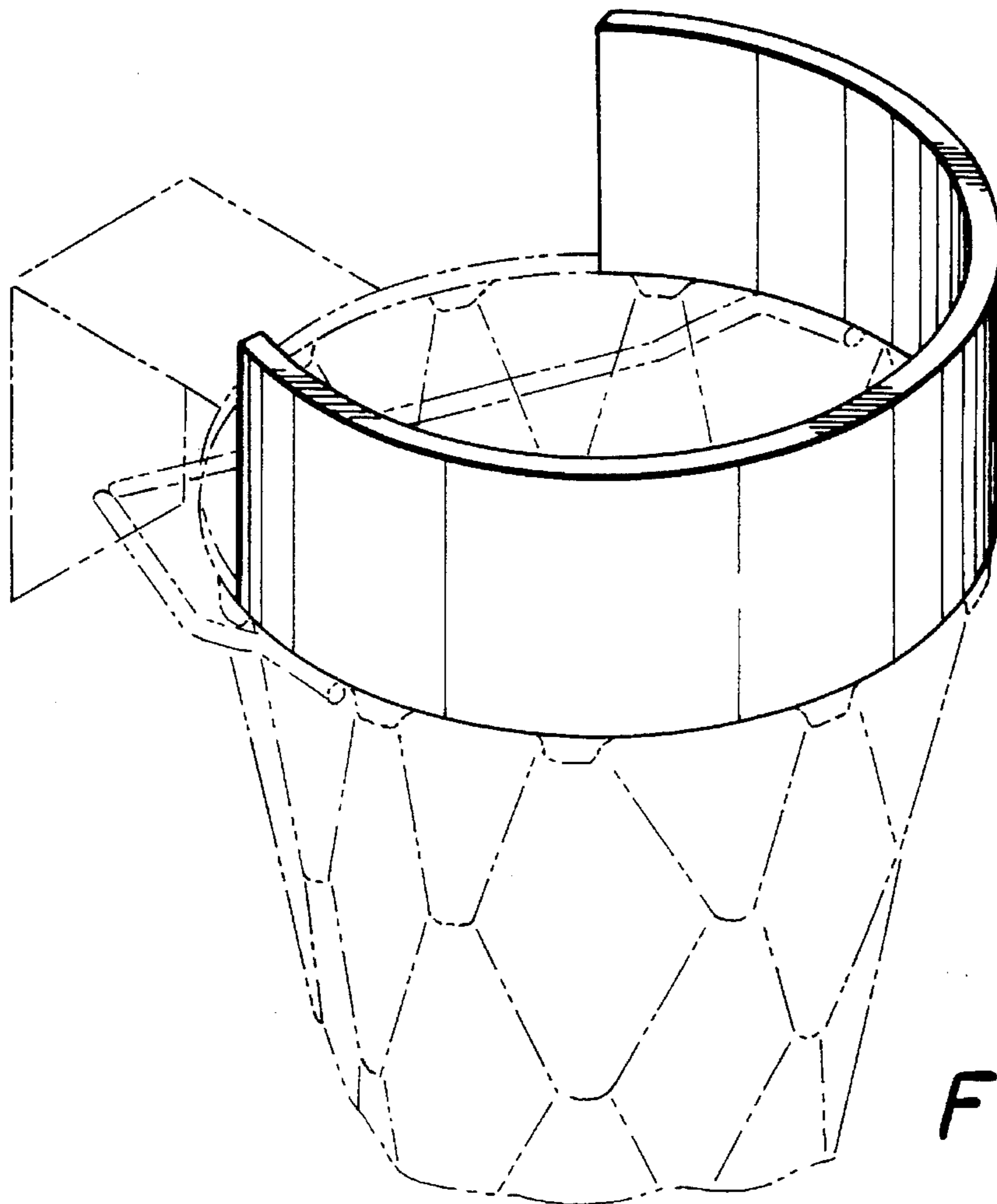


FIG. 4