



US00D368939S

United States Patent [19]

Frederiksen

[11] Patent Number: **Des. 368,939**

[45] Date of Patent: ****Apr. 16, 1996**

[54] **TOY BUILDING ELEMENT**

4,744,780 5/1988 Volpe 446/121
4,964,833 10/1990 Suzuki 446/128

[75] Inventor: **Jesper B. Frederiksen**, Nykøbing F., Denmark

OTHER PUBLICATIONS

Playthings Magazine, Oct. 1941, p. 47, Blocks at top of page.

[73] Assignee: **Interlego AG**

Primary Examiner—Theodore M. Shooman
Assistant Examiner—R. Barkai

[**] Term: **14 Years**

[21] Appl. No.: **29,181**

[57] CLAIM

[22] Filed: **Sep. 29, 1994**

The ornamental design for a toy building element, as shown and described.

[52] U.S. Cl. **D21/108**

[58] Field of Search D21/108, 161,
D21/162, 165, 190; 446/93, 95, 97, 100,
121, 125, 128

DESCRIPTION

[56] References Cited

U.S. PATENT DOCUMENTS

D. 233,542	11/1974	Christiansen	D21/108
D. 279,915	7/1985	Pibet	D21/108
D. 296,342	6/1988	Knudsen	D21/108
D. 312,105	11/1990	Olsen et al.	D21/108
D. 318,696	7/1991	Hoyer et al.	D21/108
D. 336,666	6/1993	Knudsen	D21/108

FIG. 1 is a top perspective view of the toy building element showing my new design;

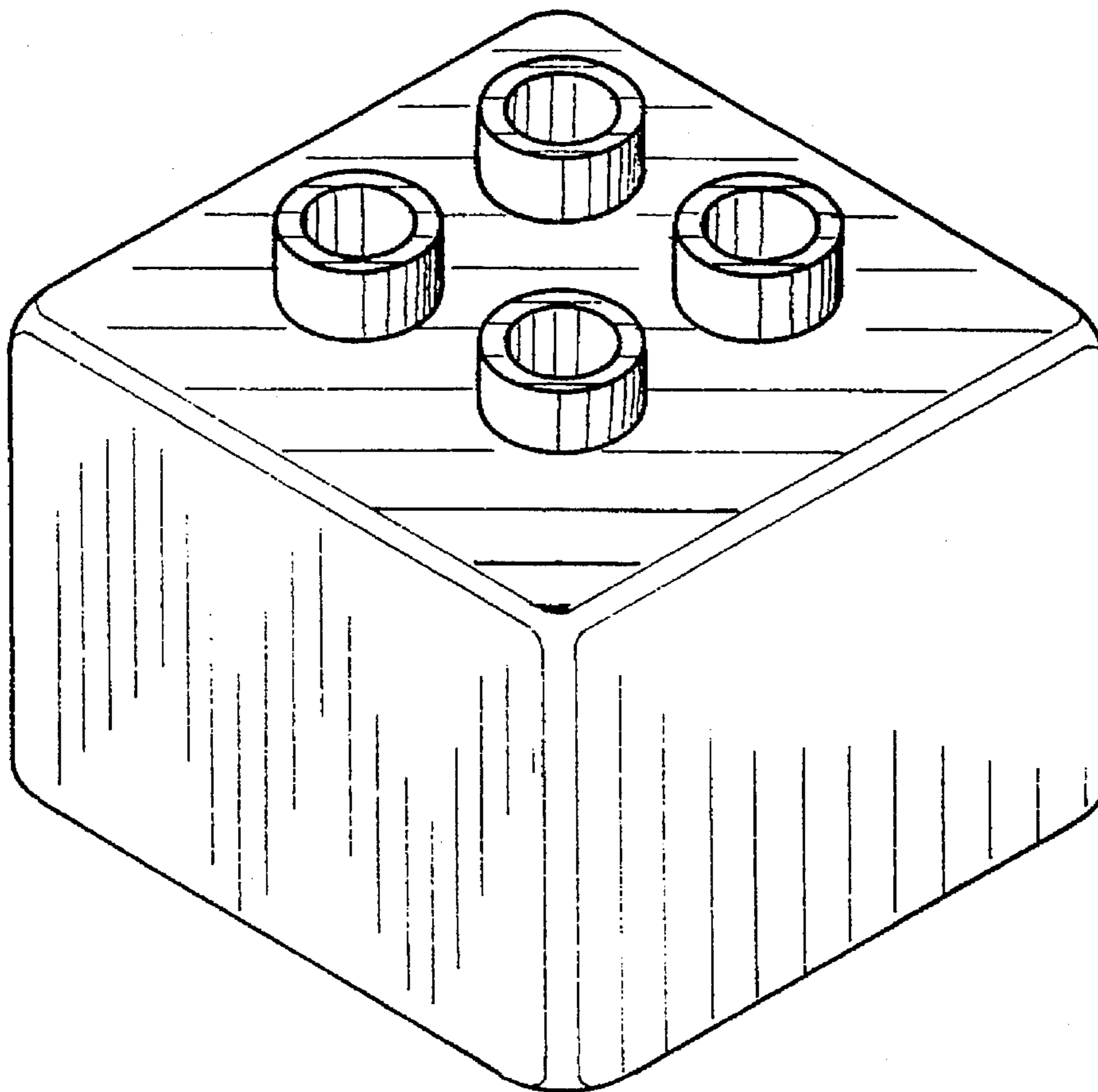
FIG. 2 is a bottom perspective view thereof;

FIG. 3 is a side elevational view thereof, all sides being identical;

FIG. 4 is a bottom plan view thereof; and,

FIG. 5 is a top plan view thereof.

1 Claim, 1 Drawing Sheet



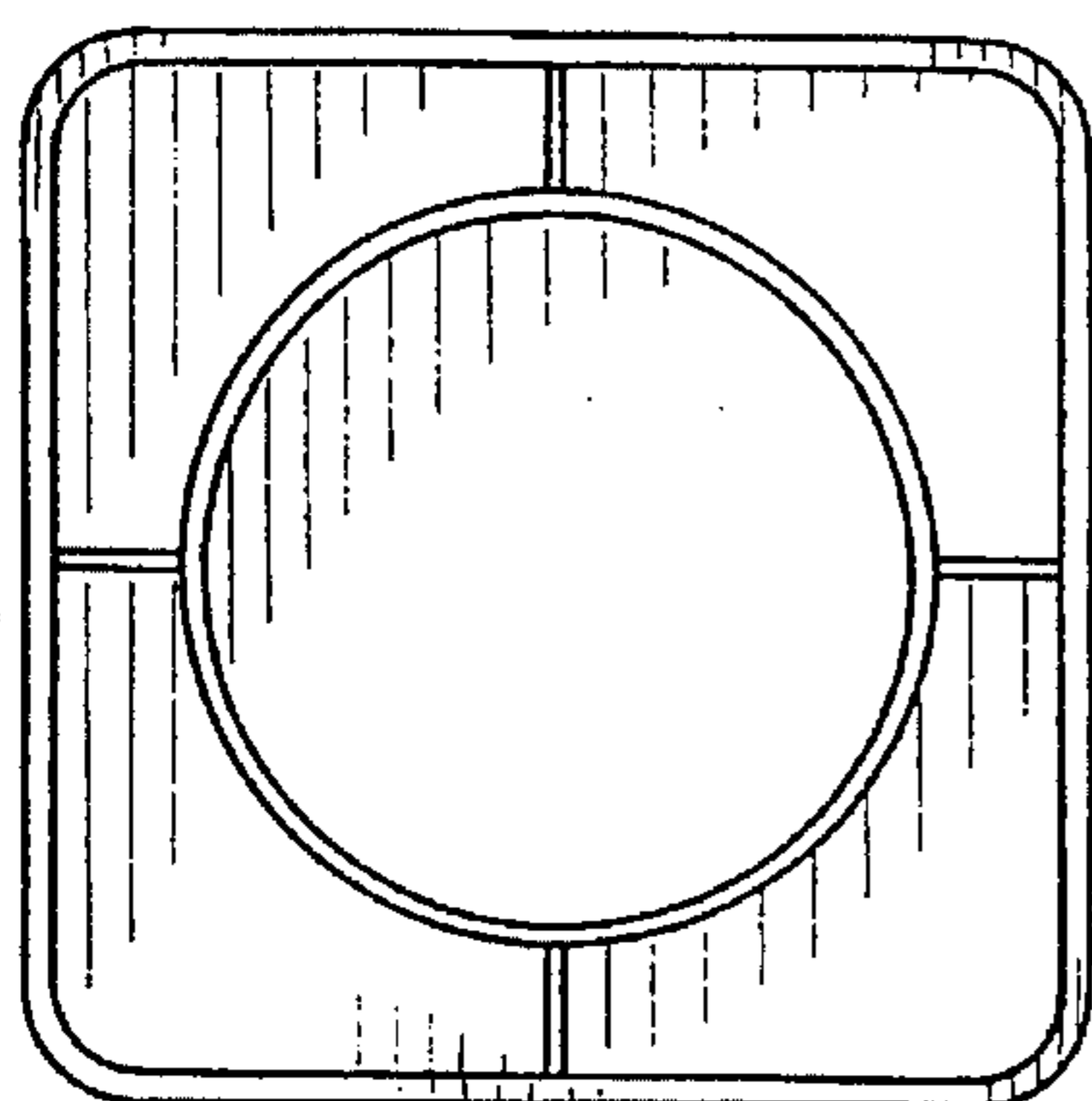


FIG. 4

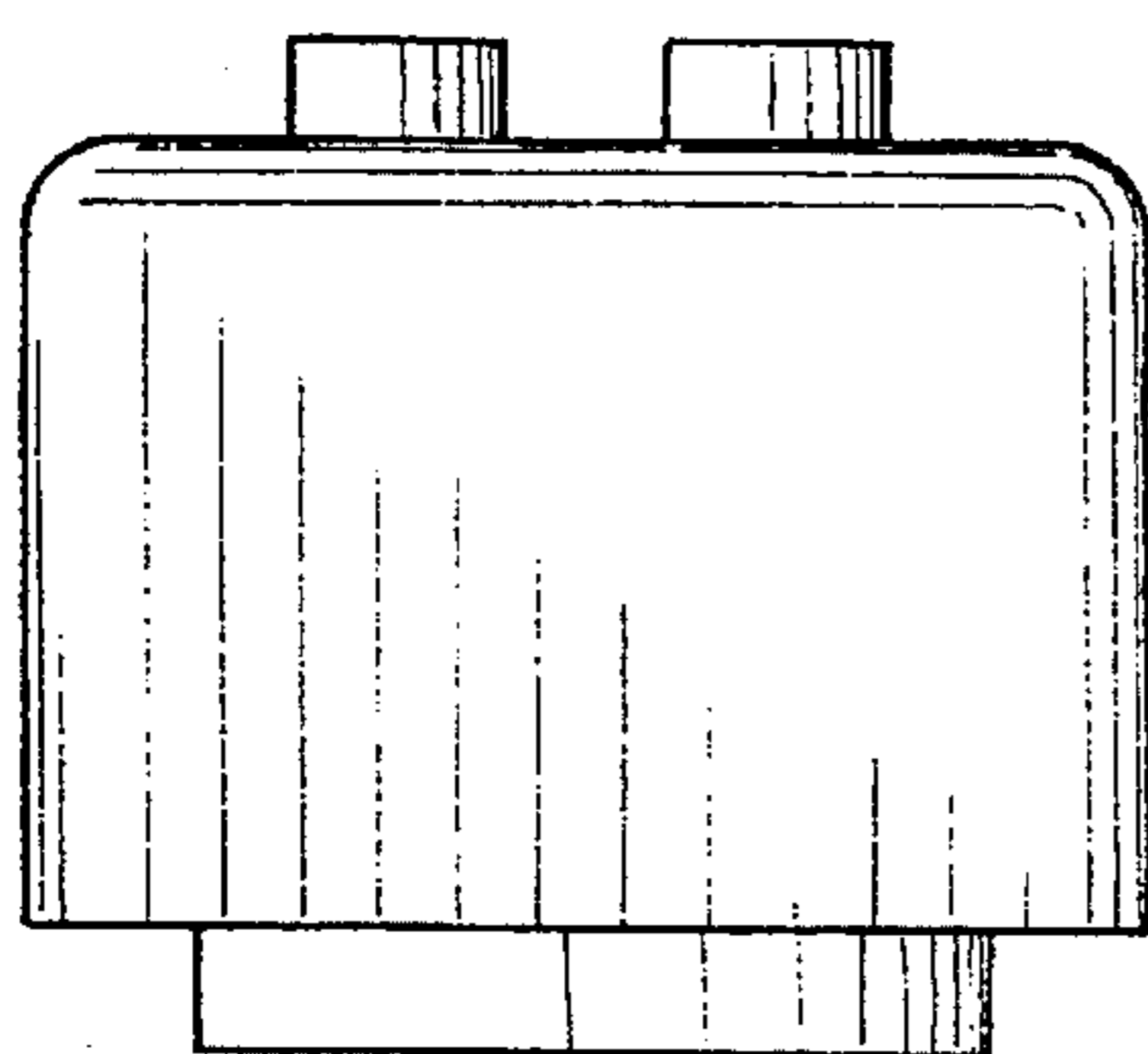


FIG. 3

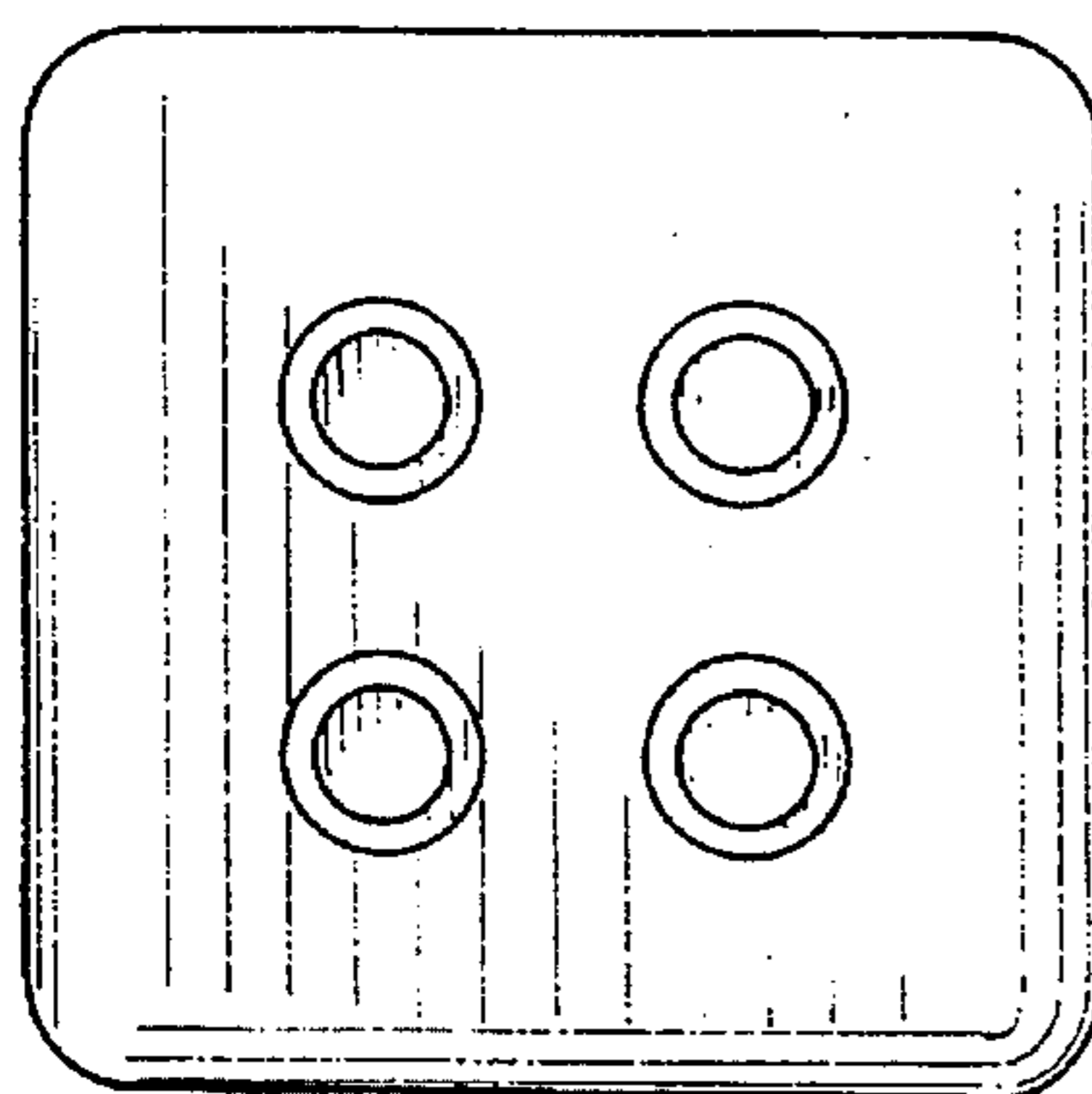


FIG. 5

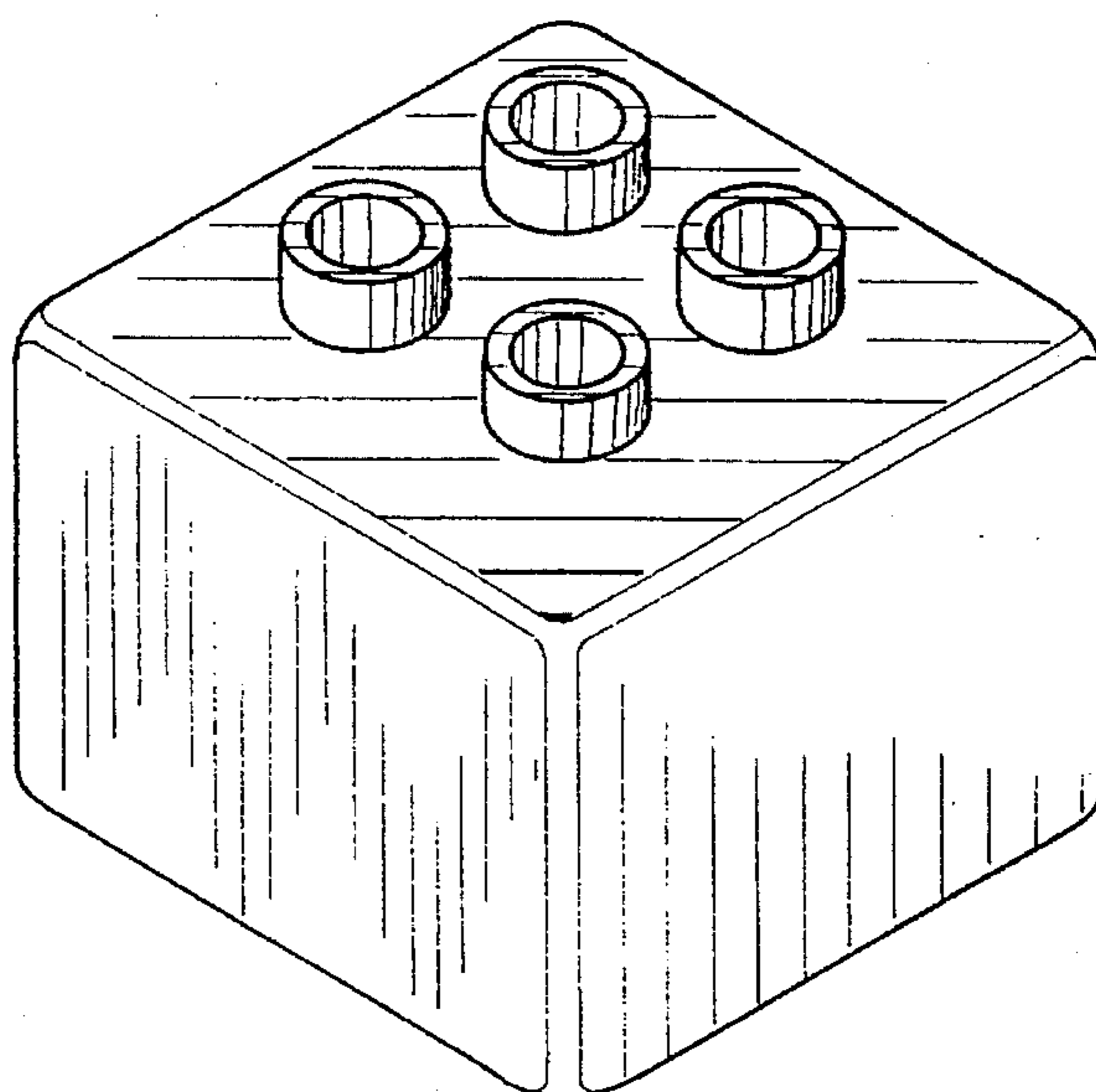


FIG. 1

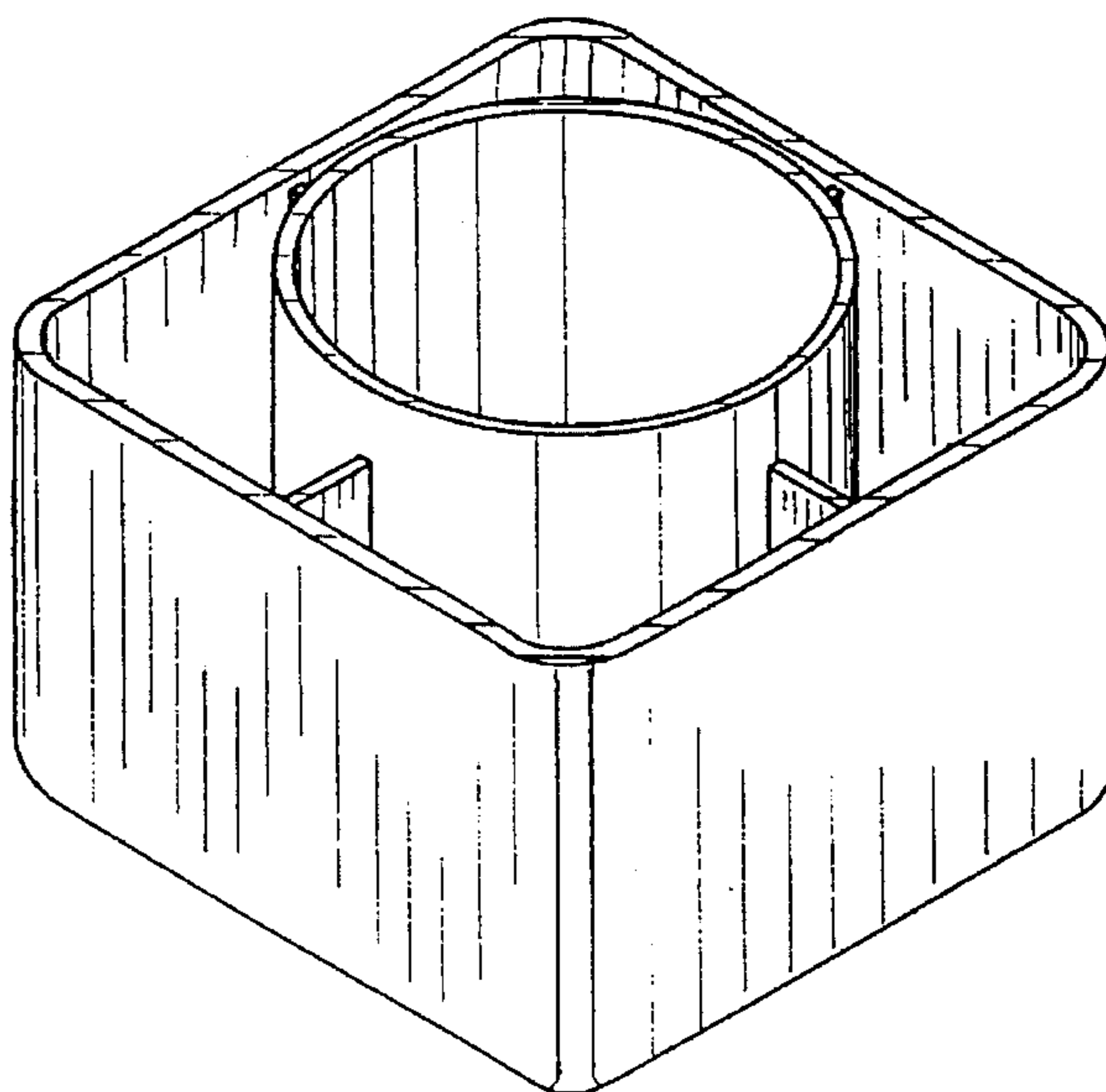


FIG. 2