



US00D368935S

United States Patent [19]

Cone, Jr.

[11] Patent Number: **Des. 368,935**

[45] Date of Patent: ****Apr. 16, 1996**

[54] **GAME TABLE**

[76] Inventor: **Alan W. Cone, Jr.**, P.O. Box 2002,
Huntersville, N.C. 28078

[**] Term: **14 Years**

[21] Appl. No.: **24,255**

[22] Filed: **Jun. 10, 1994**

[52] U.S. Cl. **D21/17; D21/232**

[58] Field of Search **D21/1, 14-36,
D21/232; 273/236-285**

[56] **References Cited**

U.S. PATENT DOCUMENTS

D. 27,788	10/1897	Haskell	D21/17
D. 29,320	9/1898	Jewell	D21/18
D. 32,299	2/1900	Rose	D21/16
D. 219,390	12/1970	Johnson	D21/17
D. 228,079	8/1973	Huffman	D21/18
D. 332,648	1/1993	Mitchell, Jr.	D21/232
D. 338,939	8/1993	Gellerman	D21/232
715,796	12/1907	Haskell	D21/17
4,235,443	11/1980	Facchini	273/277

FOREIGN PATENT DOCUMENTS

73653	3/1983	European Pat. Off.	273/259
309965	5/1918	Germany	273/285
2208105	3/1989	United Kingdom	273/236

Primary Examiner—Sandra L. Morris

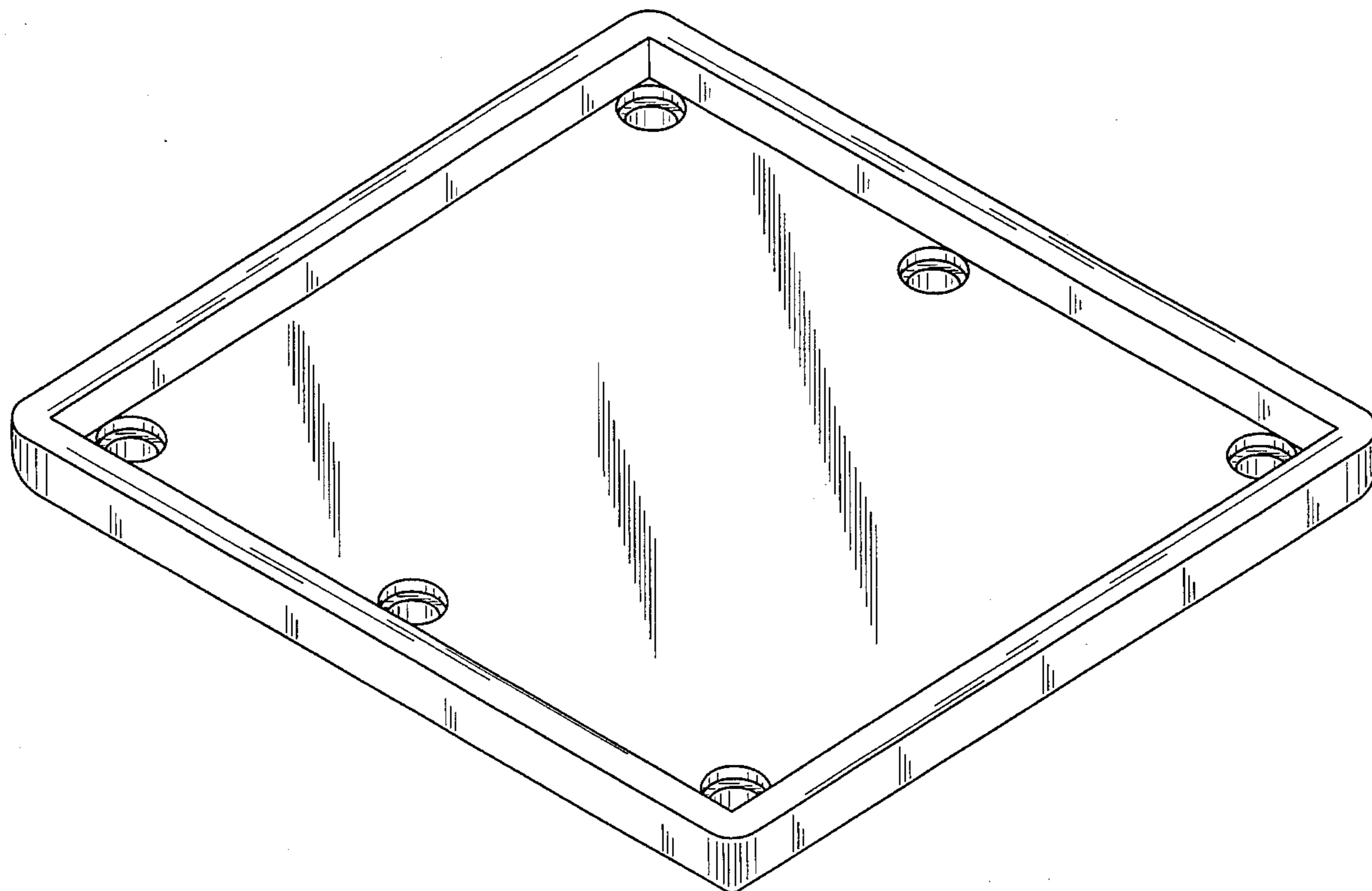
[57] **CLAIM**

The ornamental design for a game table, as shown and described.

DESCRIPTION

FIG. 1 is a top plan view of a game table embodying my design;
 FIG. 2 is a bottom plan view of the game table as shown in FIG. 1;
 FIG. 3 is a left end elevational view of the game table as shown in FIG. 1, the right end being identical;
 FIG. 4 is a front elevational view of the game table as shown in FIG. 1, the rear view being identical; and,
 FIG. 5 is a perspective view of the top of the game table as shown in FIG. 1.

1 Claim, 3 Drawing Sheets



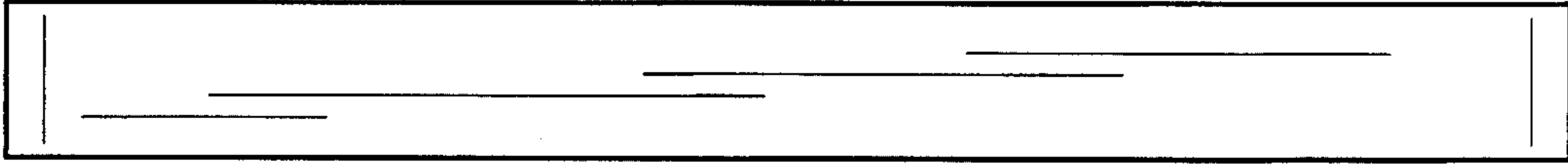


FIG. 3

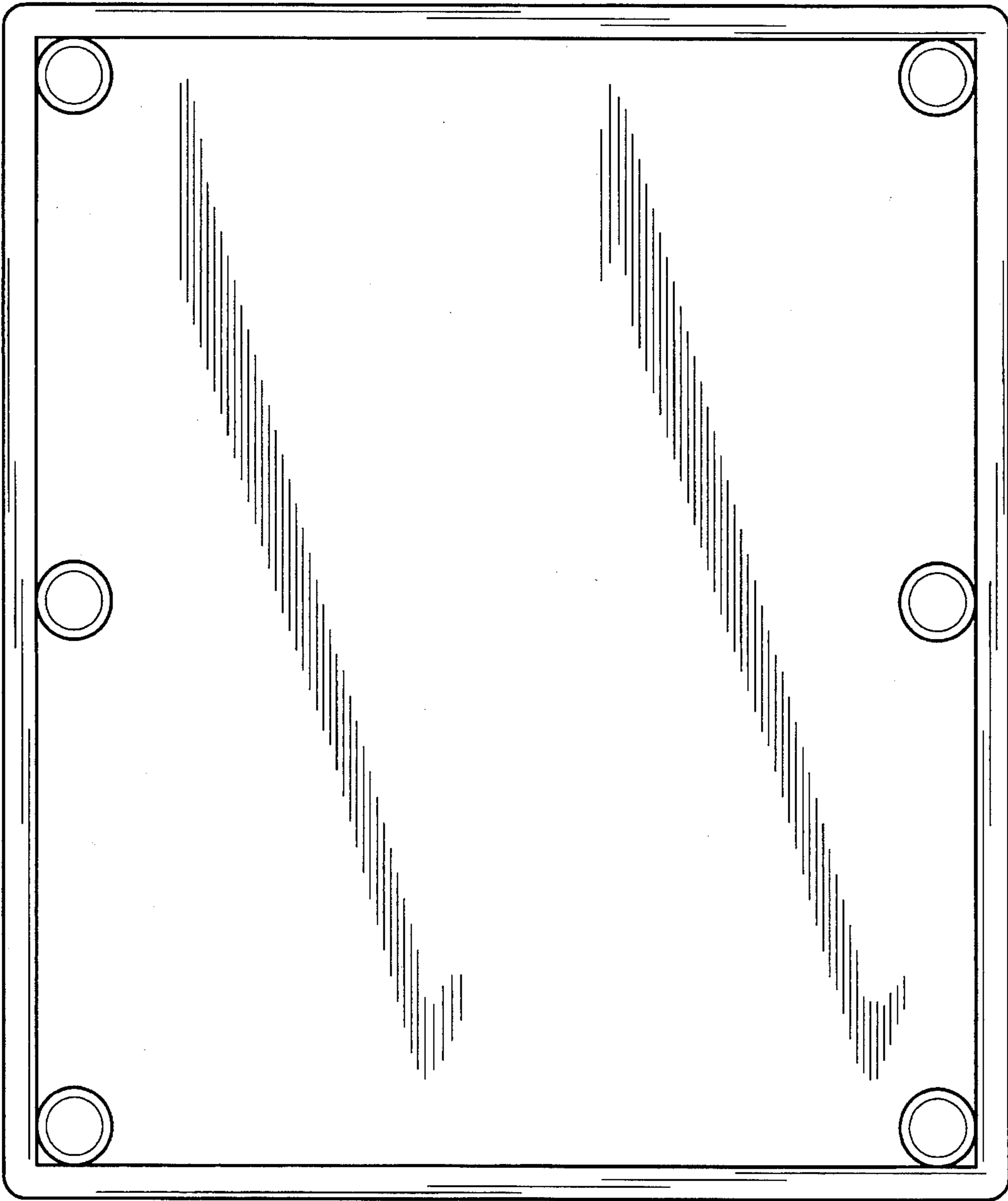


FIG. 1

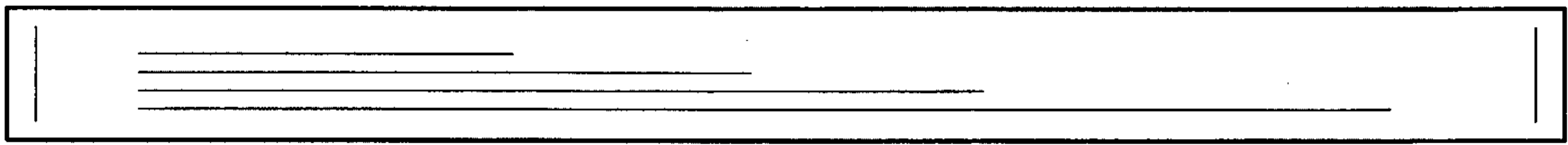


FIG. 4

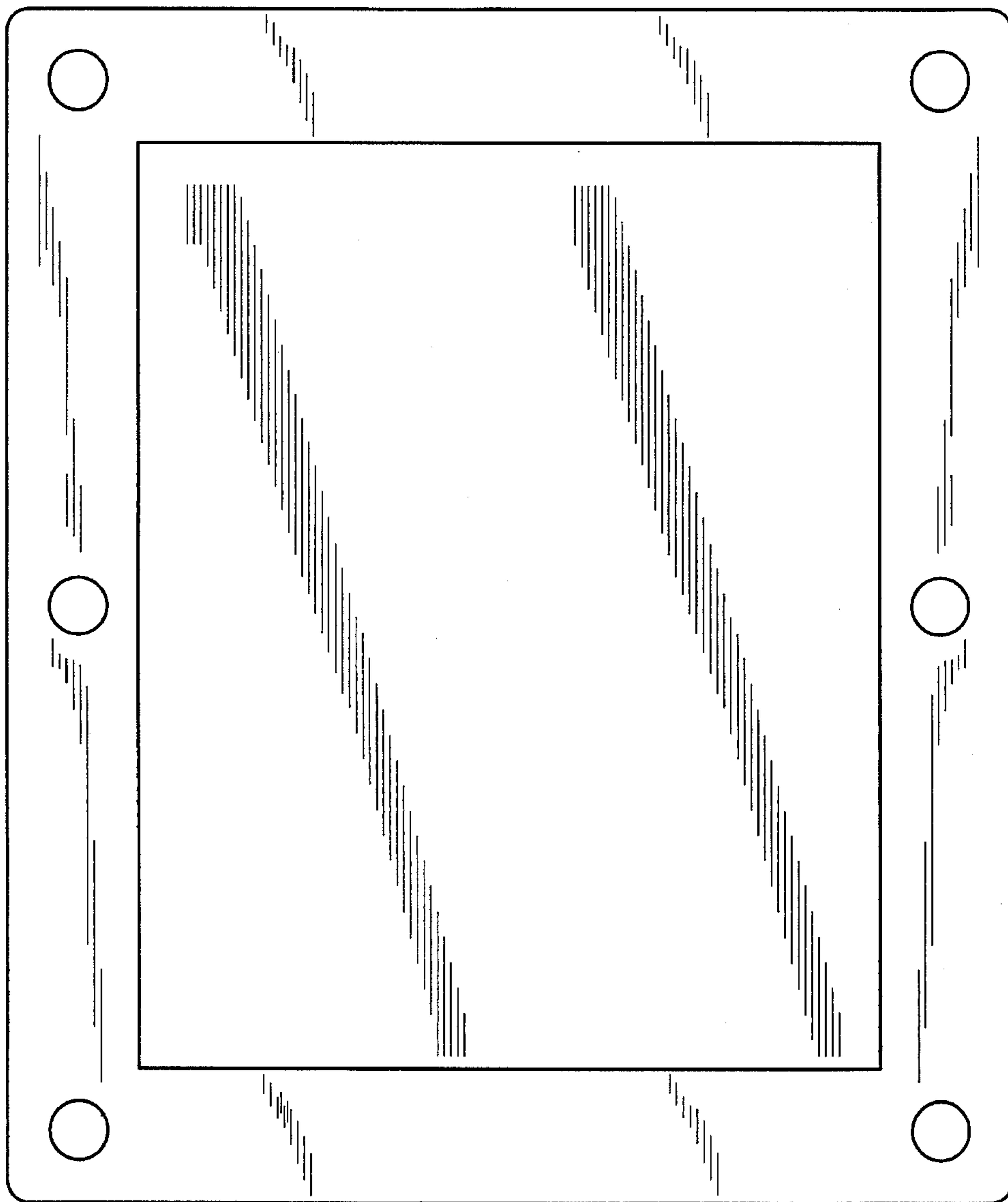


FIG. 2

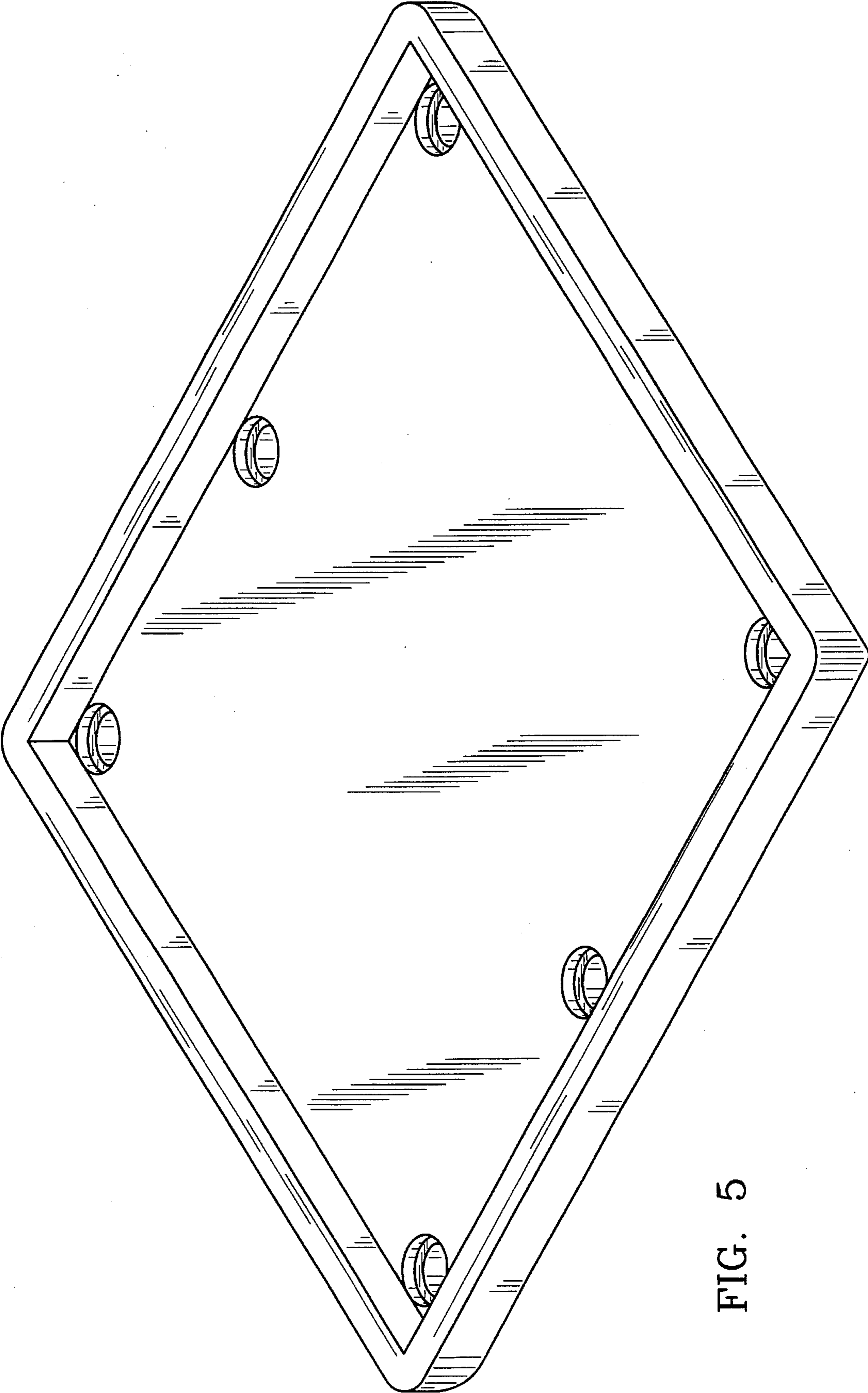


FIG. 5