



US00D368933S

United States Patent [19]

Wilson et al.

[11] Patent Number: **Des. 368,933**

[45] Date of Patent: ****Apr. 16, 1996**

[54] **SHEET DISPENSER**

[75] Inventors: **James A. Wilson**, North St. Paul;
David C. Windorski, Woodbury, both
of Minn.

[73] Assignee: **Minnesota Mining and
Manufacturing Company**, St. Paul,
Minn.

[**] Term: **14 Years**

[21] Appl. No.: **28,419**

[22] Filed: **Sep. 14, 1994**

[52] U.S. Cl. **D19/86; D19/76; D19/92;
D6/518**

[58] Field of Search **D6/515, 518; D19/35,
D19/36, 65, 75, 76, 86, 92, 95, 99, 100;
221/33, 22, 34, 56, 35, 58, 36, 59, 198,
45, 46; 206/39.7, 39.3, 39.8, 39**

[56] **References Cited**

U.S. PATENT DOCUMENTS

D. 121,460	7/1940	Petzdd	D19/76 X
D. 149,141	3/1948	Pollock	D19/76
D. 158,485	5/1950	Manetti	D6/518
D. 170,641	10/1953	Lang	D19/76
D. 213,148	1/1969	Zandelin	D19/76
D. 234,320	2/1975	Mori	D19/76
D. 284,247	6/1986	Fine	D6/518 X

D. 337,228	7/1993	Giugiaro	D6/518
4,669,617	6/1987	Boeckmann et al.	211/69.7
4,781,306	11/1988	Smith	221/33

Primary Examiner—Martie Thompson
Attorney, Agent, or Firm—Gary L. Griswold; Walter N. Kirn; William L. Huebsch

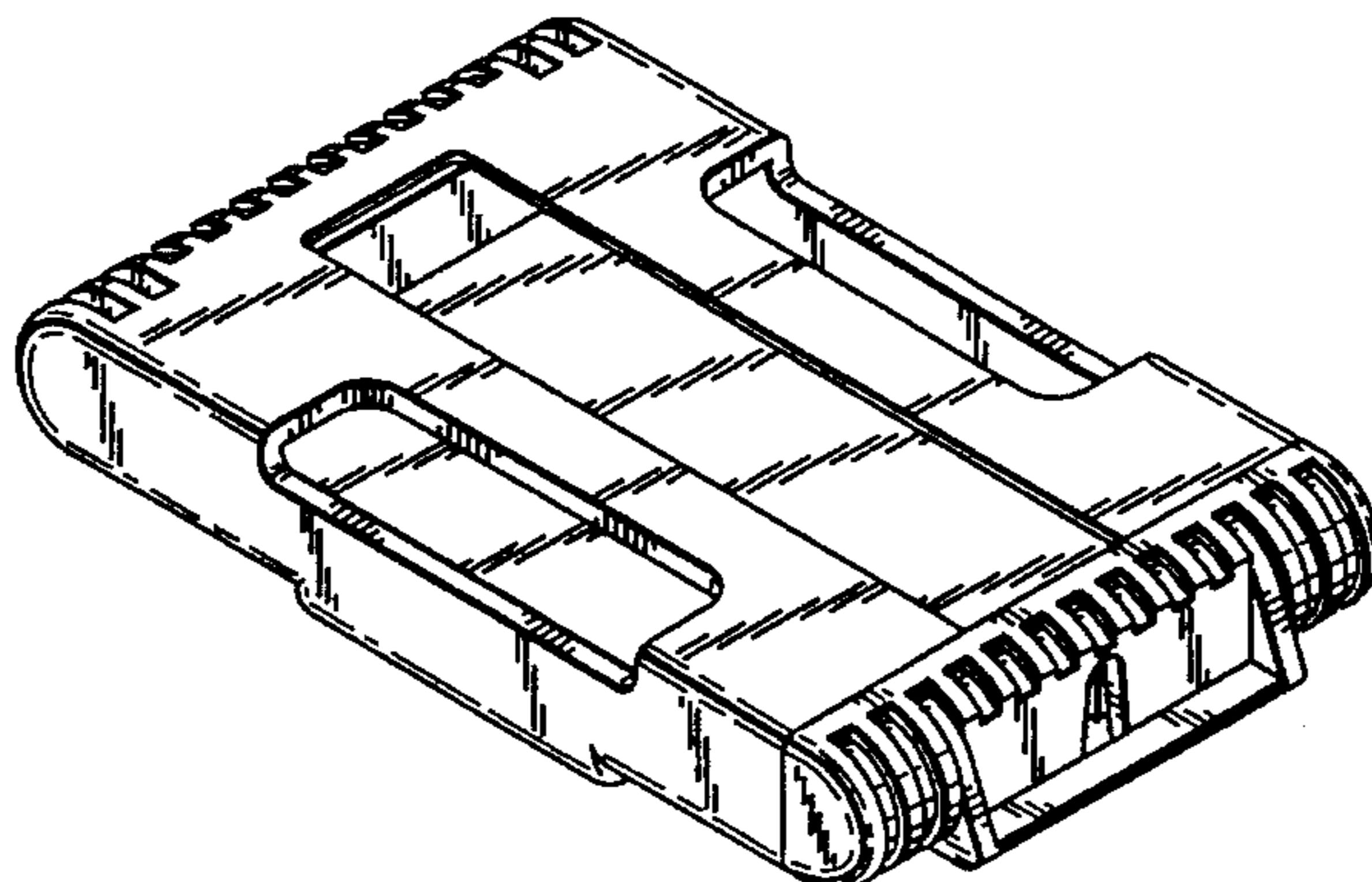
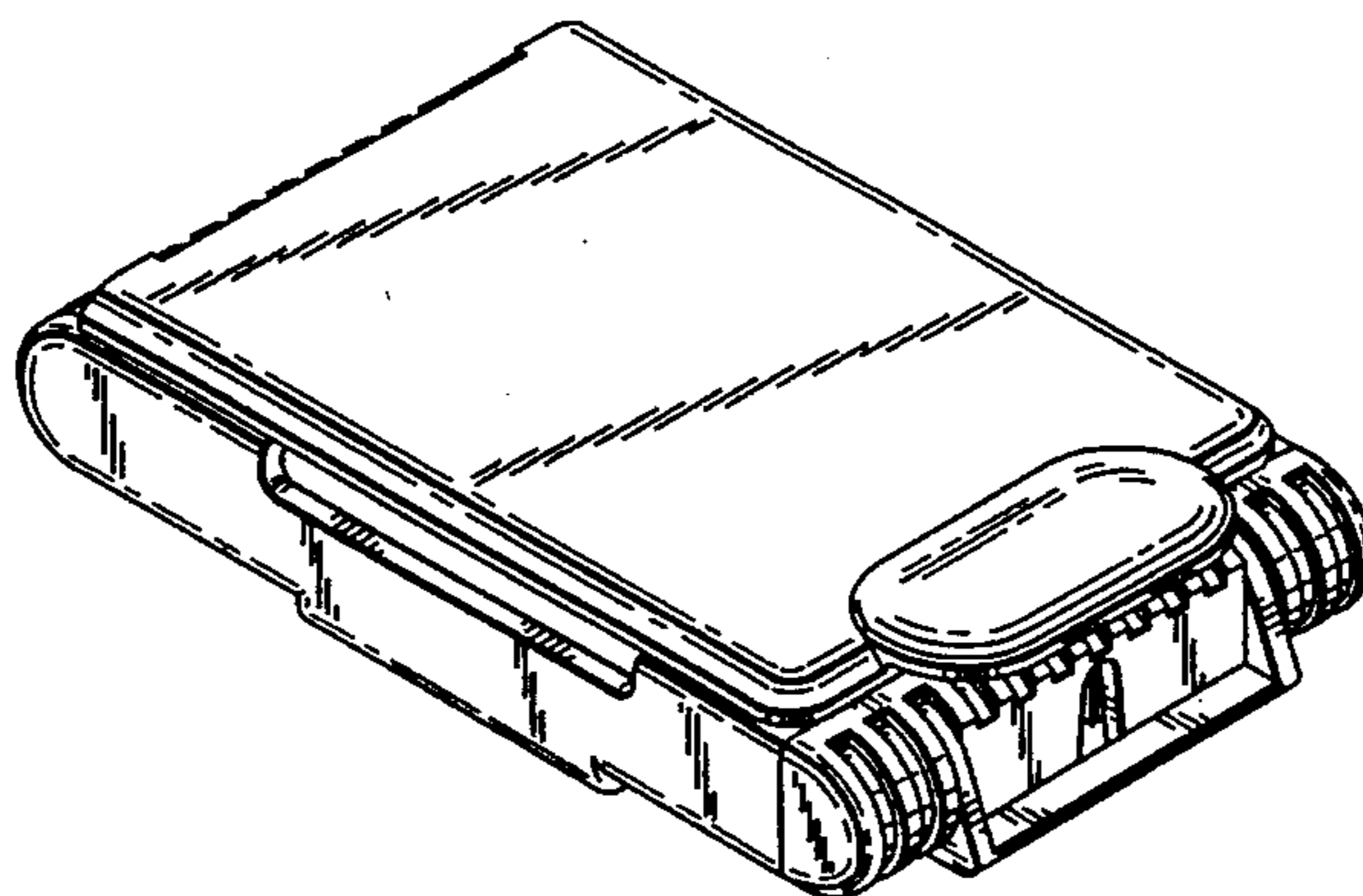
[57] **CLAIM**

The ornamental design for a sheet dispenser, as shown and described.

DESCRIPTION

FIG. 1 is a top front perspective view of a sheet dispenser showing our new design;
FIG. 2 is a front elevational view;
FIG. 3 is a rear elevational view;
FIG. 4 is a left side elevational view, the right side being a mirror image thereof;
FIG. 5 is a top plan view;
FIG. 6 is a bottom plan view;
FIG. 7 is a top front perspective view with the cover member removed for convenience of illustration;
FIG. 8 is a front elevational view of FIG. 7;
FIG. 9 is a rear elevational view of FIG. 7;
FIG. 10 is a left side elevational view of FIG. 7, the right side being a mirror image thereof;
FIG. 11 is a top plan view of FIG. 7; and,
FIG. 12 is a bottom plan view of FIG. 7.

1 Claim, 4 Drawing Sheets



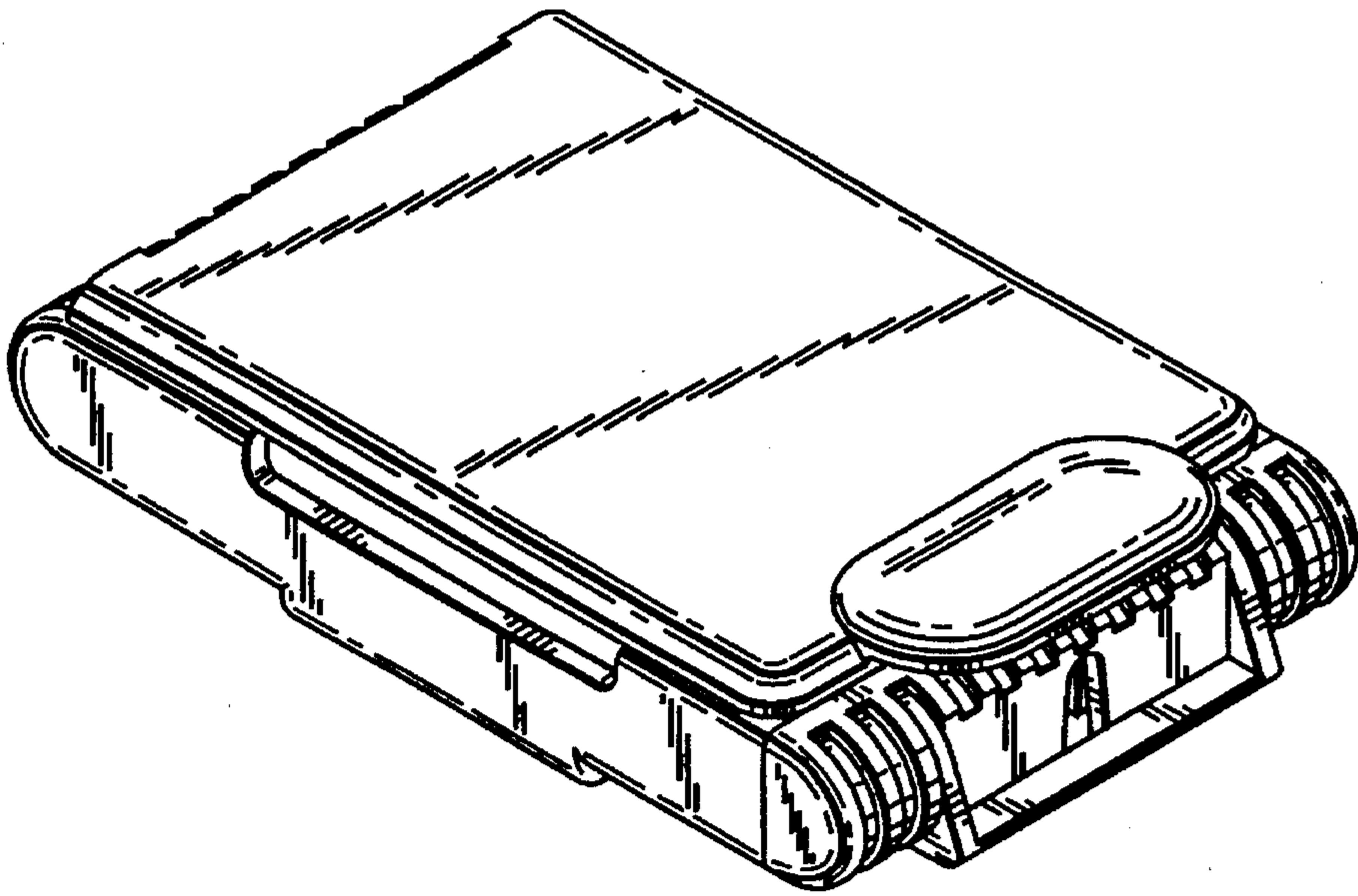


Fig. 1

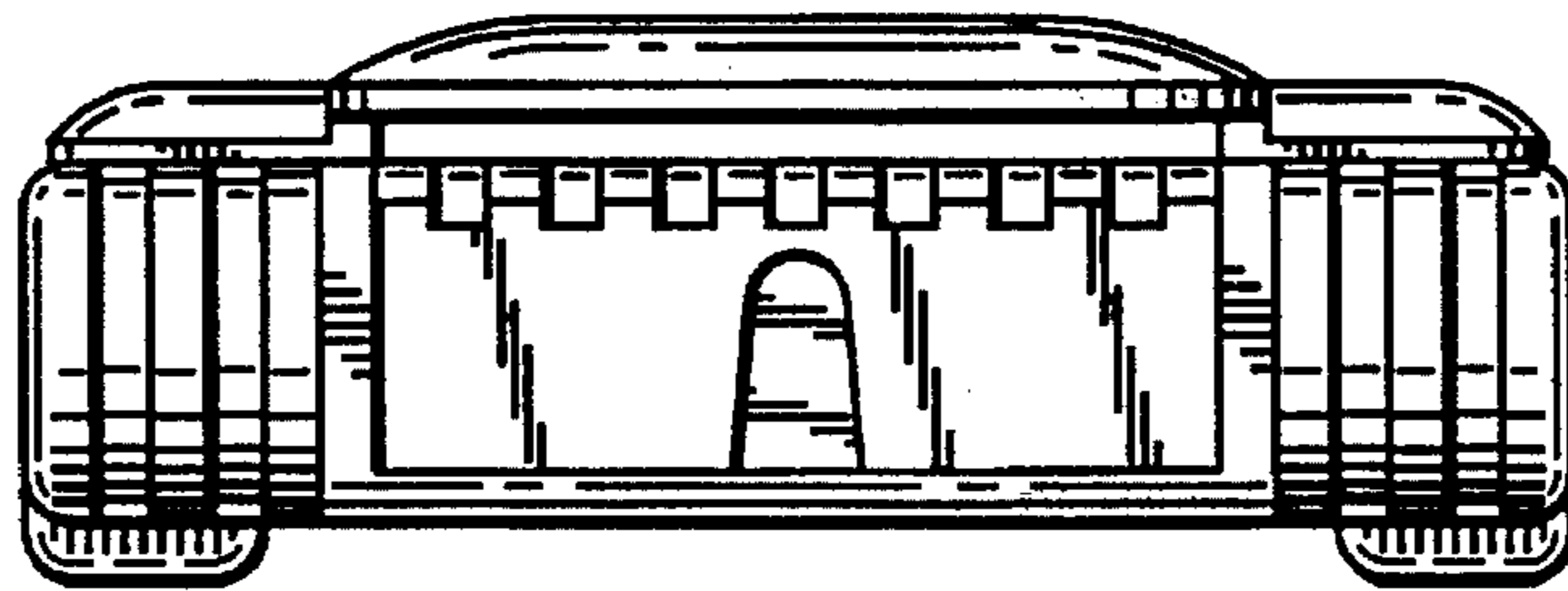


Fig. 2

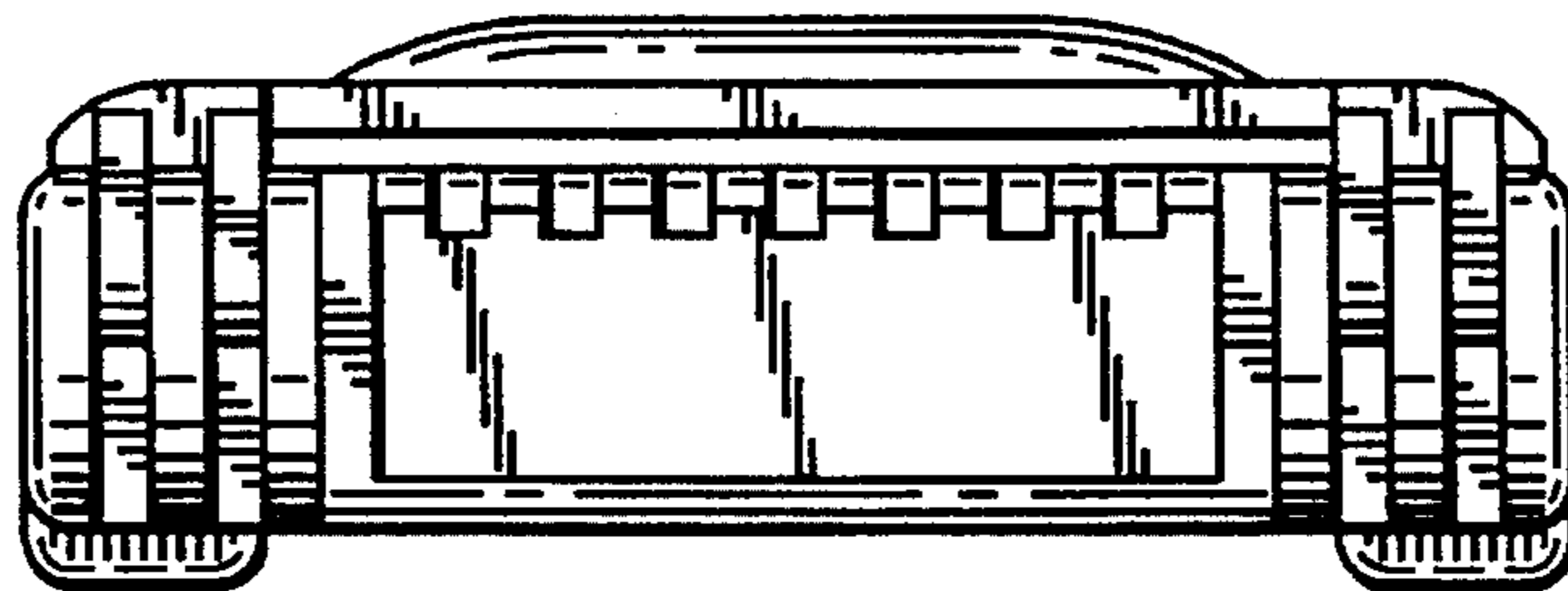


Fig. 3

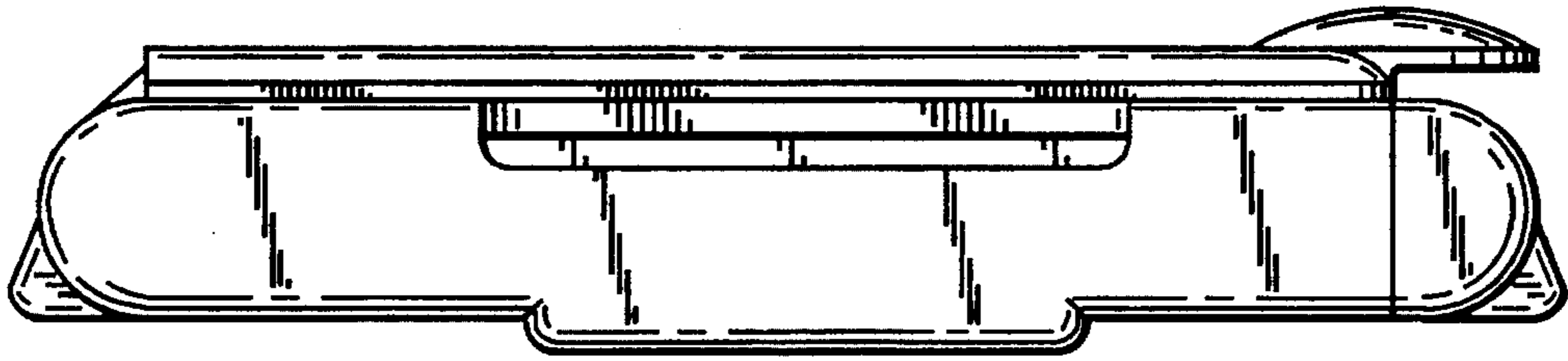


Fig. 4

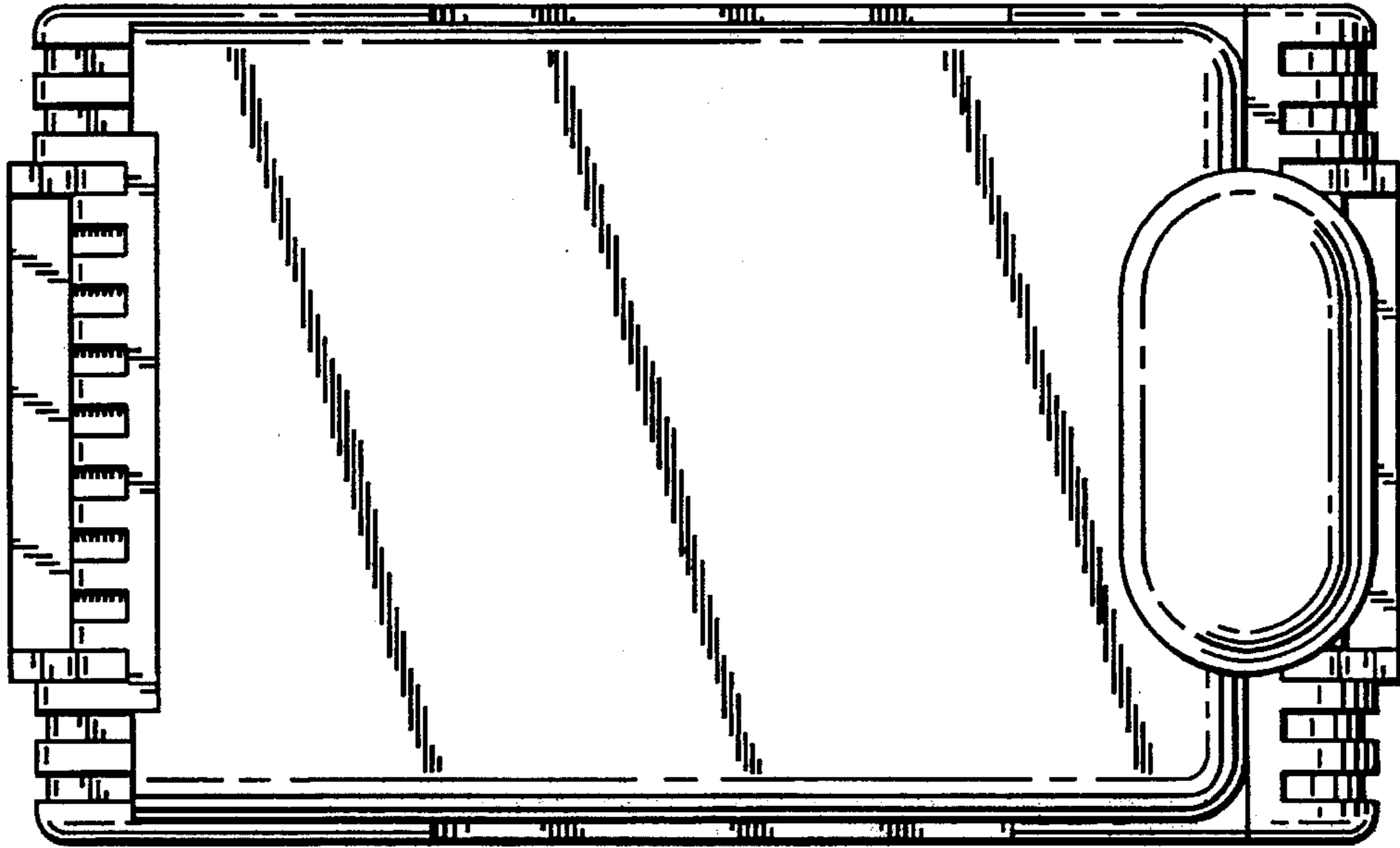


Fig. 5

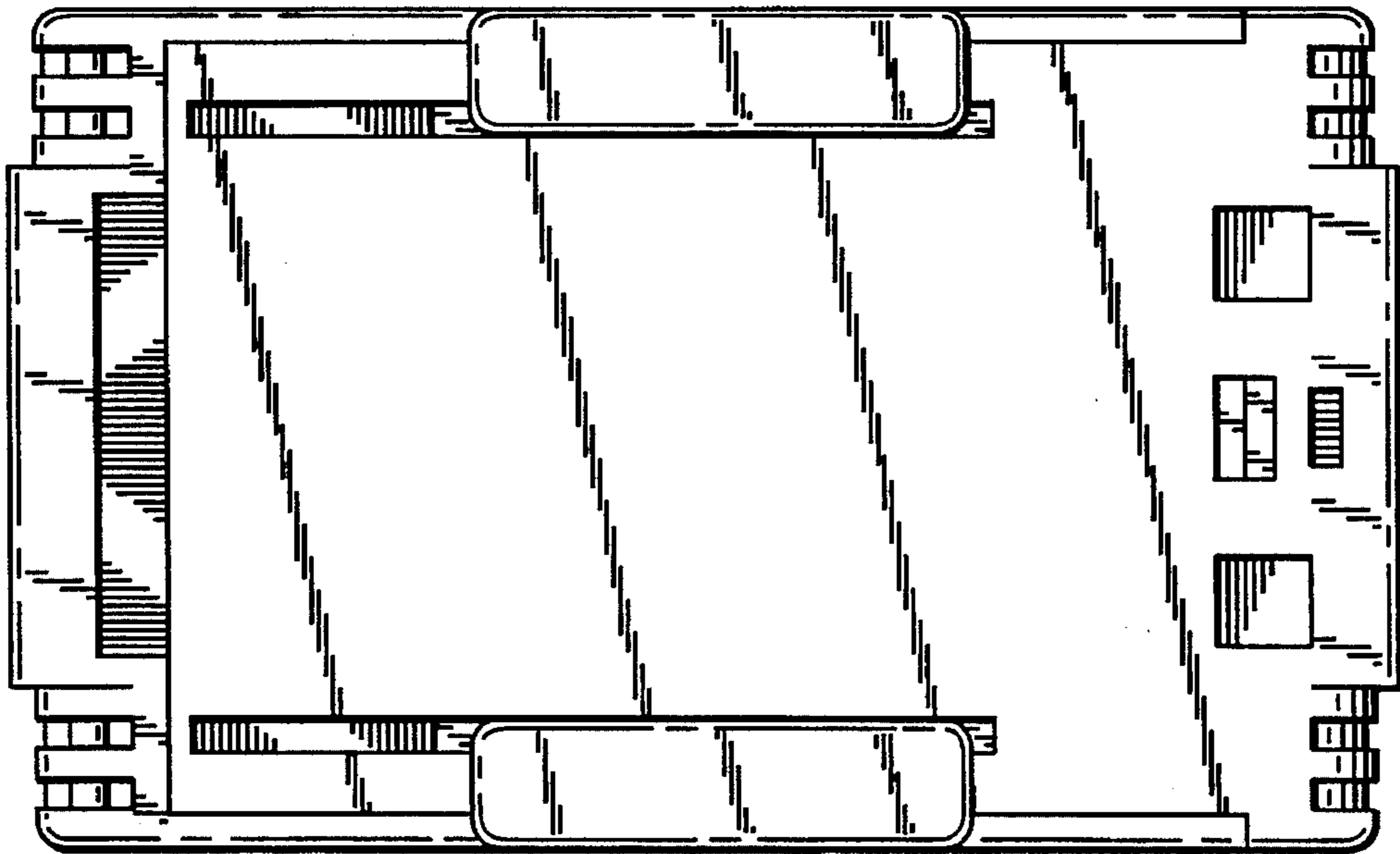


Fig. 6

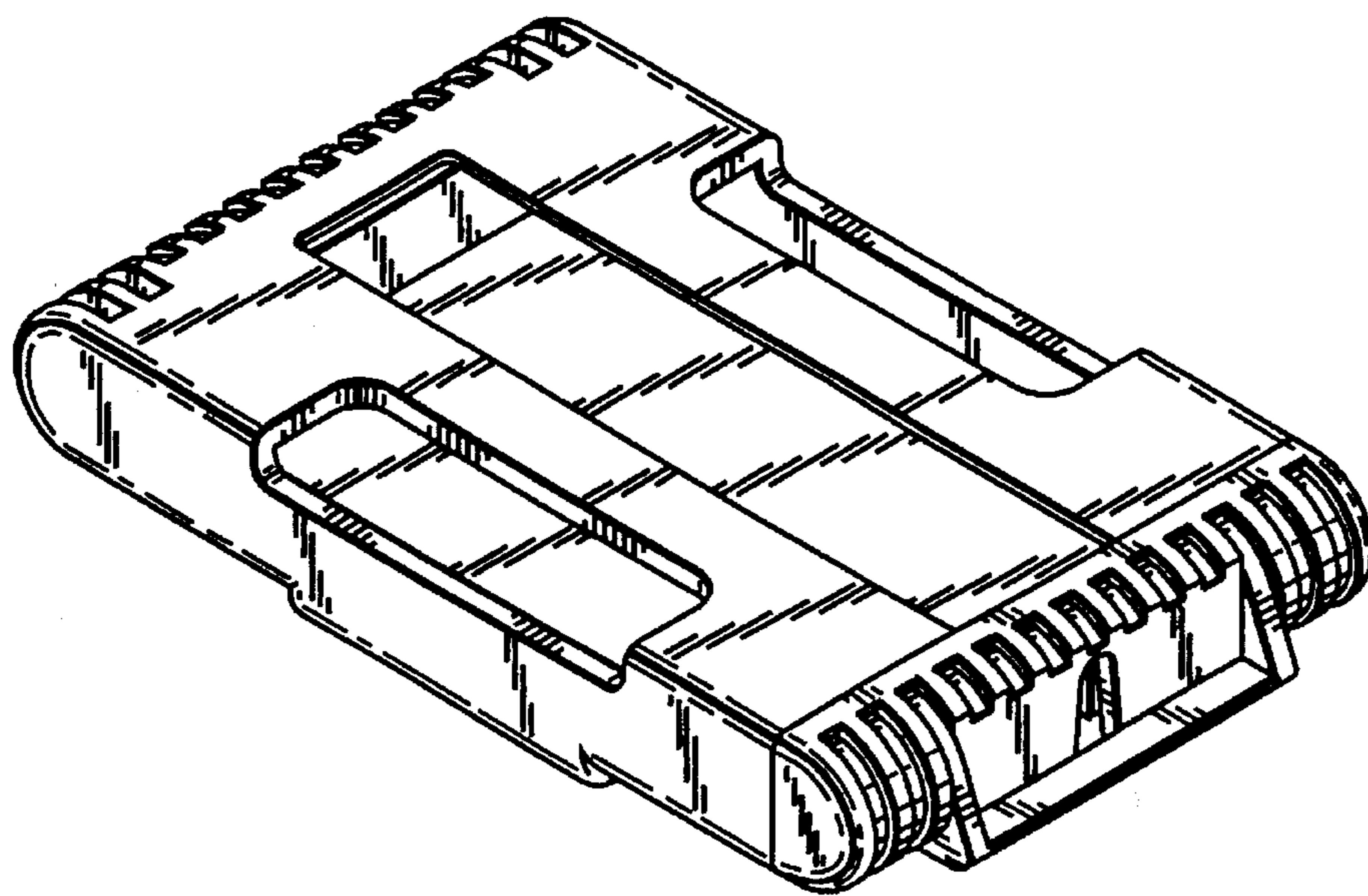


Fig. 7

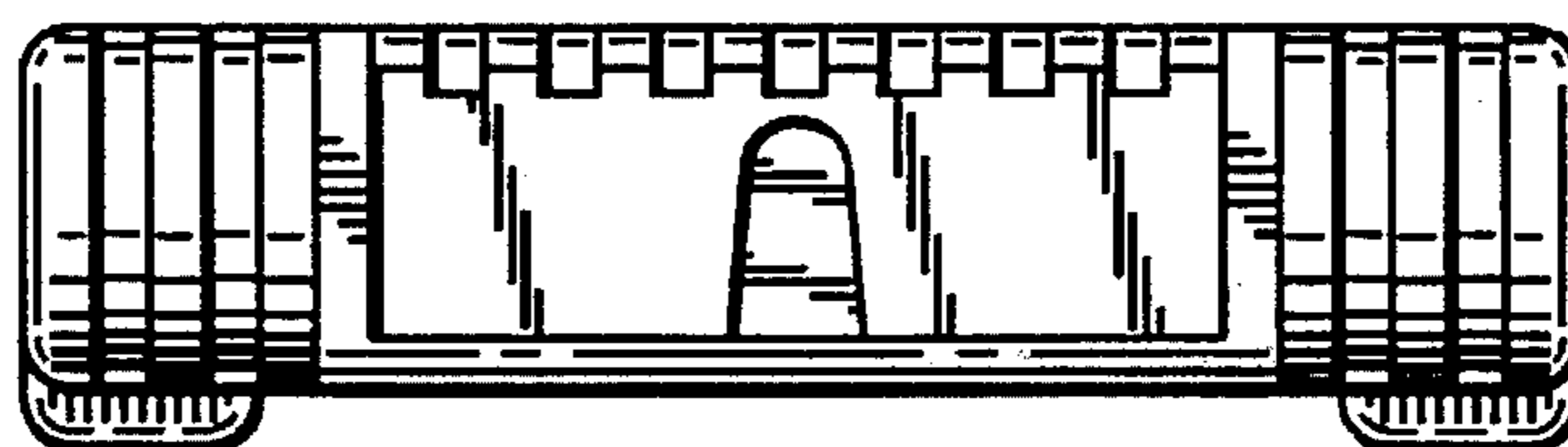


Fig. 8

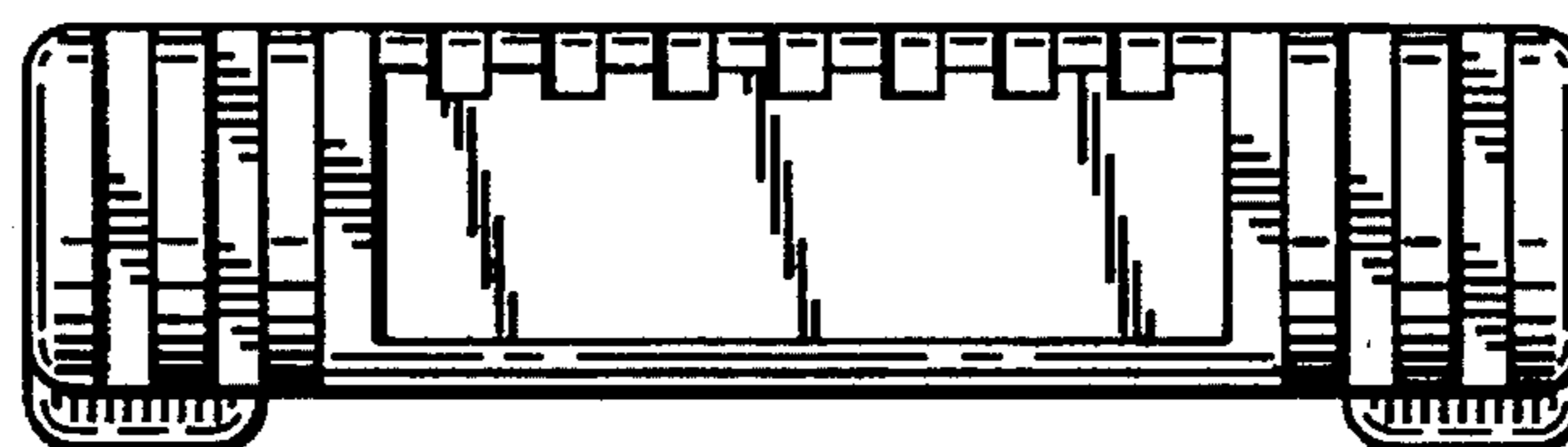


Fig. 9

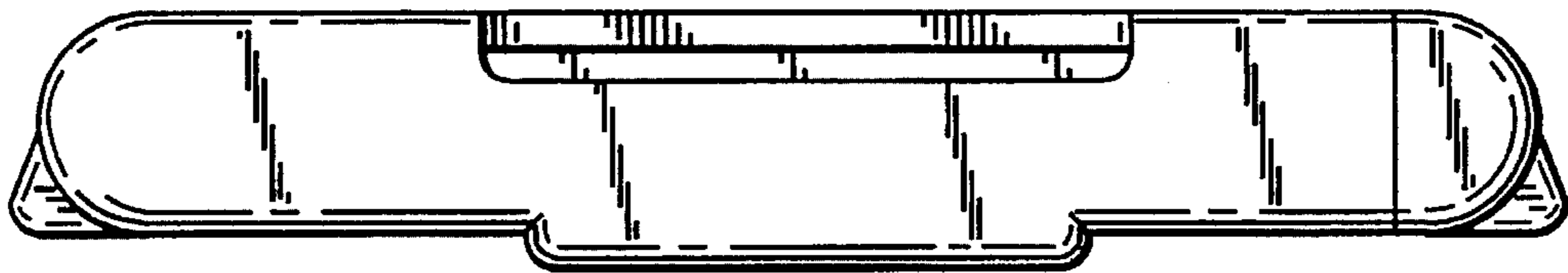


Fig. 10

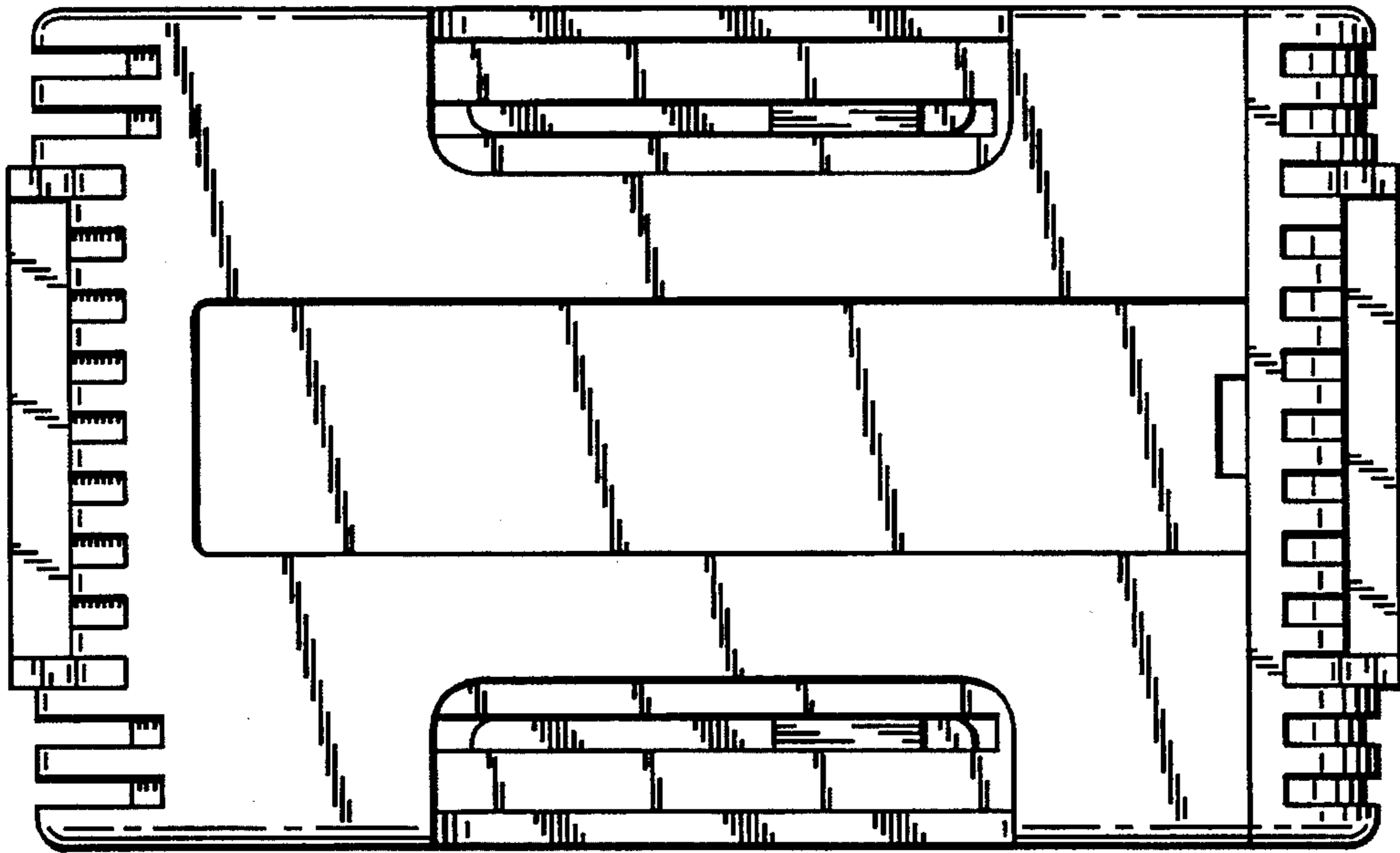


Fig. 11

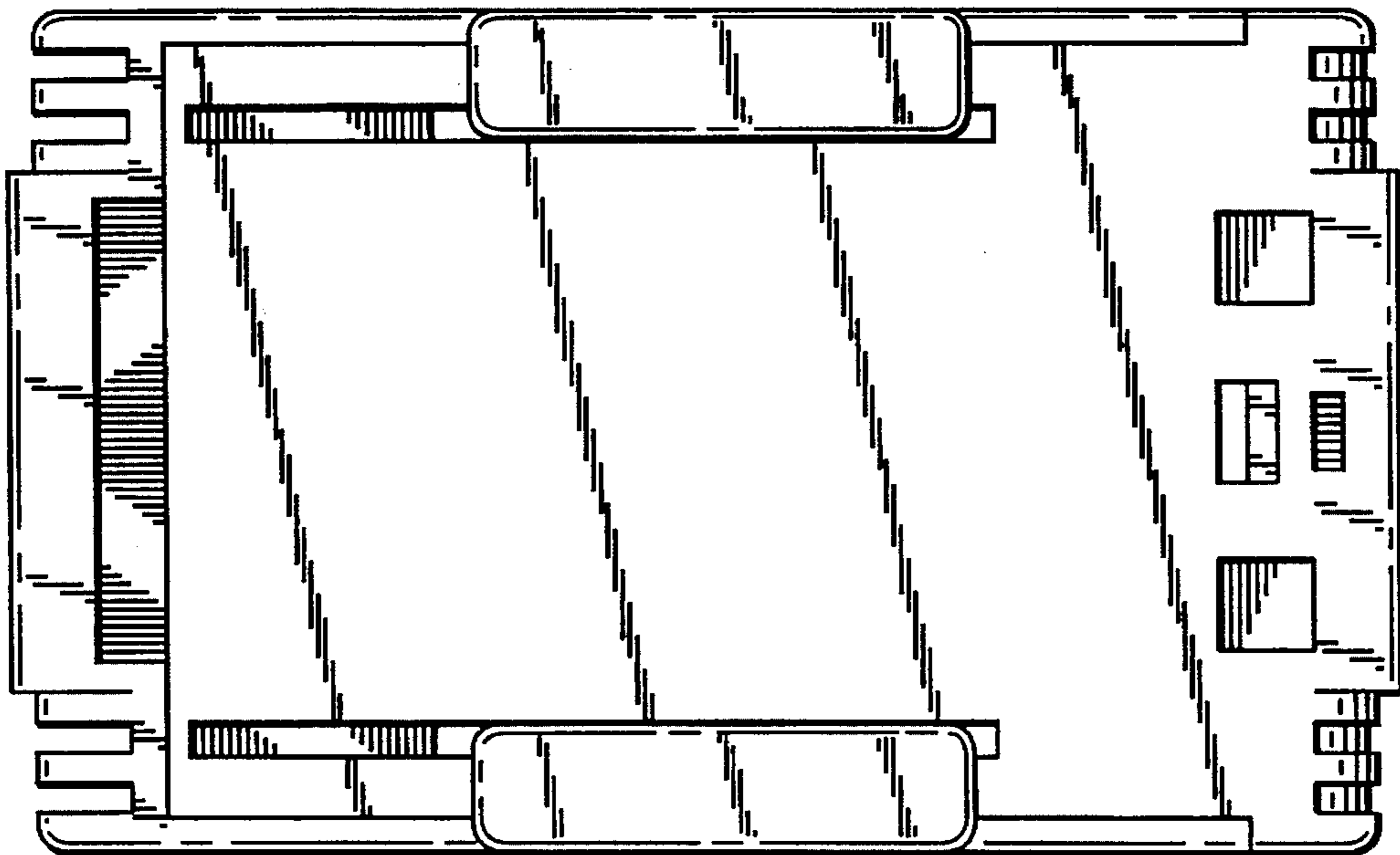


Fig. 12