



US00D368932S

United States Patent [19]
Mussalo

[11] **Patent Number:** **Des. 368,932**
[45] **Date of Patent:** ****Apr. 16, 1996**

[54] **PEN HOLDER**

[76] **Inventor:** **Petri Mussalo**, Rajakatu 42, 18100
Heinola, Finland

[**] **Term:** **14 Years**

[21] **Appl. No.:** **23,397**

[22] **Filed:** **May 24, 1994**

[30] **Foreign Application Priority Data**

Nov. 24, 1993 [FI] Finland 779/93

[52] **U.S. Cl.** **D19/83; D8/396; D19/100**

[58] **Field of Search** D19/35, 36, 77,
D19/81-85, 95, 99, 100; D21/59; D8/396,
72; 401/6, 7, 8, 88; 211/69.1-69.9

[56] **References Cited**

U.S. PATENT DOCUMENTS

- D. 2,610 4/1867 Harris D19/83 X
- D. 13,996 6/1883 Gray D19/83 X
- D. 30,046 1/1899 Pincus D19/81 X
- D. 105,582 8/1937 Houston D19/84

- D. 222,578 11/1971 Walker et al. D8/396 X
- D. 317,466 6/1991 Klodt D19/83
- D. 330,921 11/1992 LaMagna D21/59
- 3,893,602 10/1986 Barry .
- 4,597,690 7/1986 Girard D8/72
- 4,606,484 8/1986 Winter et al. 401/8
- 5,140,723 8/1992 Genzel .

Primary Examiner—Martie Thompson
Attorney, Agent, or Firm—Klauber & Jackson

[57] **CLAIM**

The ornamental design for a pen holder, as shown and described.

DESCRIPTION

FIG. 1 is a right-hand perspective view, showing the pen holder of my new design;
FIG. 2 is a front view thereof, the rear, left and right side views all being identical thereto;
FIG. 3 is a top view thereof; and,
FIG. 4 is a bottom view thereof.

1 Claim, 2 Drawing Sheets

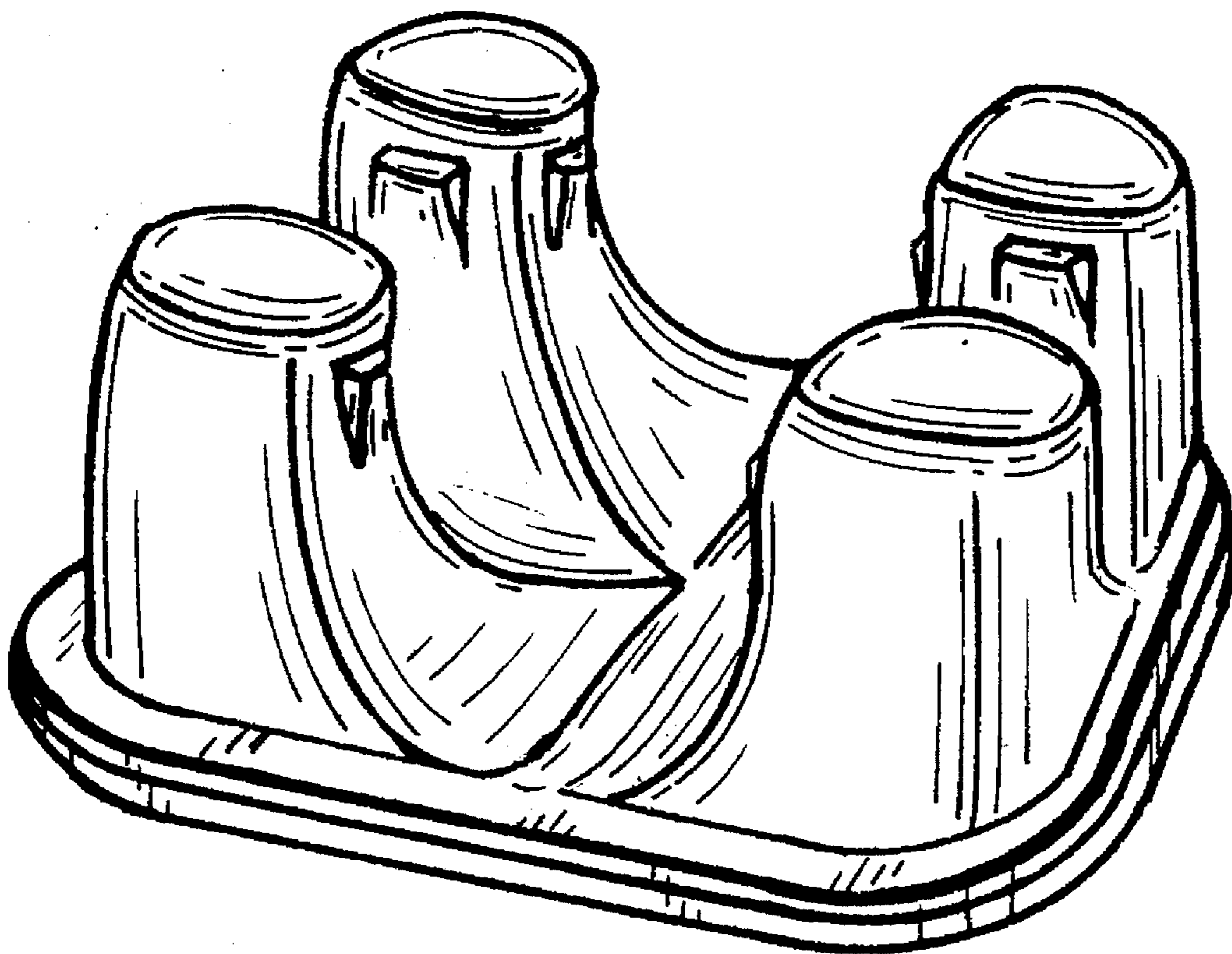


FIG. 1

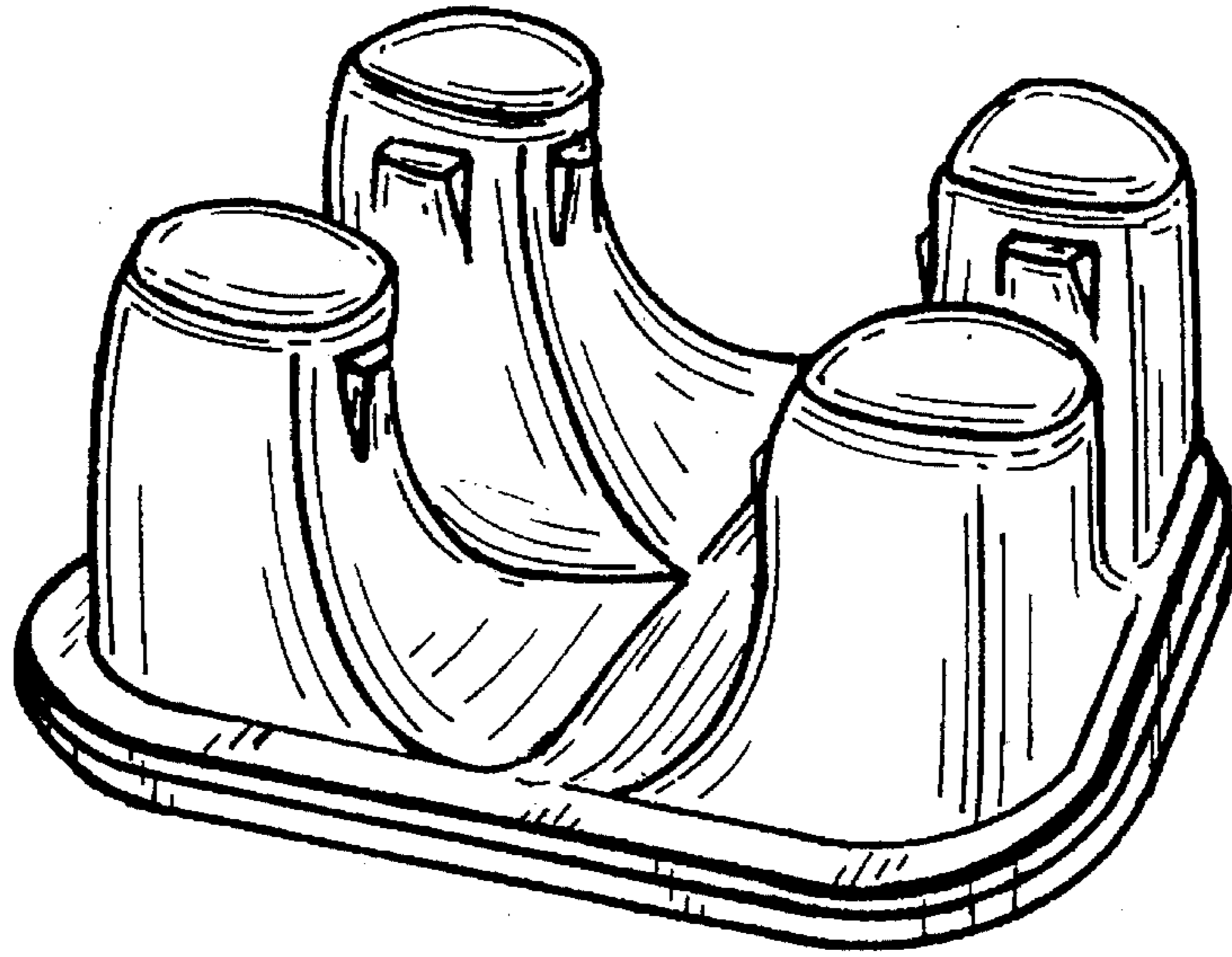


FIG. 2

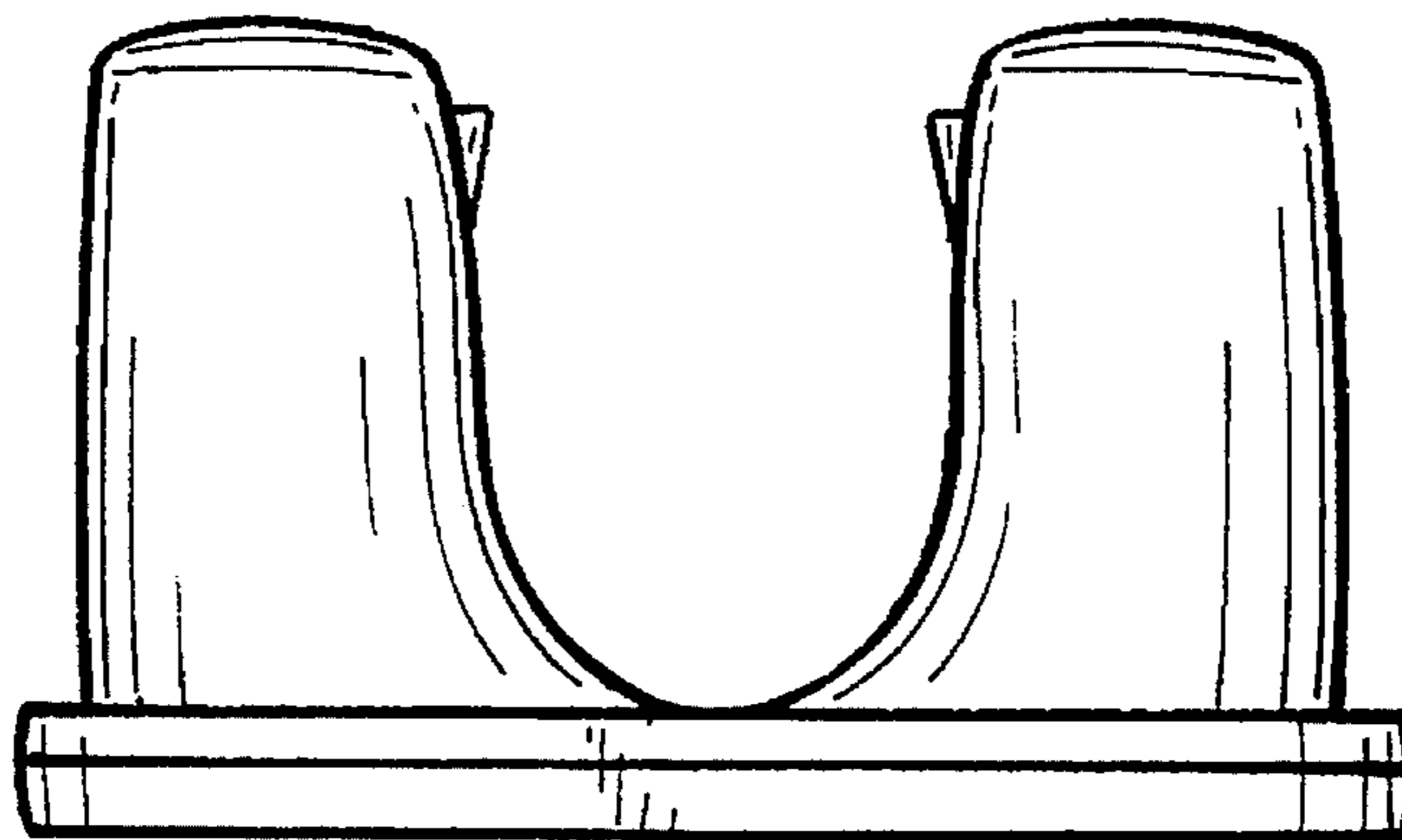


FIG. 3

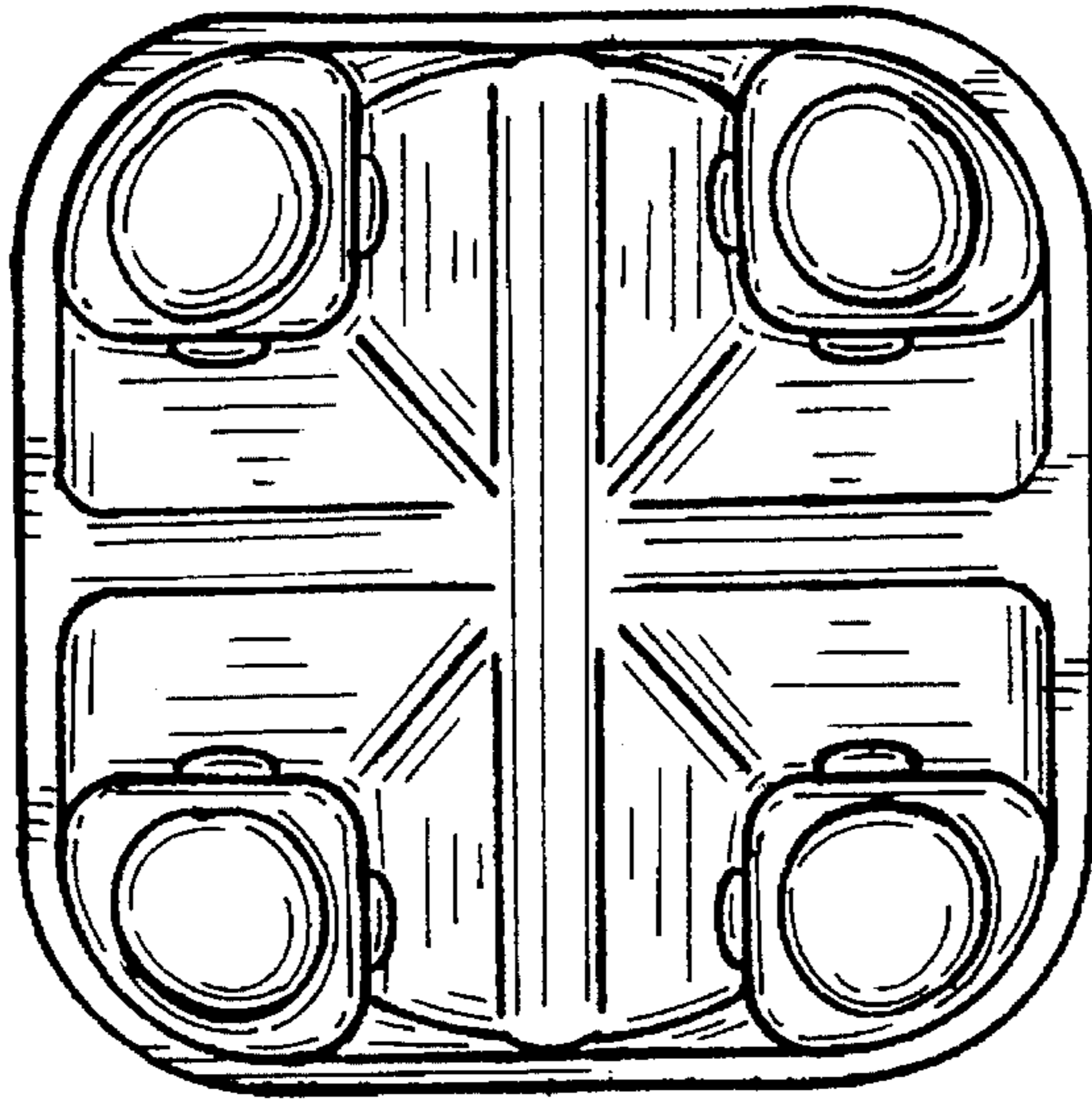


FIG. 4

