



US00D368928S

United States Patent [19]

[11] Patent Number: **Des. 368,928**

Byers et al.

[45] Date of Patent: ****Apr. 16, 1996**

[54] **PRINTER MEDIA FEED PLATE WITH A FLIP-UP GUIDE WALL**

3,707,911	1/1972	Patterson, Jr.	D18/56
4,955,595	9/1990	Kawano et al.	271/9
5,035,413	7/1991	Yamada et al.	271/228 X

[75] Inventors: **Gerald J. Byers**, Camas; **Thomas E. McCue**, Vancouver, both of Wash.

OTHER PUBLICATIONS

Hewlett Packard, see circled feeder plate, page center.

[73] Assignee: **Hewlett-Packard Company**, Palo Alto, Calif.

Primary Examiner—Martie Thompson
Attorney, Agent, or Firm—Flory L. Martin

[**] Term: **14 Years**

[57] CLAIM

[21] Appl. No.: **24,029**

The ornamental design for a printer media feed plate with a flip-up guide wall, as shown and described.

[22] Filed: **Jun. 6, 1994**

DESCRIPTION

[52] U.S. Cl. **D18/56; D18/49**

[58] Field of Search D18/46, 54, 55, D18/56, 49, 50, 99; D14/114, 105; 271/9, 145, 162-164, 228, 265; 400/605, 624, 625, 629

FIG. 1 is a perspective view of a printer media feed plate with a flip-up guide wall in accordance with the present invention shown with the guide wall in lowered position for feeding conventional media widths, such as letter, legal, or A-4 sized media;

FIG. 2 is a perspective view of the printer media feed plate of FIG. 1 with the guide wall in an upright position for feeding narrower media;

FIG. 3 is a top plan view thereof;

FIG. 4 is a bottom plan view thereof;

FIG. 5 is a front elevational view thereof;

FIG. 6 is a rear elevational view thereof;

FIG. 7 is a left side elevational view thereof; and,

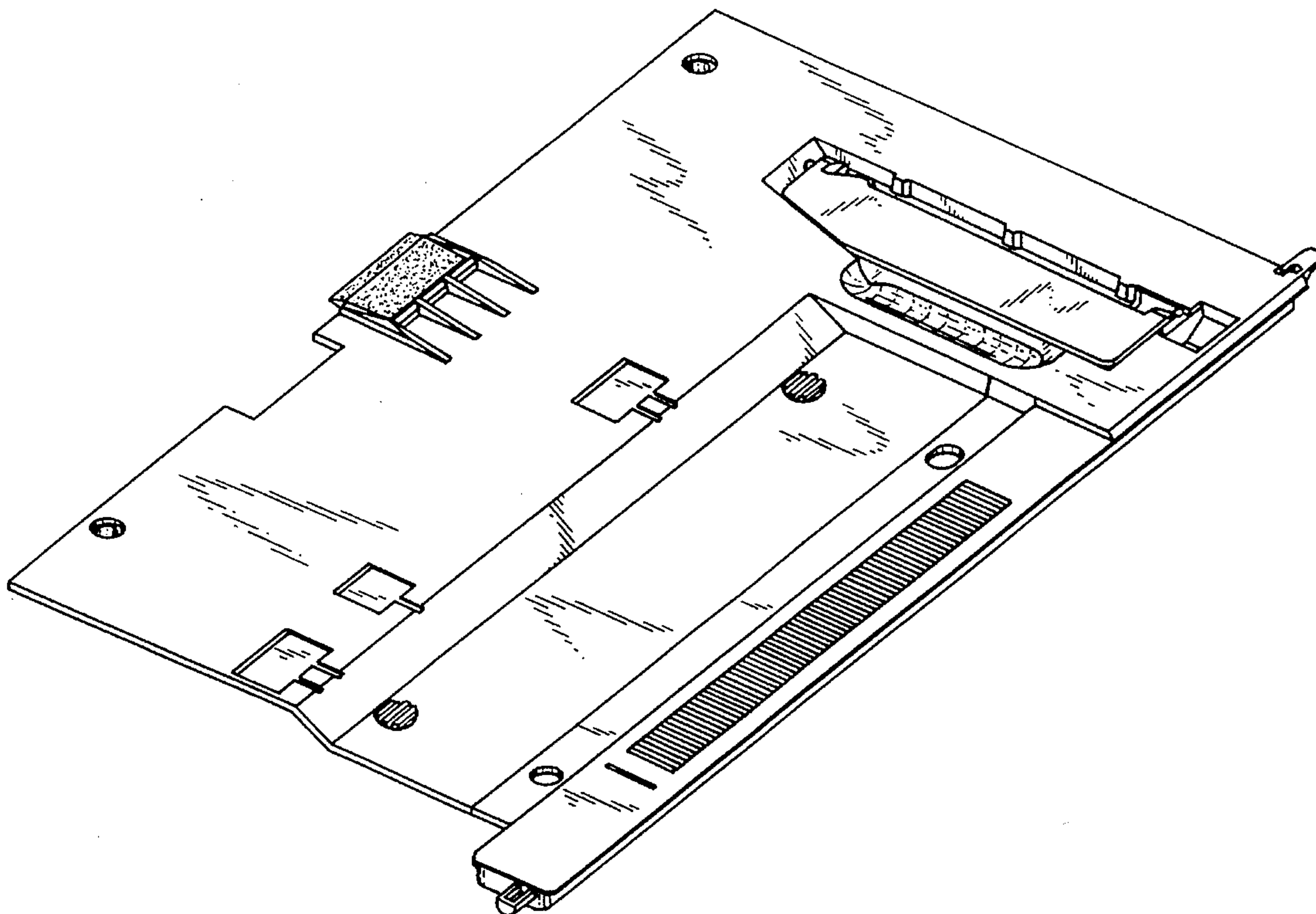
FIG. 8 is a right side elevational view thereof.

[56] References Cited

U.S. PATENT DOCUMENTS

D. 299,833	2/1989	Hirata	D18/49
D. 312,475	11/1990	Yoshida	D18/54
D. 322,090	12/1991	McClelland et al.	D18/55
D. 326,278	5/1992	Grosse	D18/54
D. 329,455	9/1992	Sugihara et al.	D18/49
D. 330,385	10/1992	Urnino	D18/56 X
D. 331,256	11/1992	Fukuda	D18/46
D. 332,798	1/1993	Crowe et al.	D18/55
D. 351,615	10/1994	James, III et al.	D18/55

1 Claim, 7 Drawing Sheets



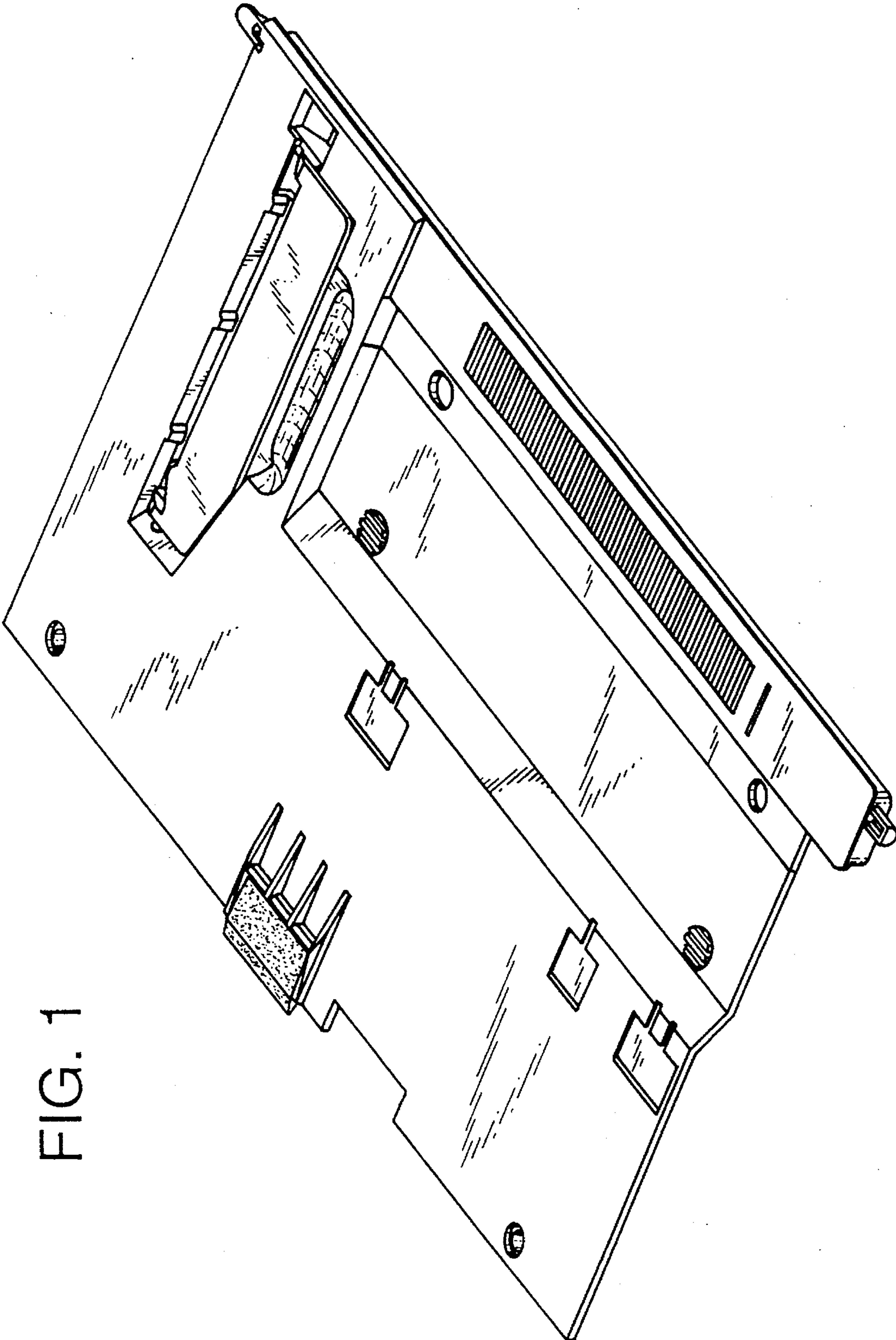


FIG. 1

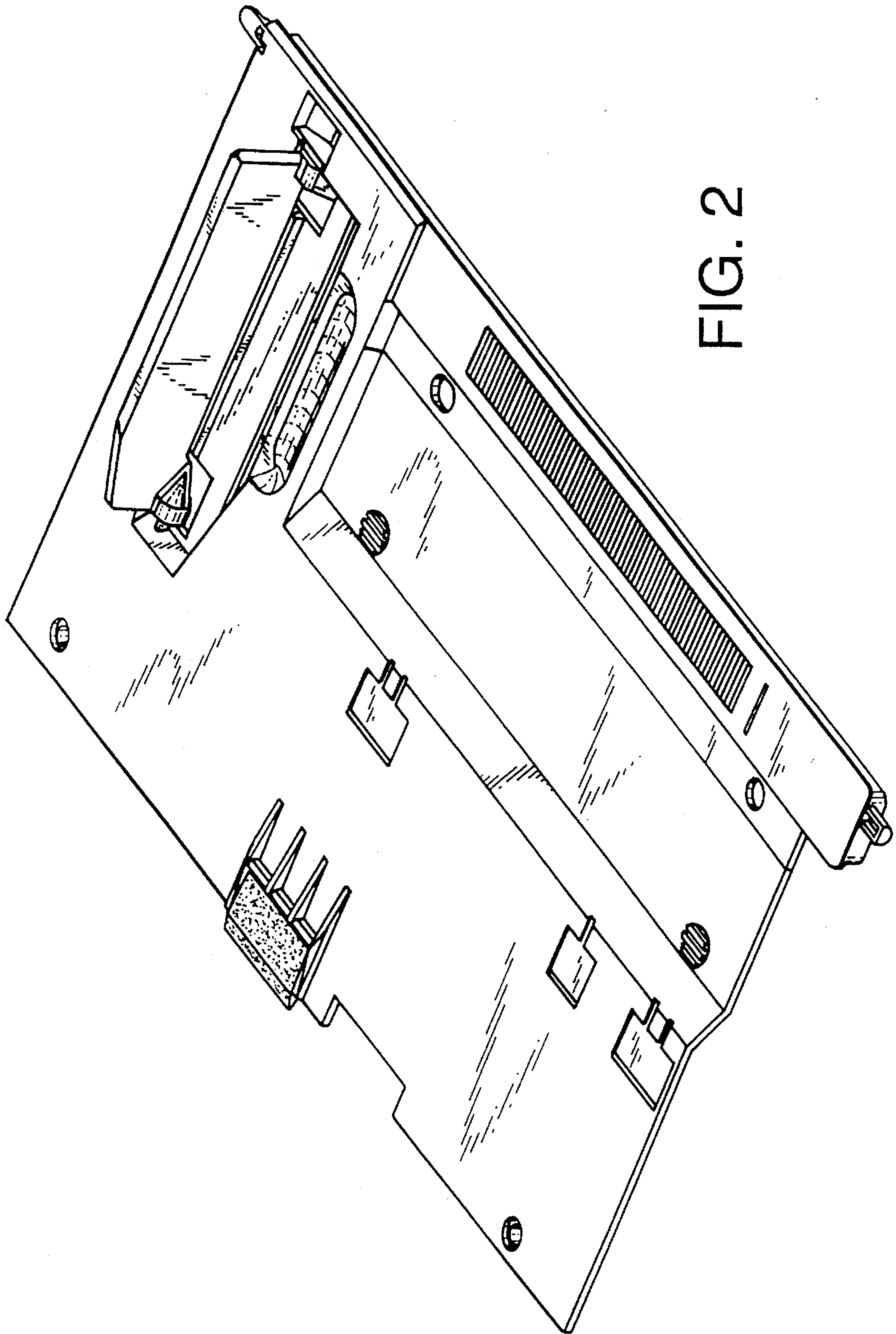


FIG. 2

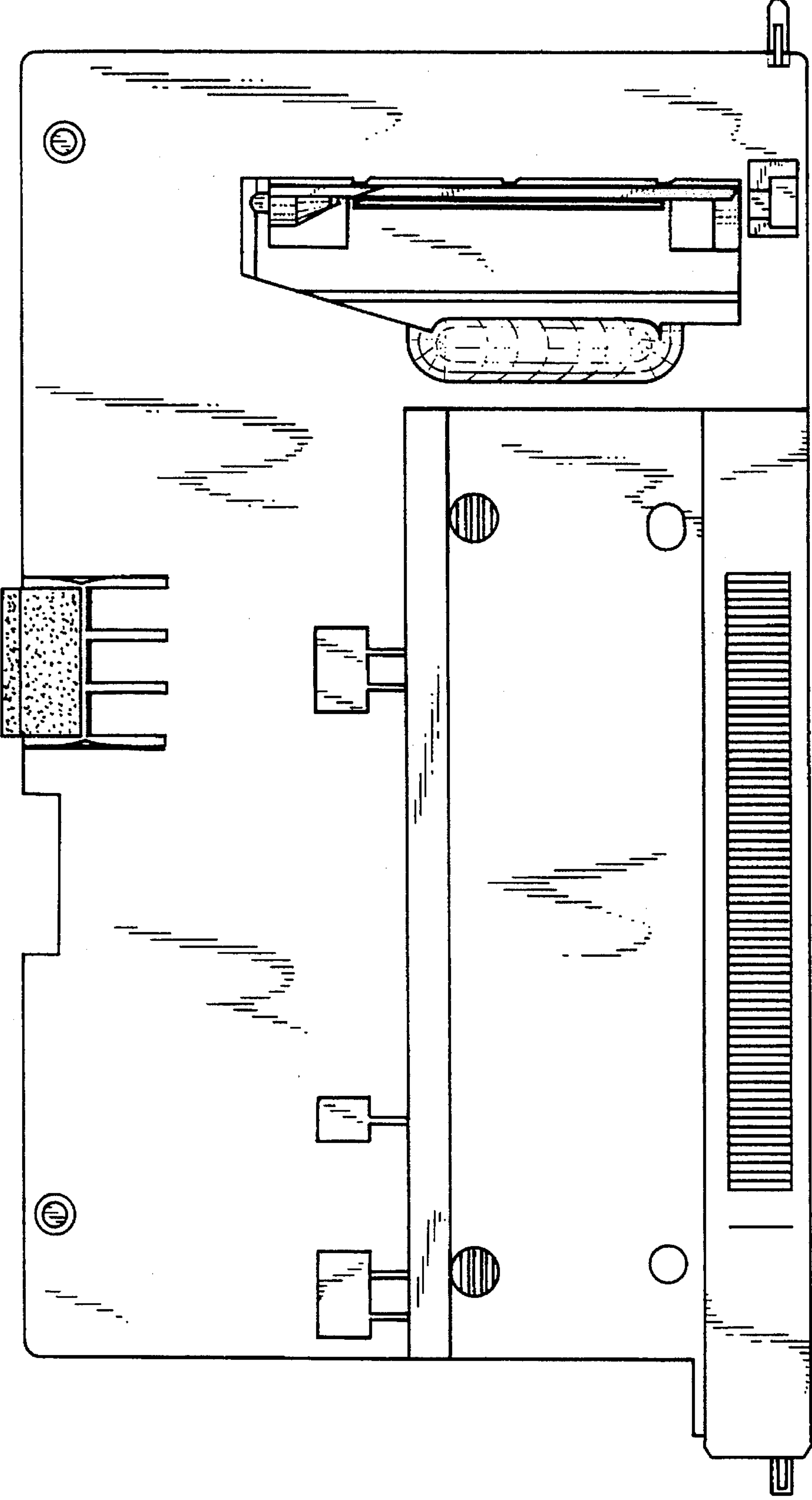


FIG. 3

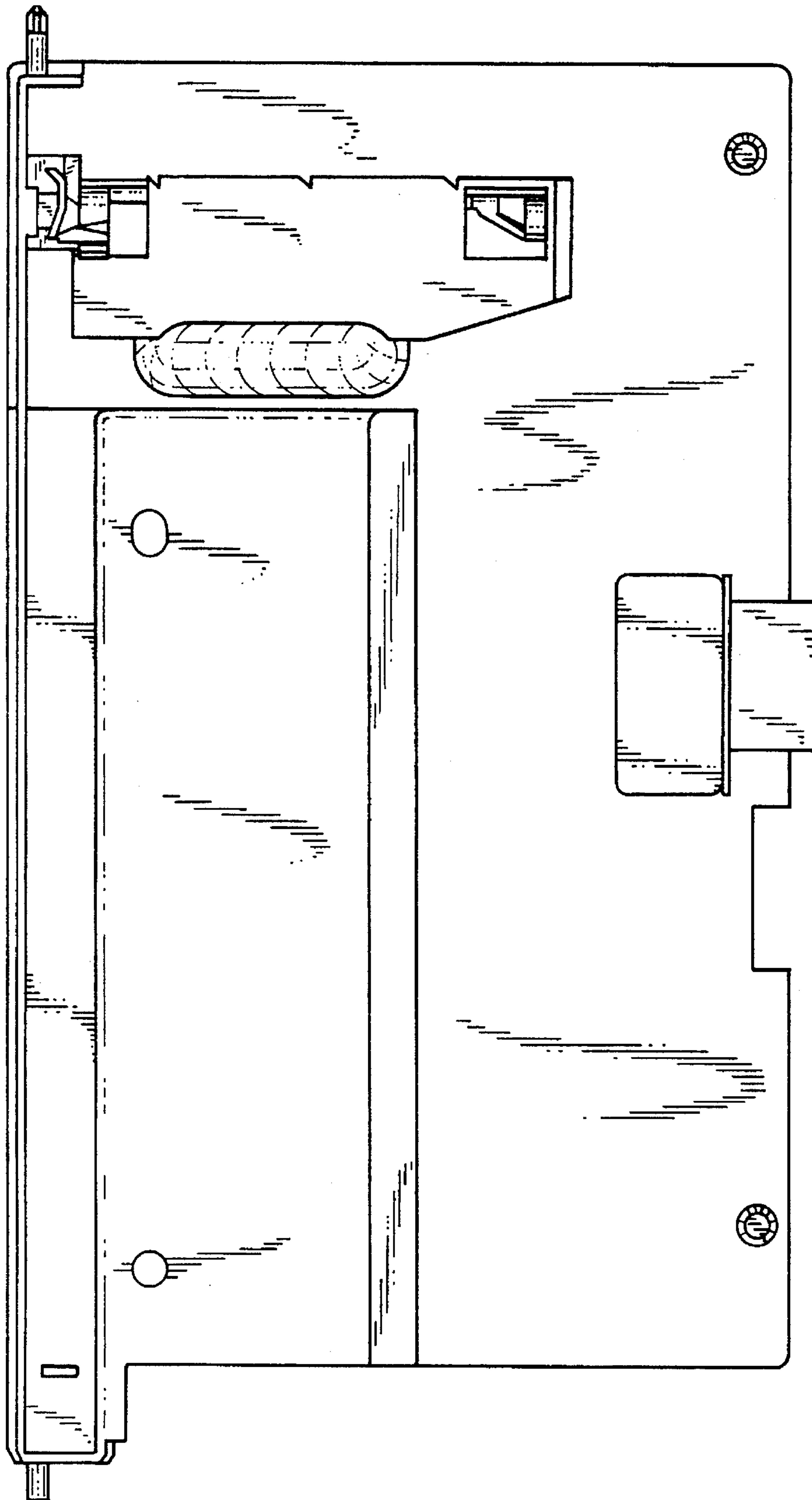


FIG. 4

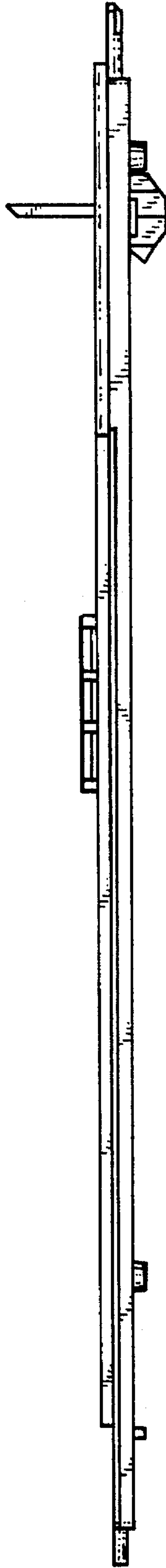


FIG. 5

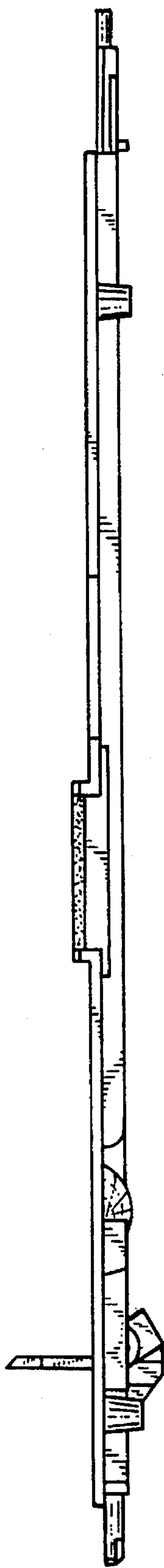


FIG. 6

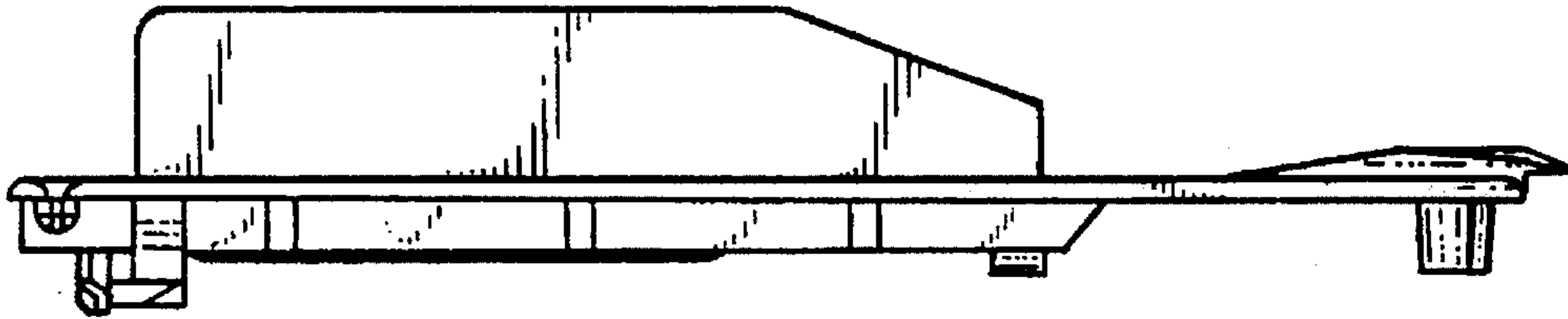


FIG. 7

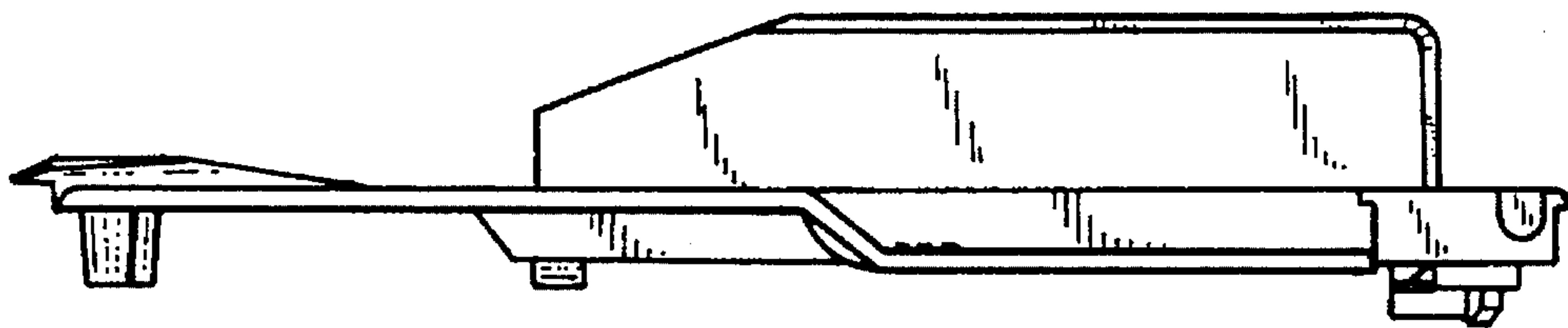


FIG. 8