



US00D368926S

United States Patent [19]

Petralia

[11] Patent Number: **Des. 368,926**

[45] Date of Patent: ****Apr. 16, 1996**

[54] DECORATIVE COVER FOR HAND STAMPS

[75] Inventor: **Salvatore C. Petralia**, Sayreville, N.J.

[73] Assignee: **M&R Marking Systems, Inc.**,
Piscataway, N.J.

[**] Term: **14 Years**

[21] Appl. No.: **29,785**

[22] Filed: **Oct. 17, 1994**

[52] U.S. Cl. **D18/18; D18/15**

[58] Field of Search **D18/14, 15, 16,**
D18/18, 19; D19/65; 101/103, 104, 105,
111, 327, 368, 371-373, 379, 405, 406,
333-335

1,345,255	6/1920	Rushworth .	
2,079,080	5/1937	Melind .	
2,312,727	3/1943	Nisenson .	
2,939,390	6/1960	Clausing .	
4,172,419	10/1979	Munyon	101/368 X
4,212,839	7/1980	Funahashi	101/333 X
5,048,415	9/1991	Shih	101/103
5,058,501	10/1991	Skopek .	

Primary Examiner—Martie Thompson
Attorney, Agent, or Firm—Lerner, David, Littenberg, Krumholz & Mentlik

[57] CLAIM

The ornamental design for a decorative cover for hand stamps, as shown and described.

DESCRIPTION

FIG. 1 is a front perspective view of a decorative cover for hand stamps showing our new design; FIG. 2 is a front view thereof; FIG. 3 is a rear view thereof; FIG. 4 is a right side view thereof, the left side view being a mirror image of the right side view; FIG. 5 is a top plan view thereof; and, FIG. 6 is a bottom plan view thereof. The broken lines depicting the hand stamp body in the figures have been shown for illustrative purposes only and forms no part of the claimed design.

[56] References Cited

U.S. PATENT DOCUMENTS

78,446	6/1868	Fessler .	
D. 176,581	1/1956	Albert .	
D. 218,714	9/1970	Erignac .	
D. 283,629	4/1986	Hewitt et al.	D18/15
D. 319,462	8/1991	Shih	D18/15
D. 321,365	1/1992	Bostick .	
405,704	6/1889	Hill .	
669,137	3/1901	Dobbel .	
1,025,019	4/1912	Price .	
1,042,766	10/1912	Carleton .	
1,121,940	12/1914	Nagel .	

1 Claim, 4 Drawing Sheets

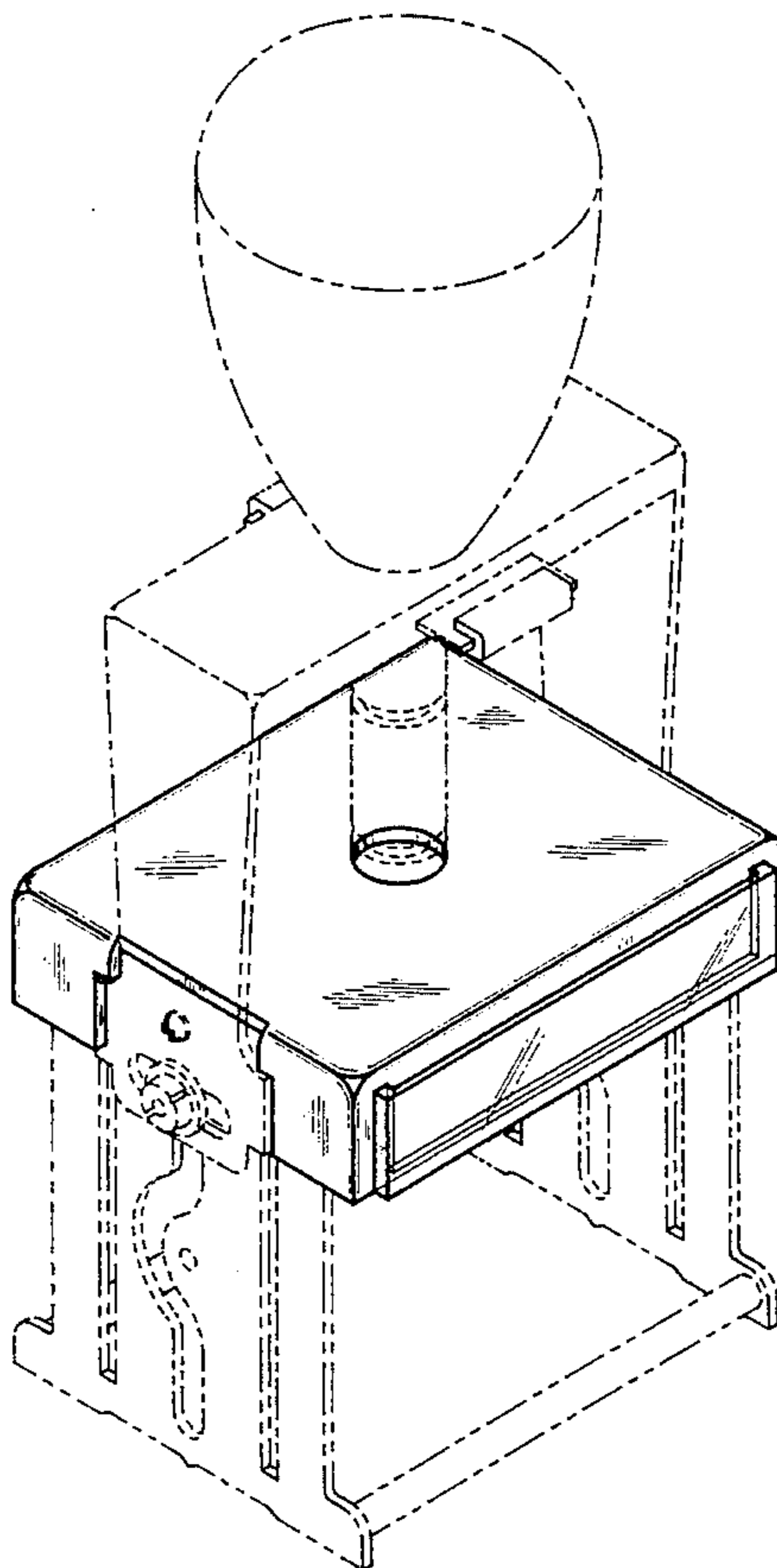


FIG. 1

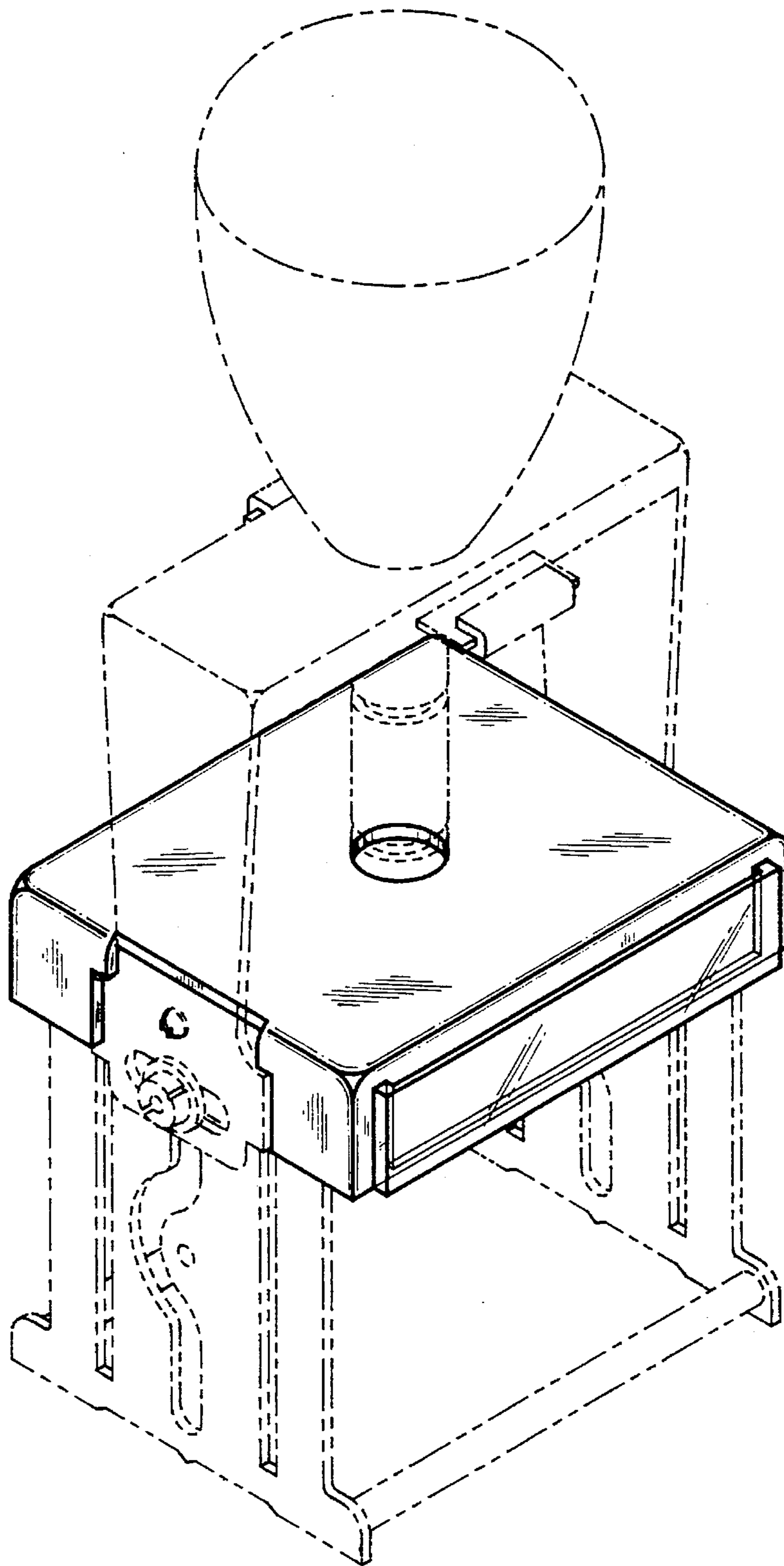


FIG. 2

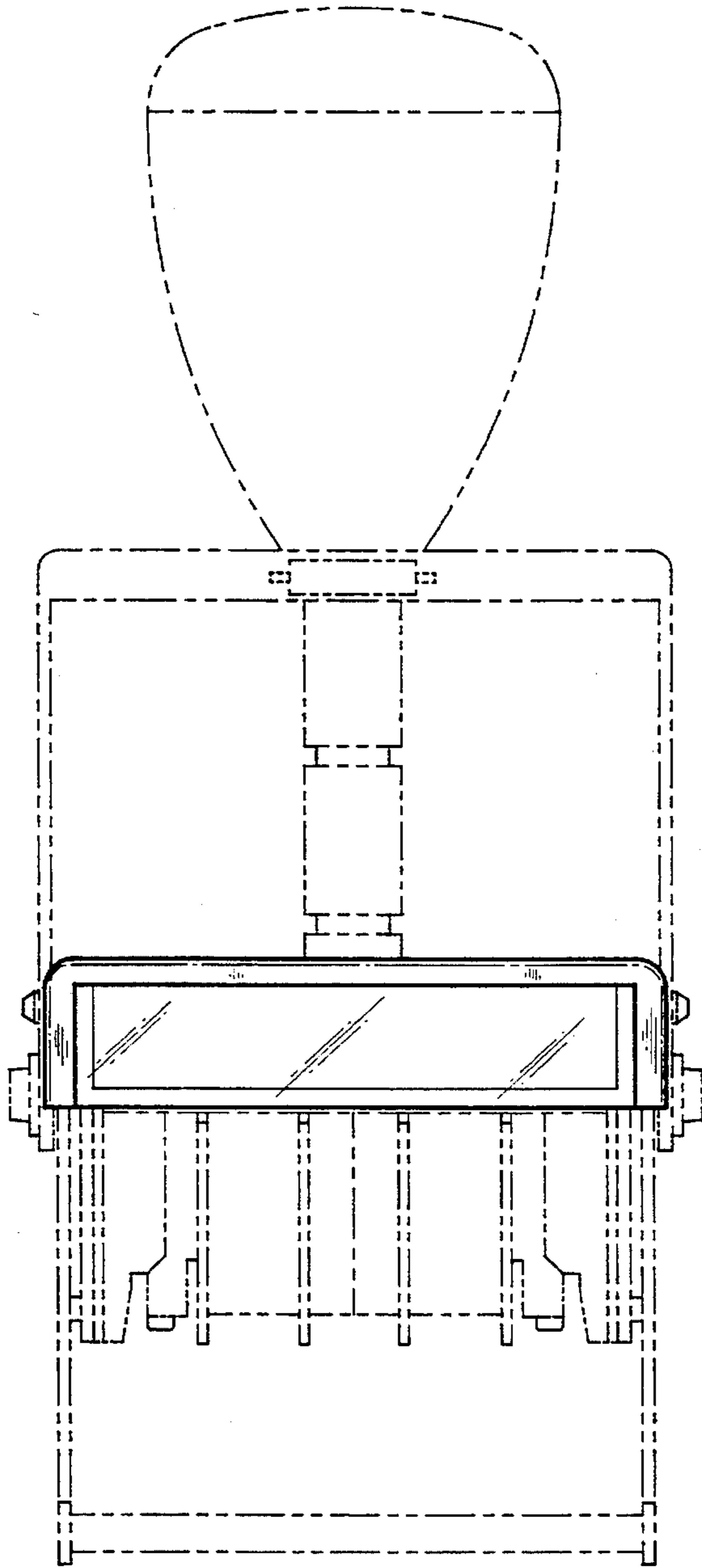


FIG. 4

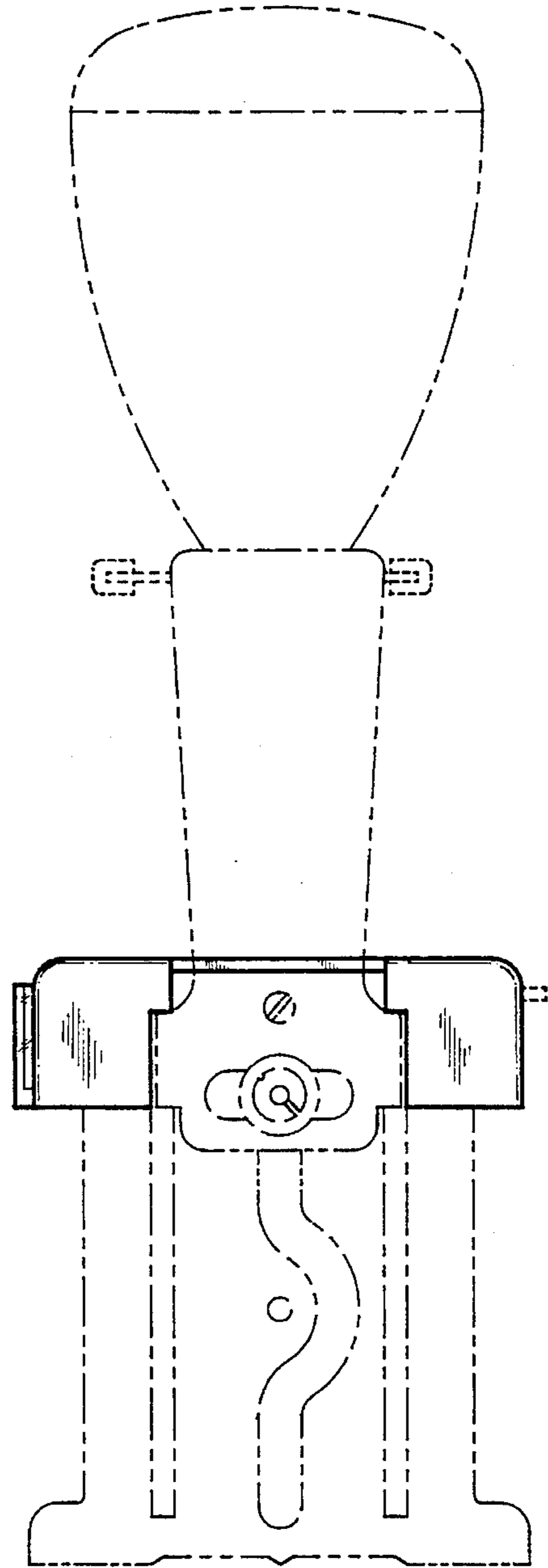


FIG. 3

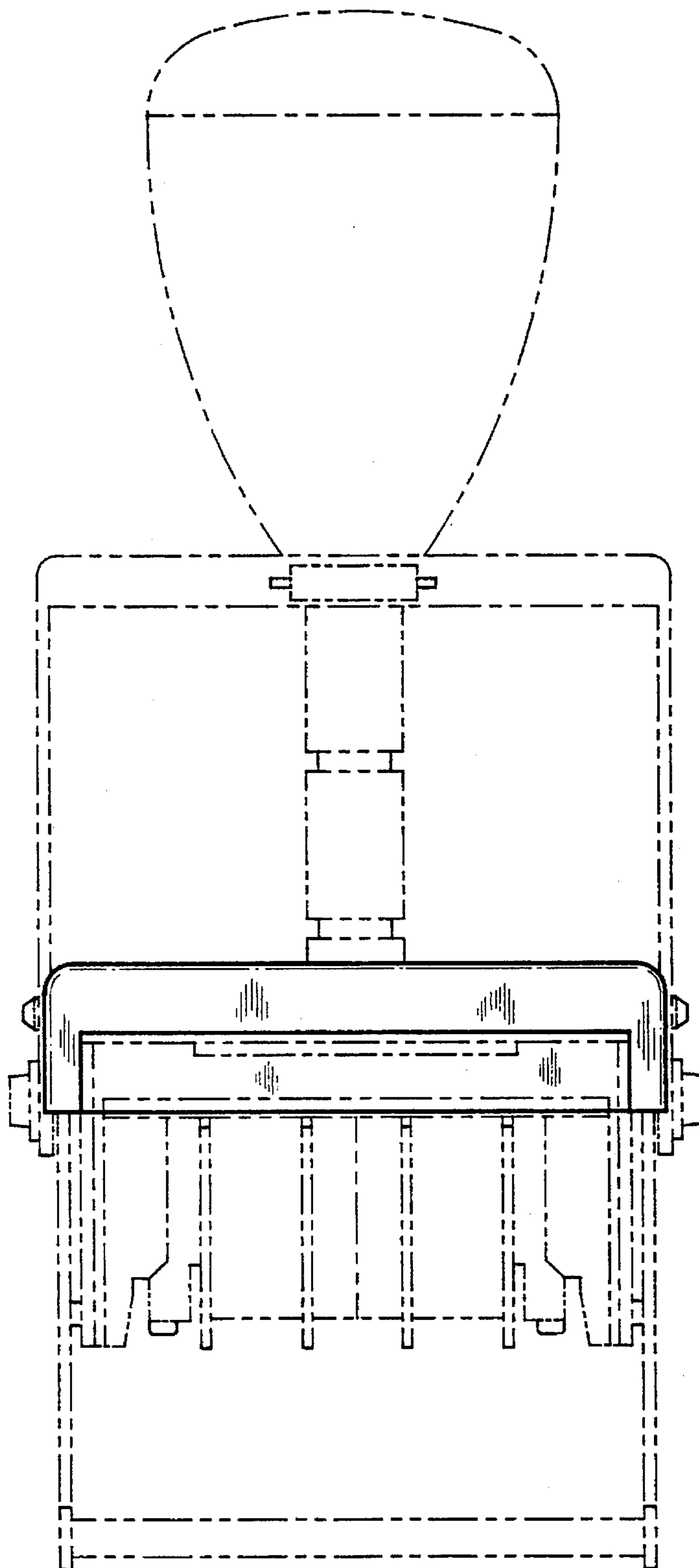


FIG. 5

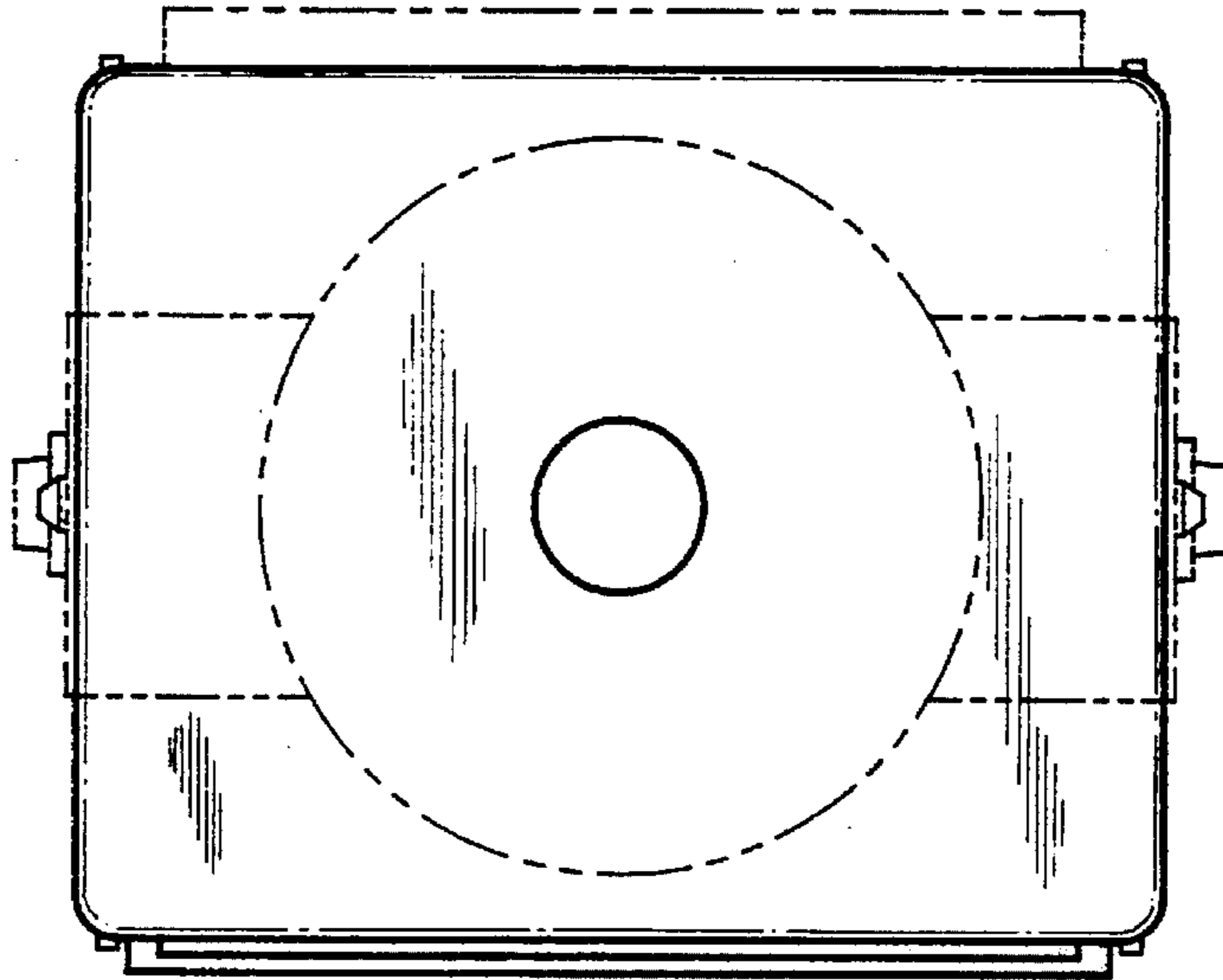


FIG. 6

