



US00D368919S

United States Patent [19]

[11] Patent Number: **Des. 368,919**

Lannoch

[45] Date of Patent: ****Apr. 16, 1996**

[54] GEAR BOX

[75] Inventor: **Hans-Jürgen Lannoch**, Hochstetten, Germany

[73] Assignee: **Sew-Eurodrive GmbH & Co.**, Bruchsal, Germany

[**] Term: **14 Years**

[21] Appl. No.: **25,764**

[22] Filed: **Jul. 11, 1994**

[30] Foreign Application Priority Data

Apr. 11, 1994 [WO] WIPO DM/029302

[52] U.S. Cl. **D15/148**

[58] Field of Search D15/5, 148; 74/489, 74/606 R, 606 A, 607; 474/82, 144, 146; 476/42

[56] References Cited

U.S. PATENT DOCUMENTS

D. 288,821 3/1987 MacDonald D15/148
5,172,605 12/1992 Schwartz 74/606 R X
5,207,121 5/1993 Bien 74/606 R

Primary Examiner—Antoine Duval Davis
Attorney, Agent, or Firm—Antonelli, Terry, Stout & Kraus

[57] CLAIM

The ornamental design for a gear box, as shown and described.

DESCRIPTION

FIG. 1 is a front perspective view of a gear box in accordance with my new design, showing the front, top, and one end thereof;

FIG. 2 is a rear perspective view of the gear box of FIG. 1, showing the rear, top and second end thereof;

FIG. 3 is a front perspective view of another gear box in accordance with my new design, showing the front, top, and one end thereof;

FIG. 4 is a rear perspective view of the gear box of FIG. 3, showing the rear, top, and second end thereof;

FIG. 5 is a front perspective view of further gear box in accordance with my new design, showing the front, top, and one end thereof; and,

FIG. 6 is a rear perspective view of the gear box of FIG. 5, showing the rear, top, and second end thereof.

The bottom views are not shown in any of the embodiments because said surfaces do not constitute apart of the claimed design.

The broken line showings are for illustrative purposes only and forms no part of the claimed design.

1 Claim, 6 Drawing Sheets

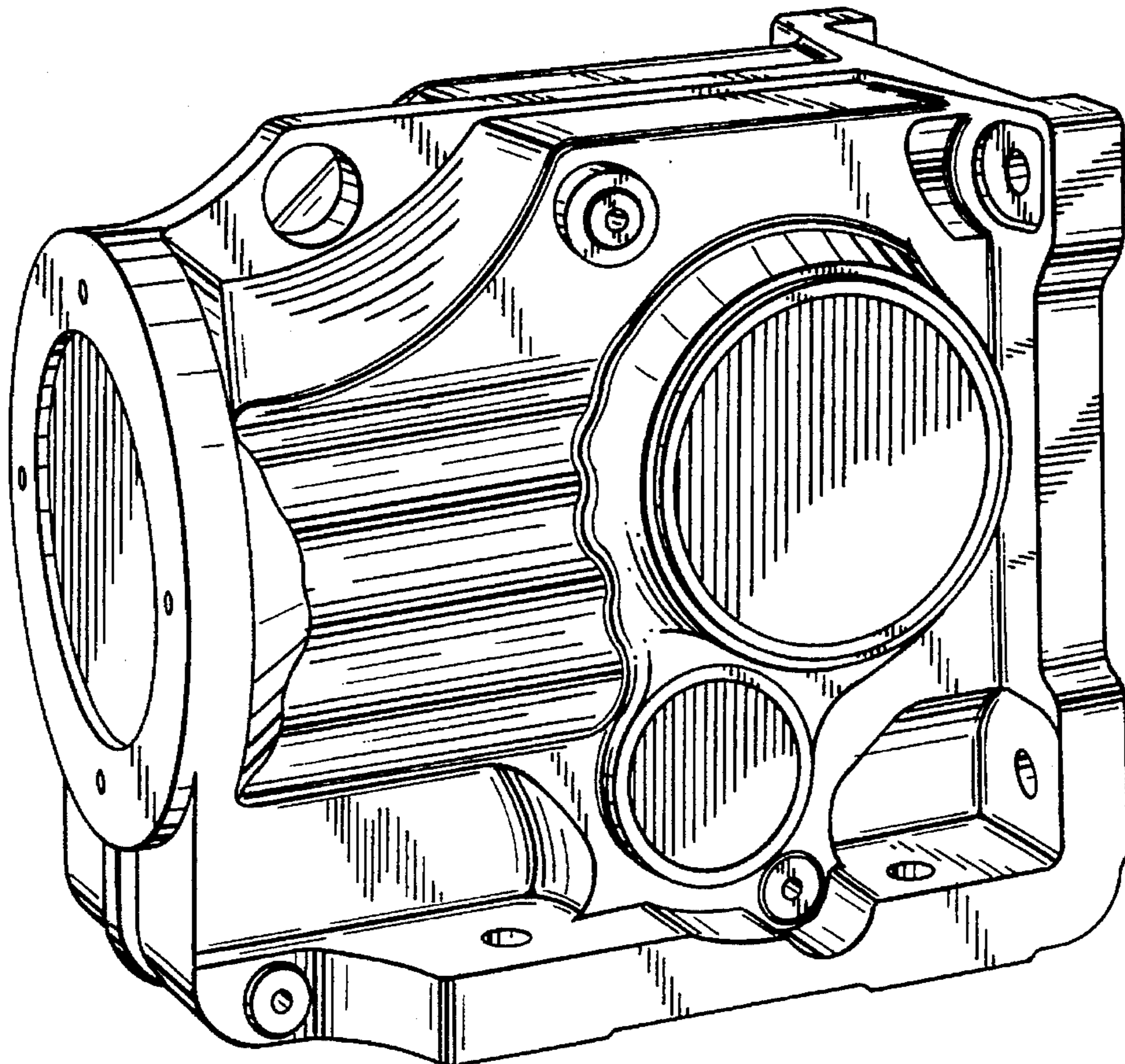


FIG. 1

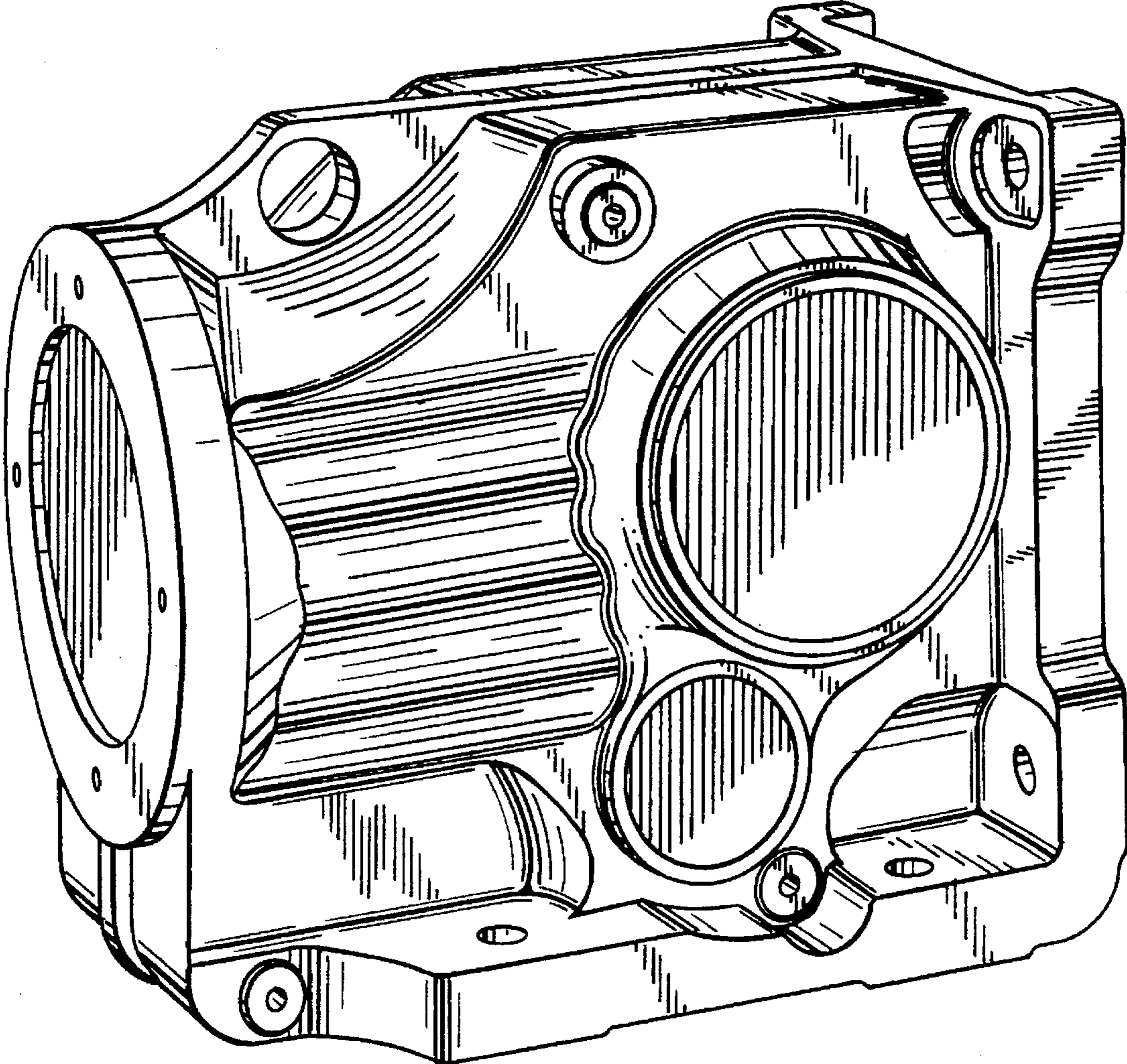


FIG. 2

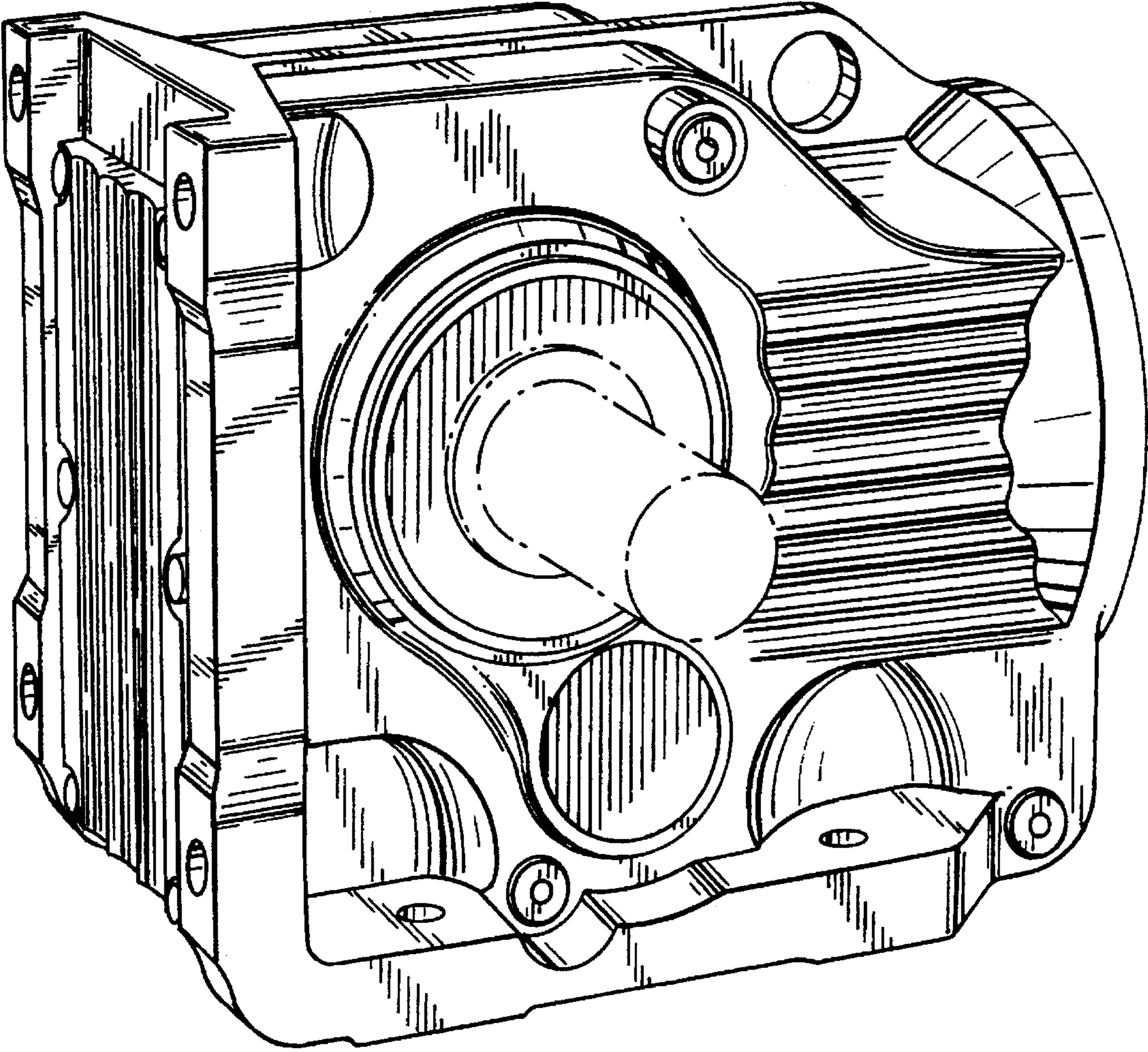


FIG. 3

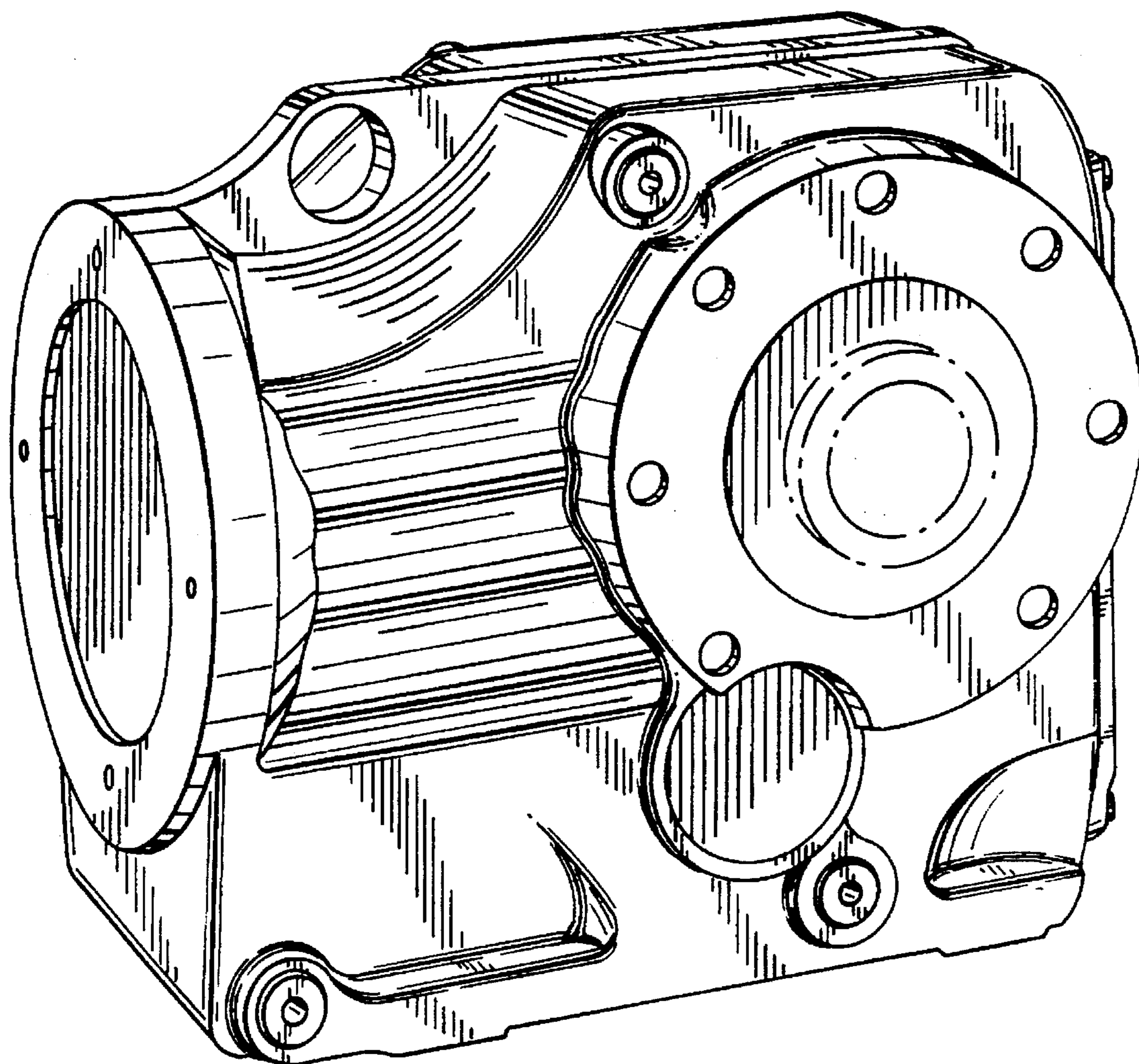


FIG. 4

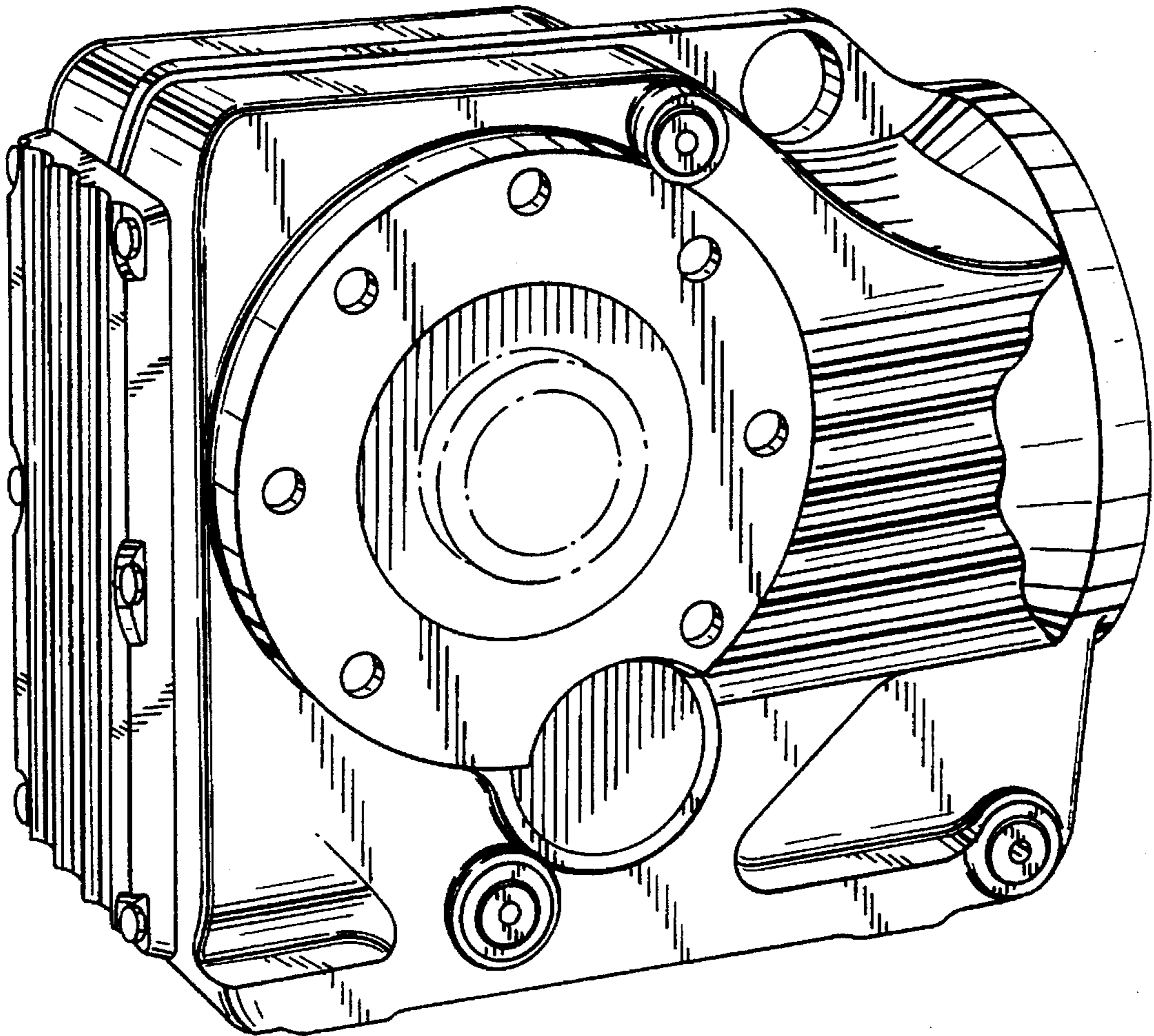


FIG. 5

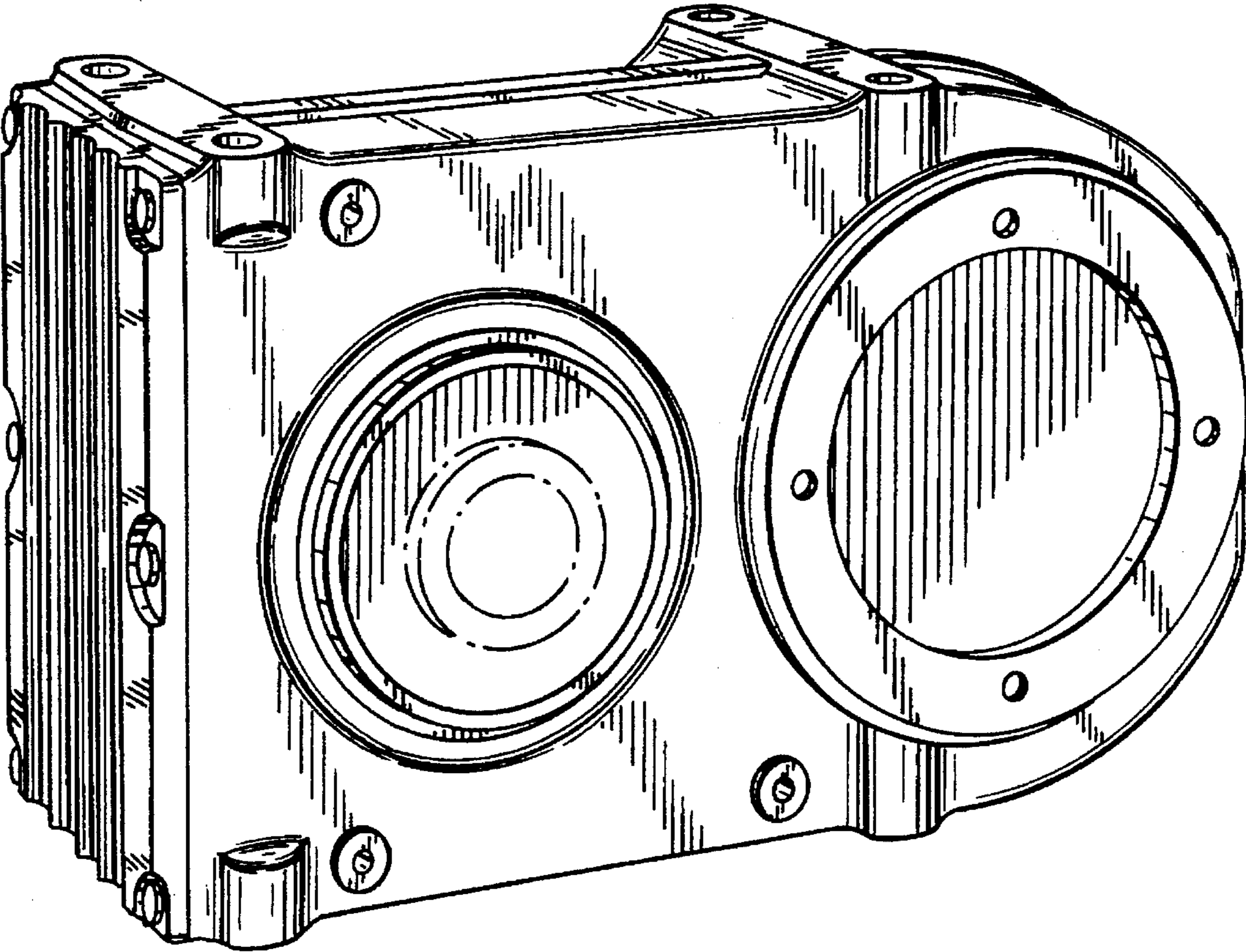


FIG. 6

