



US00D368914S

United States Patent [19]

[11] Patent Number: **Des. 368,914**

Pink et al.

[45] Date of Patent: ****Apr. 16, 1996**

[54] **FERTILIZER SPREADER HOPPER**

[75] Inventors: **Anthony N. Pink**, Shorewood; **Joseph J. Walto**, Carver, both of Minn.

[73] Assignee: **The Toro Company**, Bloomington, Minn.

[**] Term: **14 Years**

[21] Appl. No.: **22,880**

[22] Filed: **May 13, 1994**

[52] U.S. Cl. **D15/13; D15/28**

[58] Field of Search **D15/13, 28; 56/16.8, 56/DIG. 5; 239/289, 661, 670, 687-689**

[56] **References Cited**

U.S. PATENT DOCUMENTS

Re. 32,067	1/1986	Emory	56/16.8
D. 221,287	7/1971	Enters	D15/10
D. 240,152	6/1976	Raffler et al.	D15/13
D. 284,666	7/1986	Amerine	D15/13
D. 338,893	8/1993	Simpson	D15/13
D. 338,894	8/1993	Simpson	D15/13
D. 338,895	8/1993	Sale	D15/13
1,116,011	11/1914	Carpenter	275/8
1,618,443	2/1927	Knight	222/177
1,876,409	9/1932	Gordon	56/25.4
2,639,571	5/1953	Kelly	56/249
2,698,114	12/1954	Buhr	222/176
2,742,751	4/1956	Laughlin	56/229
2,792,970	5/1957	Gaiman	222/164
2,847,224	8/1958	Stout	275/8
2,878,633	3/1959	Mullin	56/25.4
2,940,640	6/1960	Erickson	222/177
2,966,023	12/1960	Carpenter	56/25.4
2,973,884	3/1961	Peoples et al.	222/177
2,991,914	7/1961	Janssen, Jr.	222/171
3,002,656	10/1961	Garber	56/25.4
3,015,416	1/1962	Peoples et al.	222/43

3,021,642	2/1962	Ewing	47/1.5
3,021,983	2/1962	Blocksom	222/191
3,023,562	3/1962	Slack	56/25.4
3,100,371	8/1963	Redmon	56/25.4
3,102,375	9/1963	Troka et al.	56/255
3,198,383	8/1965	Brown	222/1
3,332,221	7/1967	McCain	56/295
3,334,475	8/1967	Danisch	56/25.4
3,359,710	12/1967	Anderson	56/16.8
3,375,644	4/1968	Harper	56/25.4
3,405,514	10/1968	Pulrang	56/25.4
3,477,212	11/1969	Coffman	56/25.4
3,534,533	10/1970	Luoma	56/25.4
3,685,469	8/1972	Rogers	111/87
3,773,229	11/1973	Gandrud	222/177
3,777,991	12/1973	Picardat	239/656
3,857,515	12/1974	Zennie	239/169
3,942,308	3/1976	Vicendese et al.	56/16.8
3,945,176	3/1976	Vicendese et al.	56/11.8
4,327,541	5/1982	Emory	56/16.8
5,203,510	4/1993	Courtney et al.	239/687
5,288,017	2/1994	Halovitz	239/687

Primary Examiner—Sandra L. Morris
Attorney, Agent, or Firm—Donald S. Trevarthen

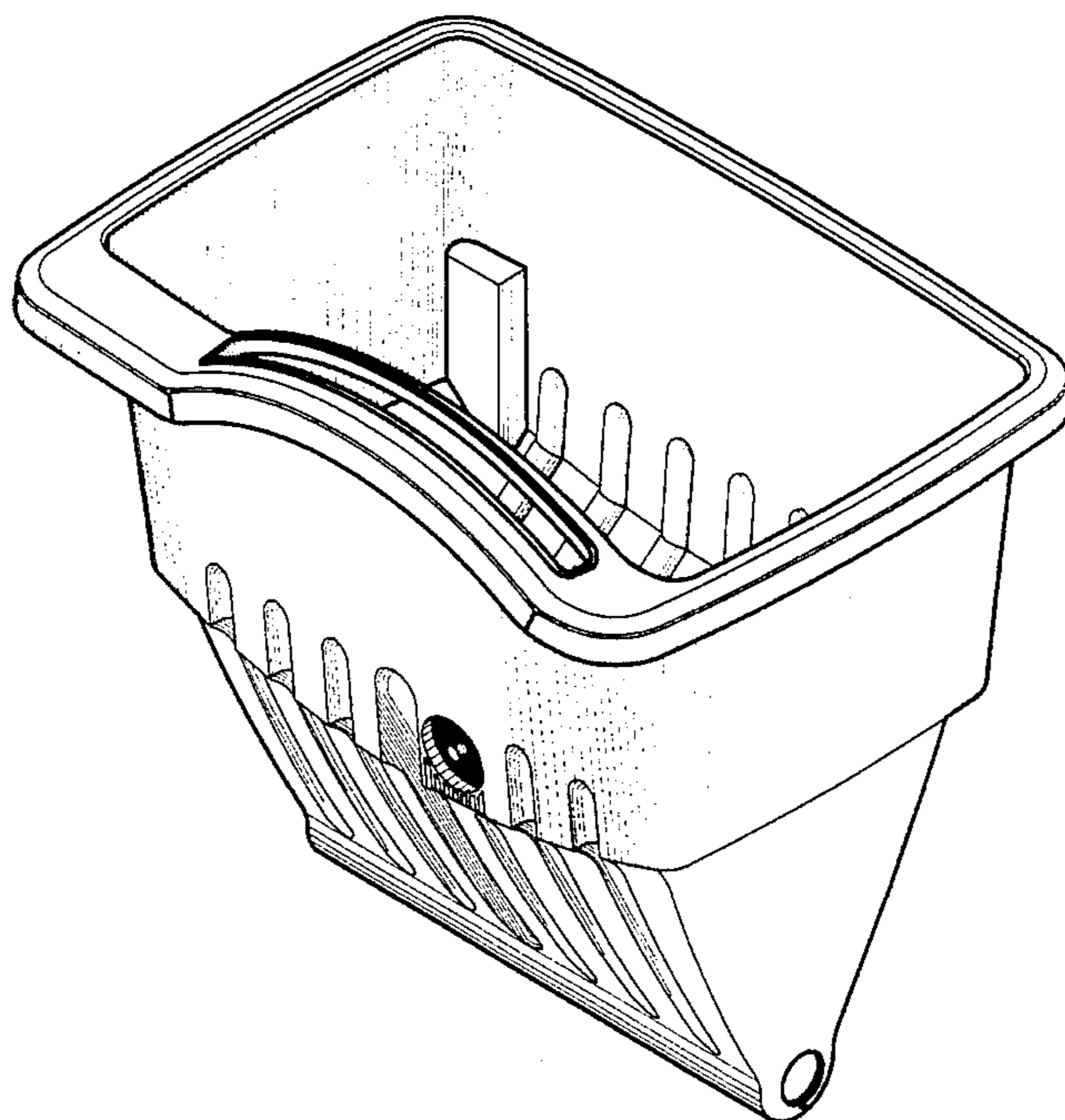
[57] **CLAIM**

The ornamental design for a fertilizer spreader hopper, as shown.

DESCRIPTION

FIG. 1 is a bottom, front perspective view of a fertilizer spreader hopper, showing our new design; FIG. 2 is a top, rear perspective view thereof; FIG. 3 is a top plan view thereof; FIG. 4 is a left side elevational view thereof; FIG. 5 is a bottom plan view thereof; FIG. 6 is a right side view thereof; and, FIG. 7 is a rear elevational view thereof.

1 Claim, 7 Drawing Sheets



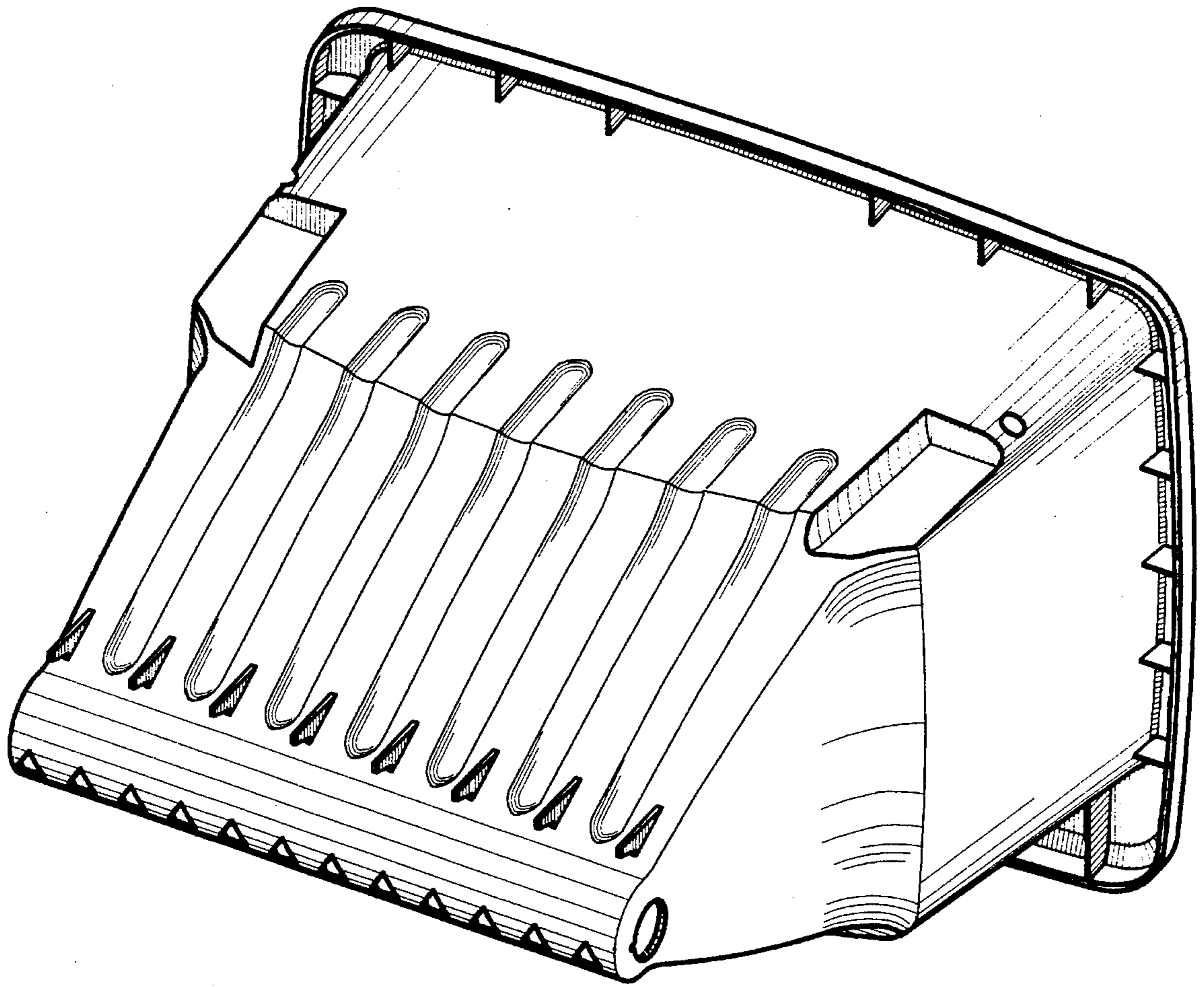


FIGURE 1

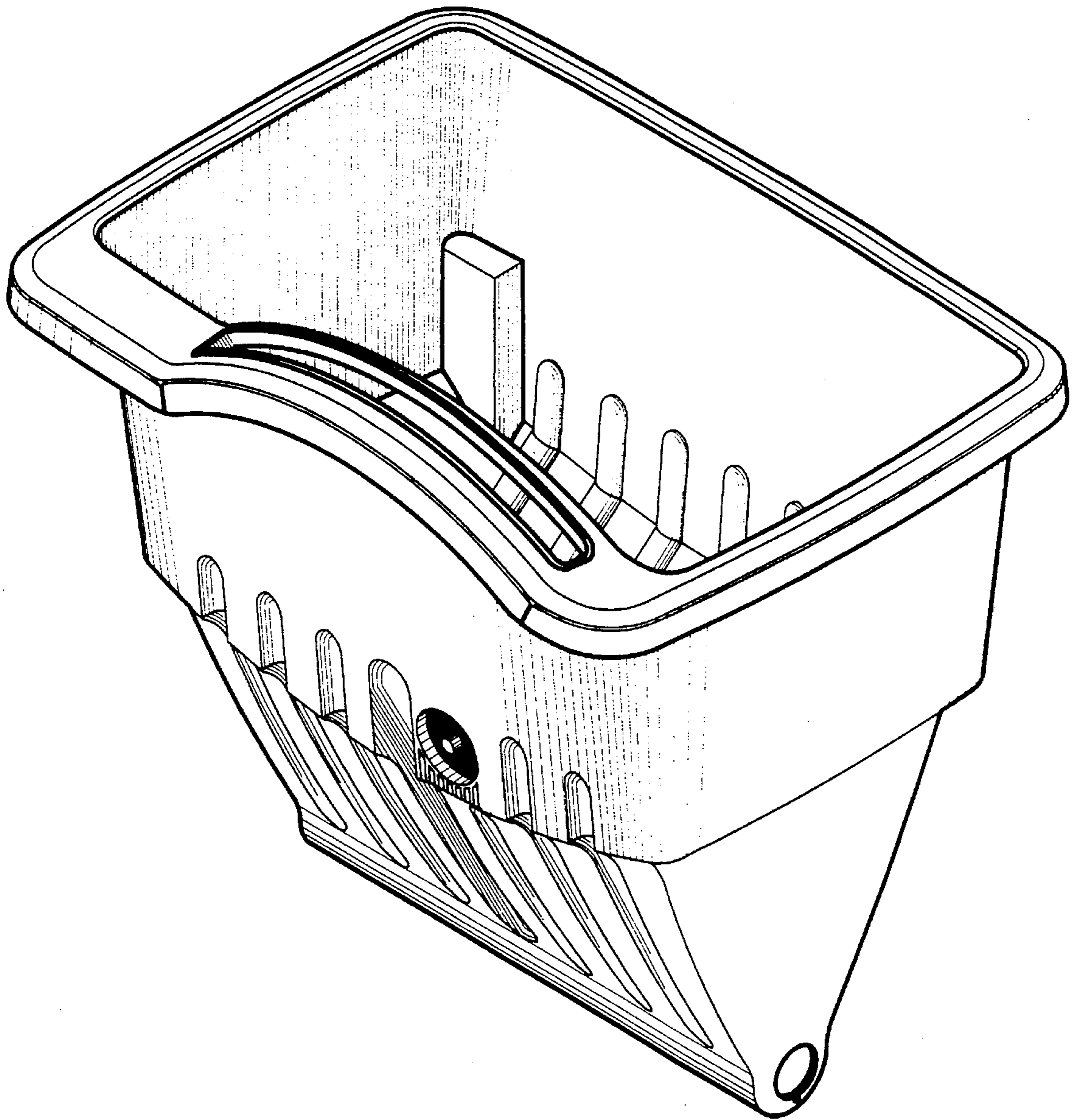


FIGURE 2

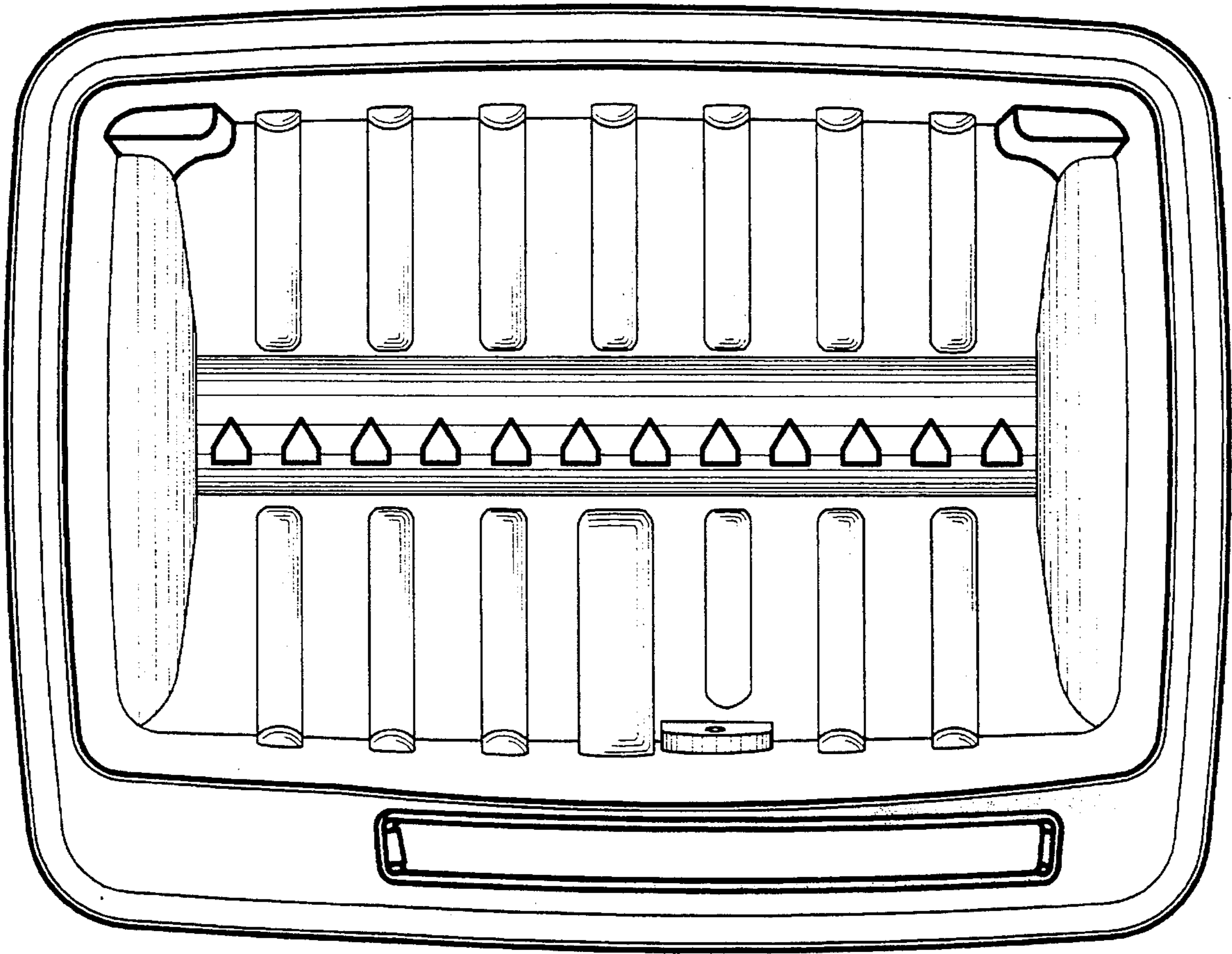


FIGURE 3

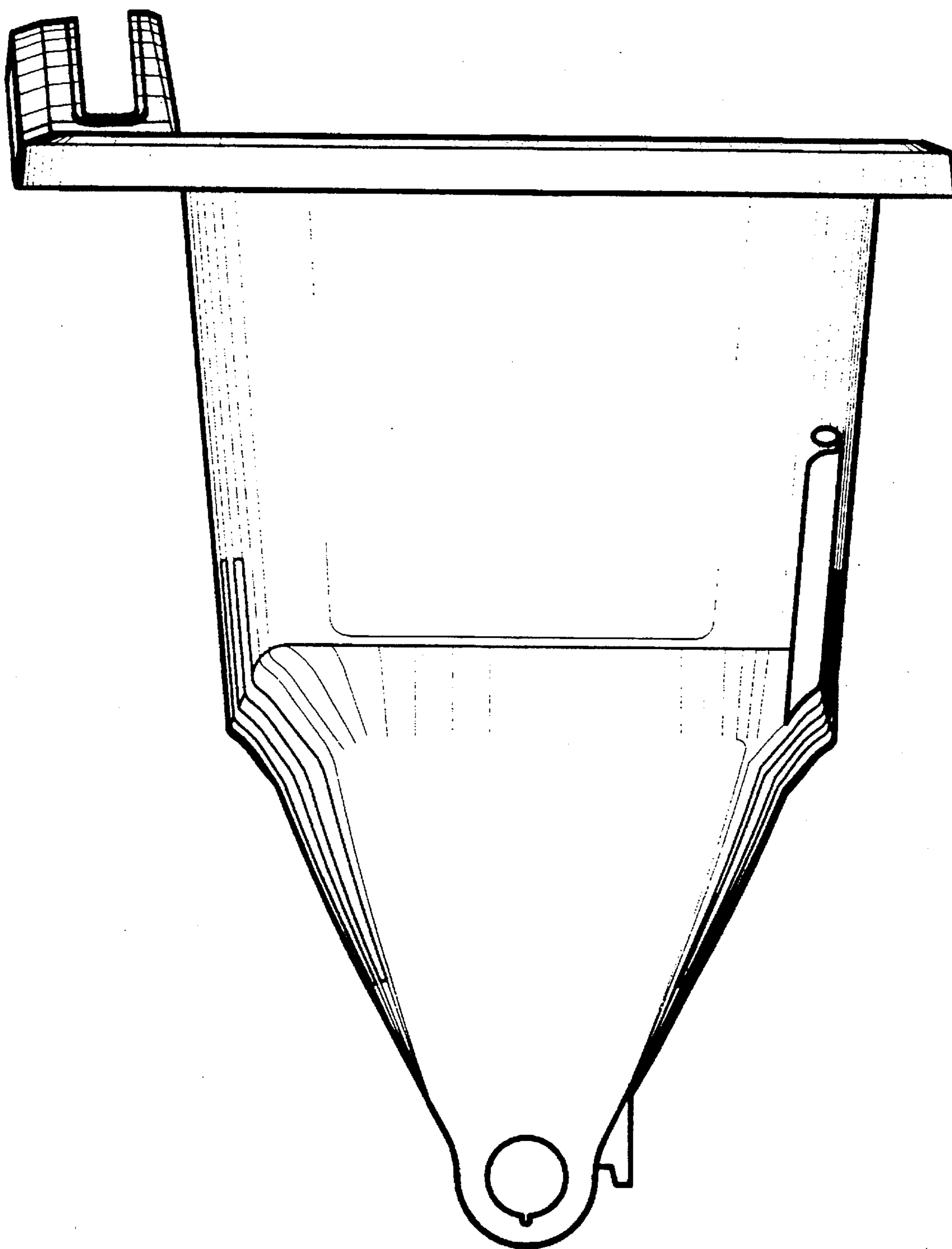


FIGURE 4

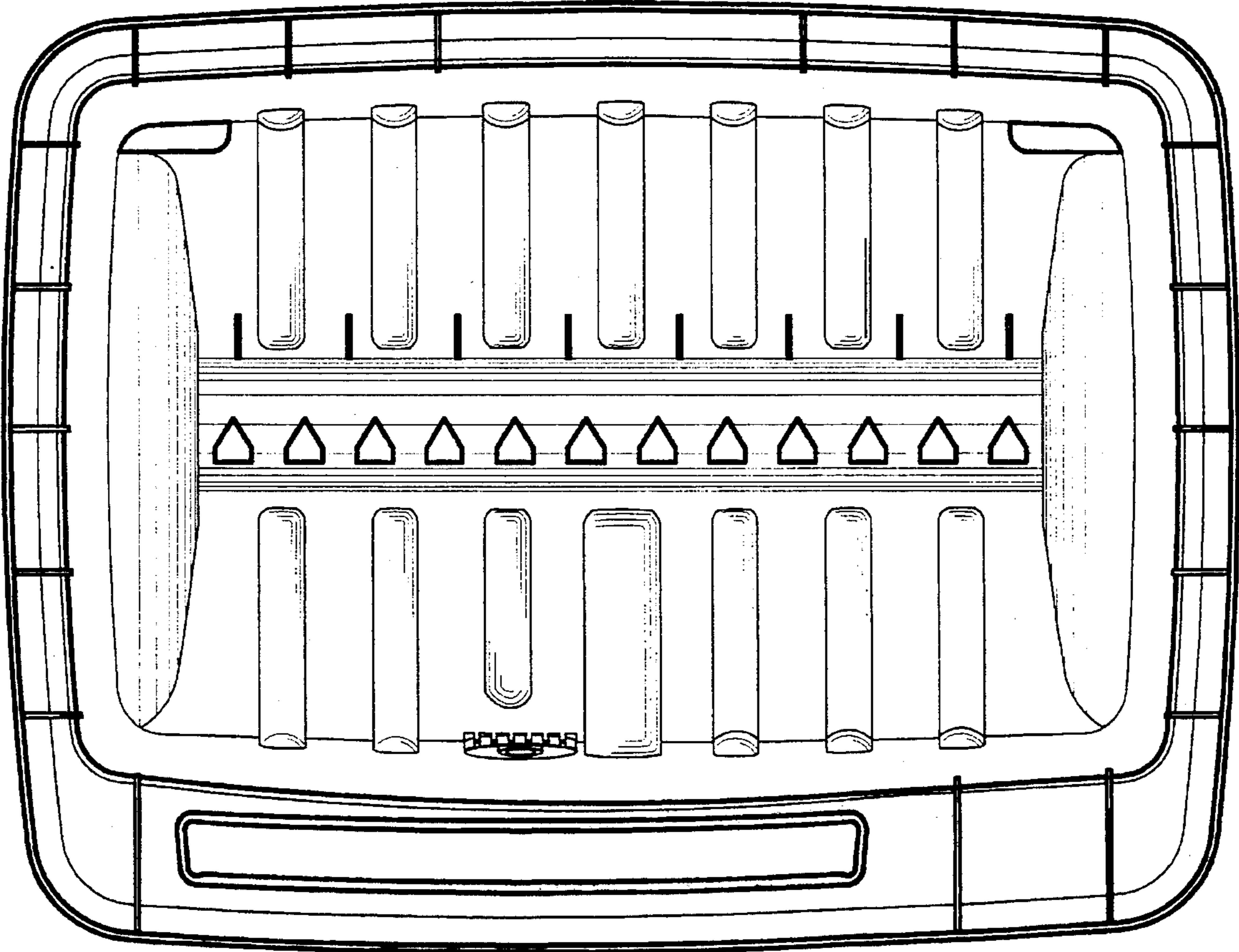


FIGURE 5

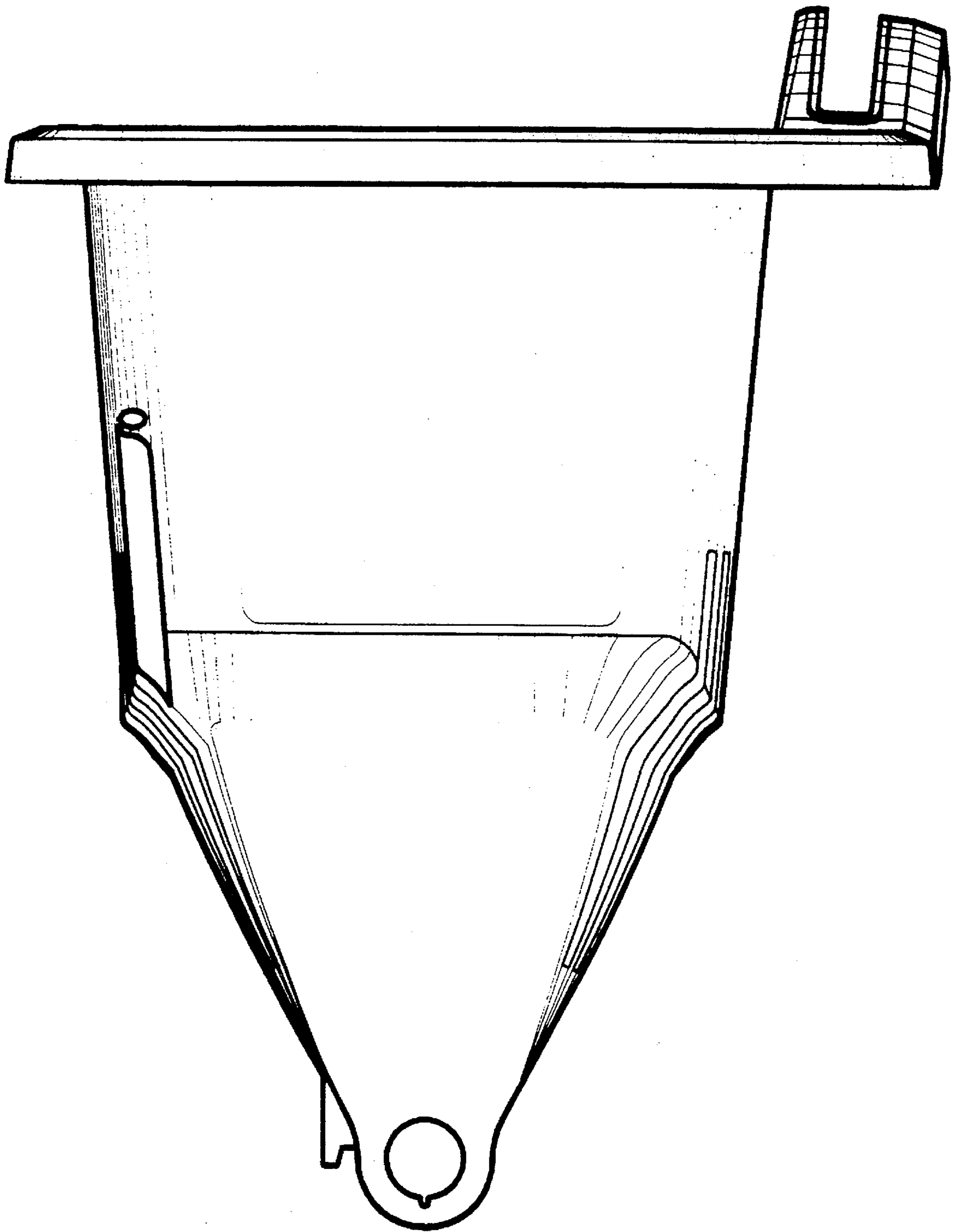


FIGURE 6

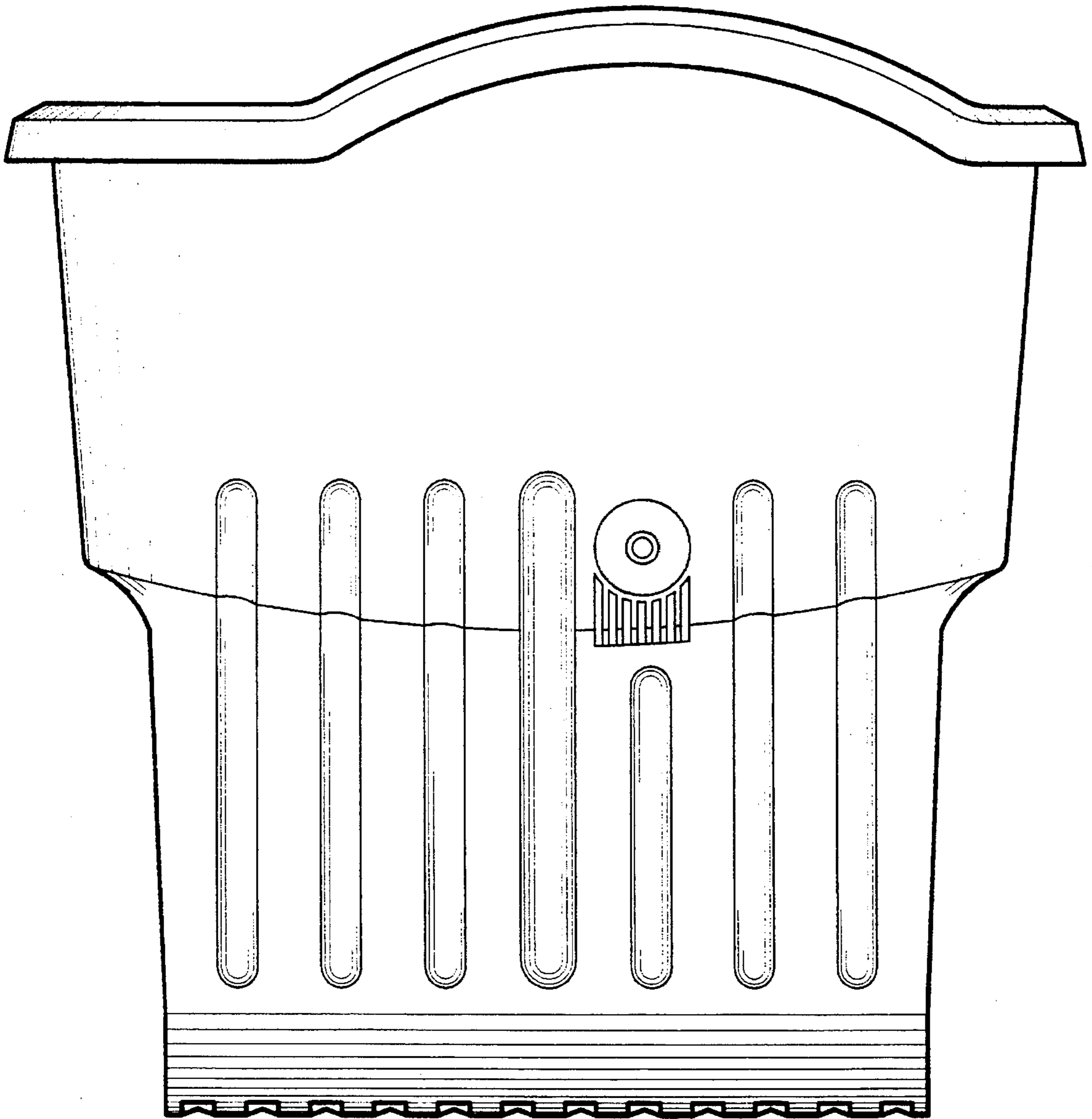


FIGURE 7