



US00D368913S

# United States Patent [19] Wightley

[11] **Patent Number:** **Des. 368,913**  
[45] **Date of Patent:** **\*\*Apr. 16, 1996**

[54] **PUMP CASING AND PUMP CASING PARTS**  
[75] **Inventor:** **Allan C. Wightley**, Davidson, Australia  
[73] **Assignee:** **Warman International Ltd.**, Artamon, Australia  
[\*\*] **Term:** **14 Years**

D. 315,911 4/1991 Campbell ..... D15/7  
1,337,916 4/1920 Julinsen ..... D15/7

### OTHER PUBLICATIONS

Engineers Australia, Sep. 1994.  
*Primary Examiner*—Ralf Seifert  
*Attorney, Agent, or Firm*—Jacobson, Price, Holman & Stern

[21] **Appl. No.:** **32,274**  
[22] **Filed:** **Dec. 6, 1994**

### [57] CLAIM

The ornamental design for a pump casing and pump casing parts, as shown and described.

[30] **Foreign Application Priority Data**  
Jun. 6, 1994 [AU] Australia ..... 1755/94  
Jun. 7, 1994 [AU] Australia ..... 1760/94  
Jun. 7, 1994 [AU] Australia ..... 1786/94  
[52] **U.S. Cl.** ..... **D15/7**  
[58] **Field of Search** ..... D15/1-9.1; 417/234,  
417/572, 410.1, 334, 336

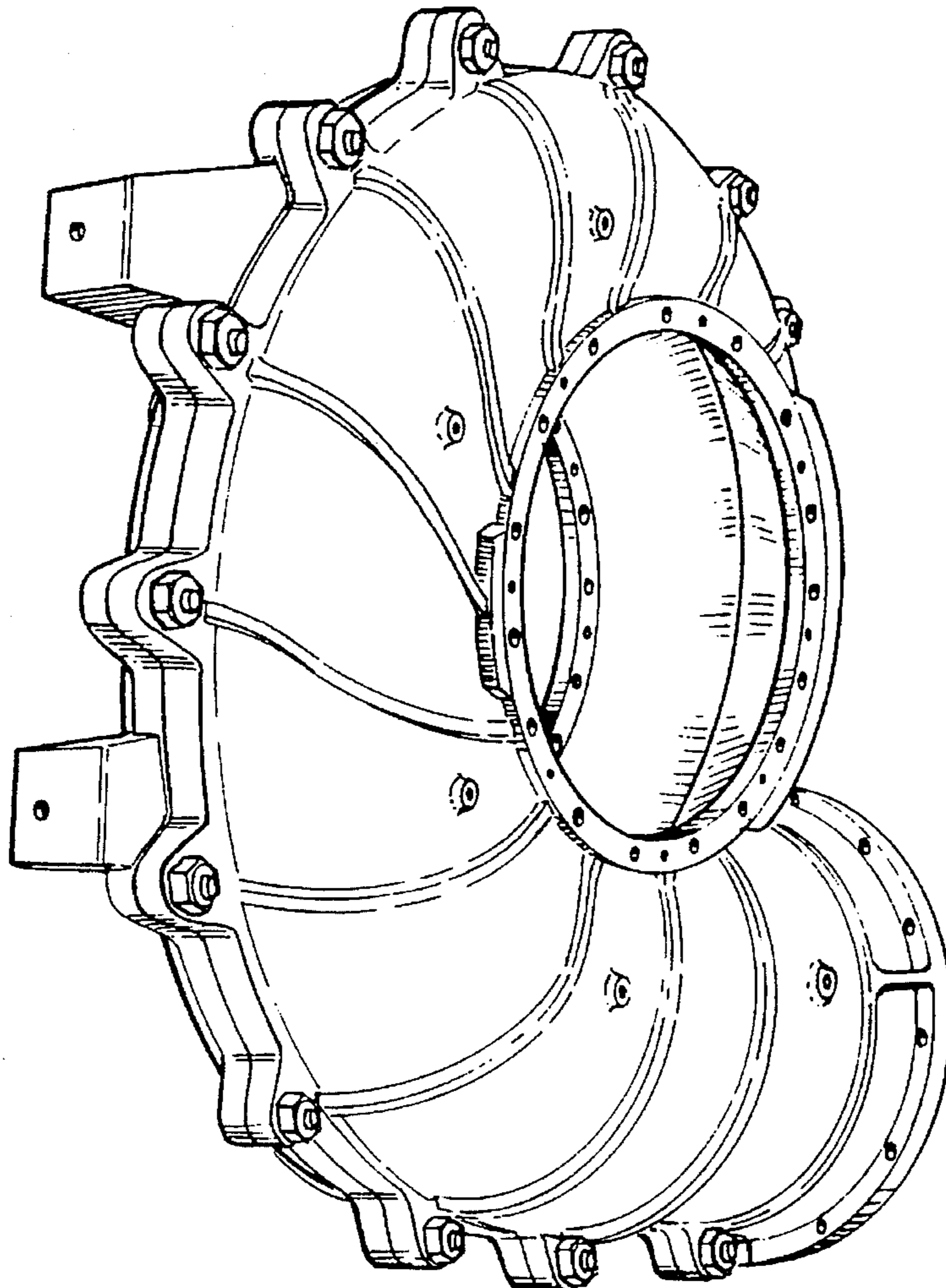
### DESCRIPTION

FIG. 1 is a perspective view showing my new design for a pump casing and pump casing parts; FIG. 2 is a top plan view thereof; FIG. 3 is a bottom plan view thereof; FIG. 4 is a left side view thereof; FIG. 5 is a right side view thereof; FIG. 6 is a front end view thereof; and, FIG. 7 is a rear end view thereof.

### [56] References Cited U.S. PATENT DOCUMENTS

D. 307,018 4/1990 Turbanisch ..... D15/8

**1 Claim, 3 Drawing Sheets**



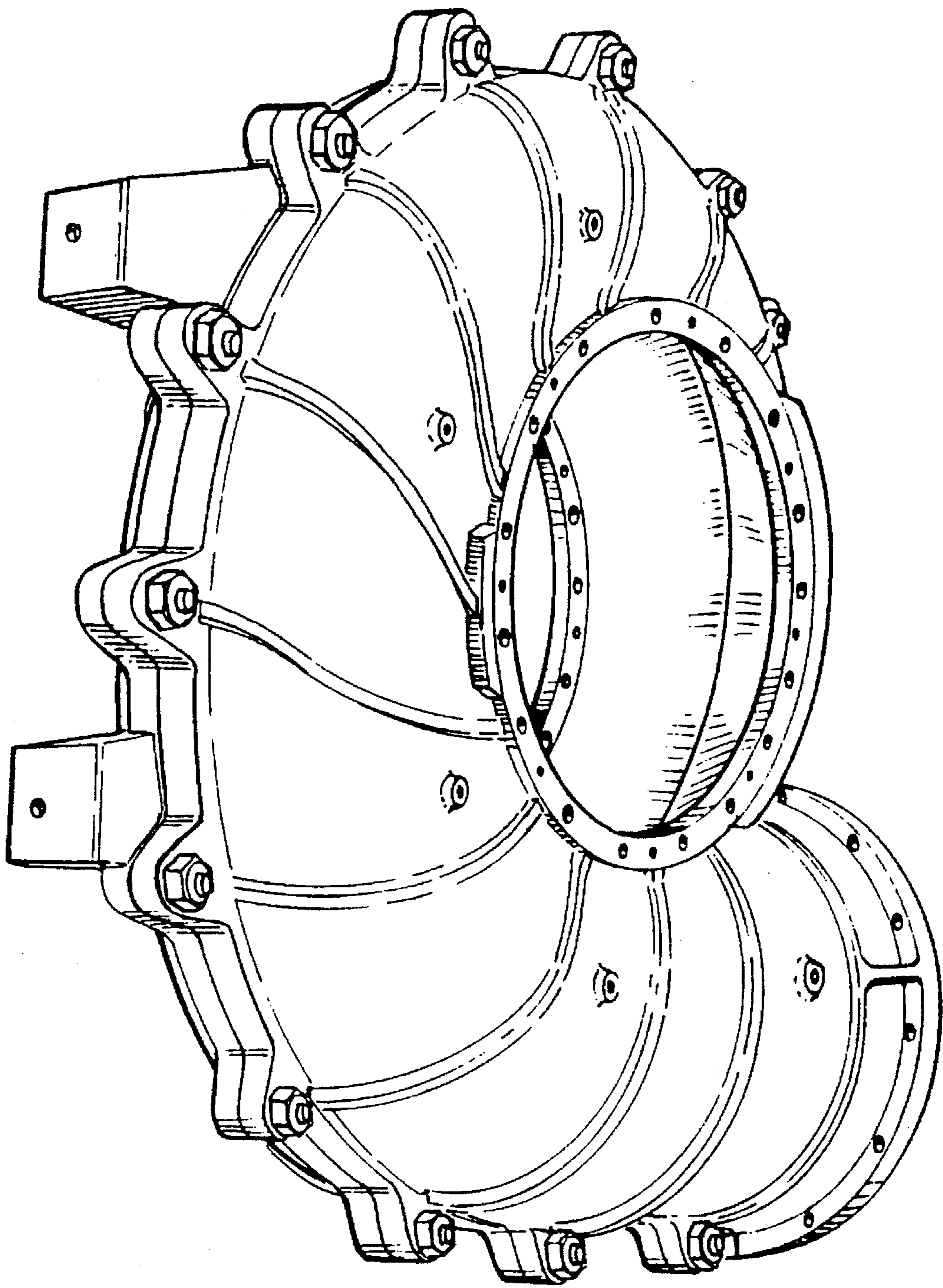


FIG. 1

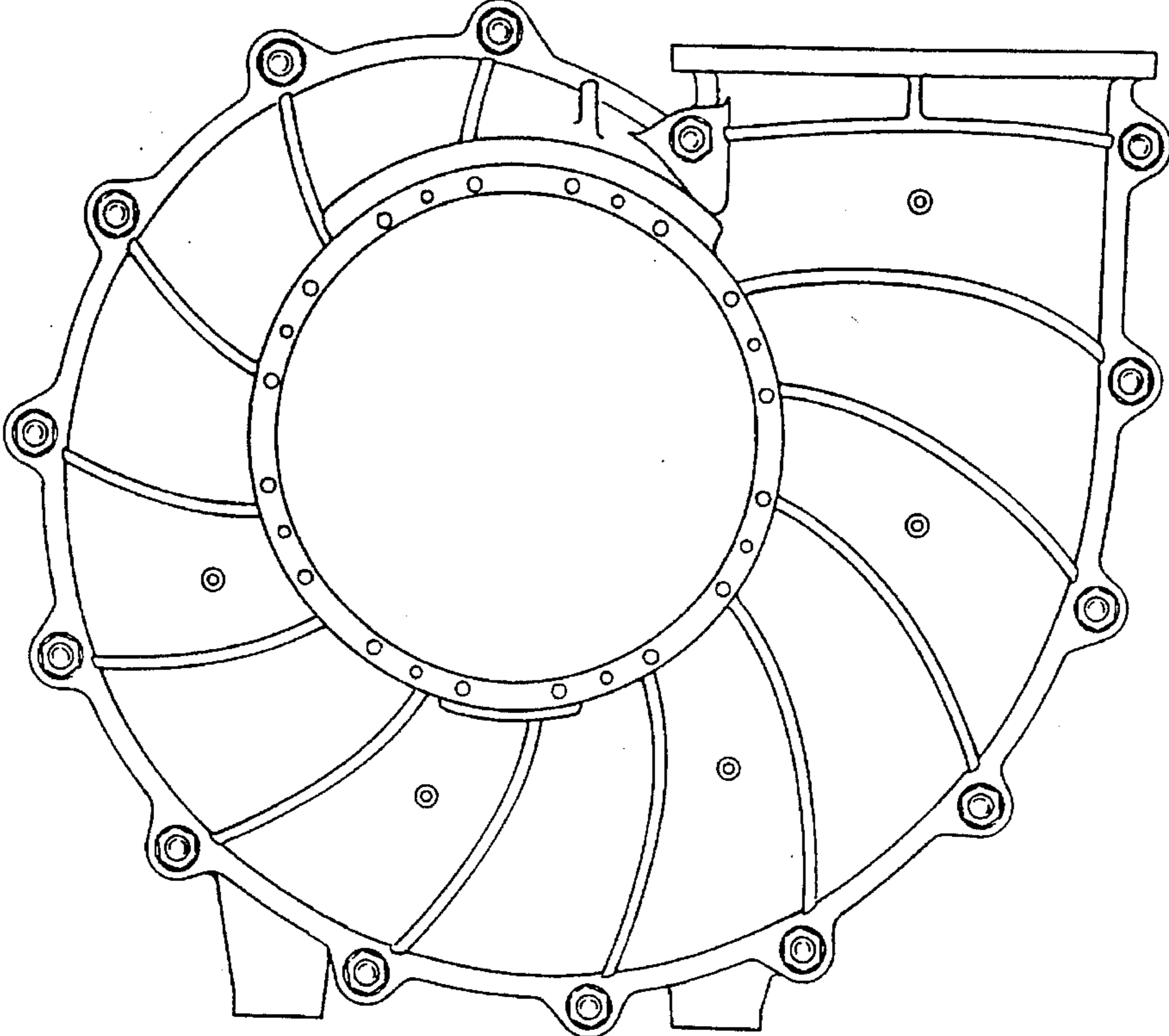


FIG. 4

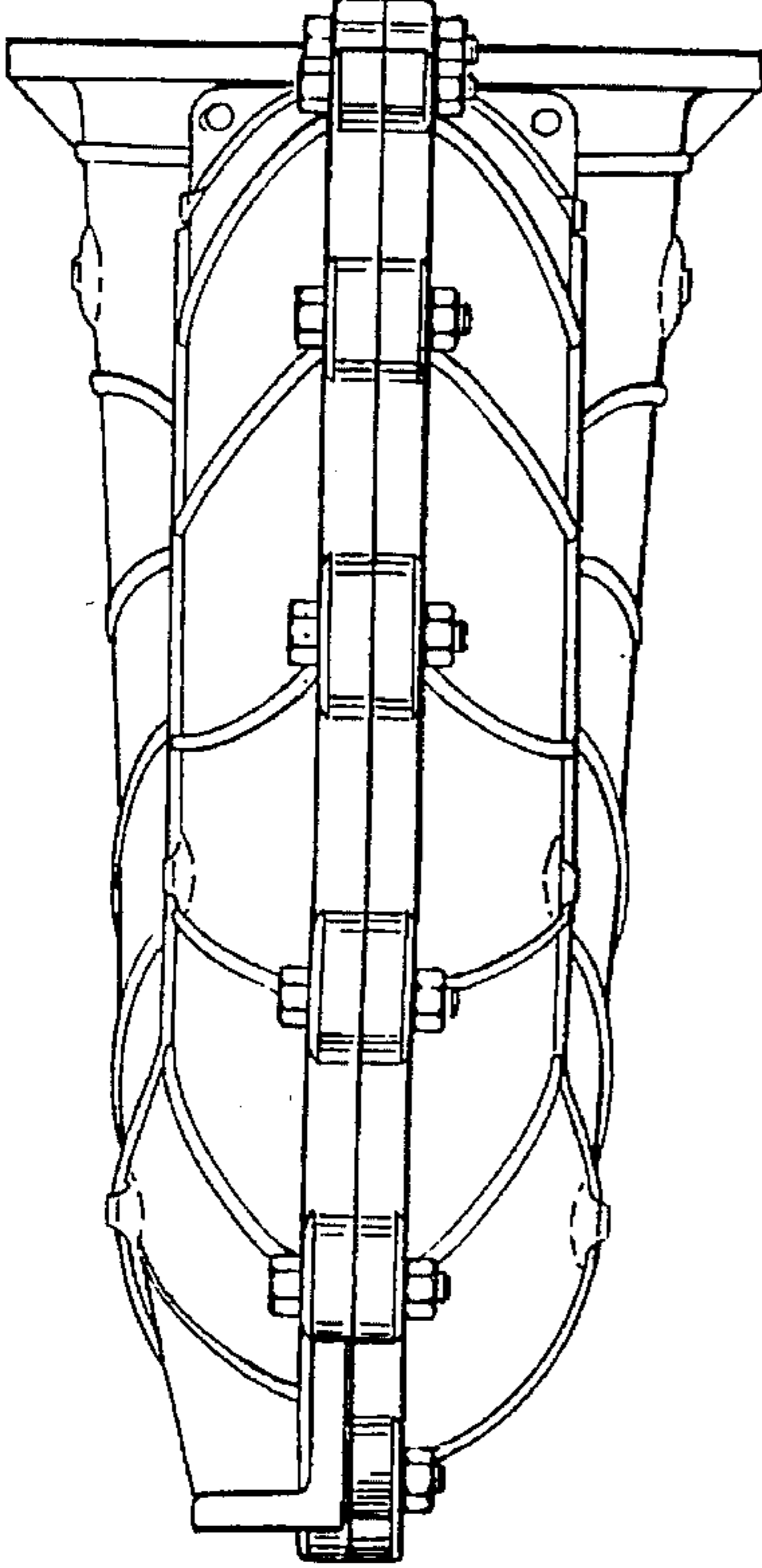


FIG. 2

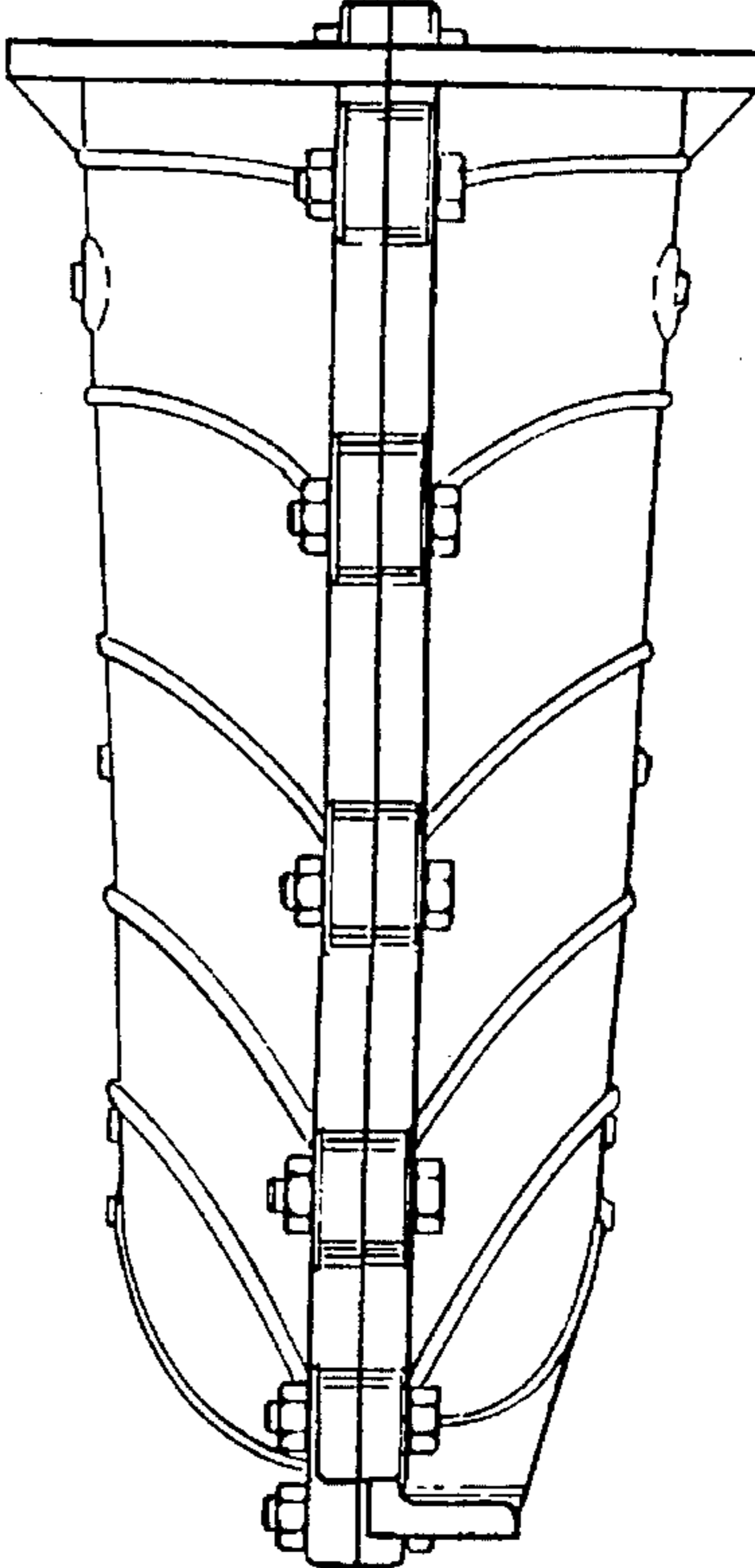


FIG. 3

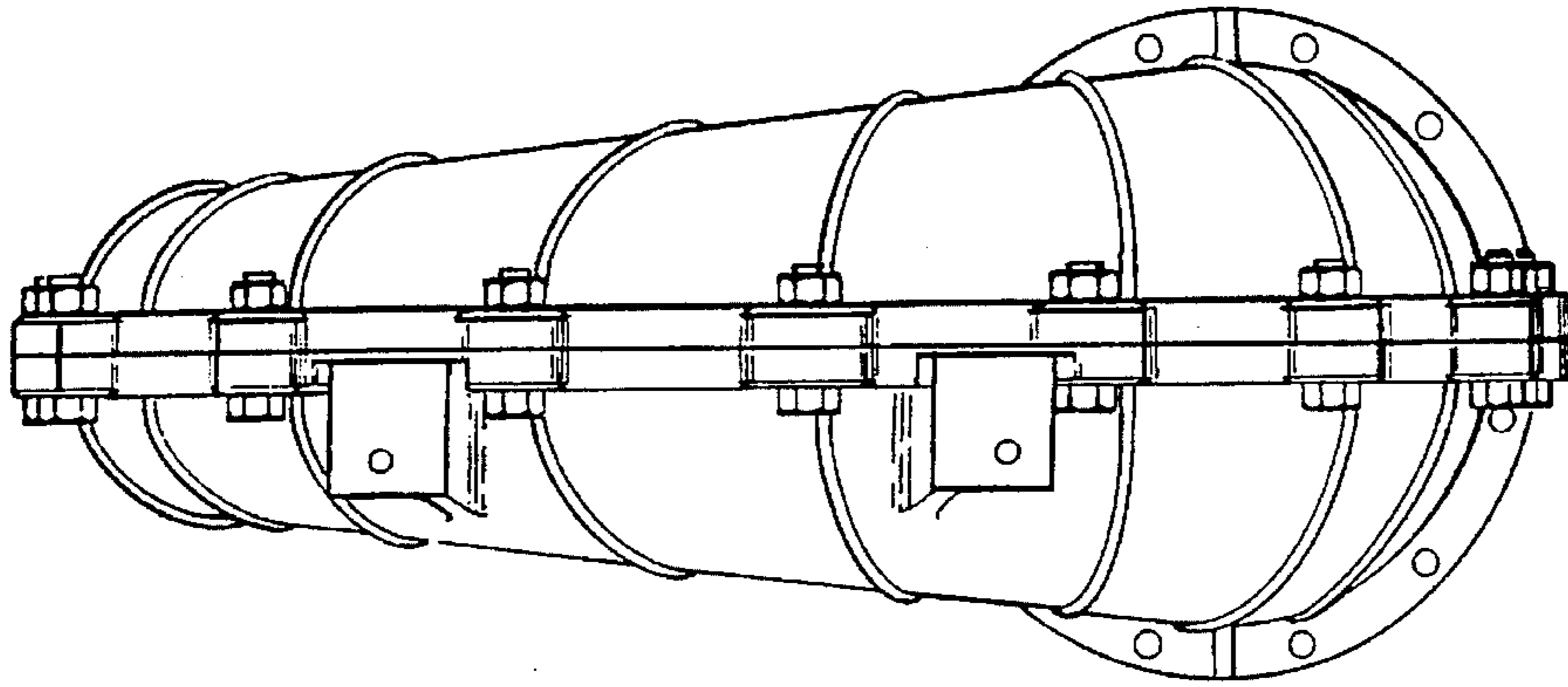


FIG. 7

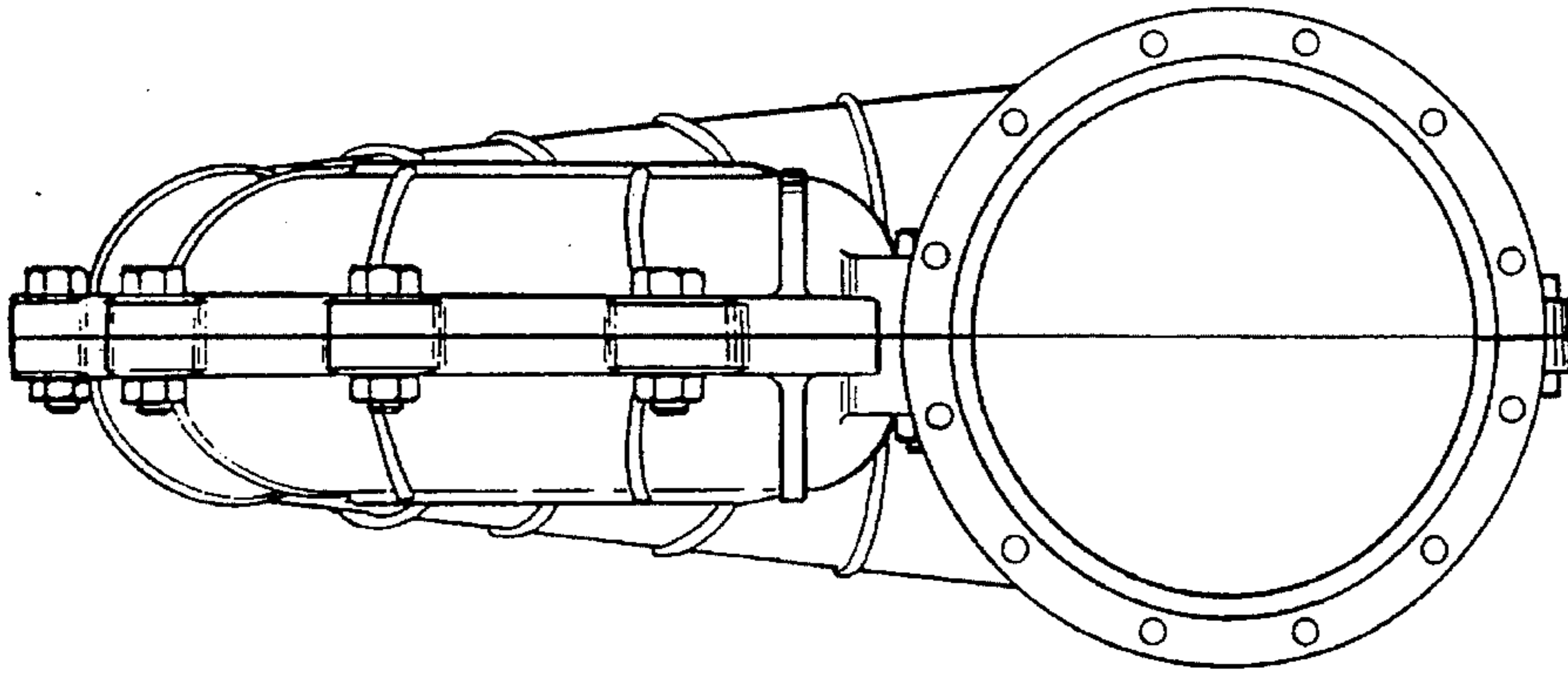


FIG. 6

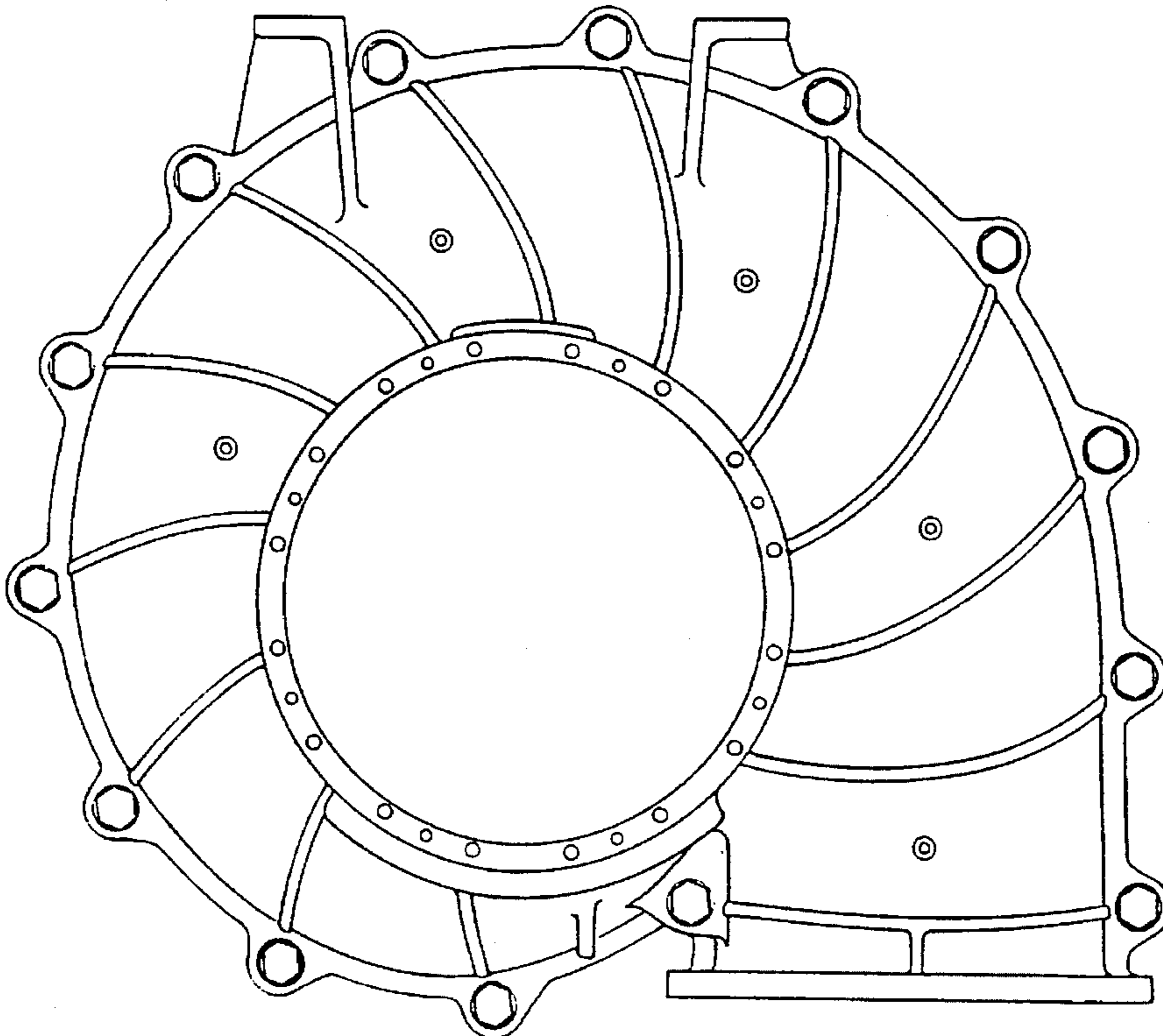


FIG. 5