



US00D368910S

# United States Patent [19]

[11] Patent Number: **Des. 368,910**

Lenart et al.

[45] Date of Patent: **\*\*Apr. 16, 1996**

## [54] SPEAKER

[75] Inventors: **Christopher N. Lenart**, San Francisco;  
**Daniel K. Harden**, Palto Alto, both of Calif.

[73] Assignee: **Acer America Corporation**, San Jose, Calif.

[\*\*] Term: **14 Years**

[21] Appl. No.: **34,592**

[22] Filed: **Feb. 13, 1995**

[52] U.S. Cl. .... **D14/216**

[58] Field of Search ..... D14/204, 207,  
D14/209-216, 220-221; 181/144-145,  
147-148, 153, 157, 159, 198, 199; 381/24,  
88, 90-91, 153, 159, 186, 188

## [56] References Cited

### U.S. PATENT DOCUMENTS

D. 254,251	2/1980	Ward	.....	D14/211
D. 317,008	5/1991	Emmerling	.....	D14/210 X
D. 319,243	8/1991	Yamakawa	.....	D14/215 X
D. 342,739	12/1993	Atkin et al.	.....	D14/299 X
D. 356,088	5/1995	Jewitt et al.	.....	D14/210

## OTHER PUBLICATIONS

Hong Kong Enterprise Jun. 1993, p. 551, Model 505, Cordless Stereo Speaker System.  
Stereo Review, Dec. 1993, p. 32, Koss HD/1 Speakers.

*Primary Examiner*—Prabhakar G. Deshmukh  
*Assistant Examiner*—Nanda Bondade  
*Attorney, Agent, or Firm*—Townsend and Townsend and Crew

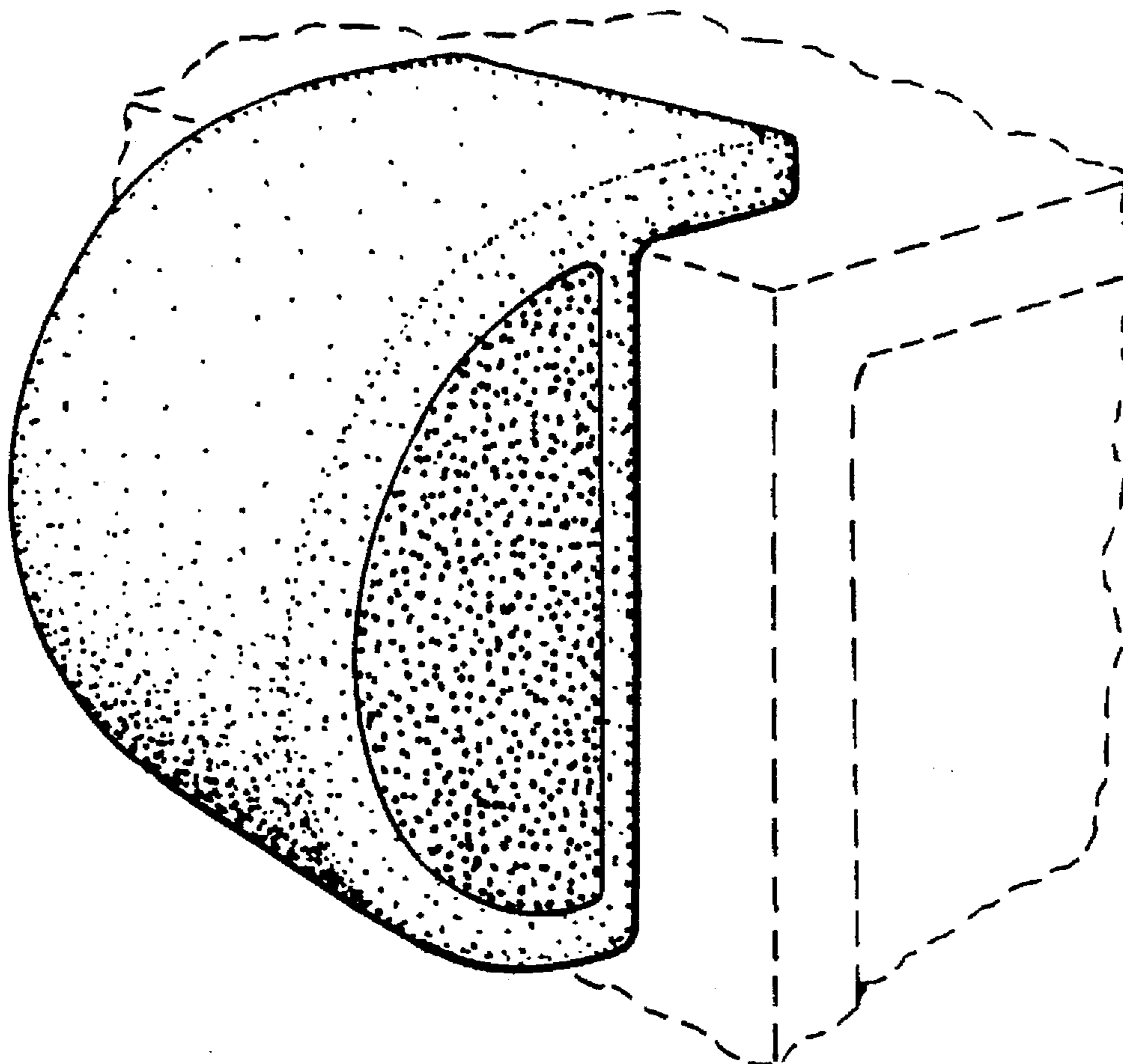
## [57] CLAIM

The ornamental design for a speaker, as shown and described.

## DESCRIPTION

FIG. 1 is a perspective view of a speaker showing our new design, the broken line showing of a monitor is for illustrative purposes only and forms no part of the claimed design; FIG. 2 is a top plan view thereof; FIG. 3 is a front elevational view thereof; FIG. 4 is a right side elevational view thereof; FIG. 5 is a left side elevational view thereof; FIG. 6 is a rear elevational view thereof; and, FIG. 7 is a bottom plan view thereof.

**1 Claim, 1 Drawing Sheet**



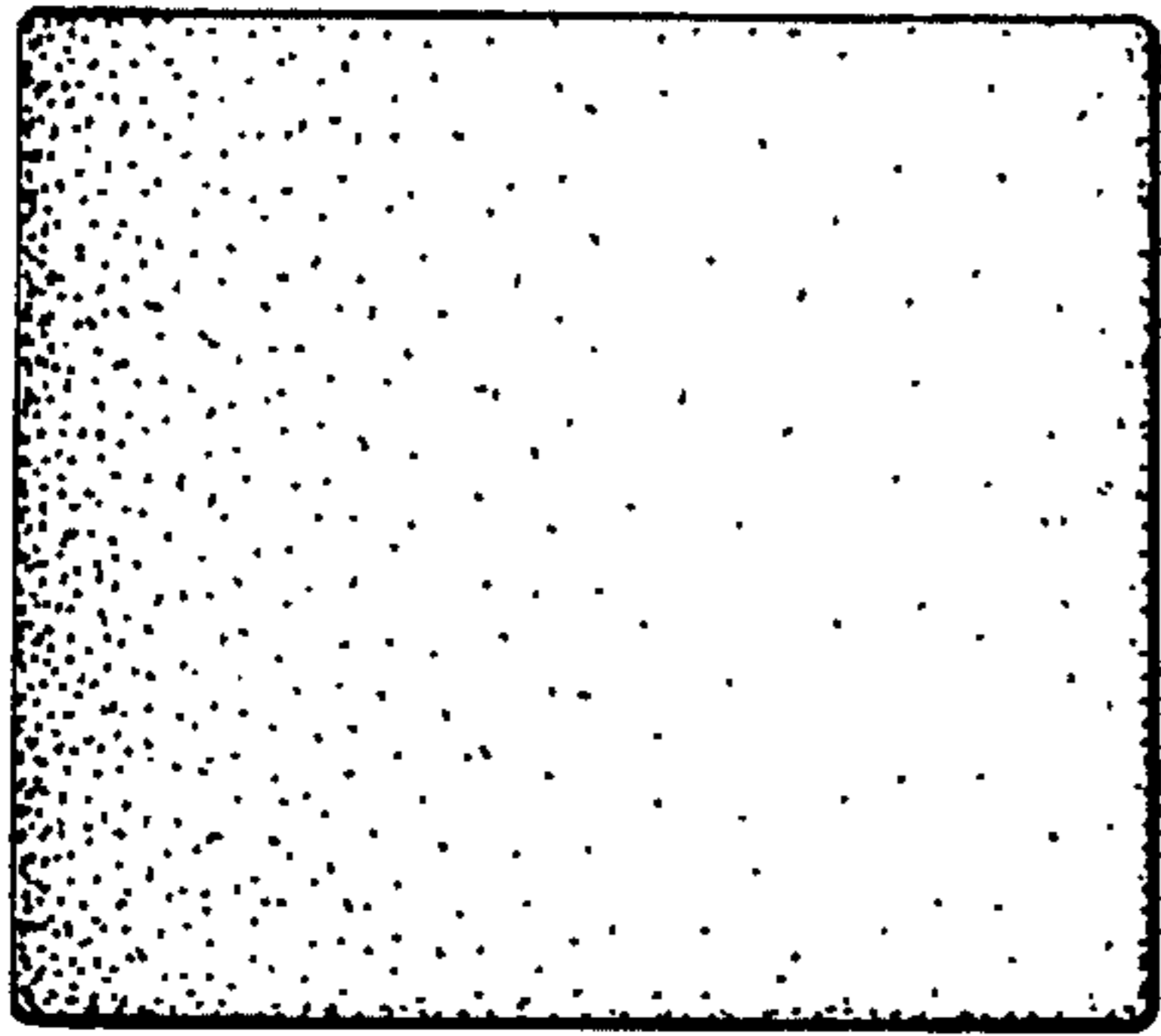


FIG. 2.

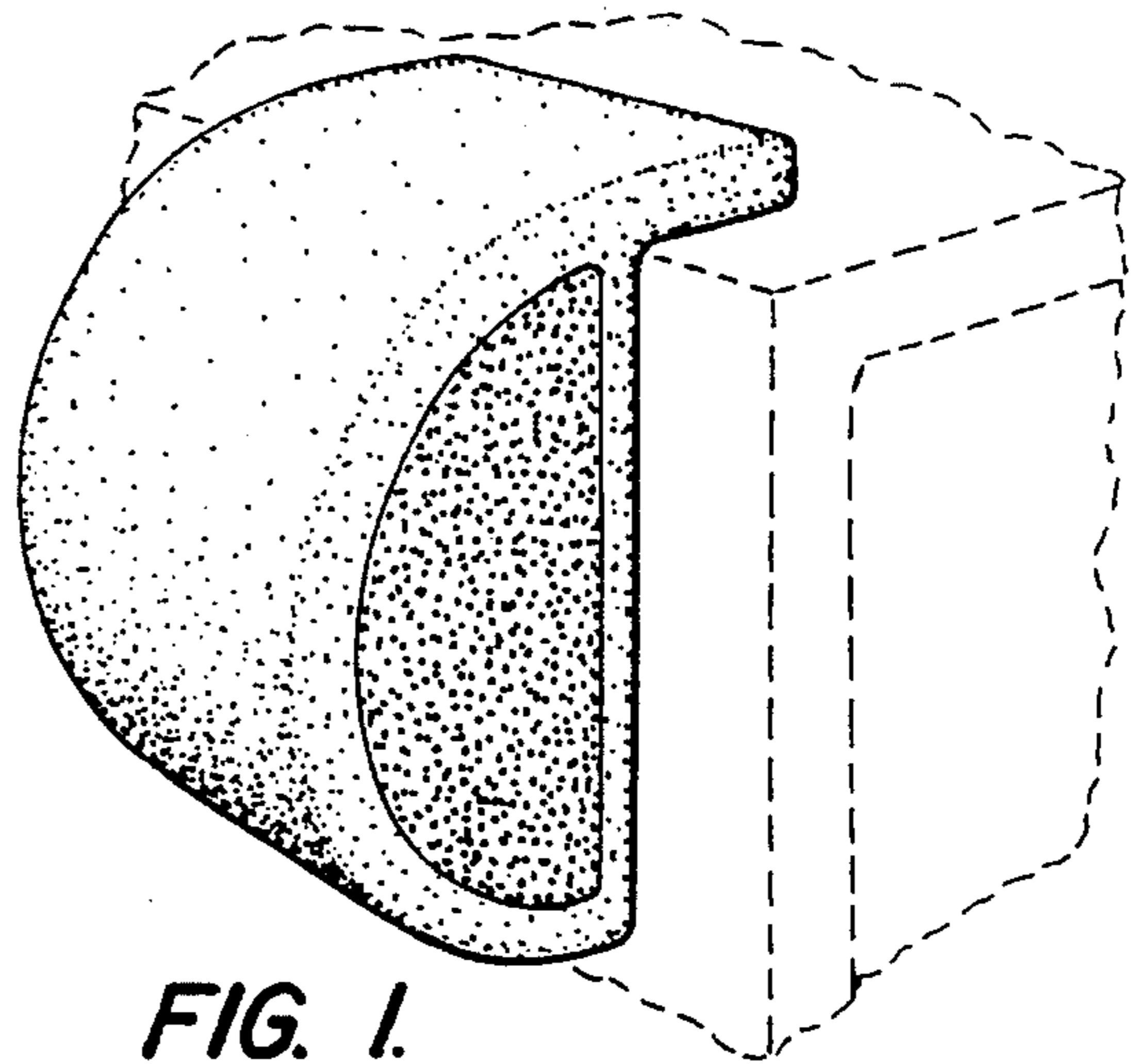


FIG. 1.

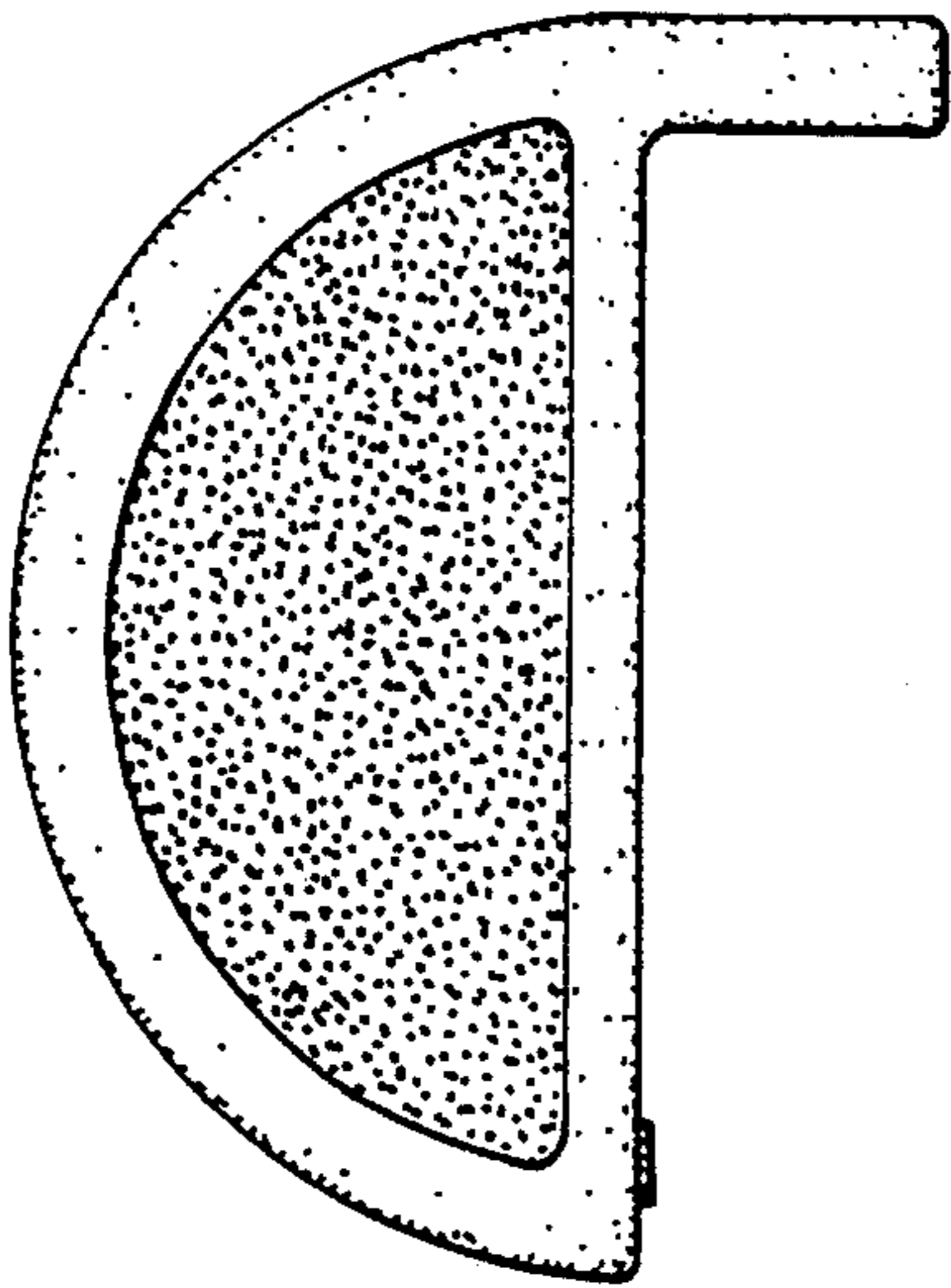


FIG. 3.

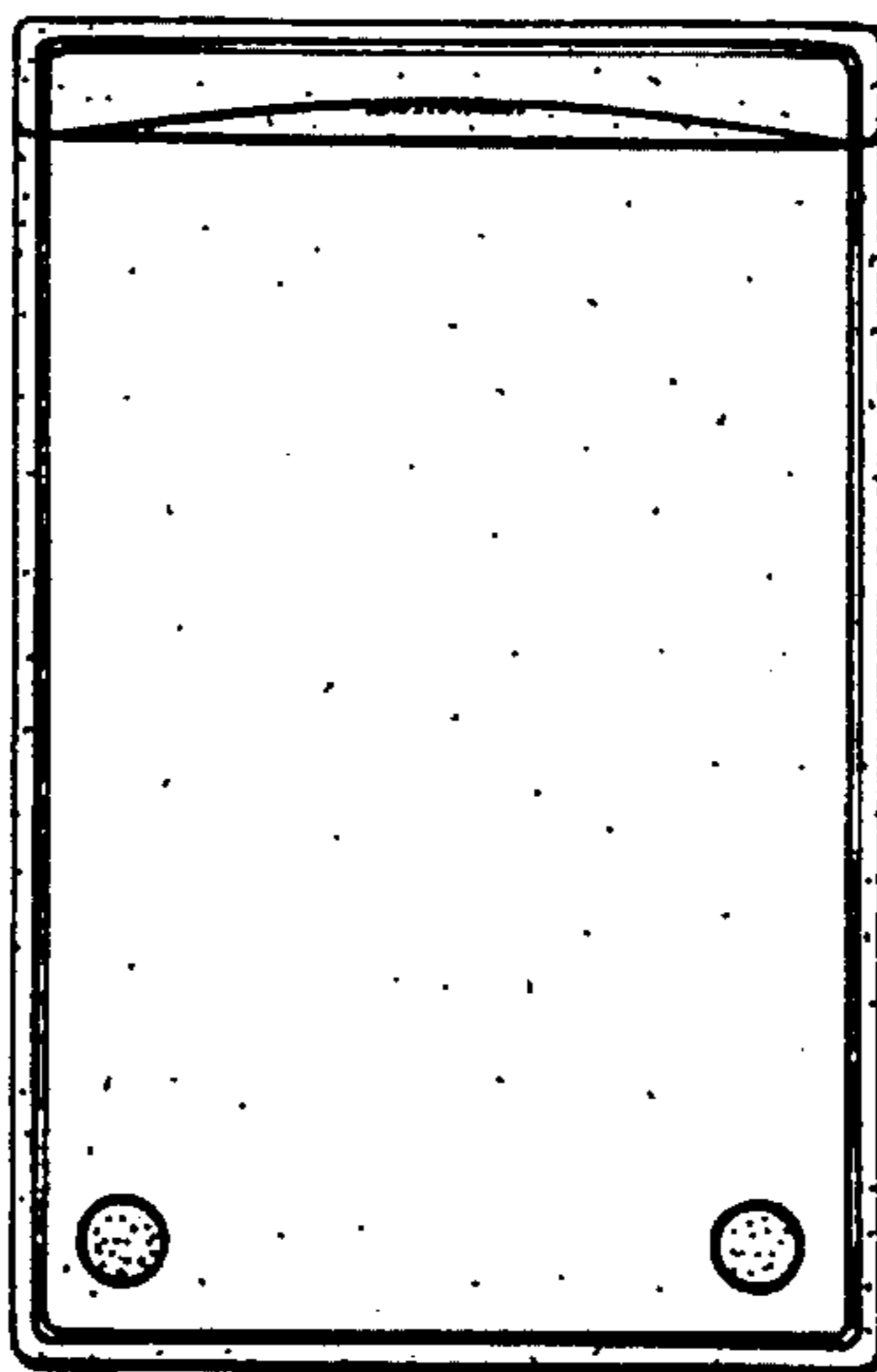


FIG. 4.

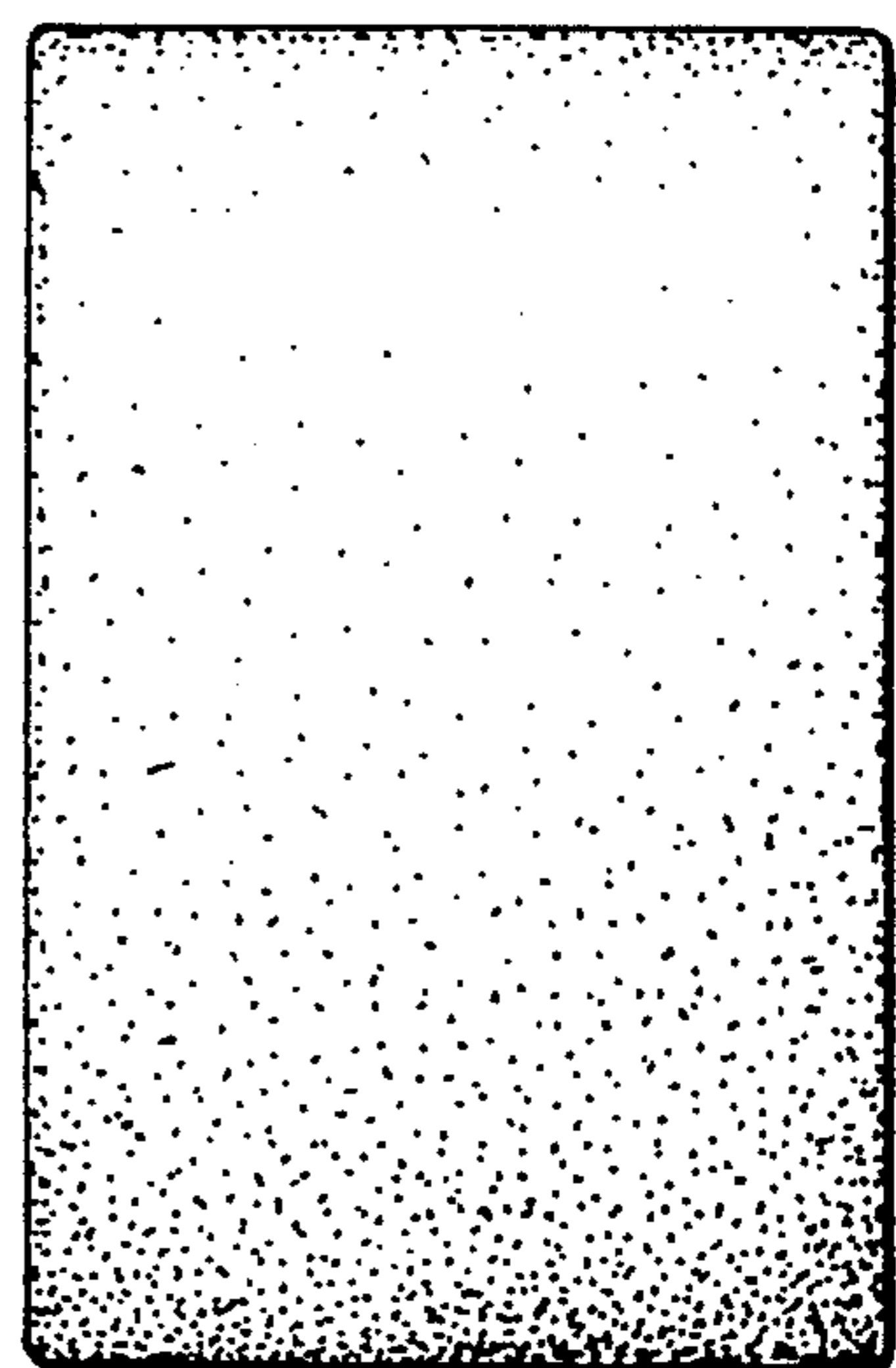


FIG. 5.

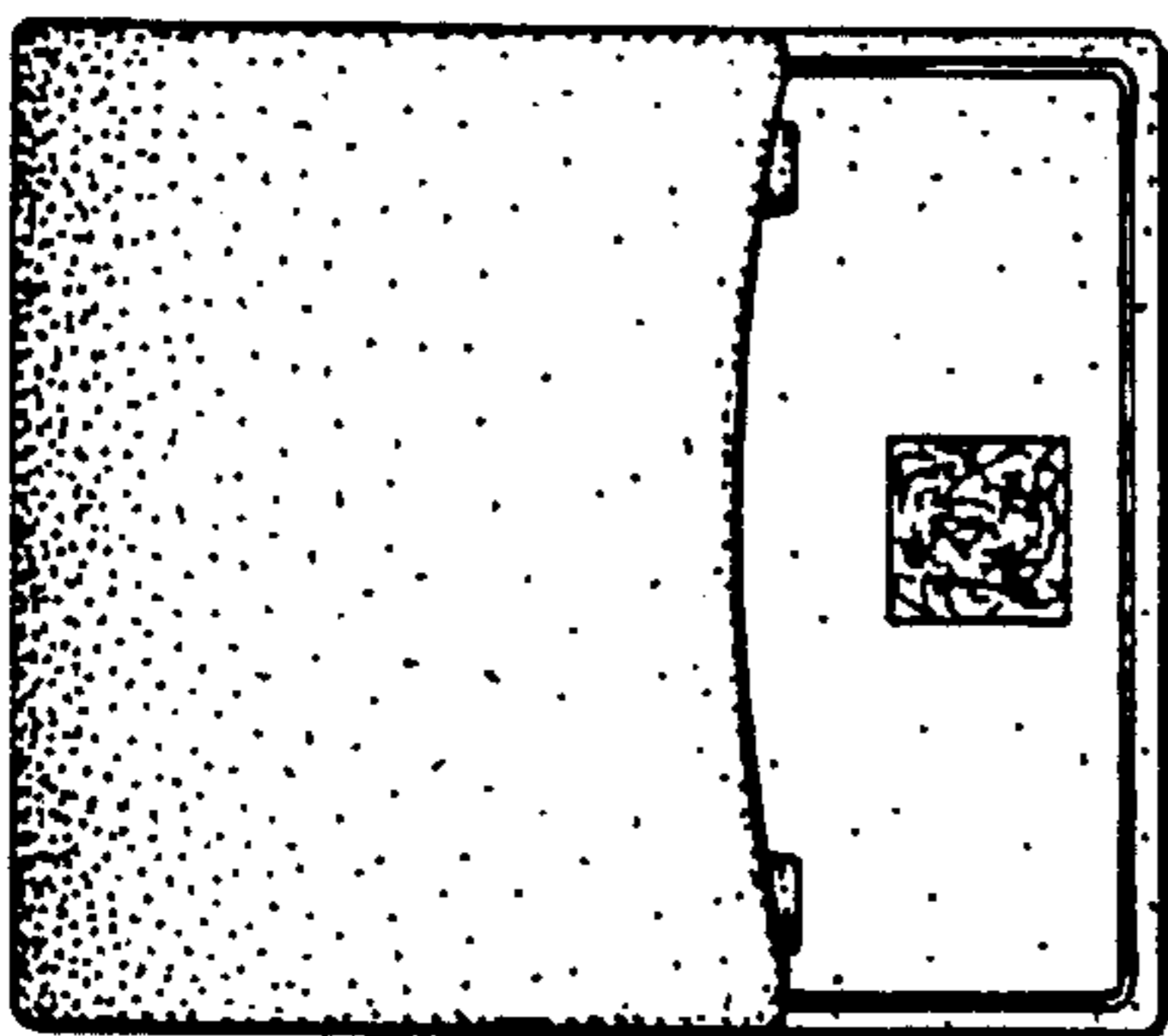


FIG. 7.

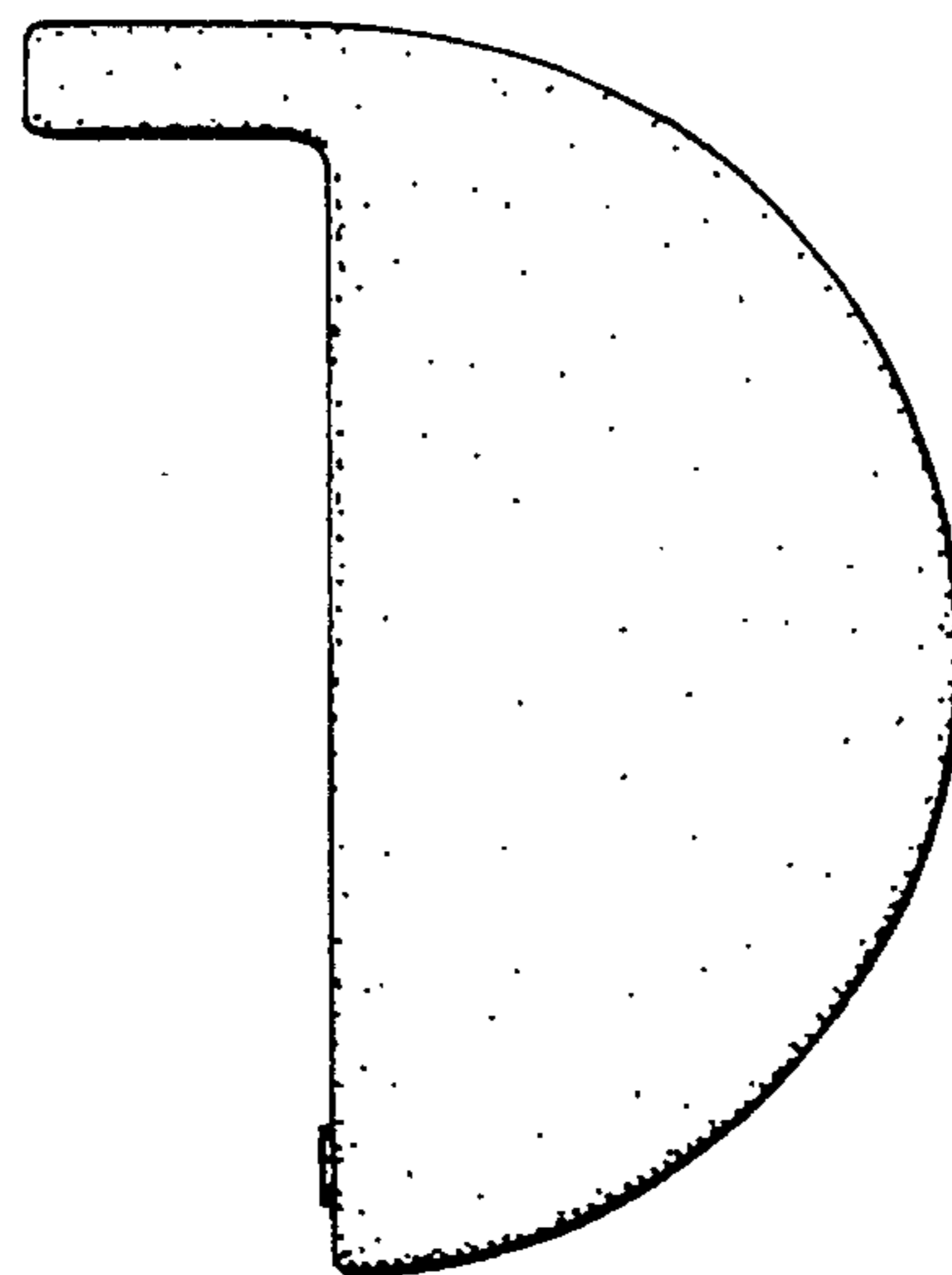


FIG. 6.