



US00D368902S

# United States Patent [19]

Sheu et al.

[11] Patent Number: **Des. 368,902**

[45] Date of Patent: **\*\*Apr. 16, 1996**

[54] **KEYBOARD**

[75] Inventors: **Uen-Hour Sheu; Yen-Chun Wu; Hung-Chieh Liu**, all of Taichung, Taiwan

[73] Assignee: **Ortek Technology, Inc.**, Taiwan

[\*\*] Term: **14 Years**

[21] Appl. No.: **40,524**

[22] Filed: **Jun. 20, 1995**

[52] U.S. Cl. .... **D14/115**

[58] Field of Search ..... **D14/100, 101, D14/106, 115; D18/1, 2, 7; 235/145 A, 145 R; 200/5 A, 5 R, 6 A, 6 R; 345/160, 168; 341/22, 23; 364/708.1; 400/472, 479, 484-486, 488, 489, 682**

[56] **References Cited**

**U.S. PATENT DOCUMENTS**

- D. 340,445 10/1993 Marquardt et al. .
- D. 346,376 4/1994 Marquardt et al. .
- D. 354,279 1/1995 Ciccone .
- D. 356,075 3/1995 Paloyan et al. .
- D. 357,011 4/1995 Paull et al. .... D14/115
- D. 362,432 9/1995 Paull et al. .... D14/115
- 4,483,634 11/1984 Frey .

- 5,119,078 6/1992 Grant .
- 5,156,475 10/1992 Zilberman .
- 5,360,280 11/1994 Camacho et al. .... D14/115 X
- 5,372,441 12/1994 Louis .
- 5,397,189 3/1995 Minogue .

*Primary Examiner*—Freda Nunn  
*Attorney, Agent, or Firm*—Raymond Sun

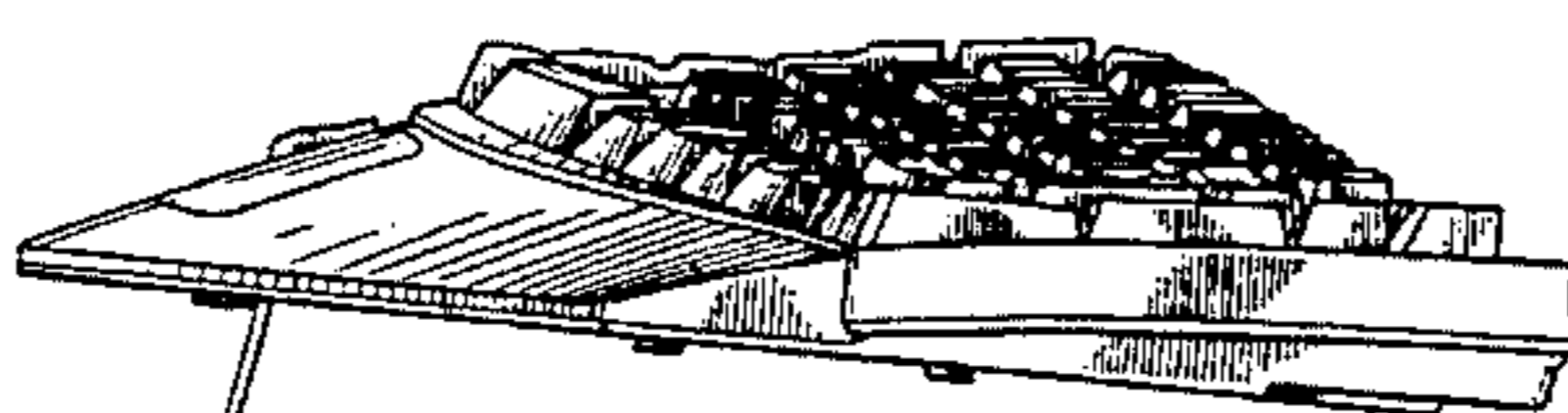
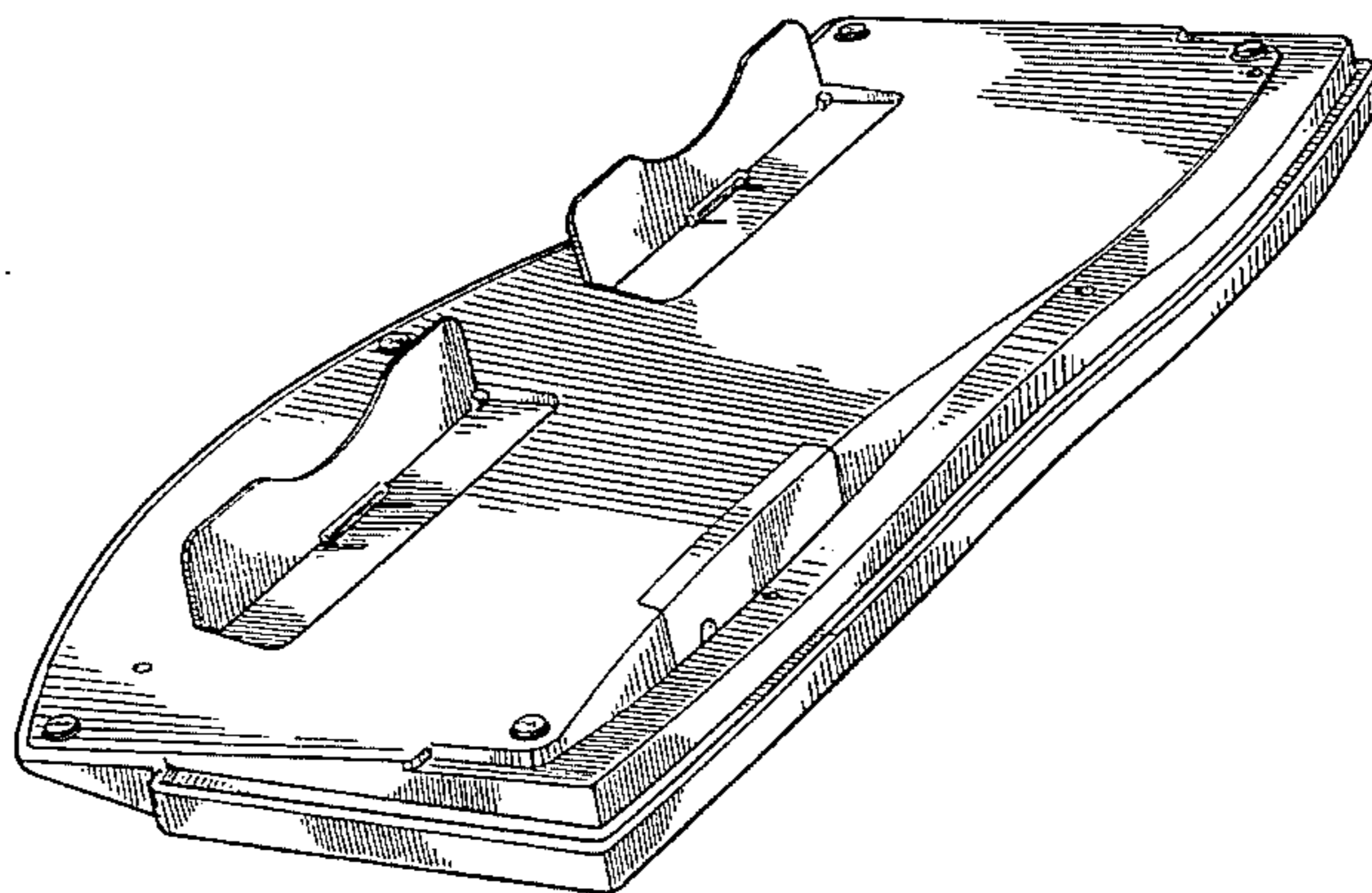
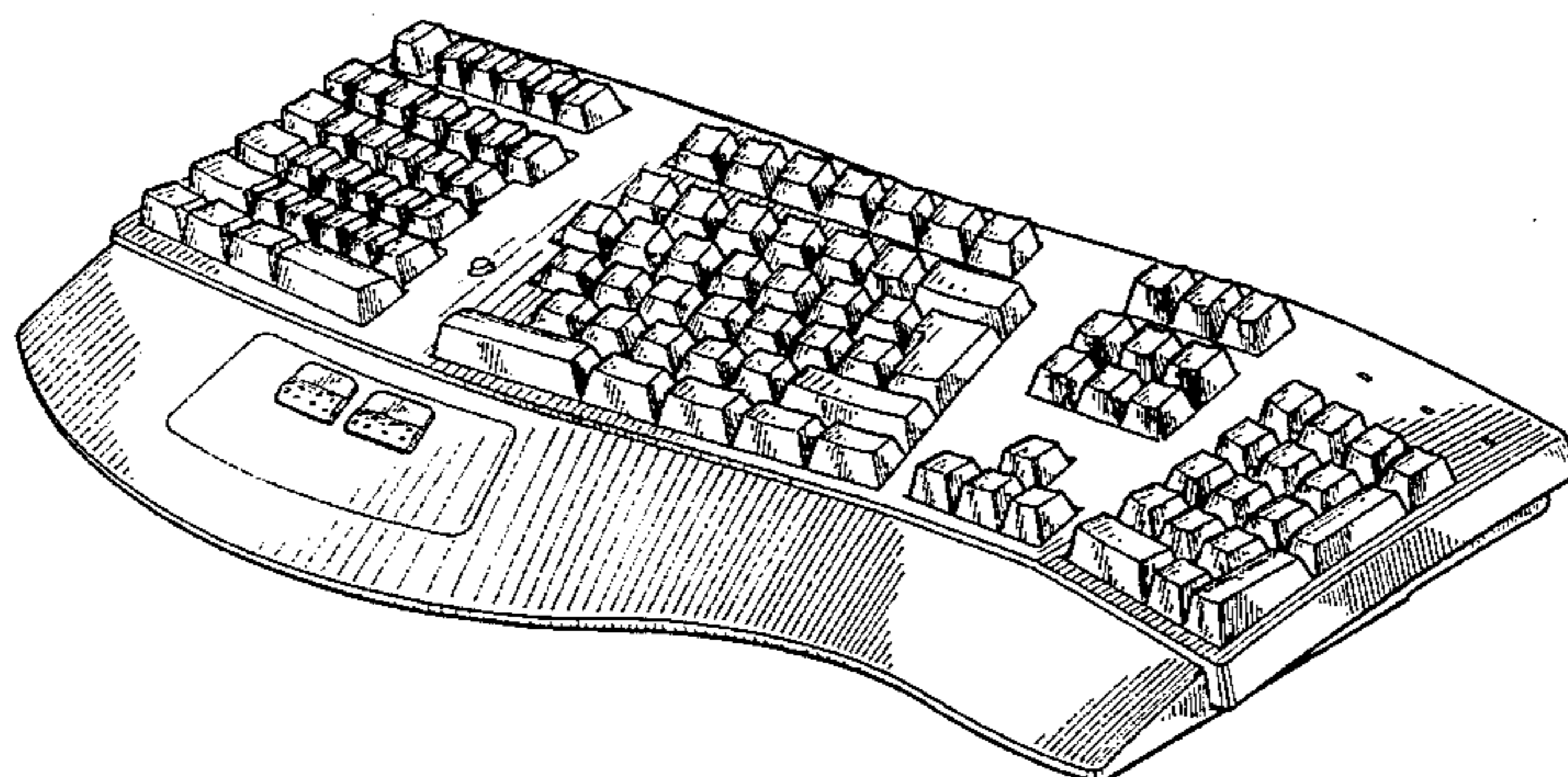
[57] **CLAIM**

The ornamental design for a keyboard, as shown and described.

**DESCRIPTION**

FIG. 1 is a top perspective view of a keyboard showing our new design;  
 FIG. 2 is a bottom perspective view thereof with the support legs folded up;  
 FIG. 3 is a bottom perspective view thereof with the support legs unfolded;  
 FIG. 4 is a top plan view thereof;  
 FIG. 5 is a front elevational view thereof;  
 FIG. 6 is a rear elevational view thereof;  
 FIG. 7 is a right side elevational view thereof;  
 FIG. 8 is a left side elevational view thereof; and,  
 FIG. 9 is a right side elevational view thereof with the support legs unfolded.

**1 Claim, 7 Drawing Sheets**



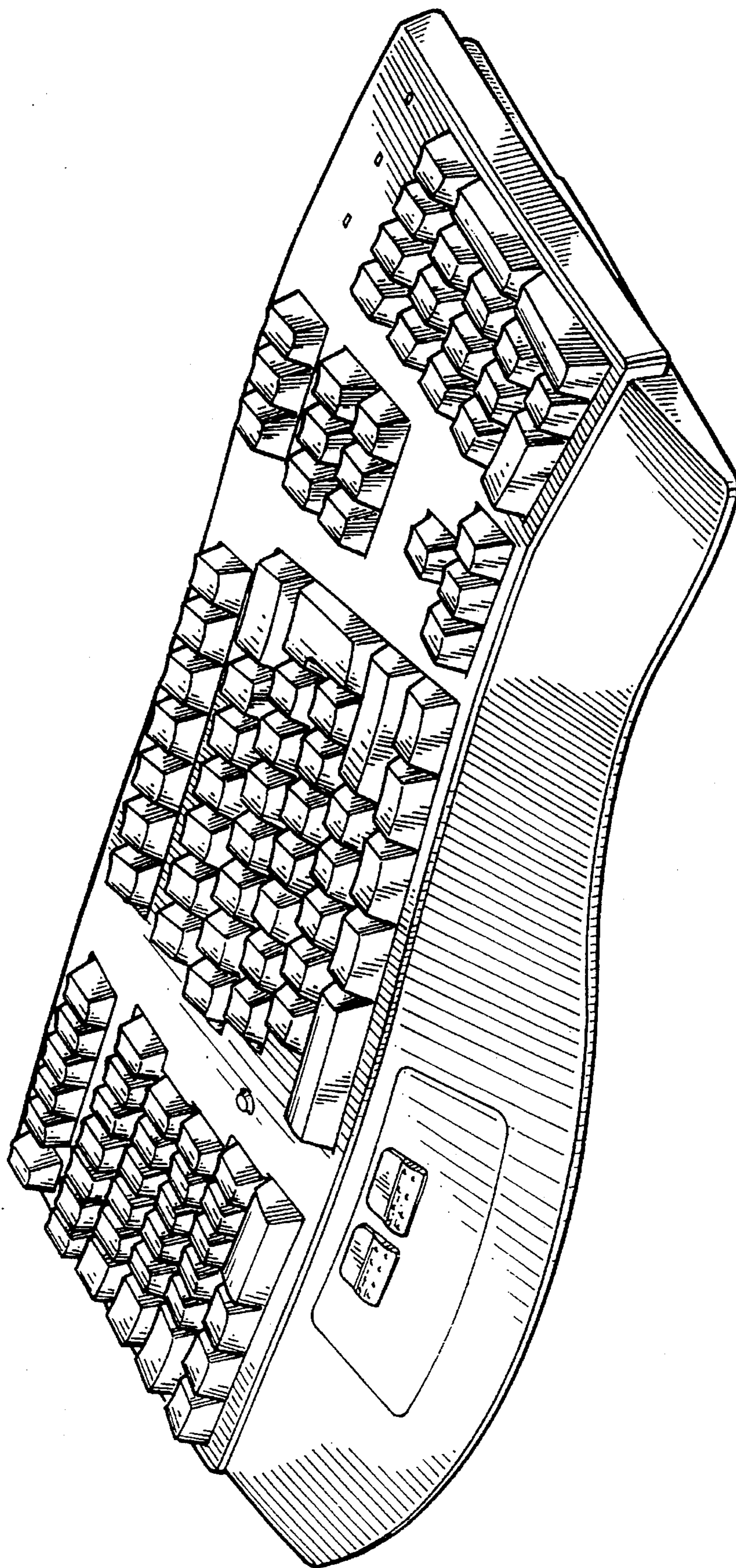


FIG. 1

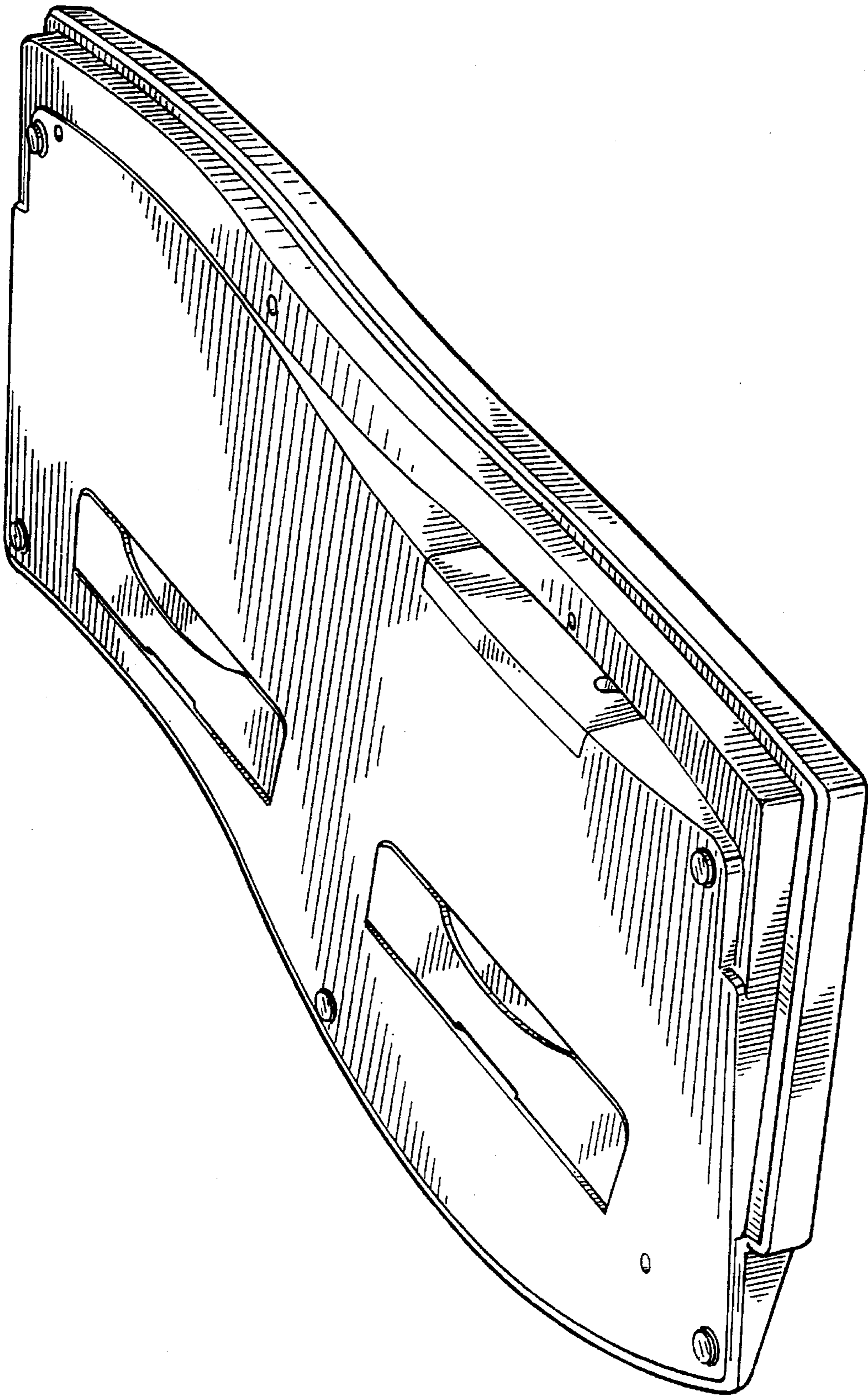


FIG. 2

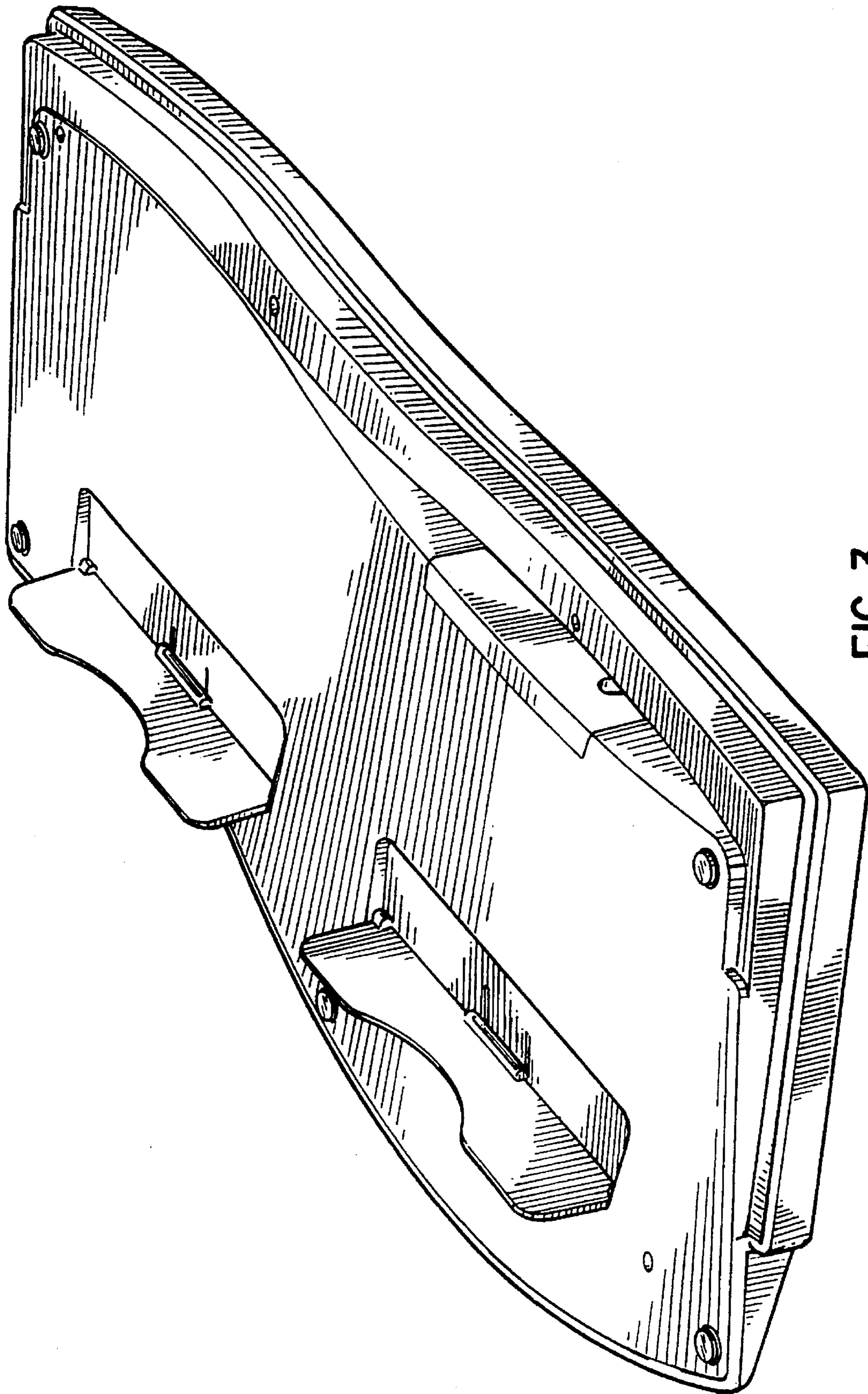


FIG. 3

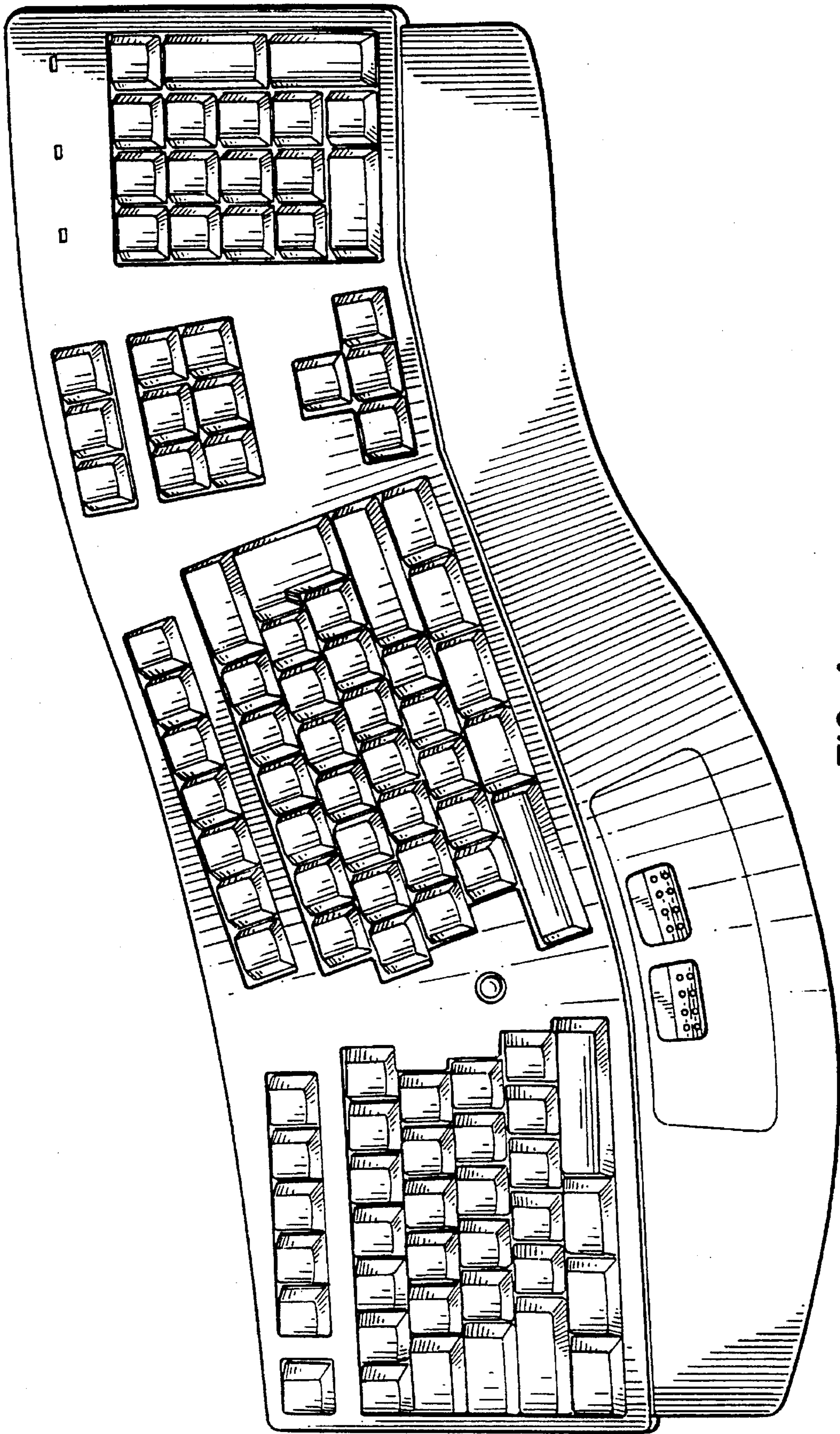


FIG. 4

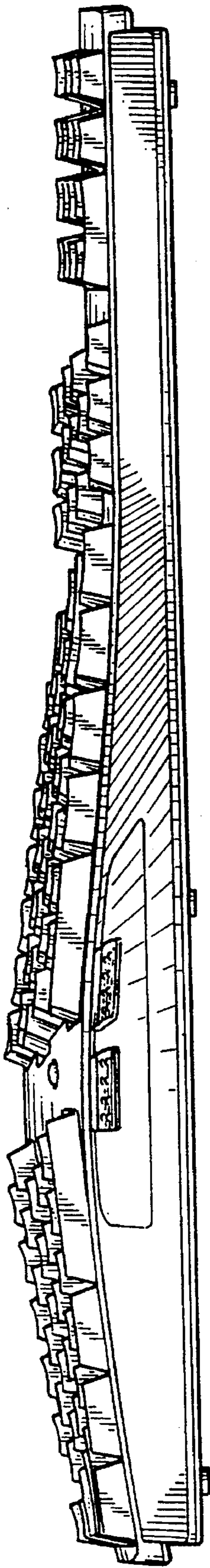


FIG. 5

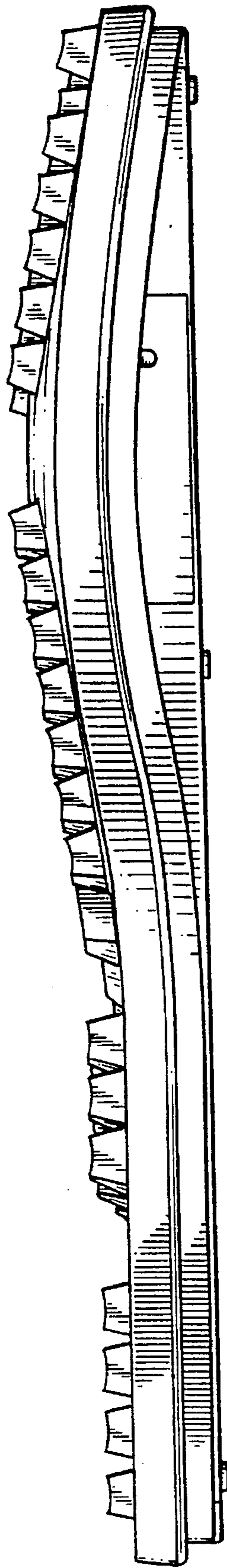


FIG. 6

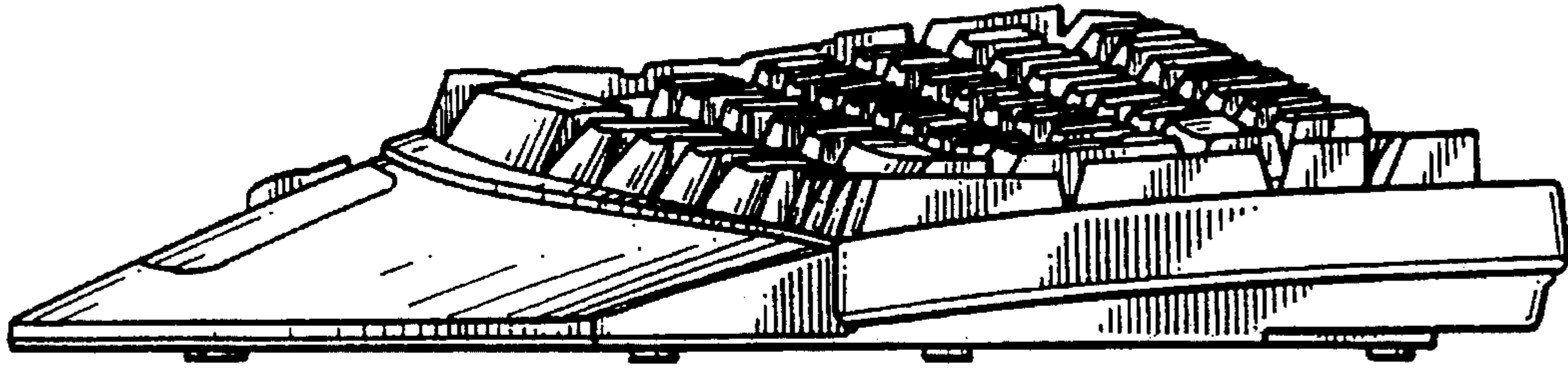


FIG. 7

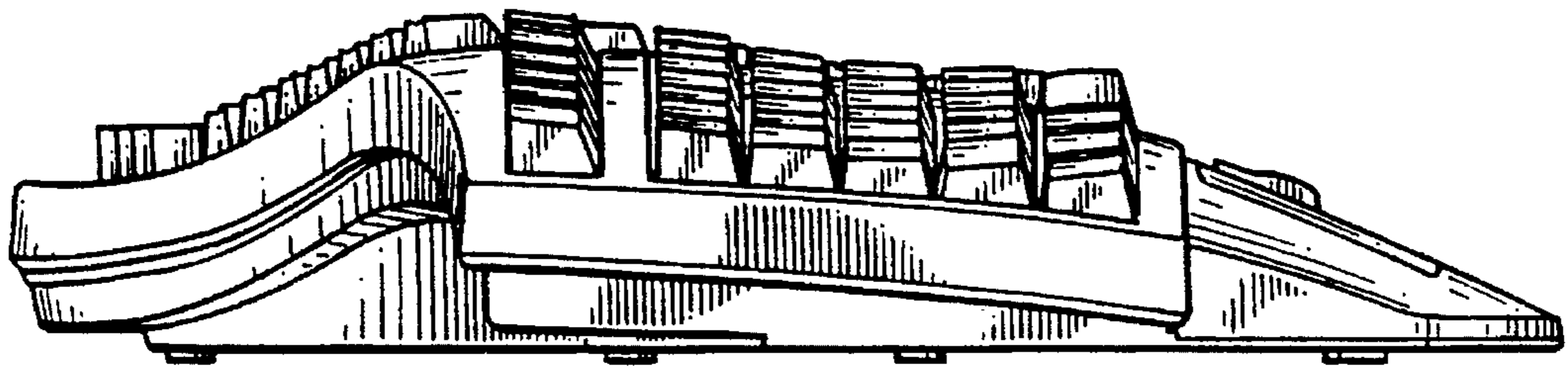


FIG. 8

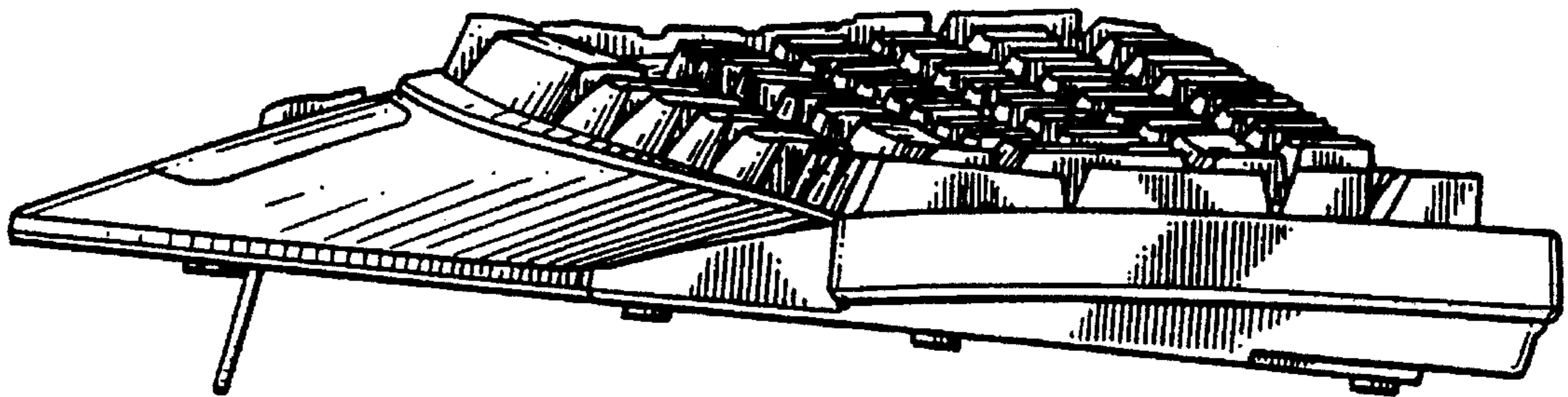


FIG. 9