



US00D368899S

United States Patent [19] Kao

[11] **Patent Number: Des. 368,899**
[45] **Date of Patent: **Apr. 16, 1996**

[54] **MONITOR**

[75] **Inventor: Michael Kao, Taipei, Taiwan**

[73] **Assignee: Chuntex Electronic Co., Ltd., Taiwan**

[**] **Term: 14 Years**

[21] **Appl. No.: 32,111**

[22] **Filed: Dec. 2, 1994**

[30] Foreign Application Priority Data

Sep. 2, 1994 [CN] China 94311003.3
[52] **U.S. Cl.** **D14/113; D14/126**
[58] **Field of Search** D14/100, 101,
D14/106, 113, 124-129; 345/104, 133,
156, 168, 87, 173, 901-905; 358/249, 254,
255; 248/917-924

[56] References Cited

U.S. PATENT DOCUMENTS

D. 312,453 11/1990 Oh D14/113

D. 339,797 9/1993 Gluskoter et al. D14/113
D. 348,049 6/1994 Manabe et al. D14/100
D. 357,908 5/1995 Imai et al. D14/113

Primary Examiner—Freda Nunn
Attorney, Agent, or Firm—Beveridge, DeGrandi, Weilacher & Young

[57] CLAIM

The ornamental design for a monitor, as shown and described.

DESCRIPTION

FIG. 1 is a perspective view of a monitor showing my new design with a panel shown opened;
FIG. 2 is a front view thereof;
FIG. 3 is a rear elevation view thereof;
FIG. 4 is a right side view thereof the left side view is the same as the right side view;
FIG. 5 is a bottom view thereof; and,
FIG. 6 is a top view thereof.

1 Claim, 3 Drawing Sheets

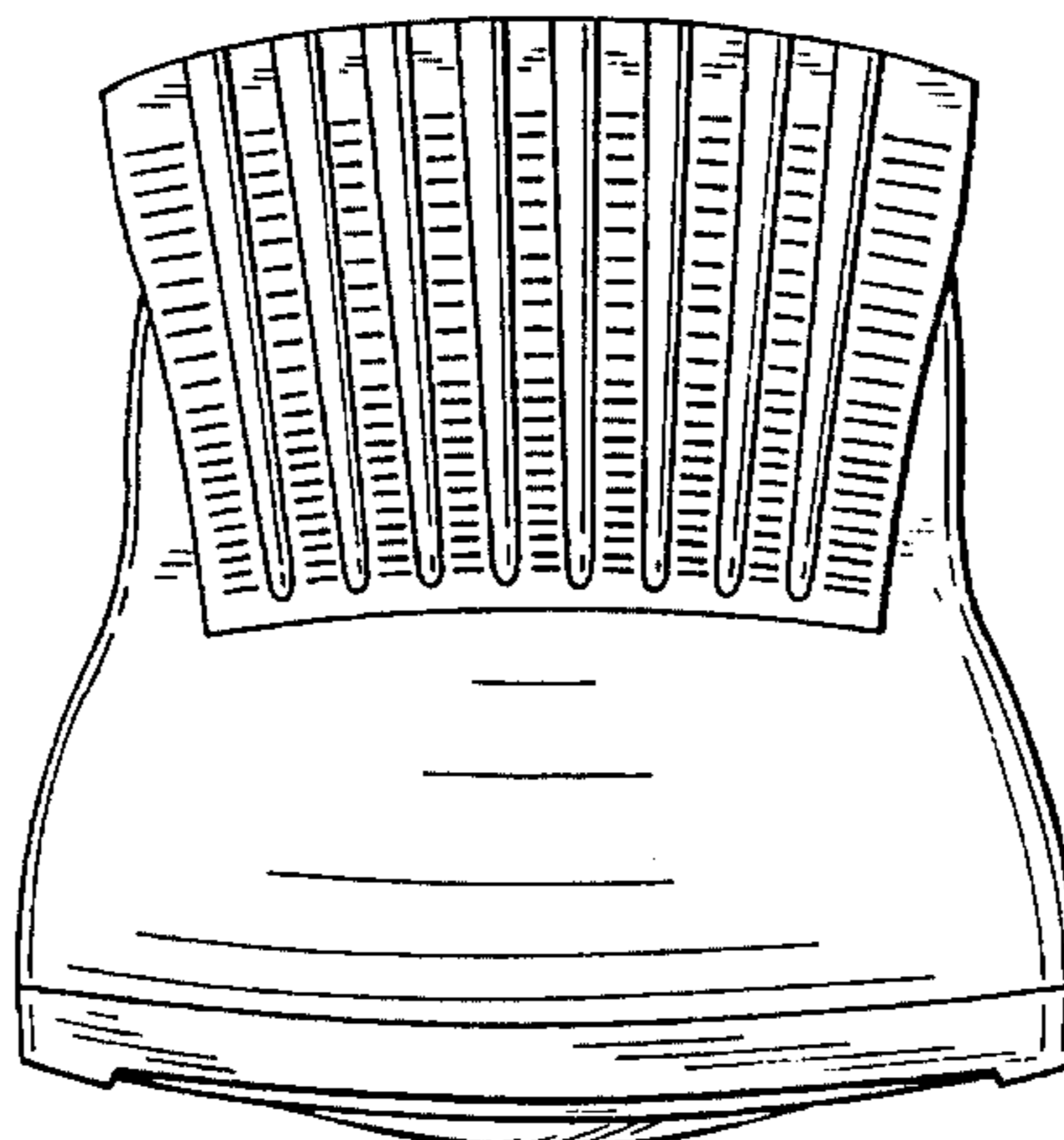
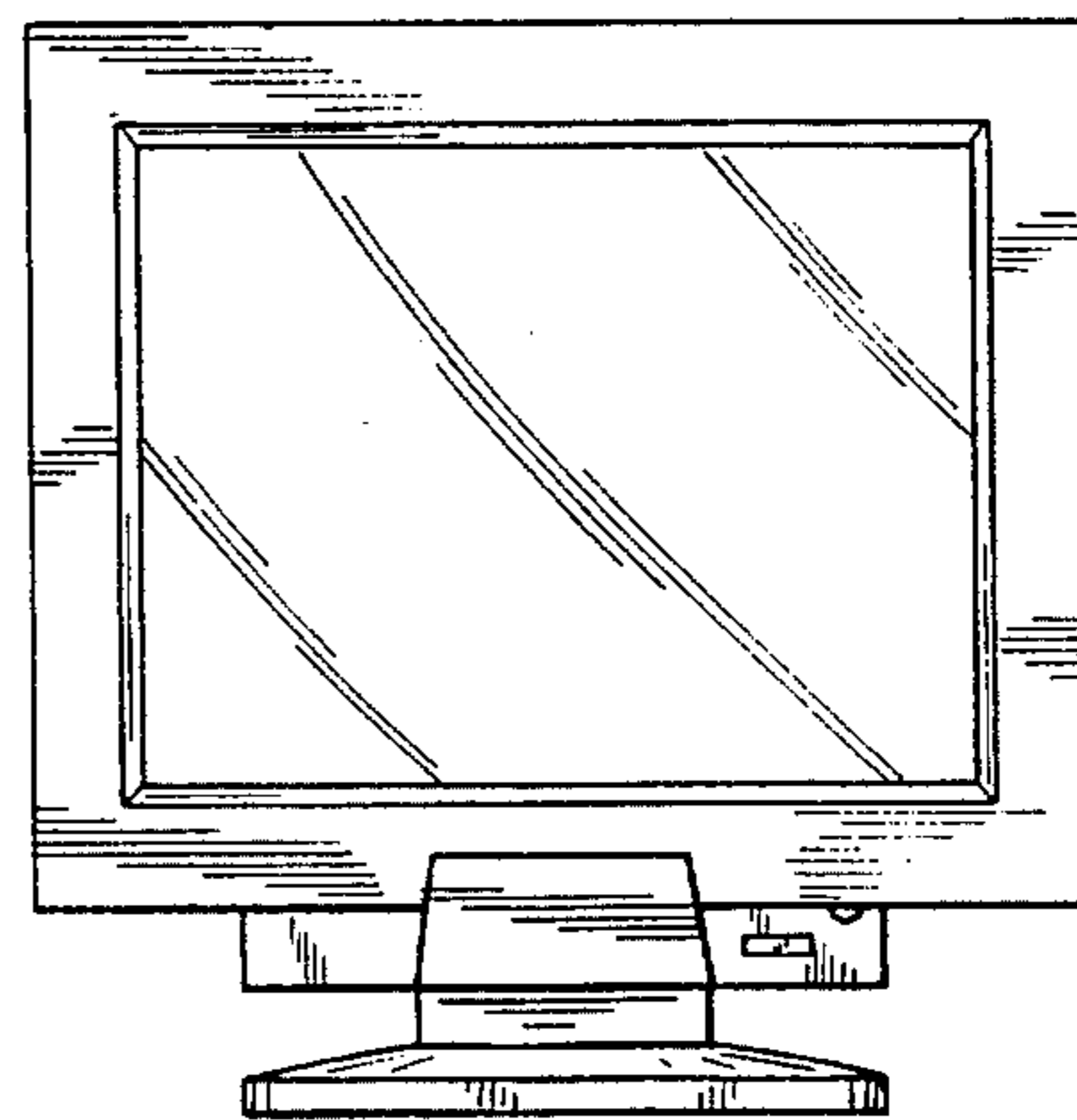
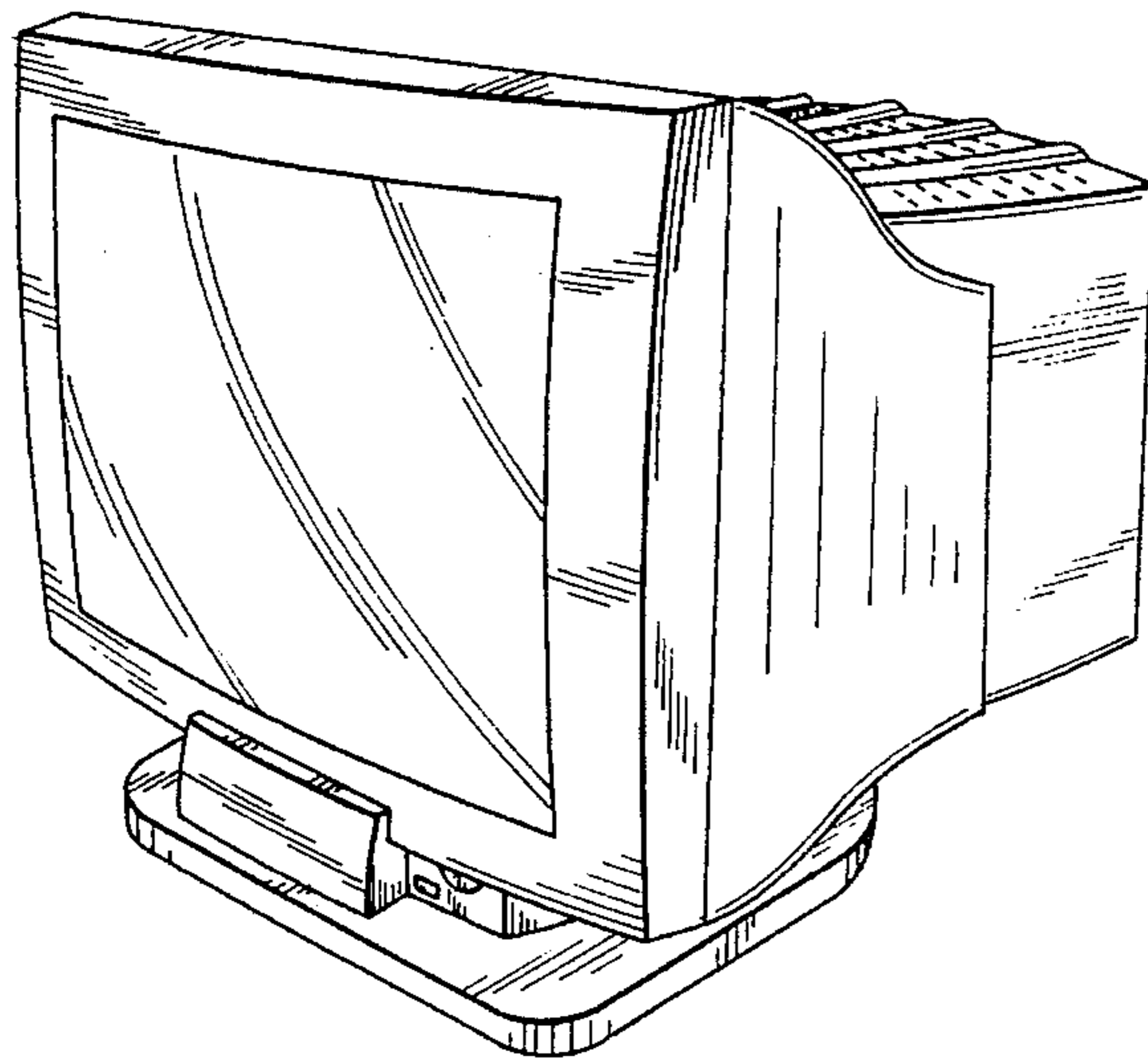


FIG. 1

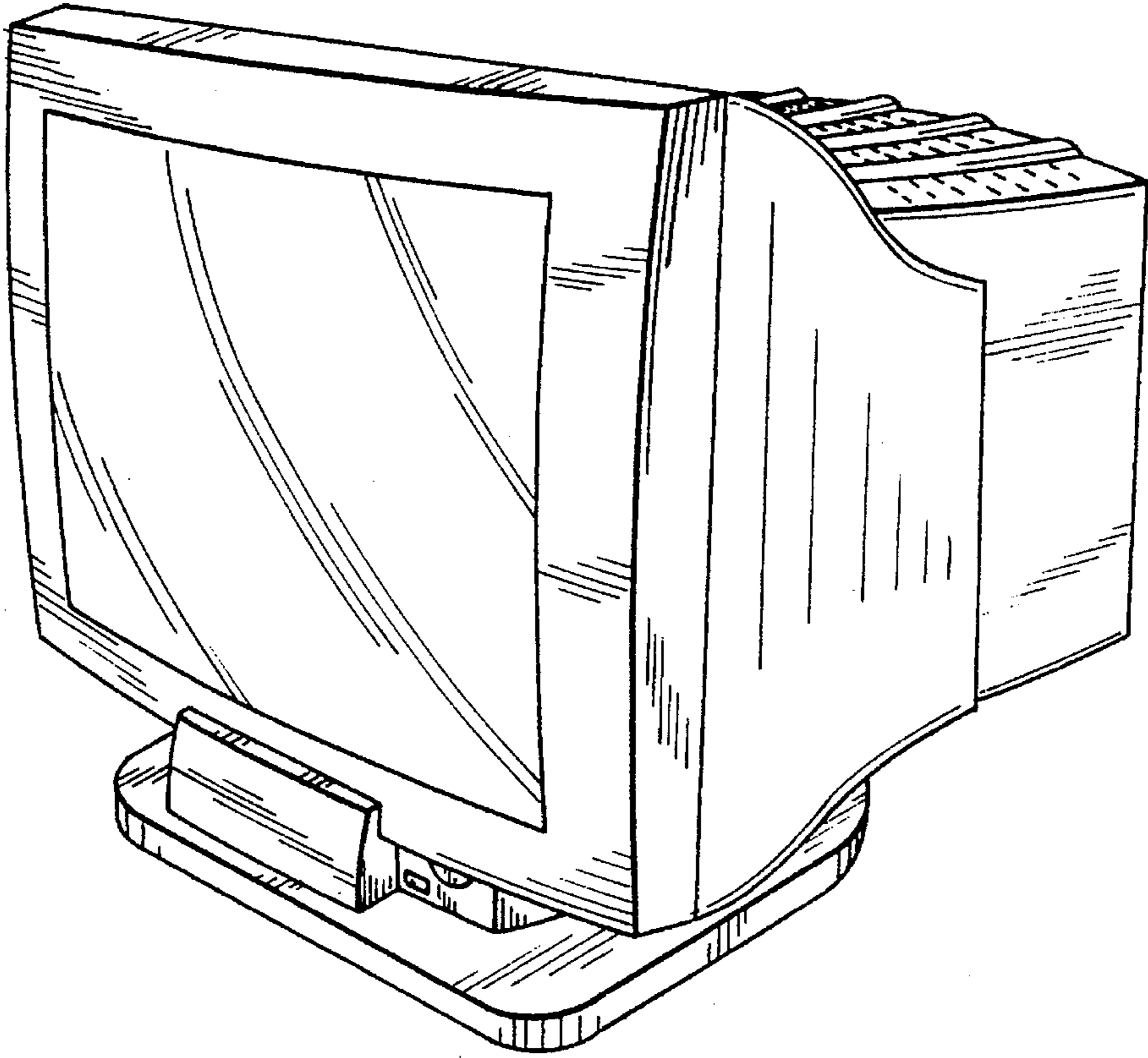


FIG. 2

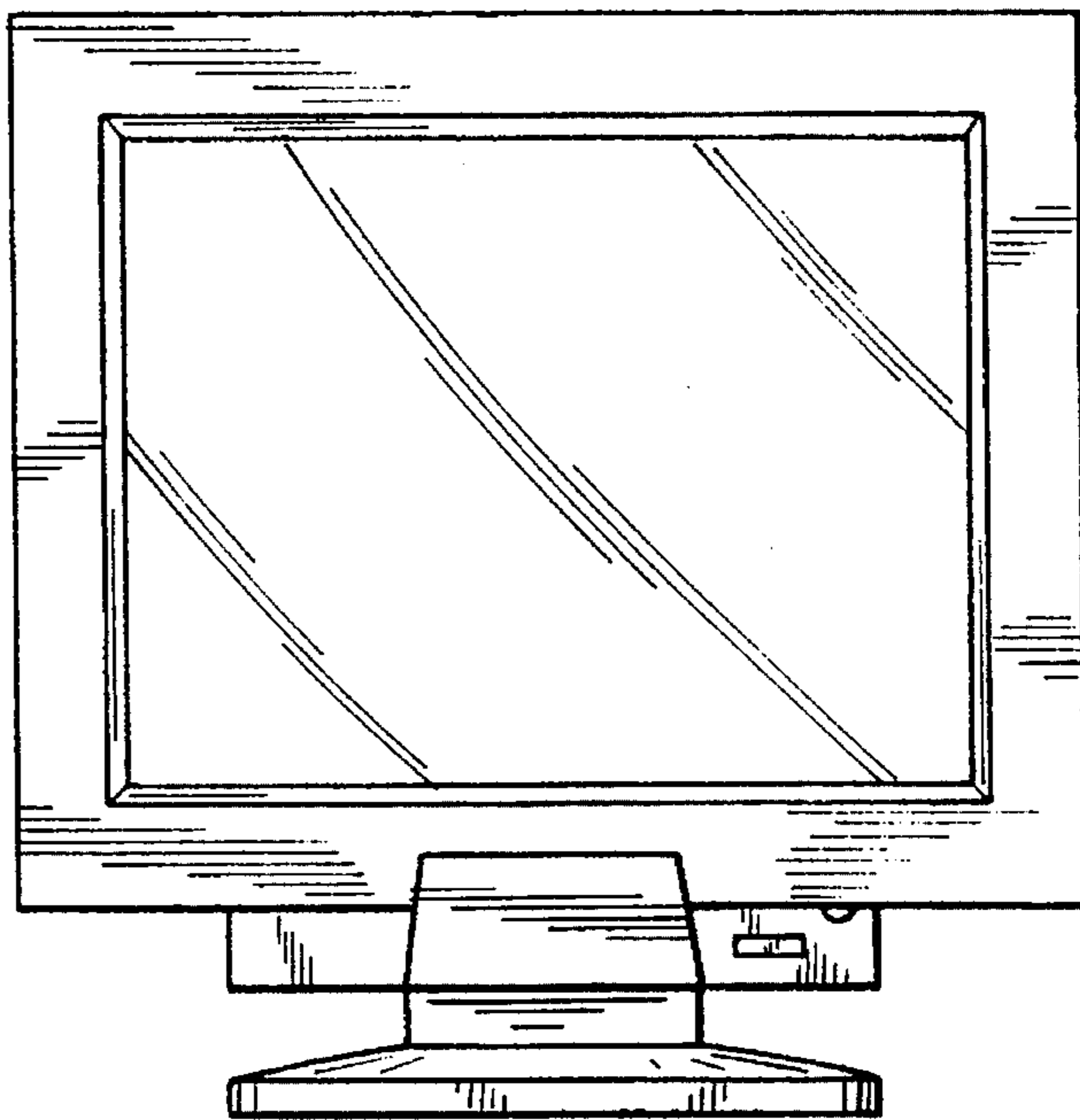


FIG. 3

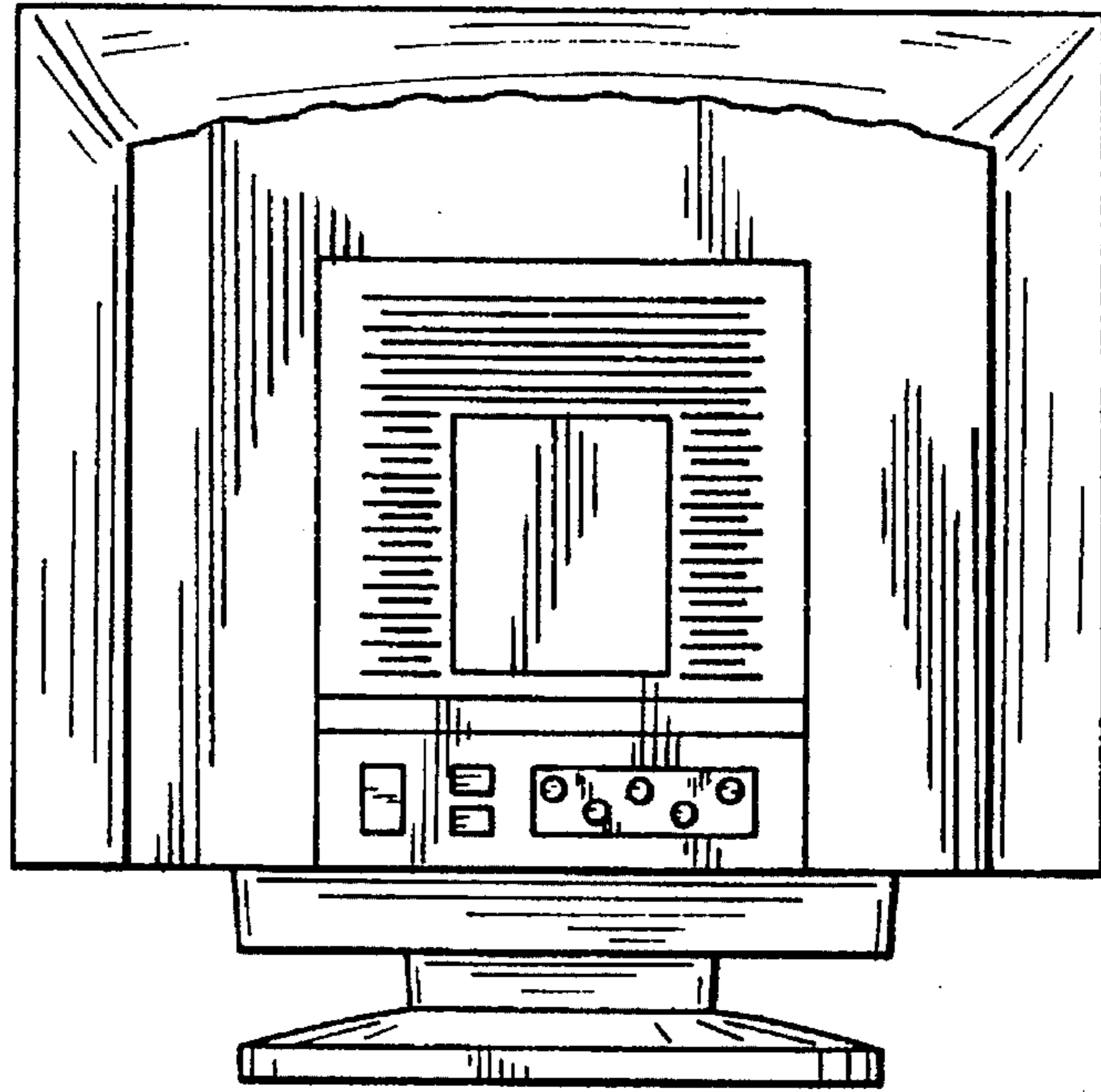


FIG. 4

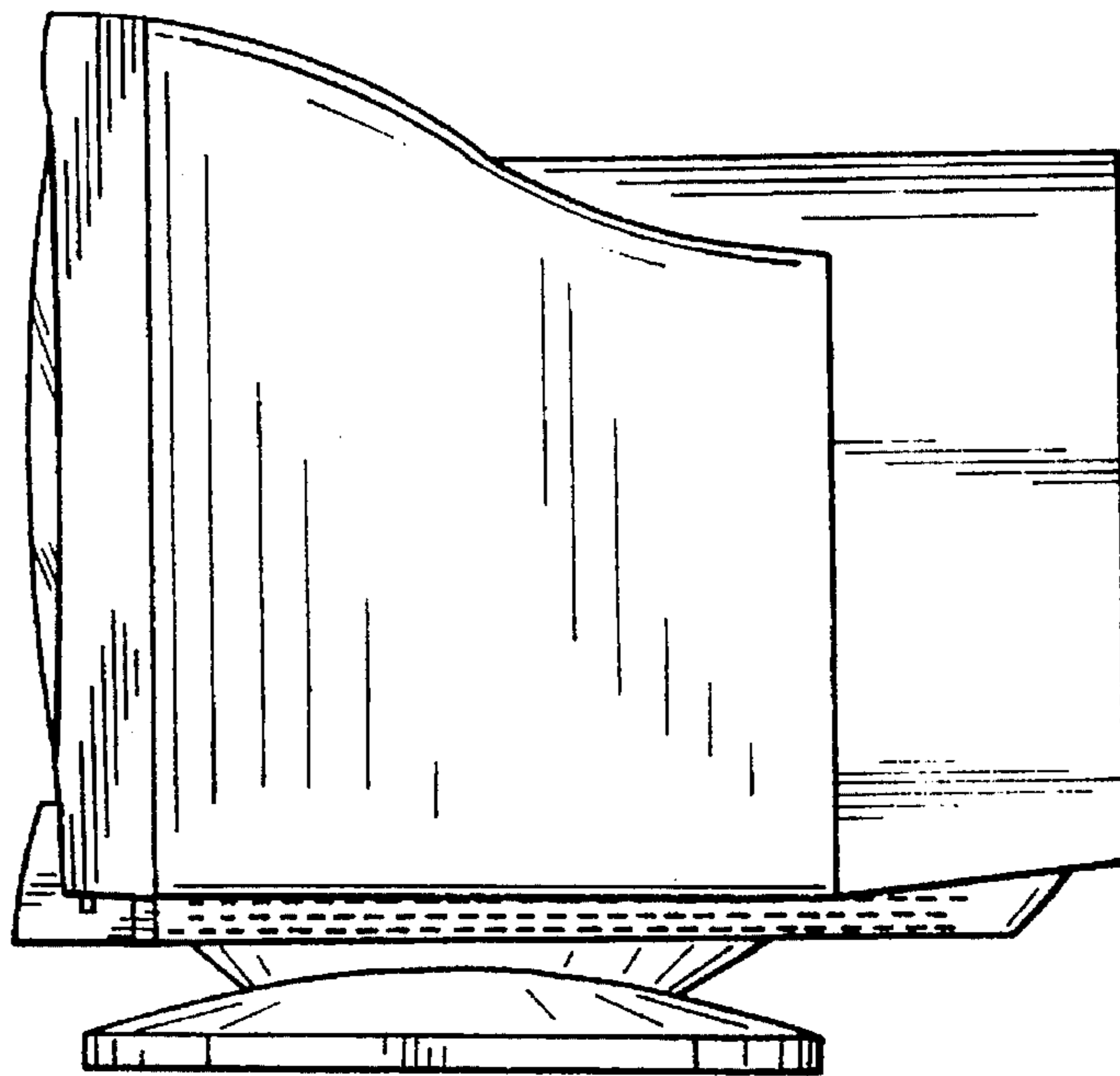


FIG. 5

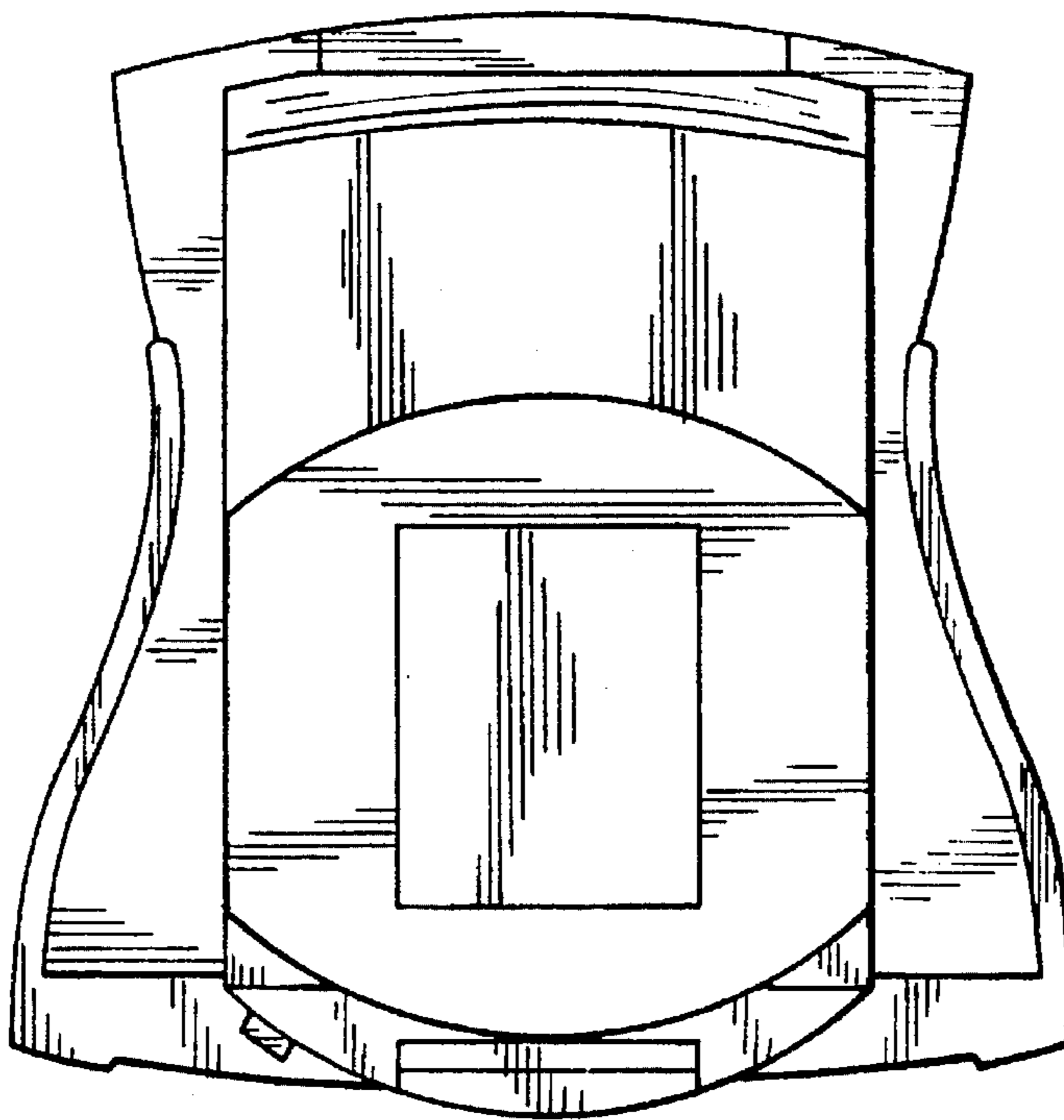


FIG. 6

