



US00D368897S

United States Patent [19]
Takahashi

[11] **Patent Number: Des. 368,897**
[45] **Date of Patent: **Apr. 16, 1996**

[54] **PERSONAL LAPTOP COMPUTER**

[75] Inventor: **Tomoyuki Takahashi**, Kanagawa, Japan

[73] Assignee: **International Business Machines Corporation**, Armonk, N.Y.

[**] Term: **14 Years**

[21] Appl. No.: **30,714**

[22] Filed: **Nov. 7, 1994**

[52] U.S. Cl. **D14/106**

[58] Field of Search D14/100, 101, D14/106, 113, 115, 124-127; D18/1, 7; 235/145 A, 145 R; 341/22, 23; 345/104, 156, 168, 173, 901-905, 87; 361/679-686; 364/708.1, 709.04, 709.12; 400/486, 489

[56] **References Cited**

U.S. PATENT DOCUMENTS

D. 350,121 8/1994 Kaneko D14/106
D. 354,950 1/1995 Imai D14/106

Primary Examiner—Freda Nunn

Attorney, Agent, or Firm—Craig J. Yudell; Andrew J. Dillon

[57] **CLAIM**

The ornamental design for a personal laptop computer, as shown and described.

DESCRIPTION

FIG. 1 is a perspective view of the personal laptop computer

of the present invention in an opened posture;

FIG. 2 is a front elevational view thereof in an opened posture;

FIG. 3 is a rear elevational view thereof in an opened posture;

FIG. 4 is a top plan view thereof in an opened posture;

FIG. 5 is a bottom plan view thereof in an opened posture;

FIG. 6 is a right side elevational view thereof in an opened posture;

FIG. 7 is a left side elevational view thereof in an opened posture;

FIG. 8 is a perspective view thereof in a closed posture;

FIG. 9 is a front elevational view thereof in a closed posture;

FIG. 10 is a top plan view thereof in a closed posture;

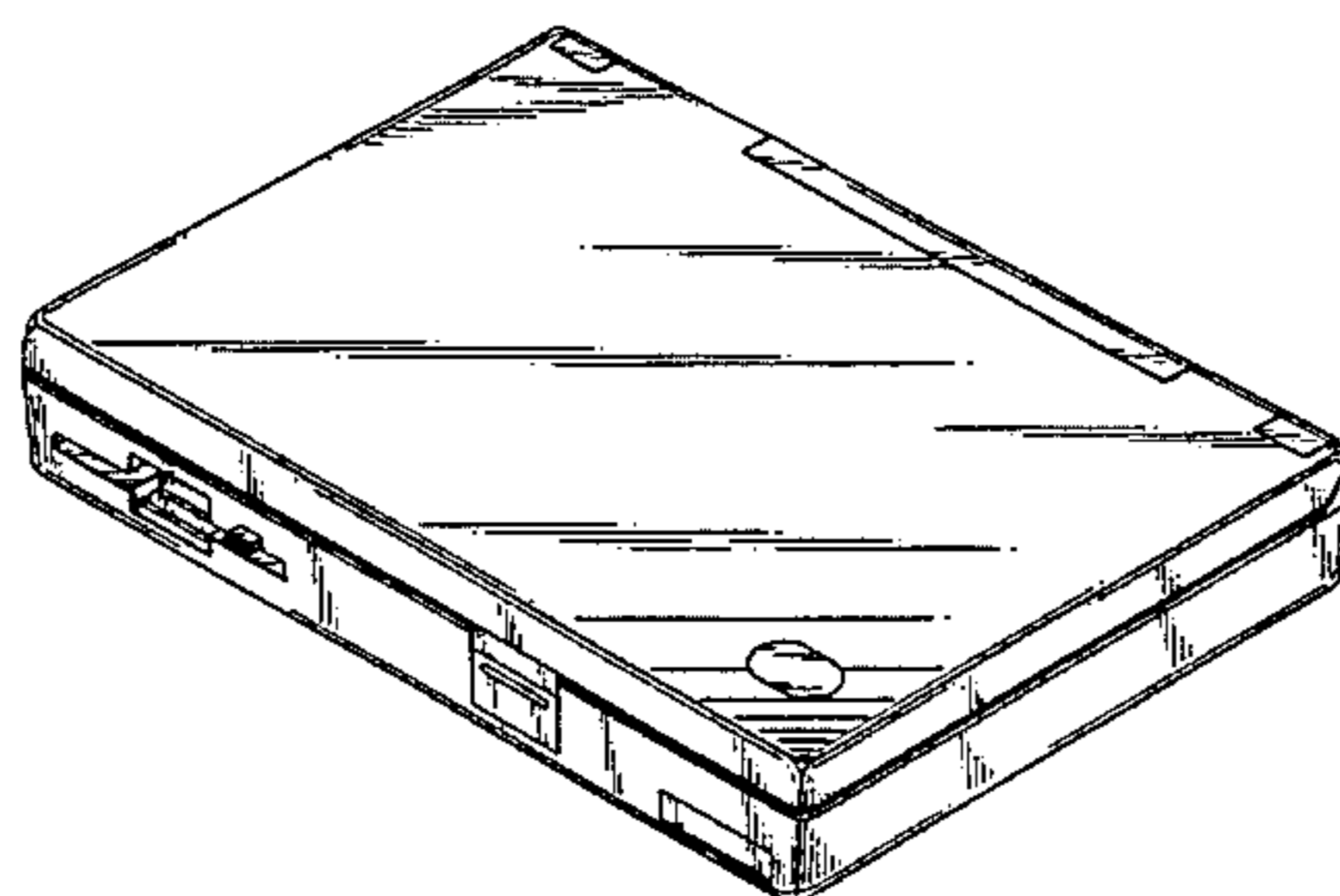
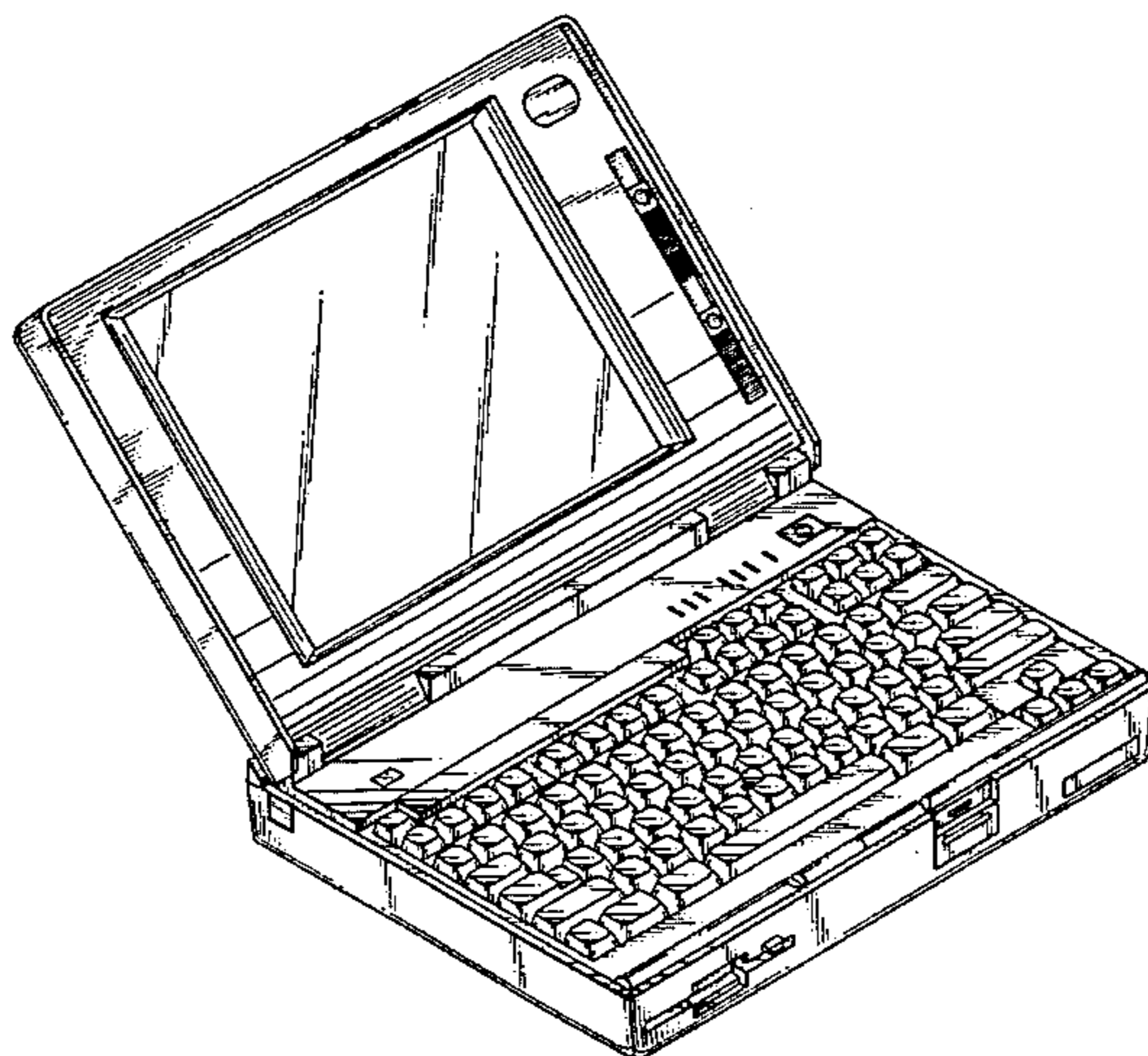
FIG. 11 is a rear elevational view thereof in a closed posture;

FIG. 12 is a bottom plan view thereof in a closed posture;

FIG. 13 is a right side elevational view thereof in a closed posture; and,

FIG. 14 is a left side elevational view thereof in a closed posture.

1 Claim, 6 Drawing Sheets



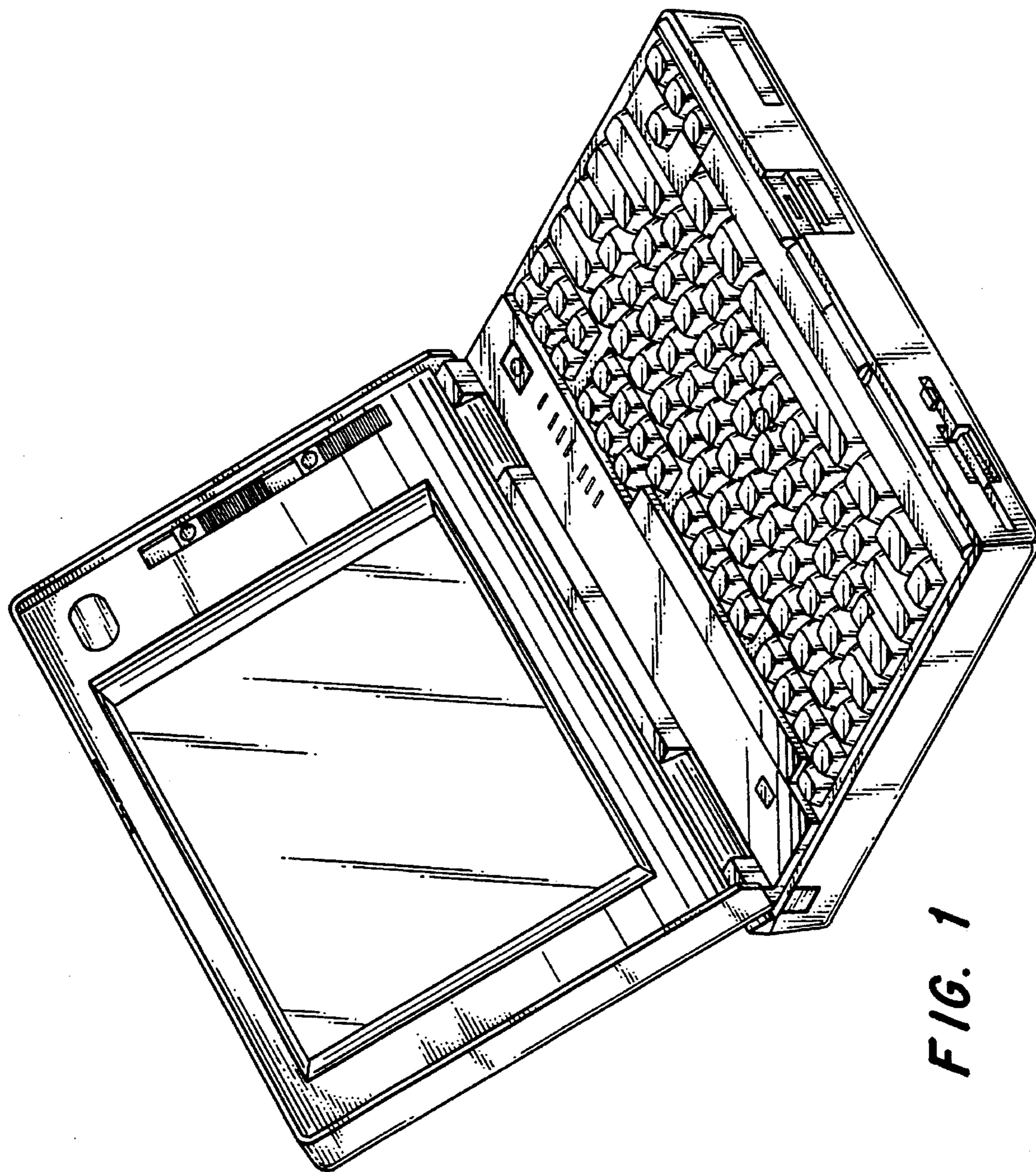


FIG. 1

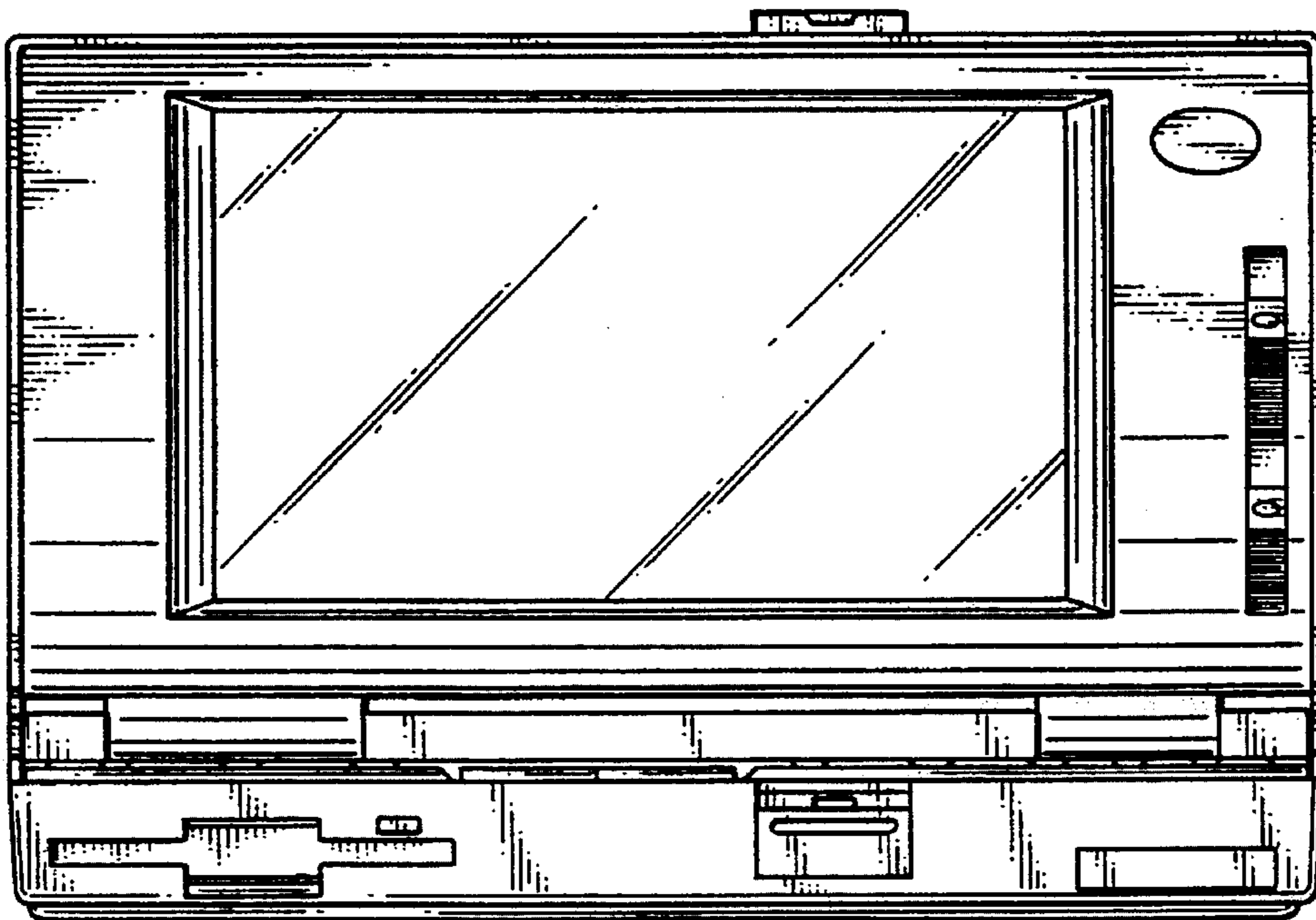


FIG. 2

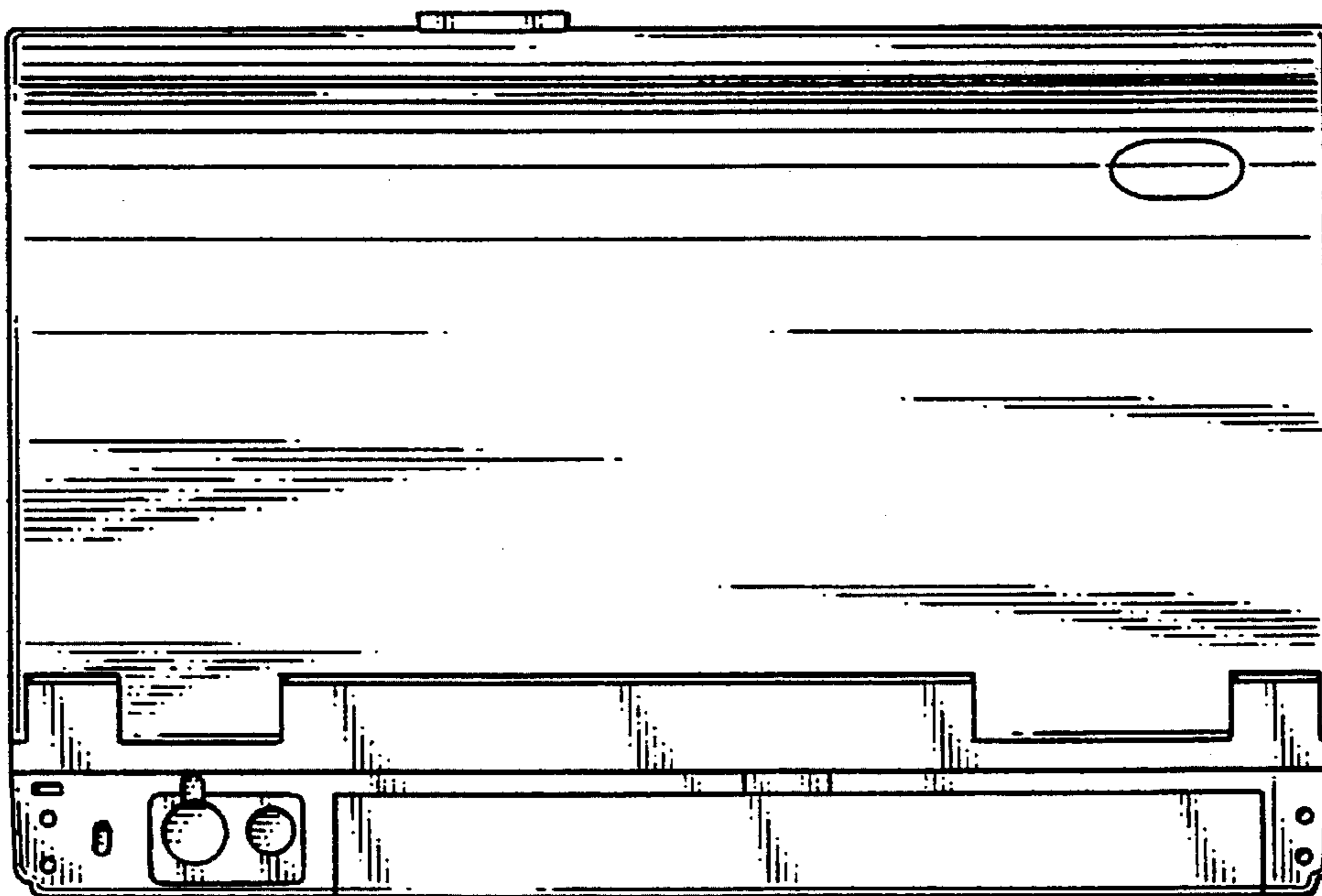


FIG. 3

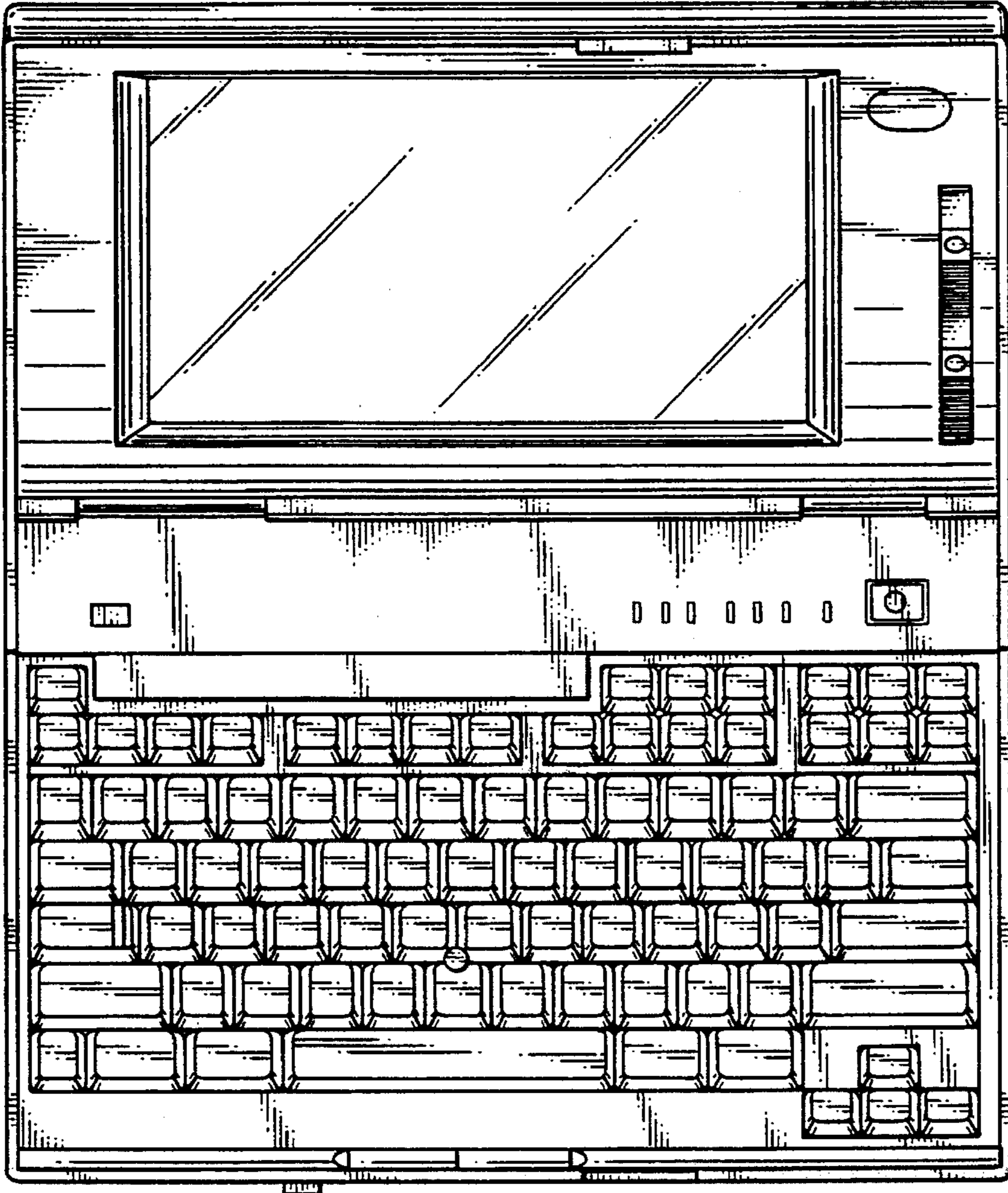


FIG. 4

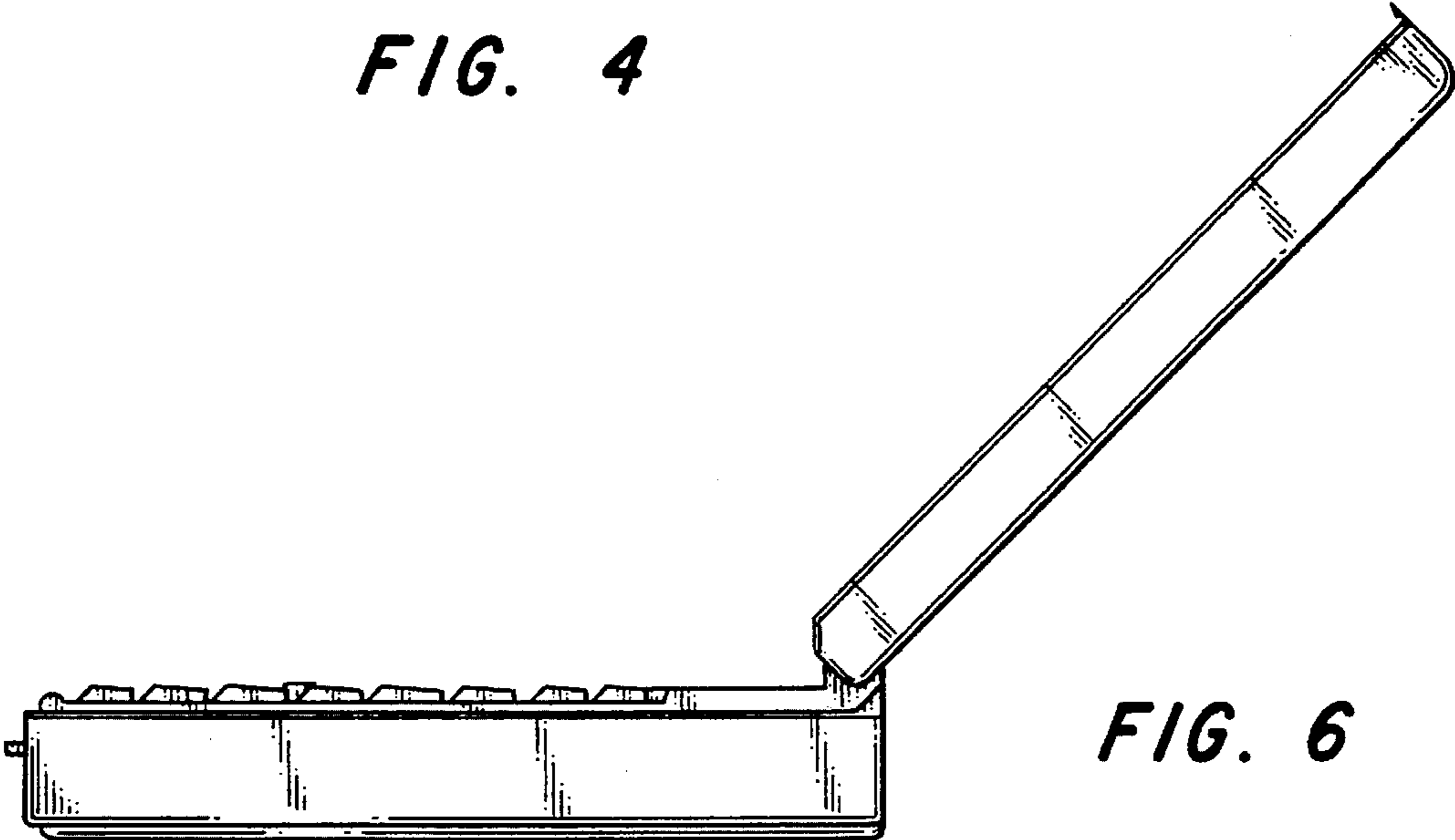


FIG. 6

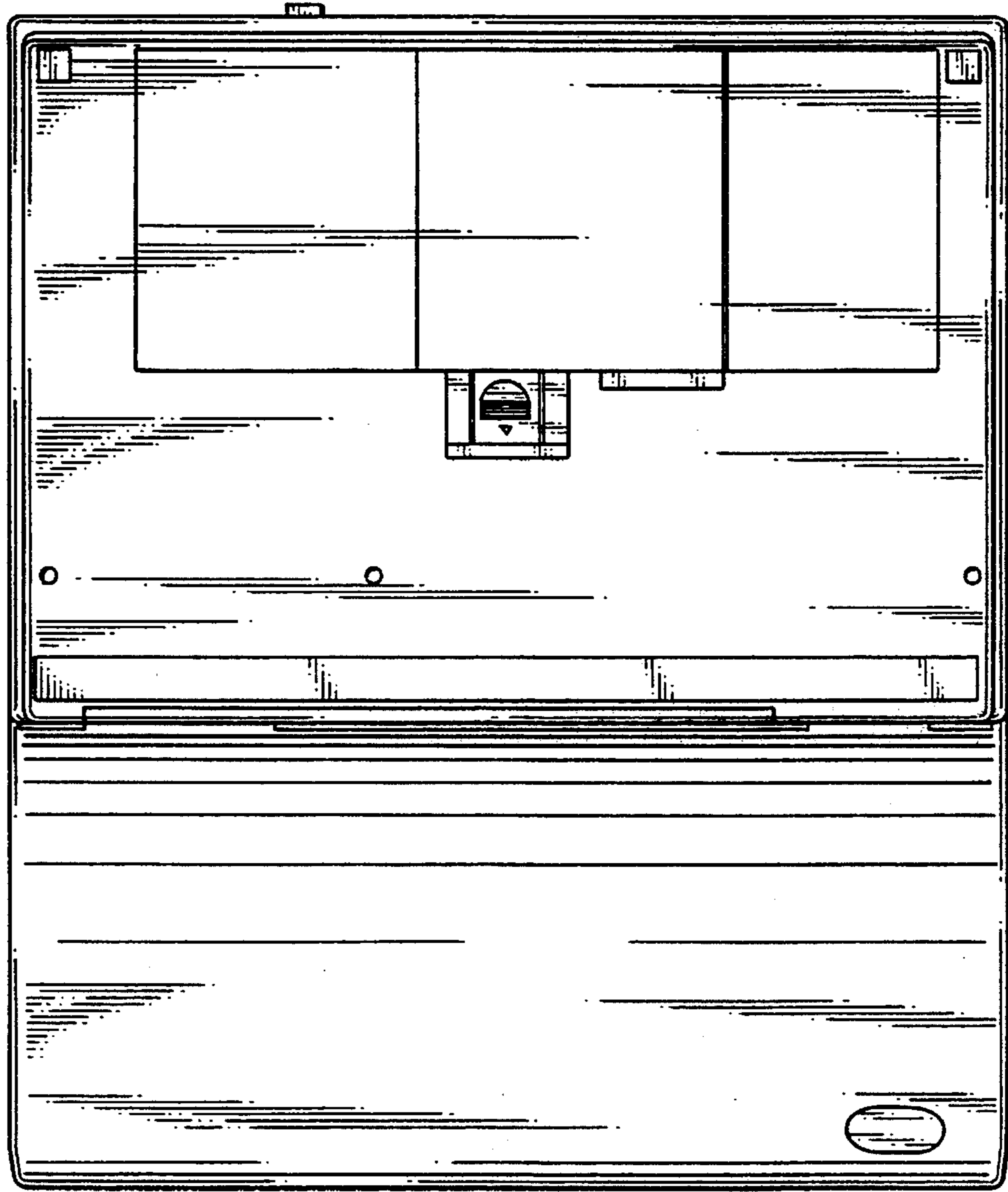


FIG. 5

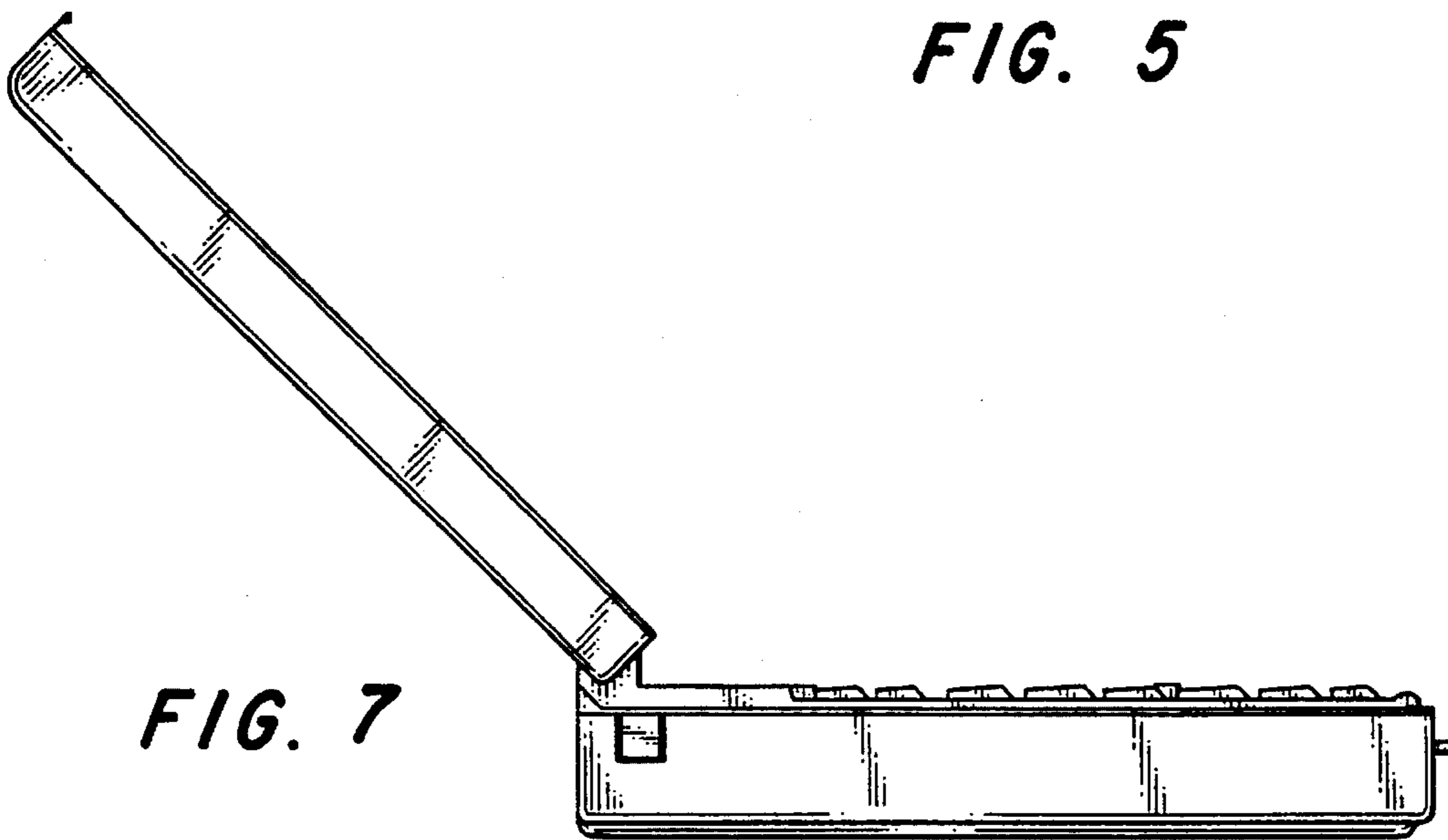


FIG. 7

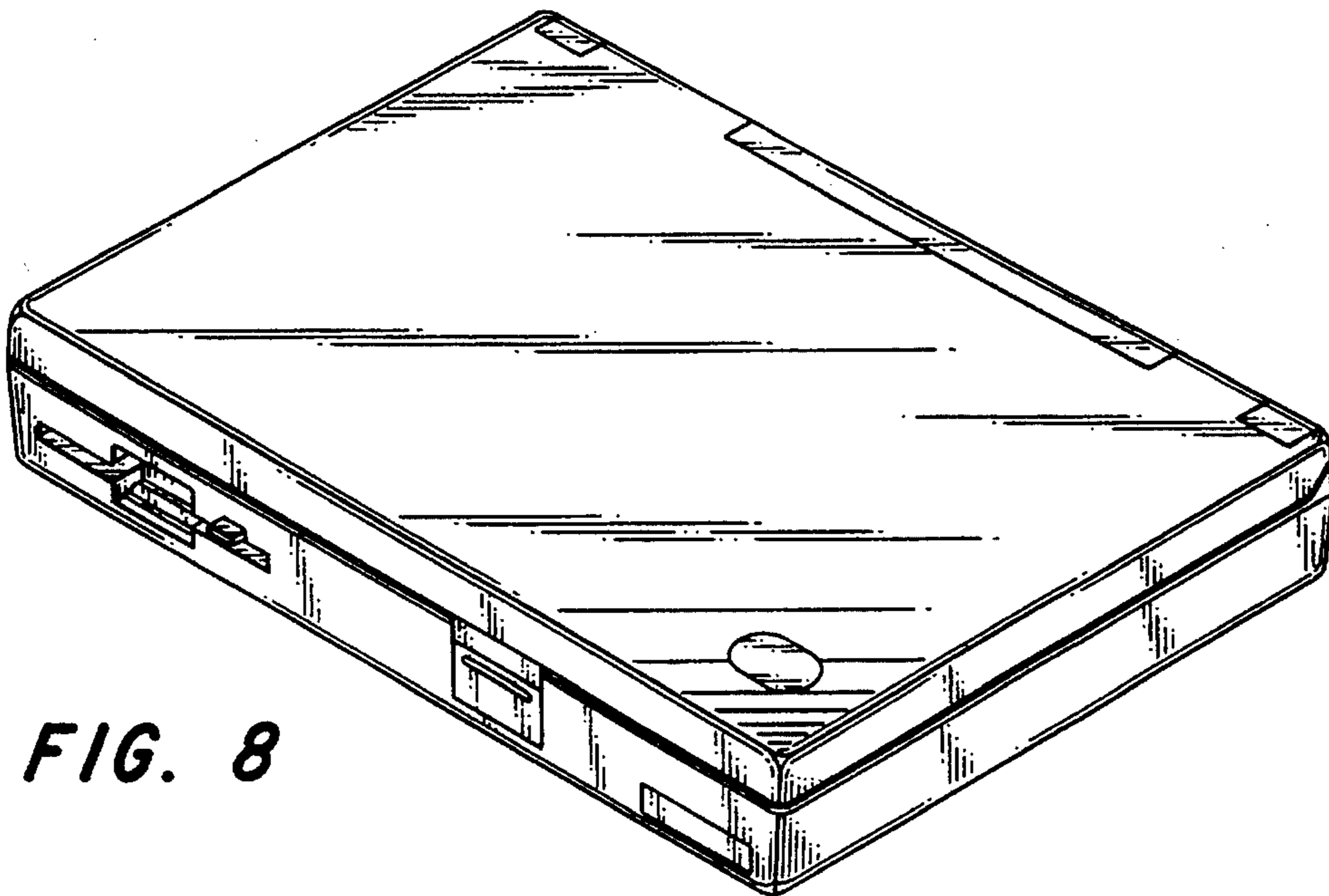


FIG. 8

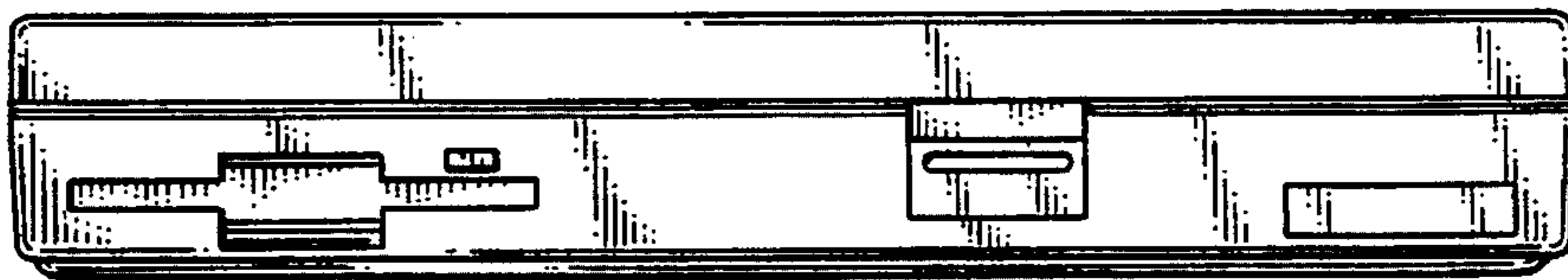


FIG. 9

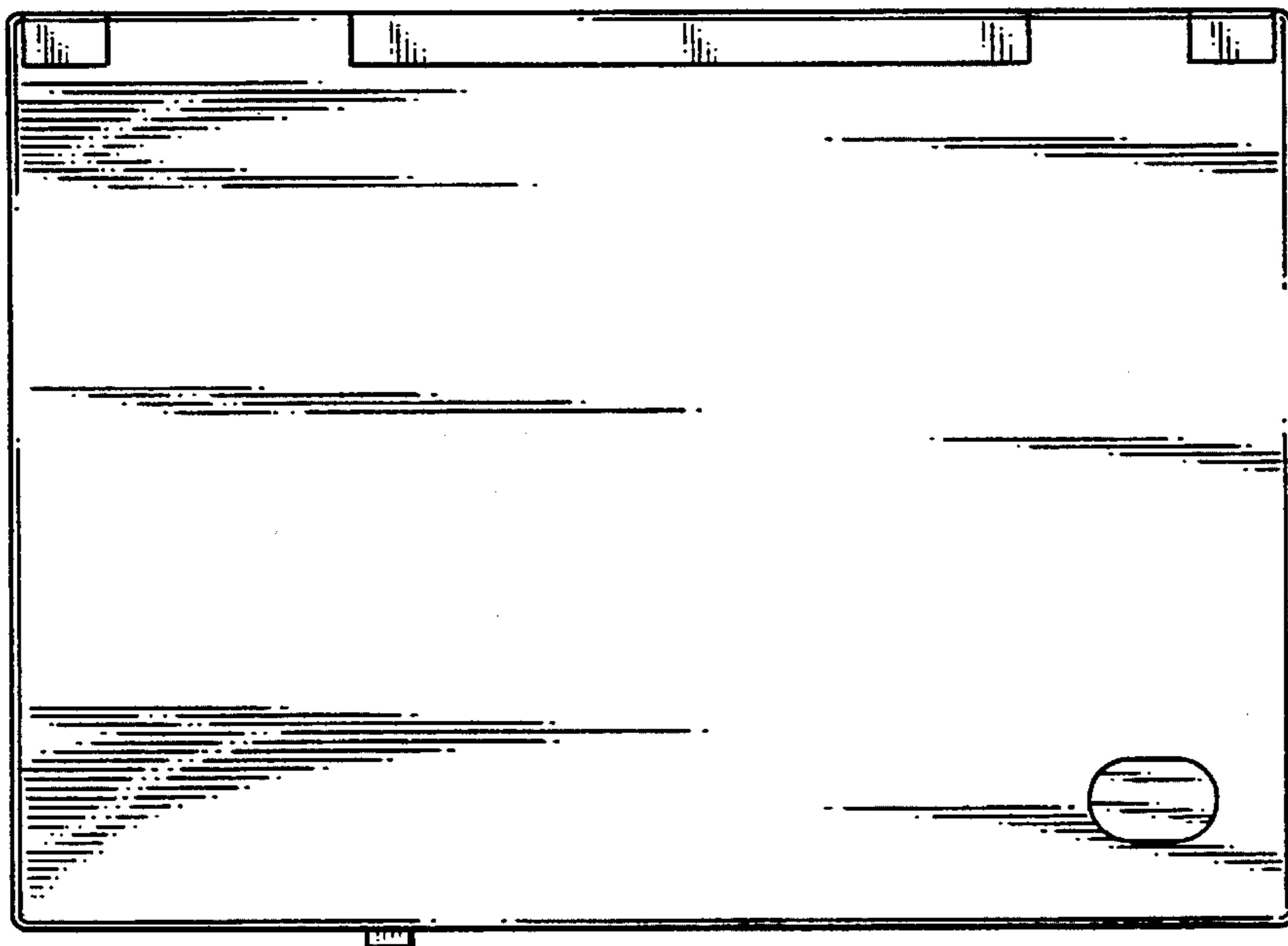


FIG. 10

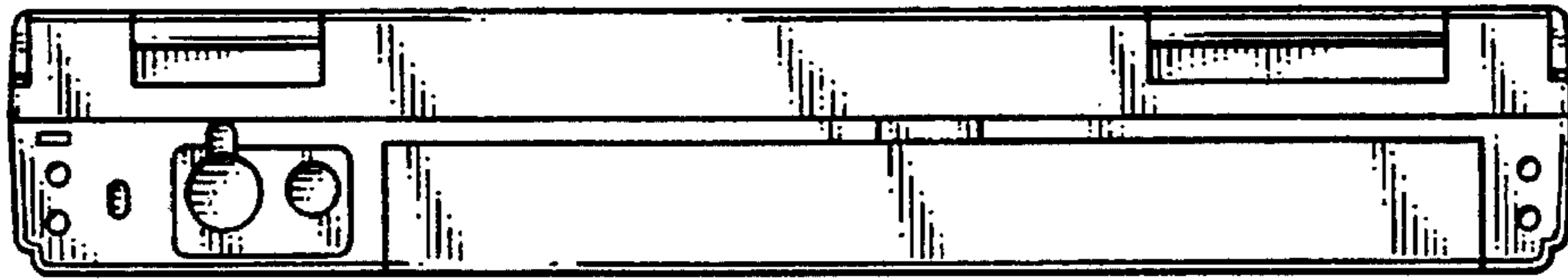


FIG. 11

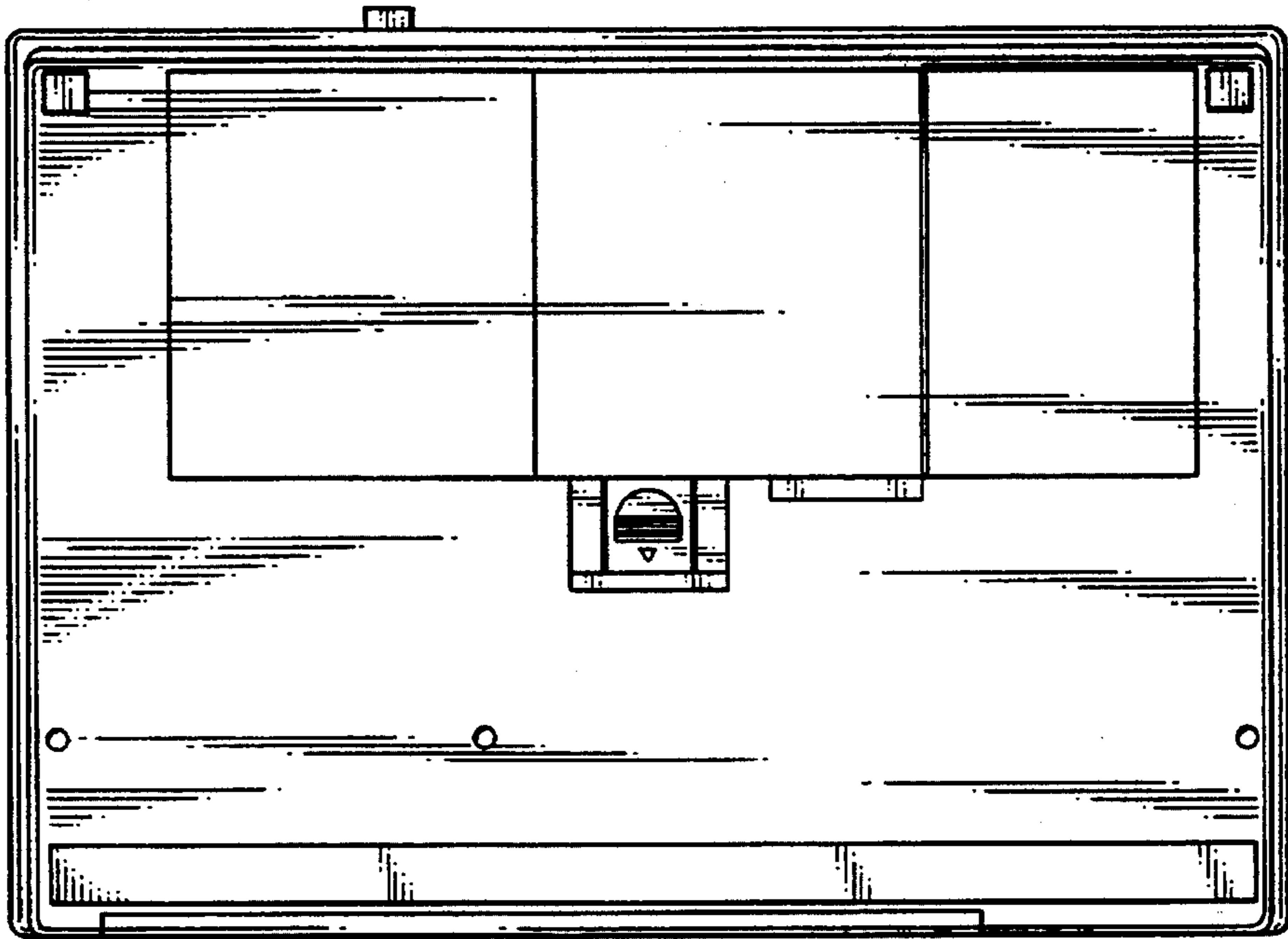


FIG. 12

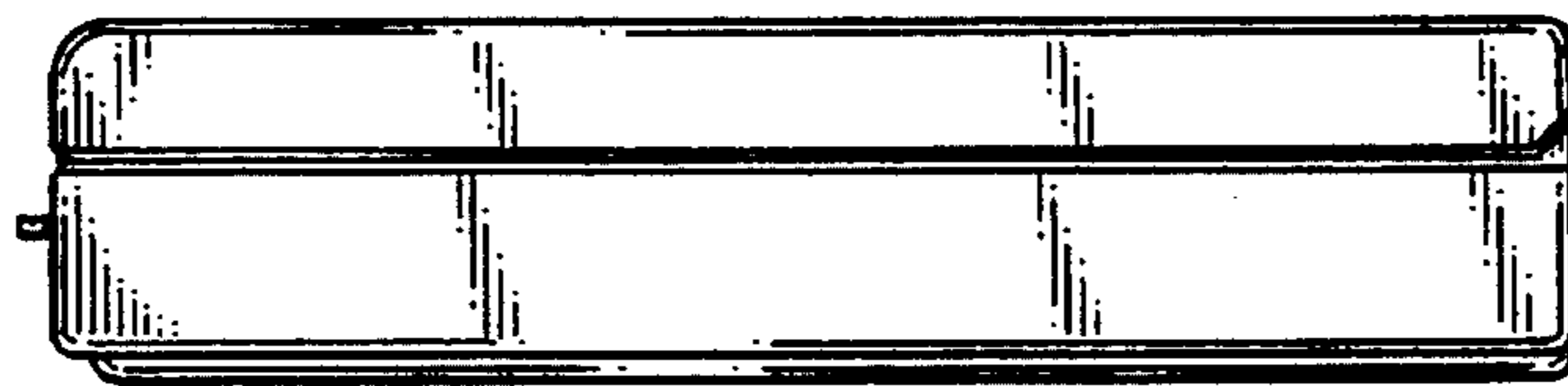


FIG. 13

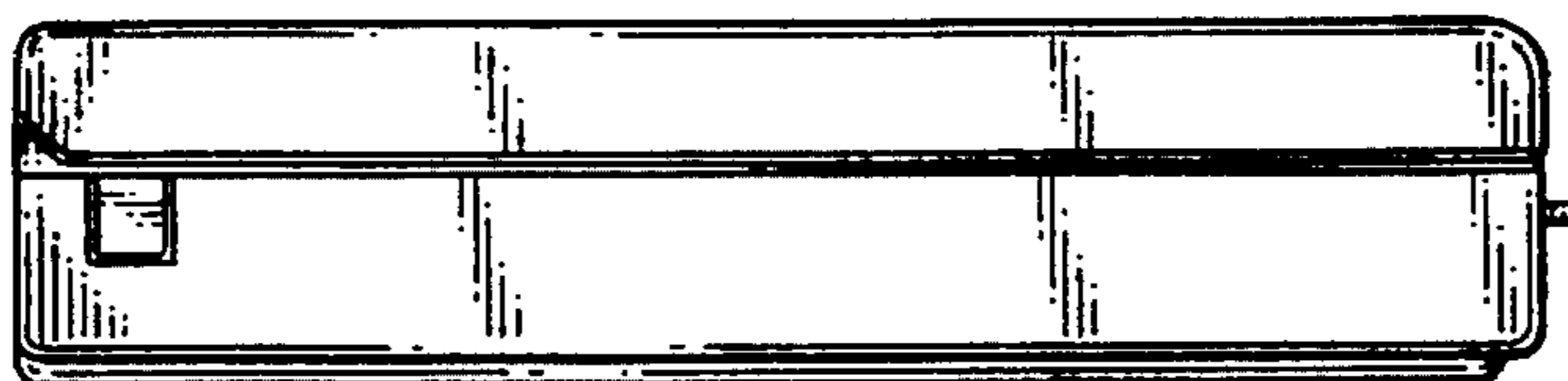


FIG. 14