



US00D368895S

United States Patent [19]

[11] Patent Number: **Des. 368,895**

André et al.

[45] Date of Patent: ****Apr. 16, 1996**

[54] INTEGRATED OFFICE SYSTEM

[75] Inventors: **Bartley K. André**, Menlo Park; **Marc J. van de Loo**, San Francisco; **Timothy J. Parsey**, Palo Alto, all of Calif.

[73] Assignee: **Apple Computer, INC.**, Calif.

[**] Term: **14 Years**

[21] Appl. No.: **37,679**

[22] Filed: **Apr. 18, 1995**

[52] U.S. Cl. **D14/101**; D14/144; D14/130

[58] Field of Search D14/100, 101, D14/106, 113, 102, 115, 118, 124-127, 130, 146, 144; D18/1, 7; 235/145 A, 145 R; 345/104, 156, 168, 173, 901-905, 87; 341/22, 23; 361/679-686; 364/708.1, 709.04, 709.12; 400/486, 489; 379/90, 53, 85; 348/14-20

[56] References Cited

U.S. PATENT DOCUMENTS

D. 287,250	12/1986	Mas et al.	D14/101
D. 309,304	7/1990	Takada et al.	D14/144
D. 321,340	11/1991	Savio	D14/102 X
D. 324,036	2/1992	Wakasa	D14/101
D. 344,513	2/1994	Taniuchi et al.	D14/130 X
D. 351,160	10/1994	Massey et al.	D14/102 X

Primary Examiner—Freda Nunn
Attorney, Agent, or Firm—David J. Larwood

[57] CLAIM

The ornamental design for an integrated office system, as shown and described.

DESCRIPTION

FIG. 1 is a top, front and left side perspective view of an integrated office system showing our new design with the keyboard shown pulled out;

FIG. 2 is a top, right side, rear perspective view of FIG. 1;

FIG. 3 is a front elevational view of FIG. 1;

FIG. 4 is a left side elevational view of FIG. 1, showing the viewing screen tipped back;

FIG. 5 is a rear elevational view of FIG. 1;

FIG. 6 is a right side elevational view of FIG. 1;

FIG. 7 is a top plan view of FIG. 1;

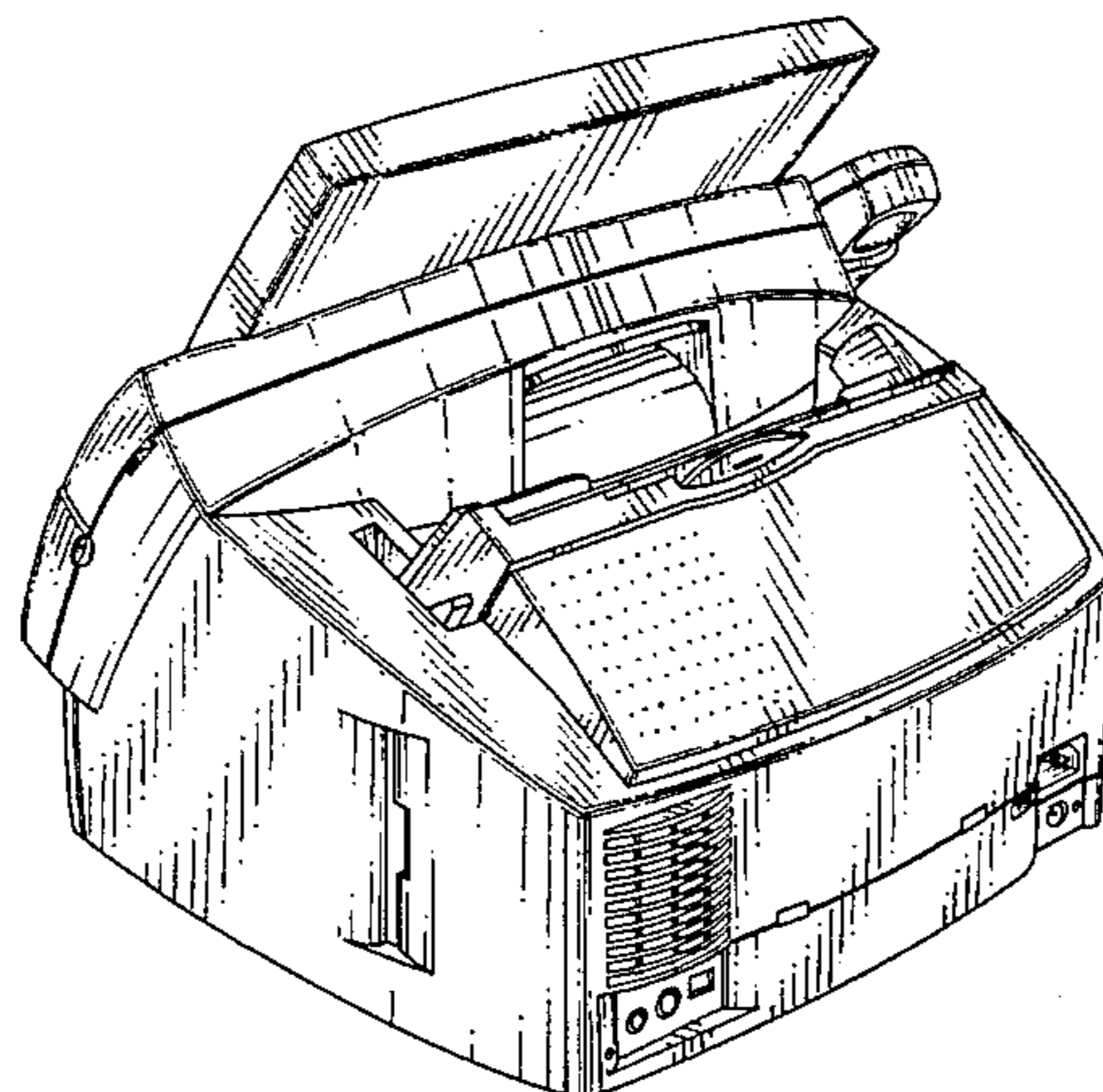
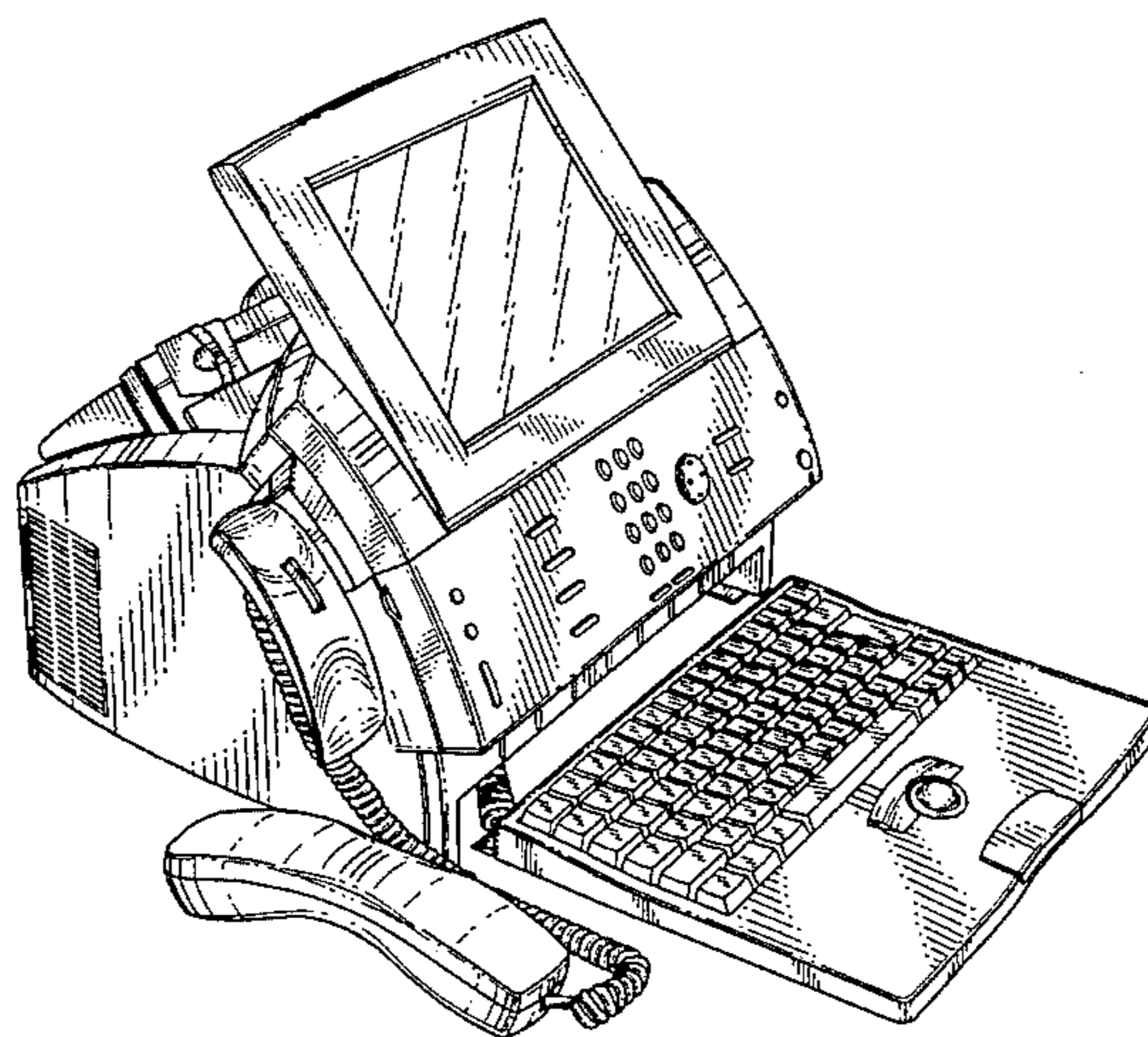
FIG. 8 is a bottom plan view of FIG. 1;

FIG. 9 is a front elevational view of a second embodiment of the integrated office system wherein the only differences are shown in the front left side and rear views.

FIG. 10 is a left side elevational view of FIG. 9, showing the viewing screen tipped forward; and,

FIG. 11 is a rear elevational view of FIG. 9.

1 Claim, 11 Drawing Sheets



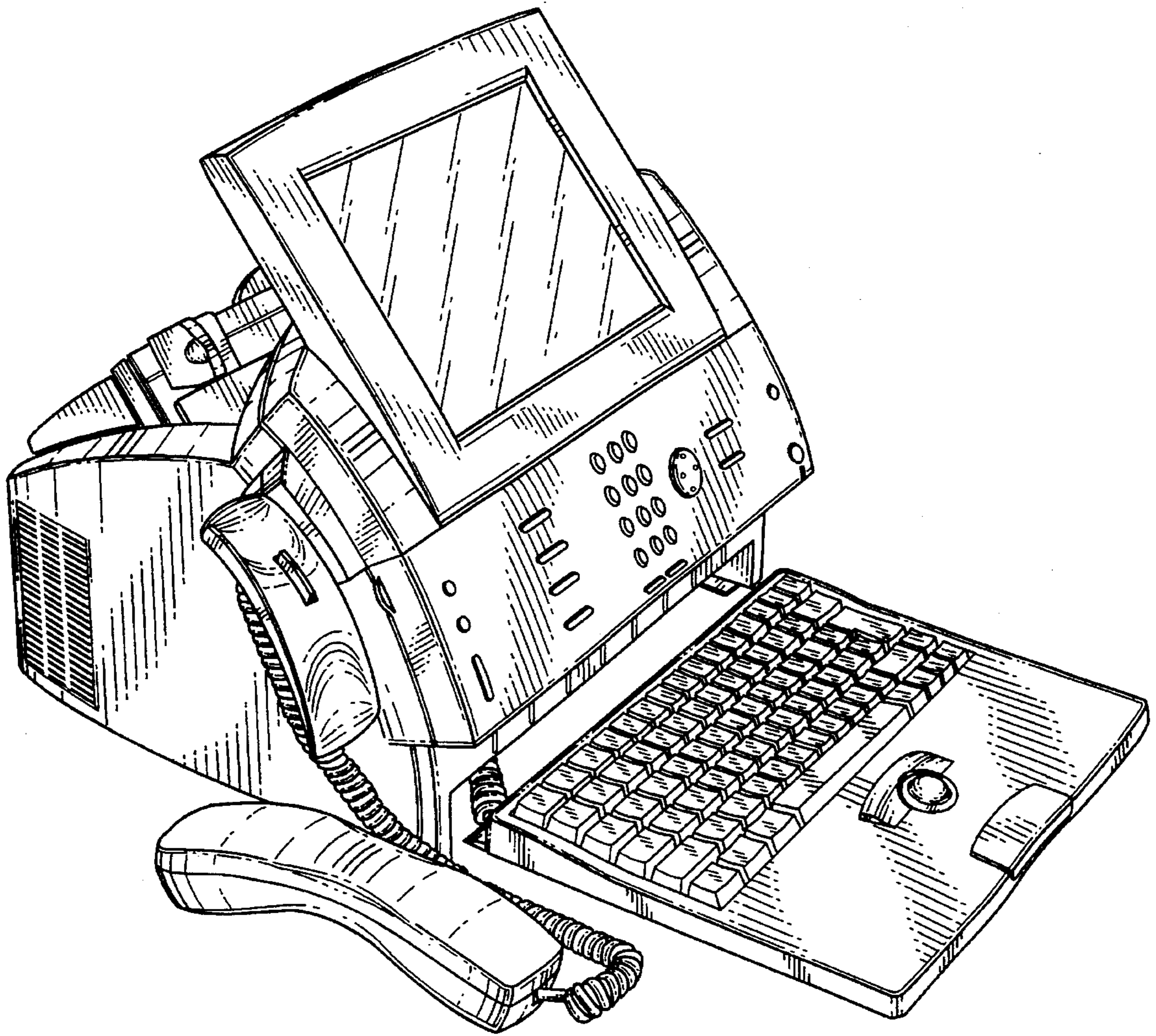


FIG. 1

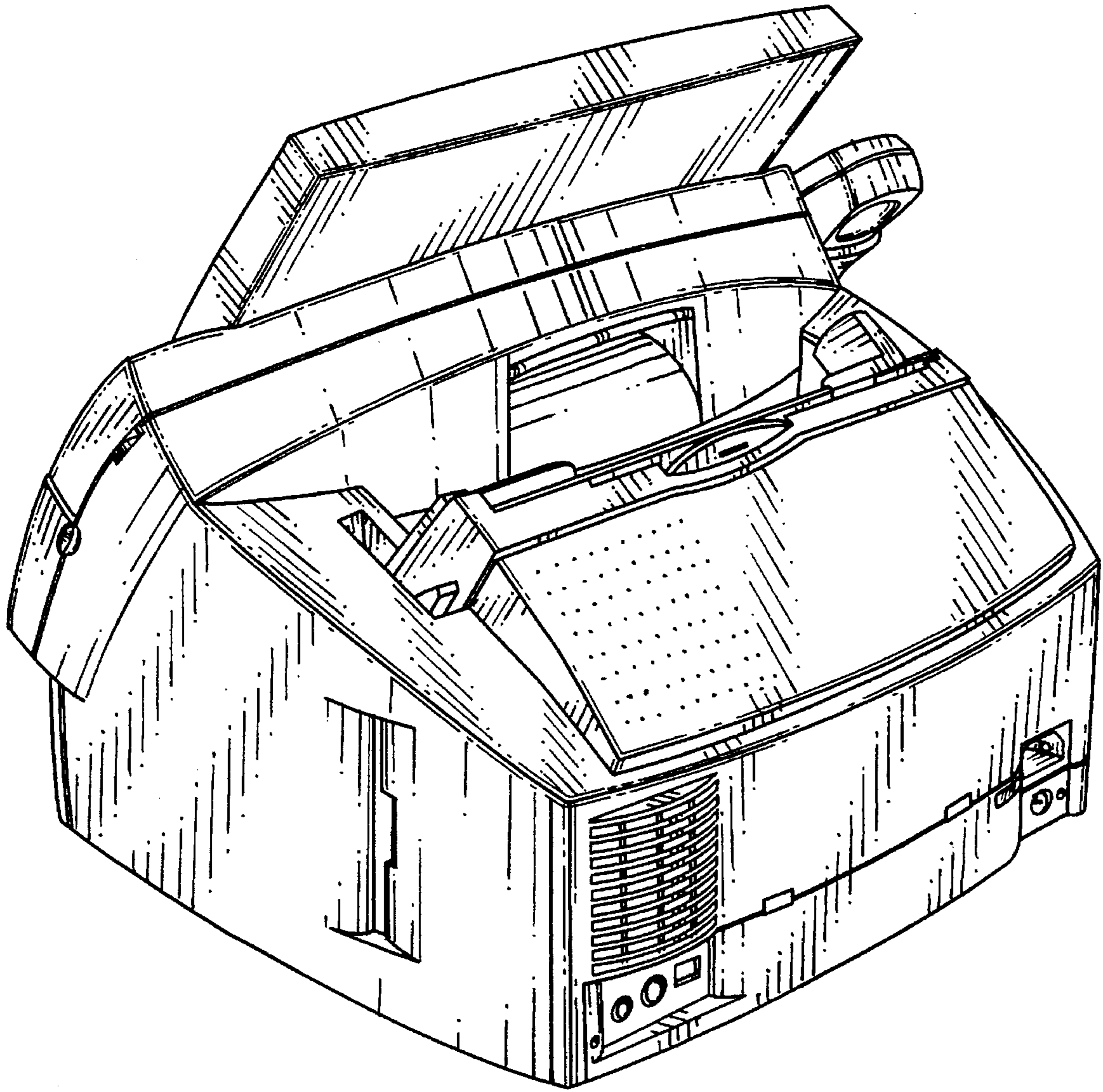


FIG. 2

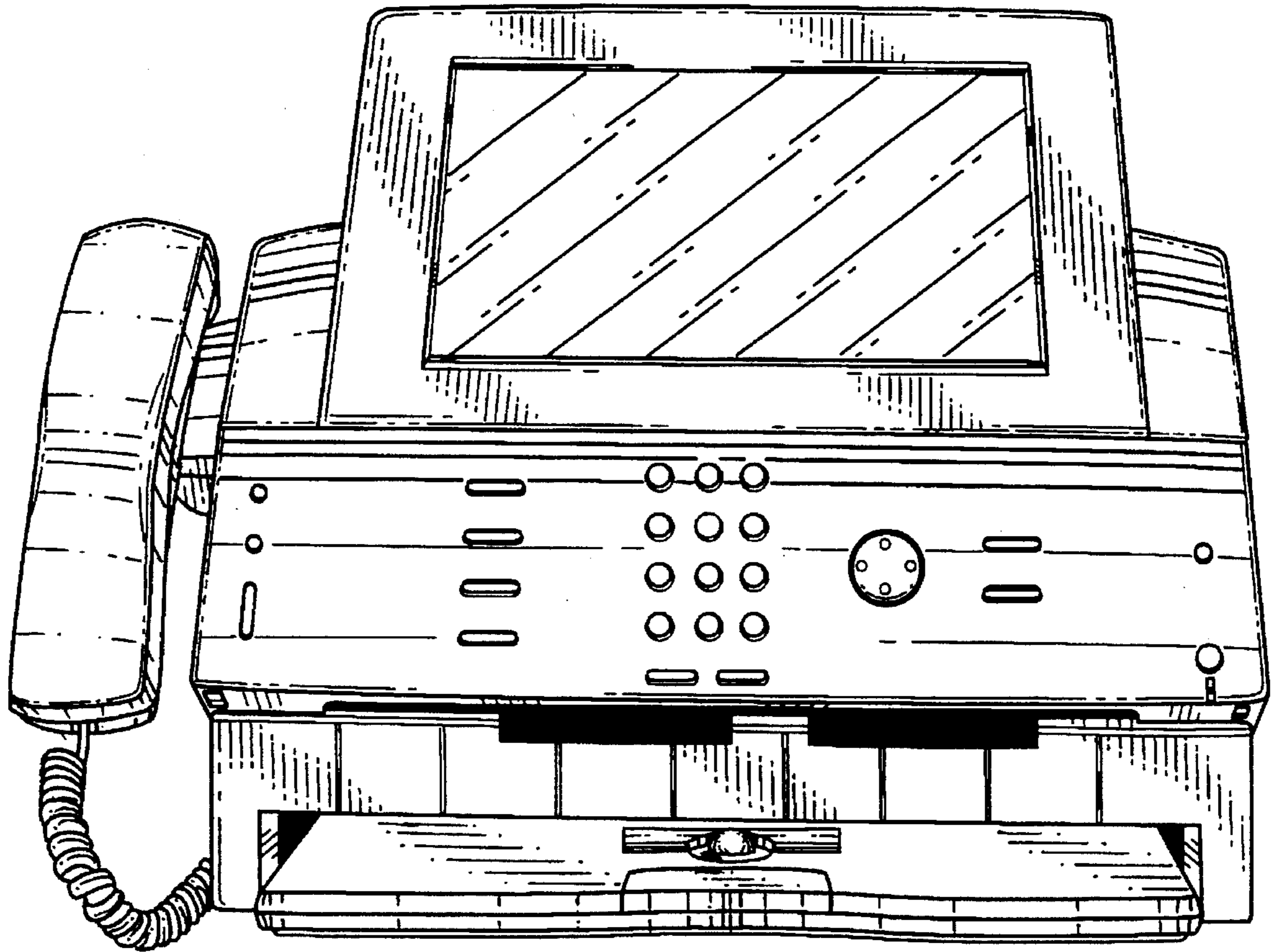


FIG. 3

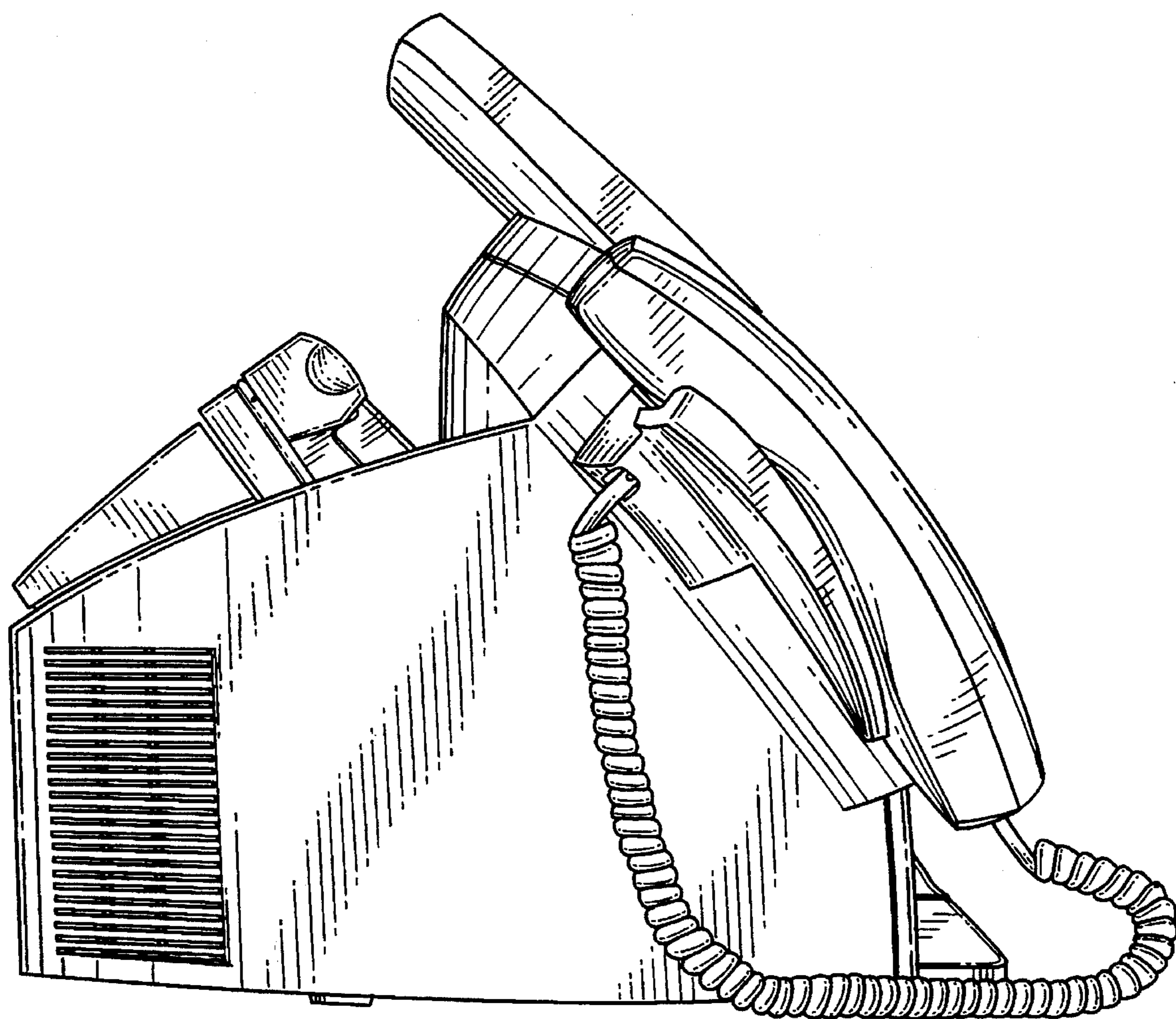


FIG. 4

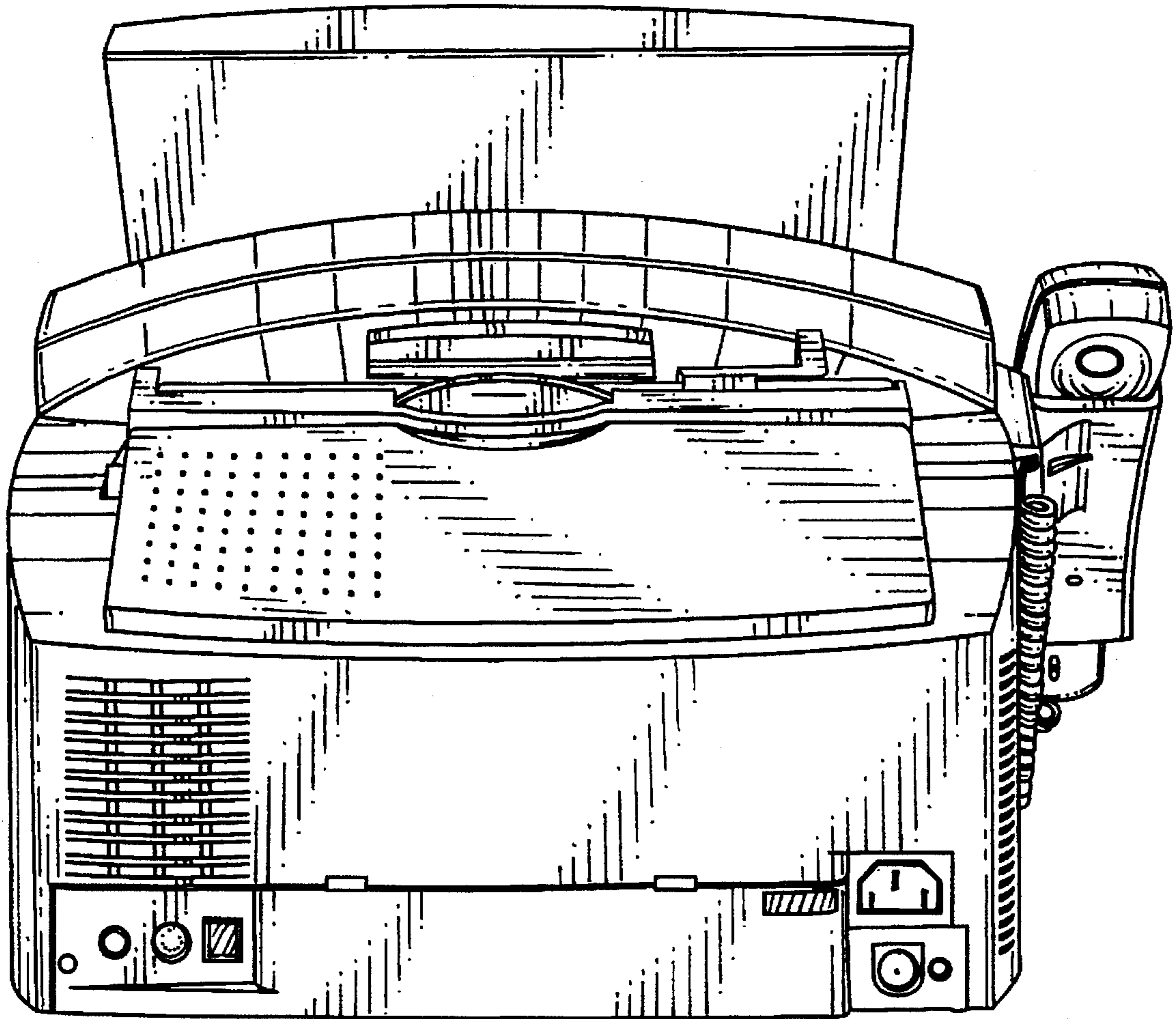


FIG. 5

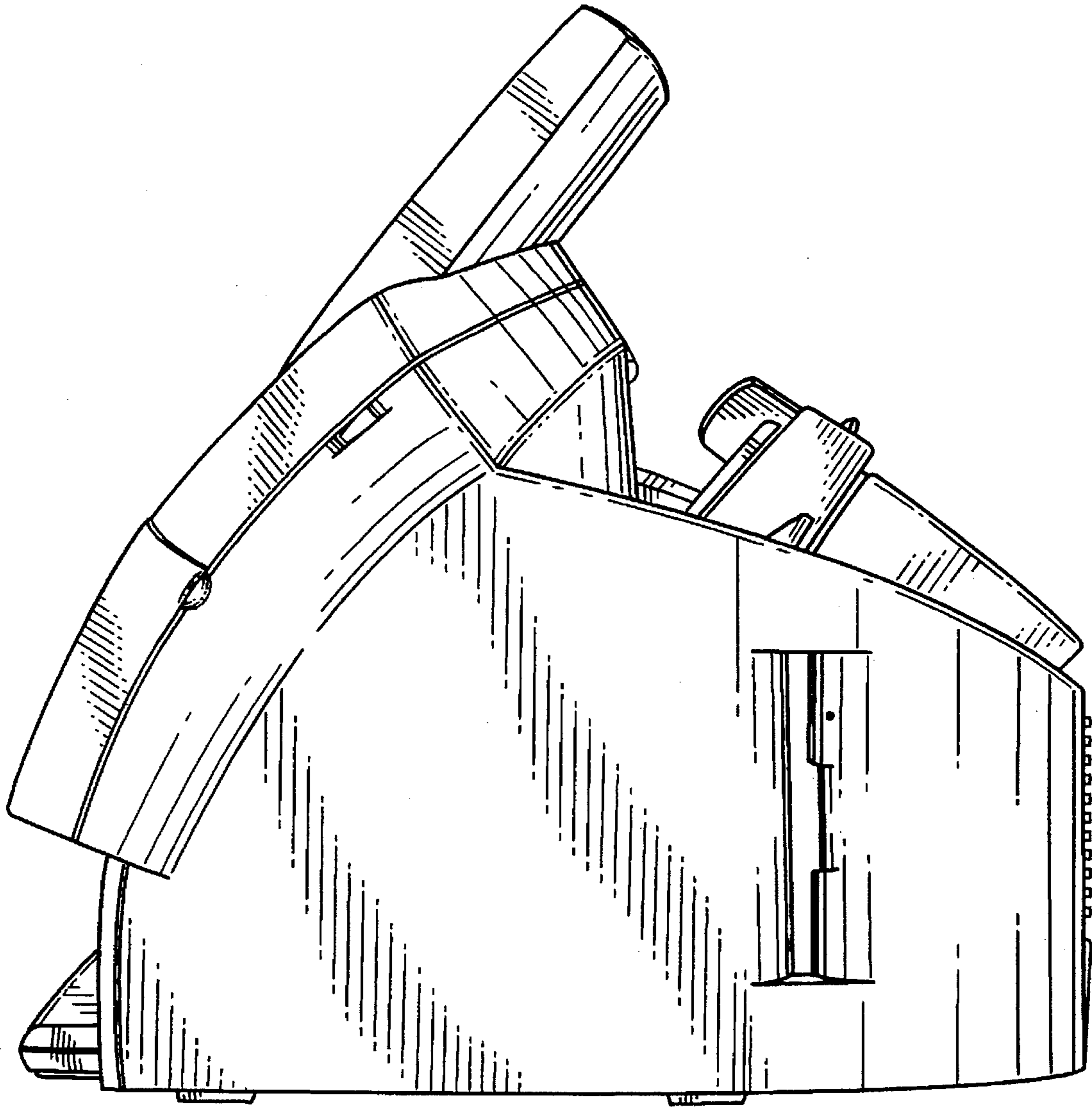


FIG. 6

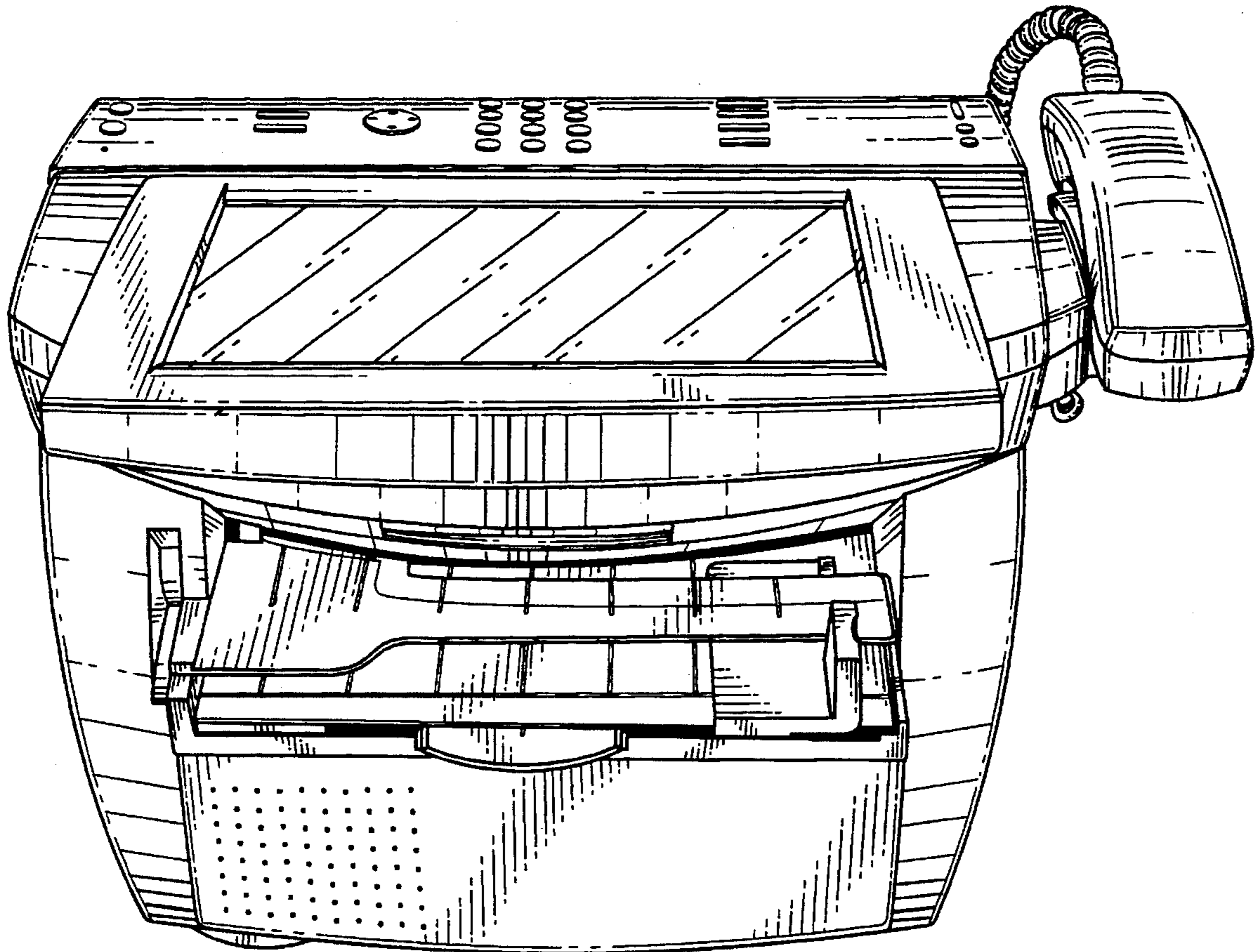


FIG. 7

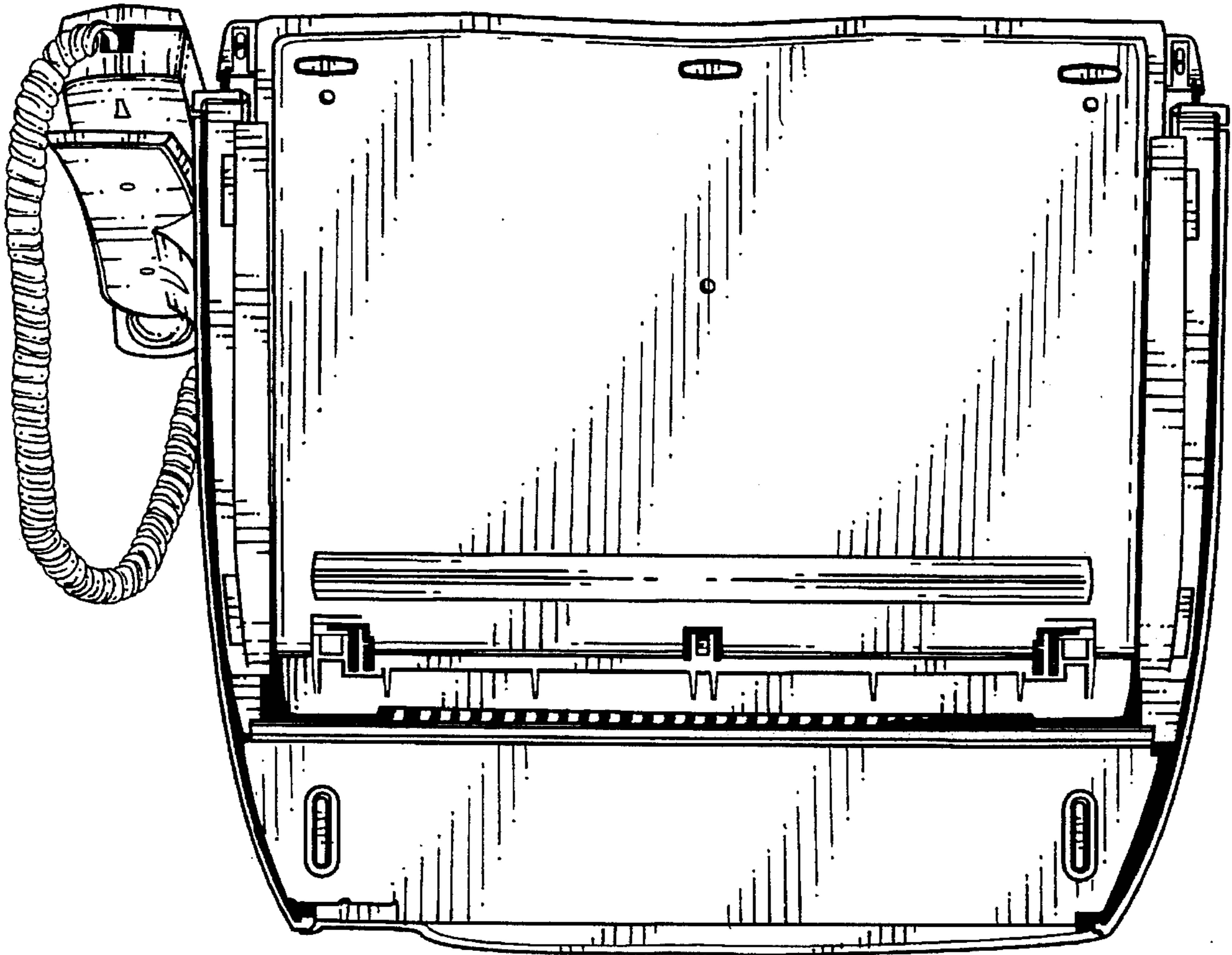


FIG. 8

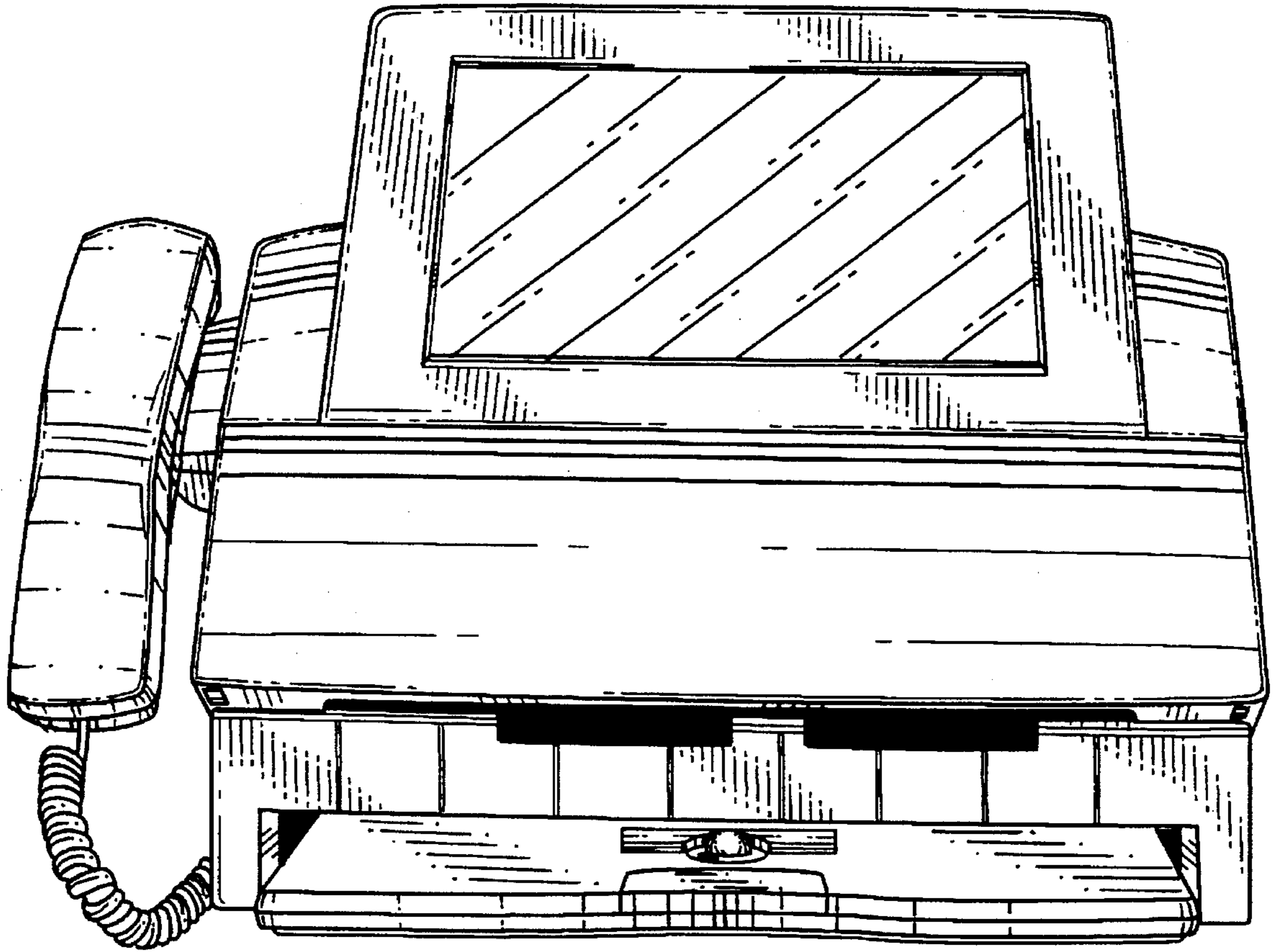


FIG. 9

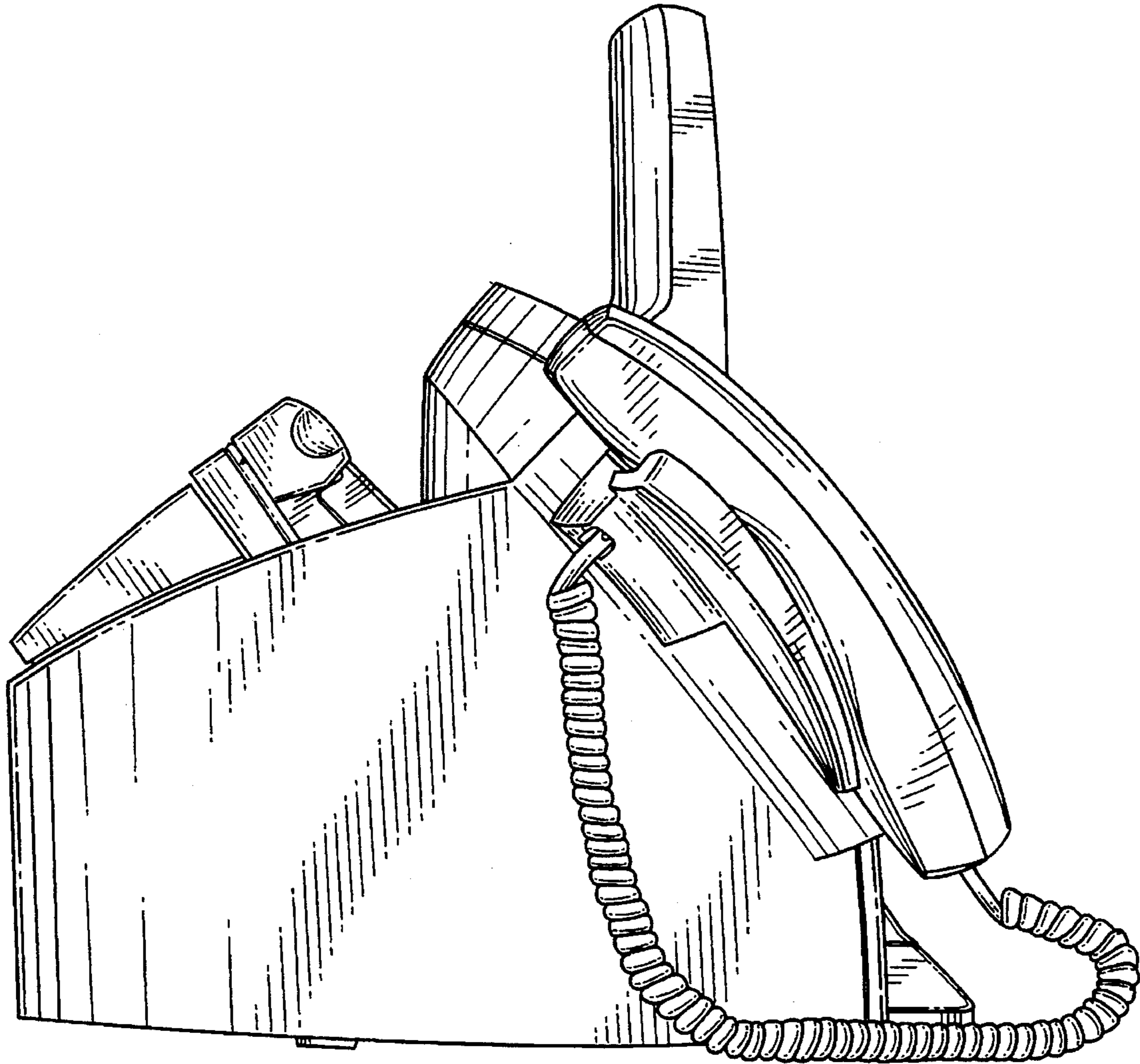


FIG. 10

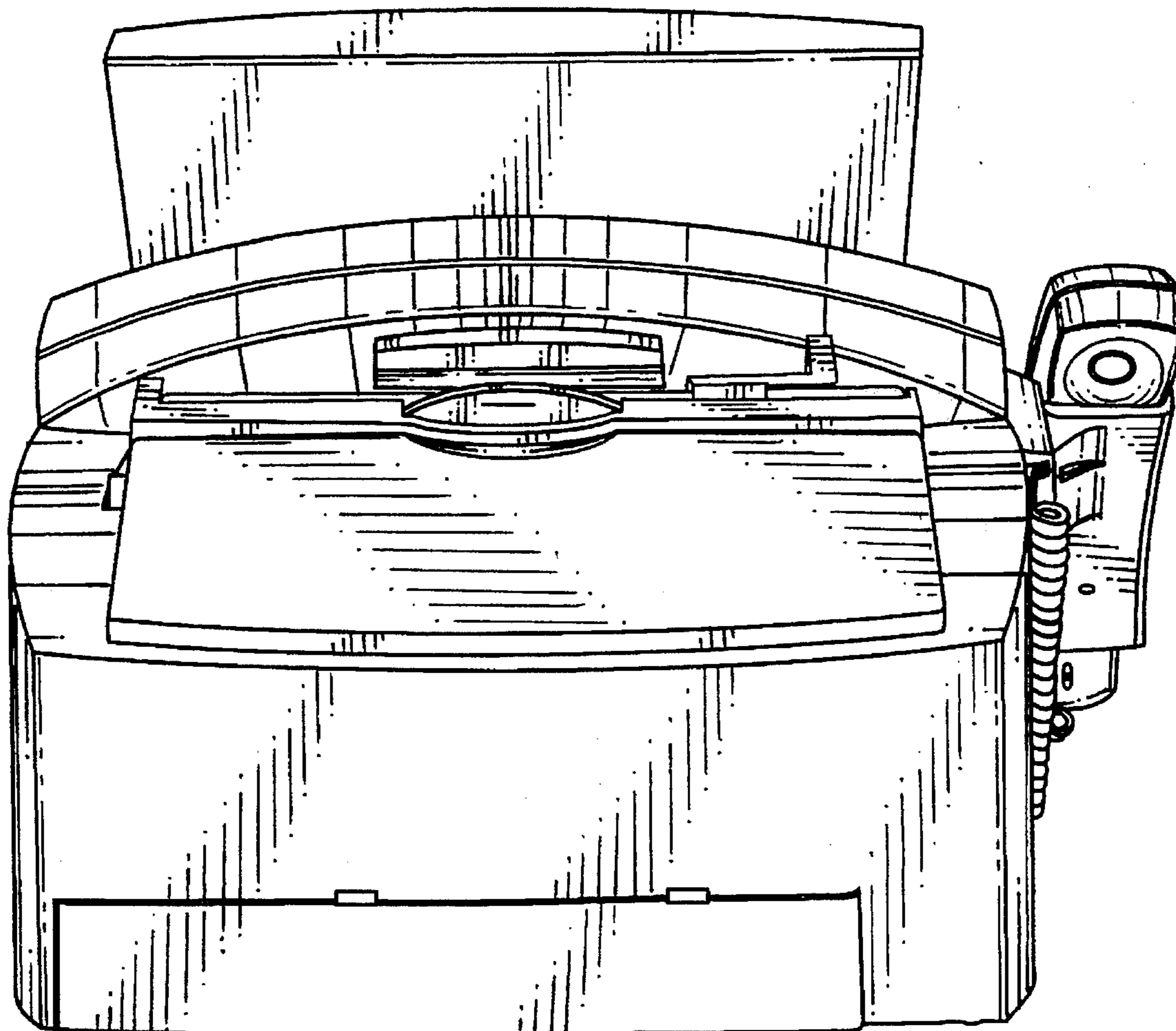


FIG. 11