



US00D368891S

**United States Patent** [19]  
**Te Kun**

[11] **Patent Number: Des. 368,891**  
[45] **Date of Patent: \*\*Apr. 16, 1996**

[54] **BATTERY CHARGER/TRANSFORMER**

[75] Inventor: **Chao Te Kun**, Taipei, Taiwan

[73] Assignee: **Turn World Development Co., Ltd.**,  
Taipei, Taiwan

[\*\*] Term: **14 Years**

[21] Appl. No.: **18,889**

[22] Filed: **Feb. 17, 1994**

[52] U.S. Cl. .... **D13/107; D13/112**

[58] Field of Search ..... **D13/107, 108;**  
**320/2, 3, 4, 15**

[56] **References Cited**

**U.S. PATENT DOCUMENTS**

3,519,914 7/1970 Fujimaki et al. .... 320/2

**FOREIGN PATENT DOCUMENTS**

740033 3/1989 Japan ..... 320/2  
8504056 9/1985 WIPO ..... 320/2

**OTHER PUBLICATIONS**

1984 Japanese patent application 59-340.

*Primary Examiner*—Joel Sincavage

*Attorney, Agent, or Firm*—Finnegan, Henderson, Farabow,  
Garrett & Dummer

[57] **CLAIM**

The ornamental design for a battery charger/transformer, as shown and described.

**DESCRIPTION**

FIG. 1 is a perspective view of a battery charger/transformer embodying showing my new design;

FIG. 2 is a front elevational view thereof;

FIG. 3 is a rear elevational view thereof;

FIG. 4 is a right side elevational view thereof;

FIG. 5 is a left side elevational view thereof;

FIG. 6 is a top plan view thereof;

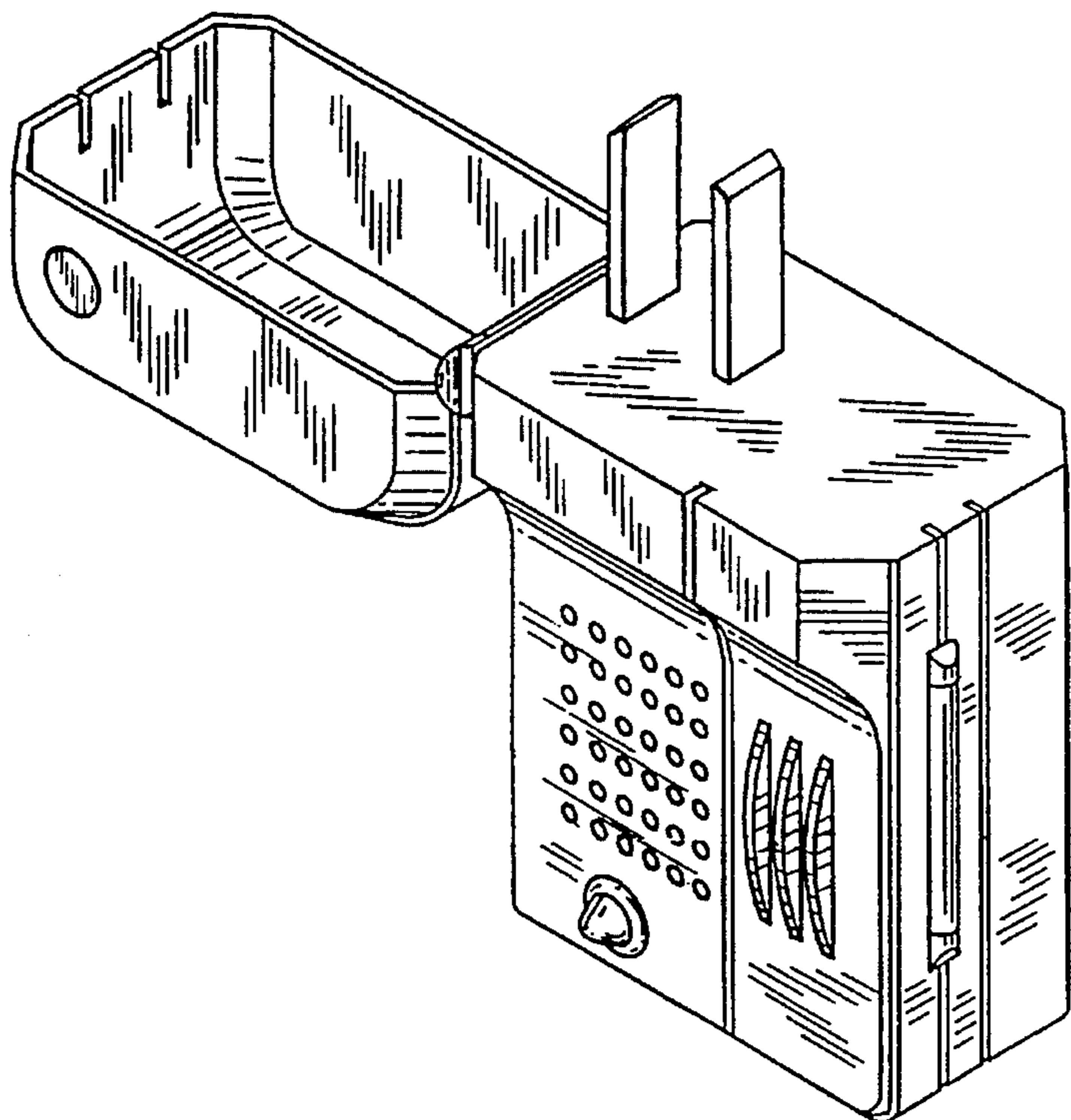
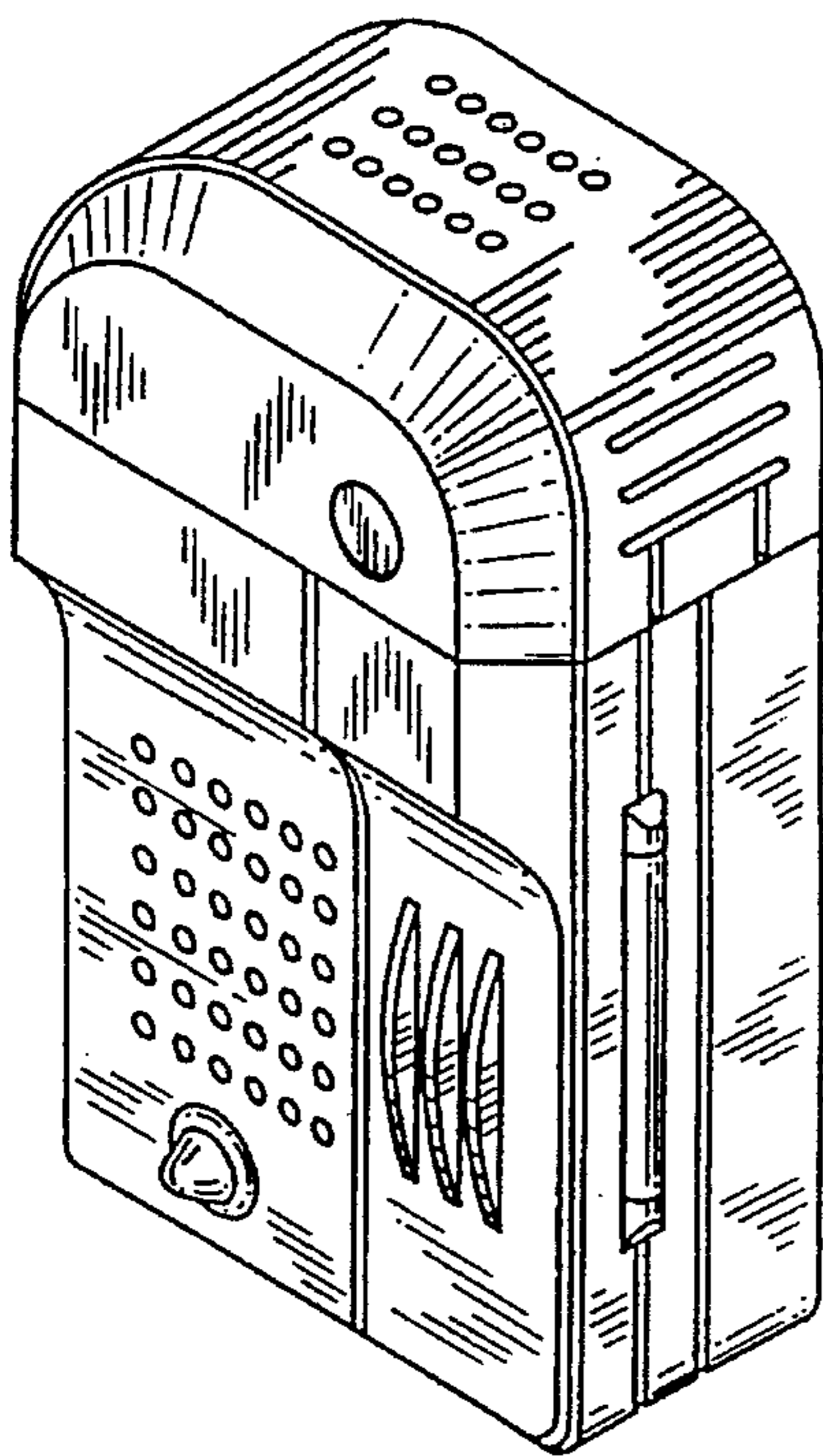
FIG. 7 is a bottom plan view thereof;

FIG. 8 is a front elevational view of the battery charger/transformer shown in the open position;

FIG. 9 is a rear elevational view thereof; and

FIG. 10 is a perspective view thereof.

**1 Claim, 7 Drawing Sheets**



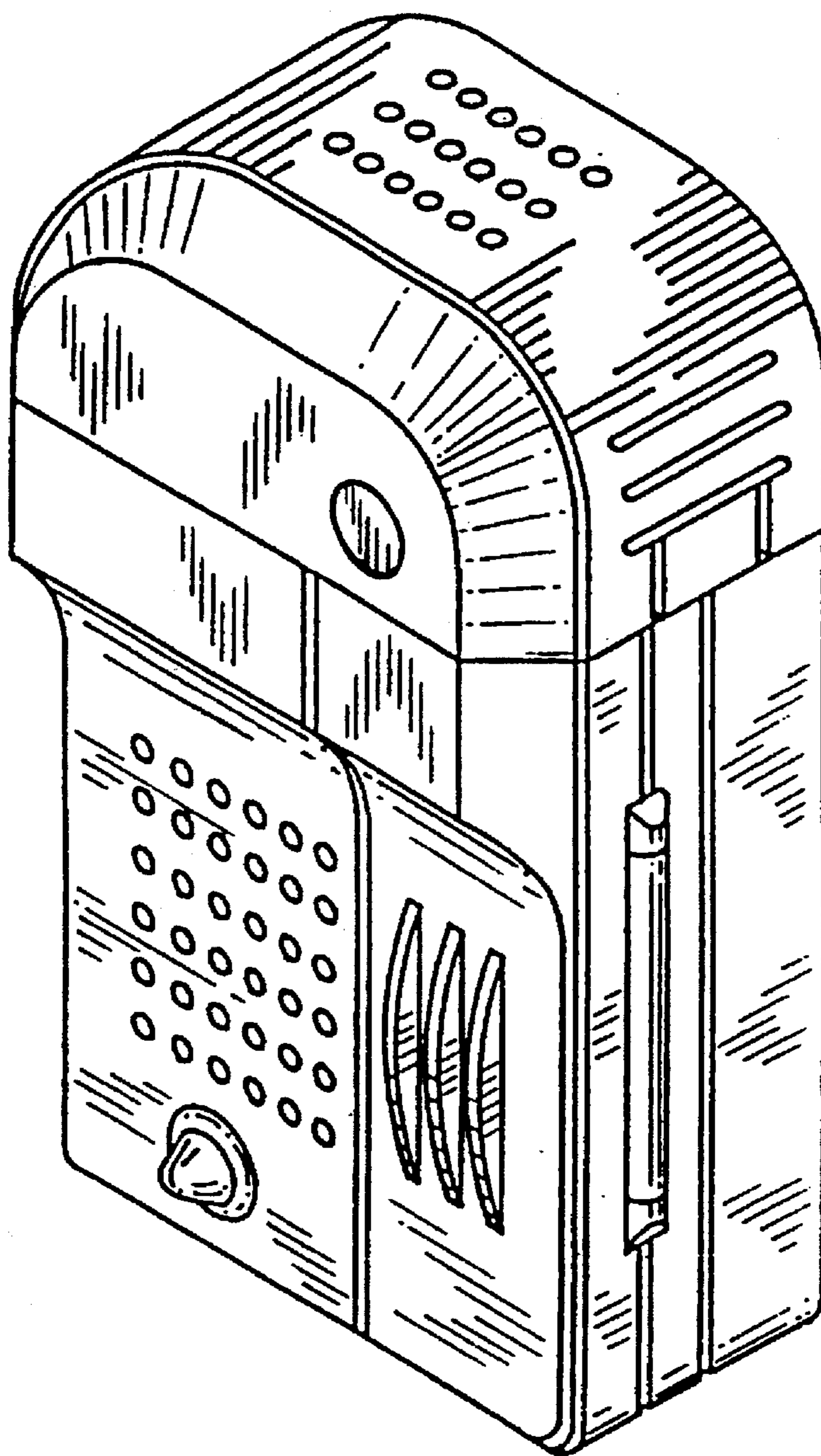


FIG. 1

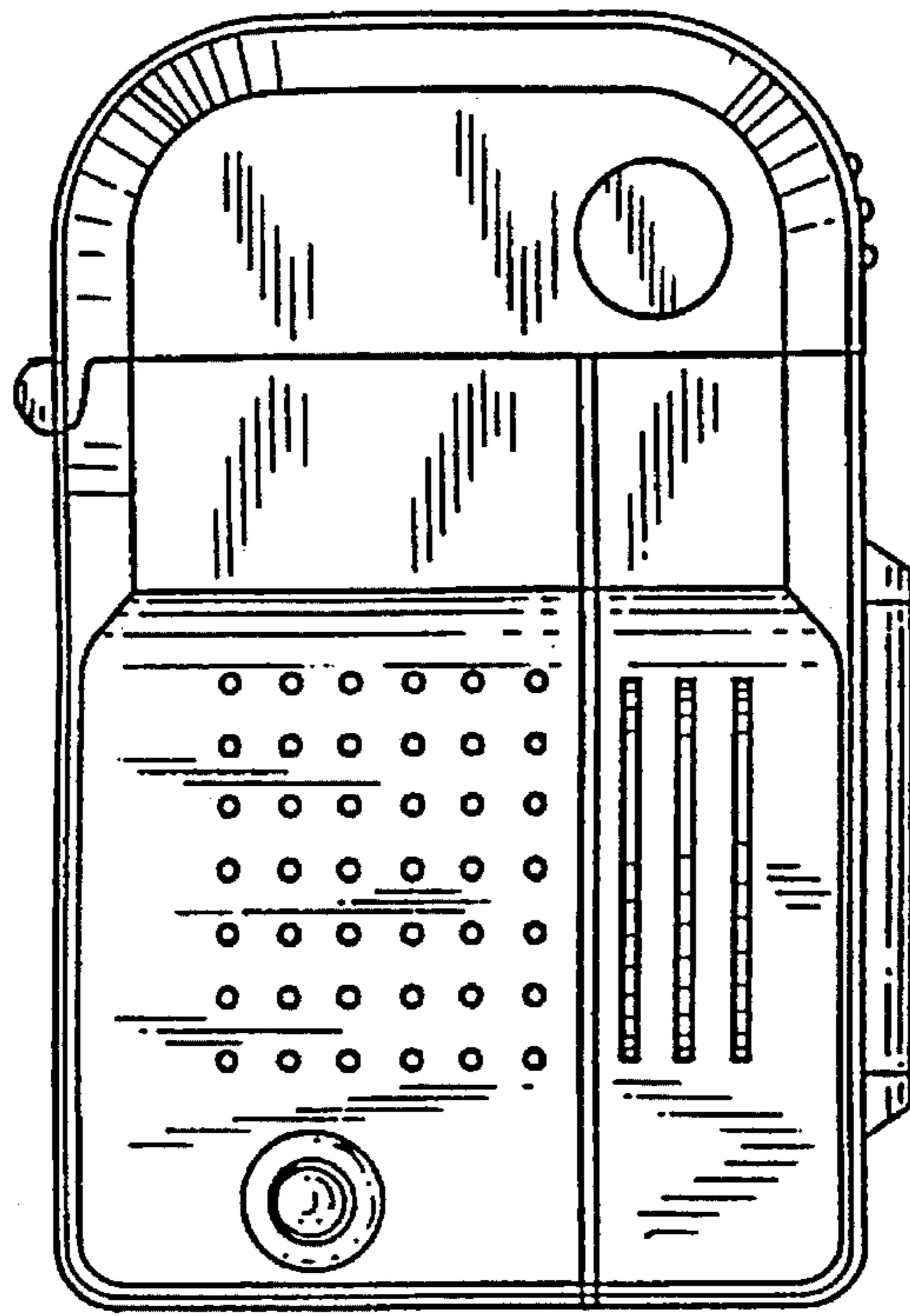


FIG. 2

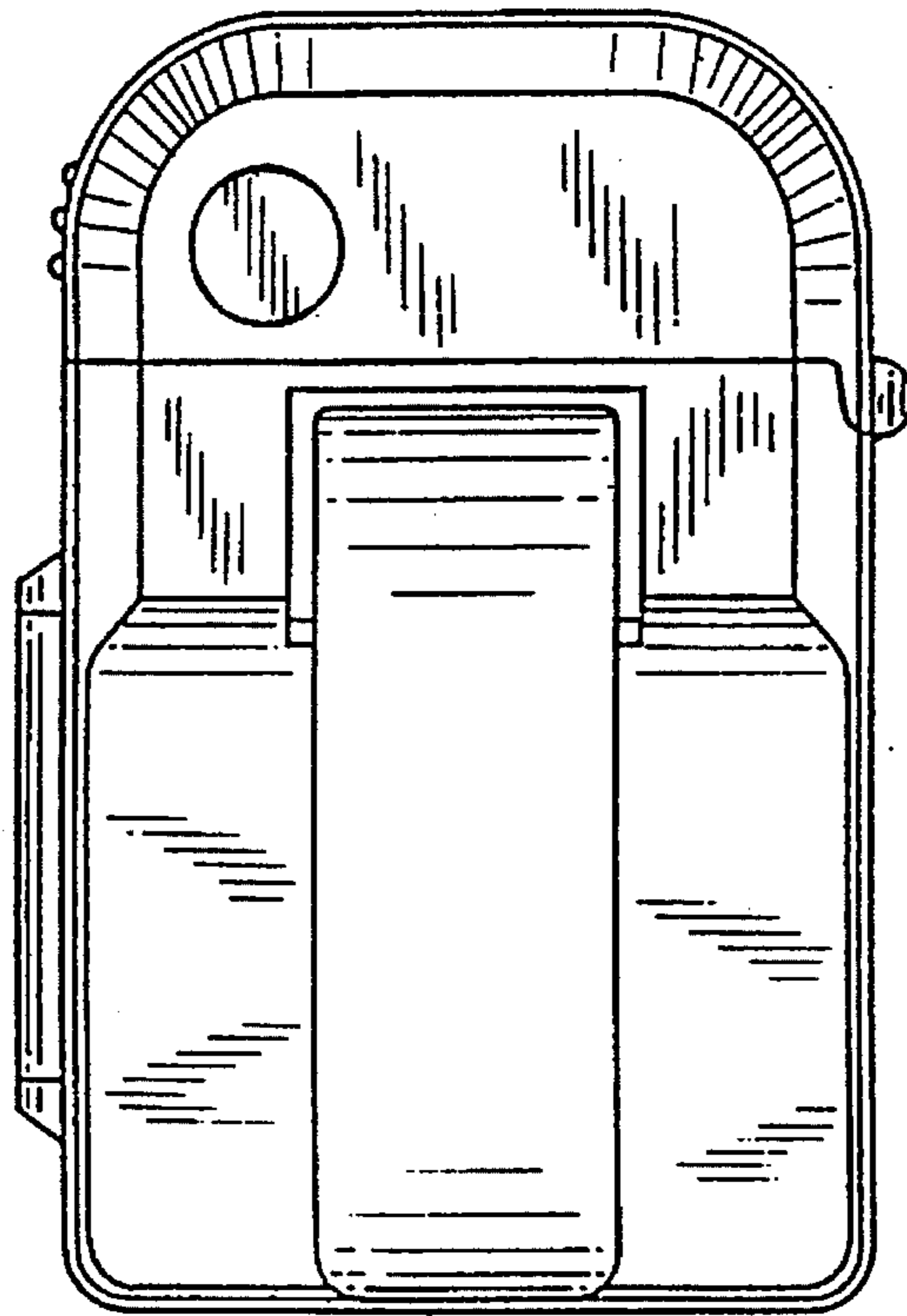


FIG. 3

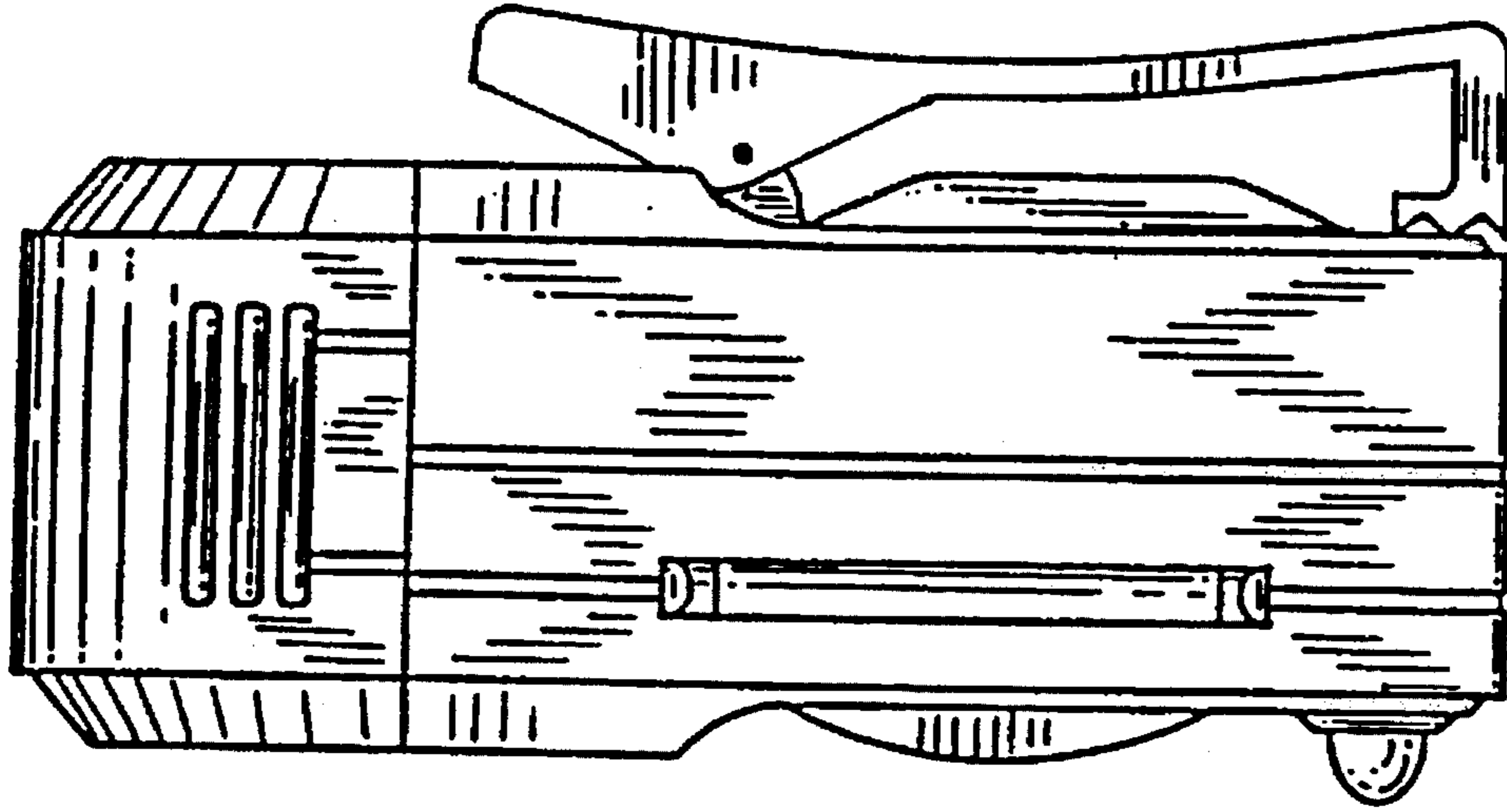


FIG. 4

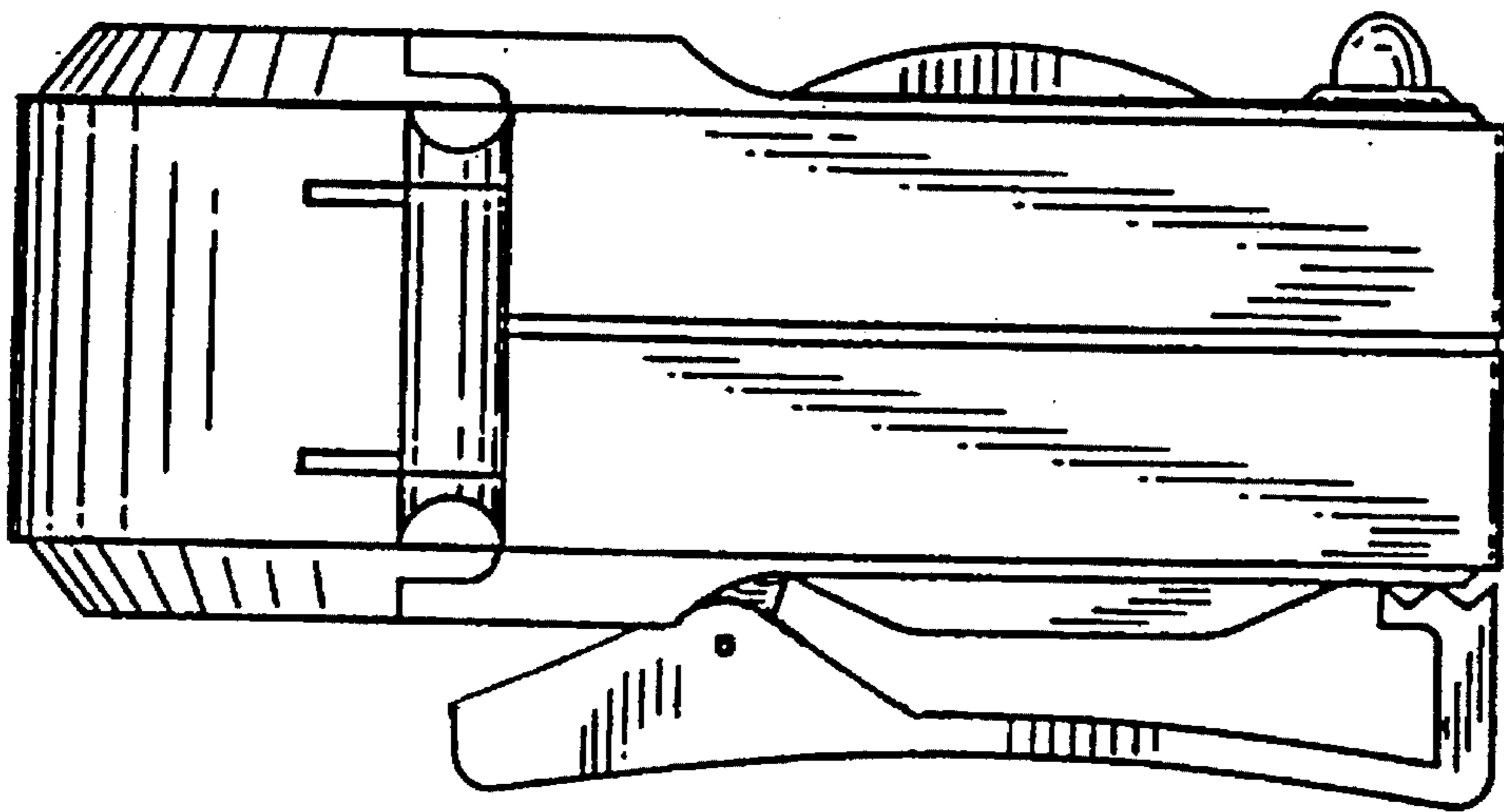
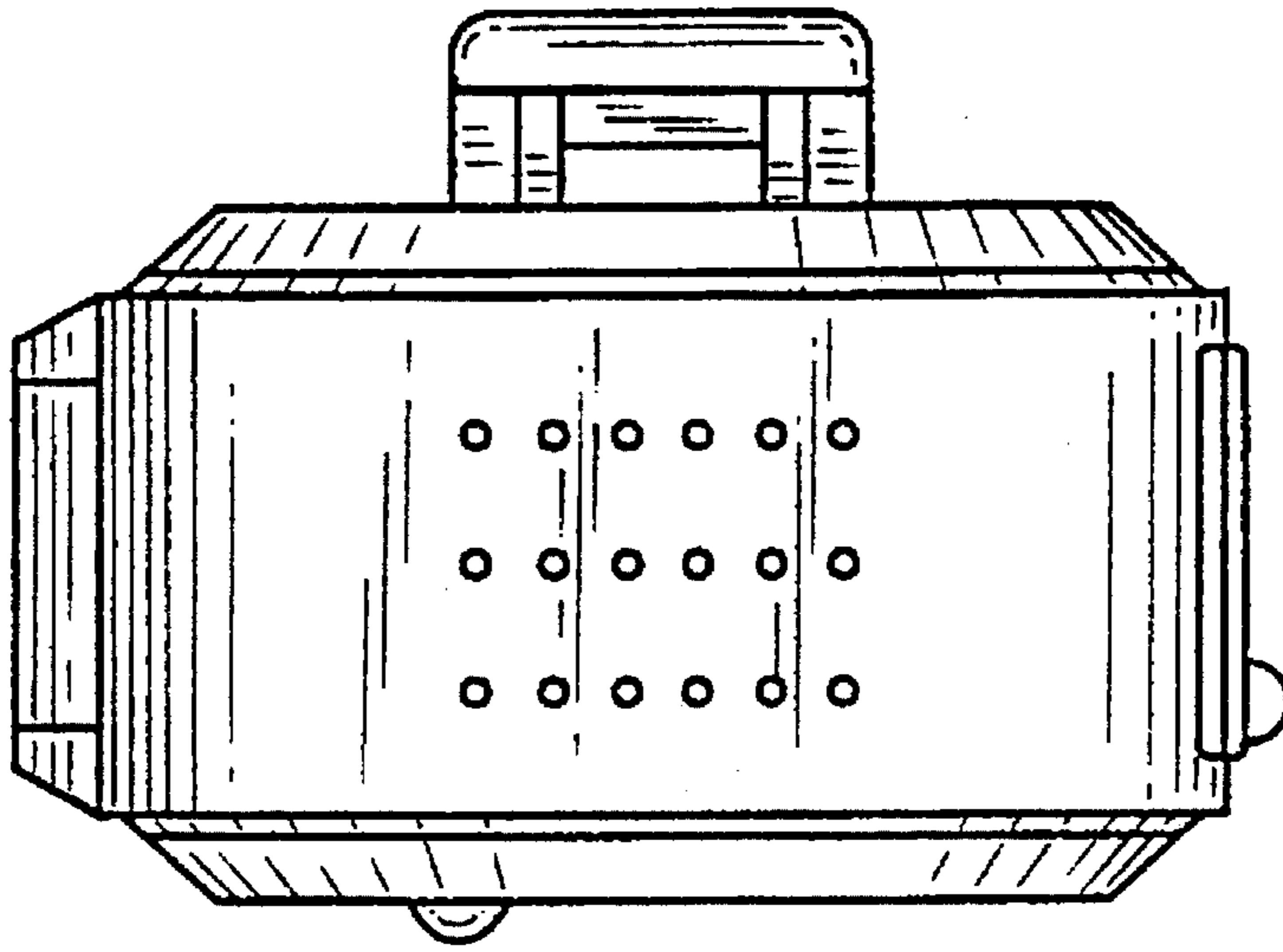
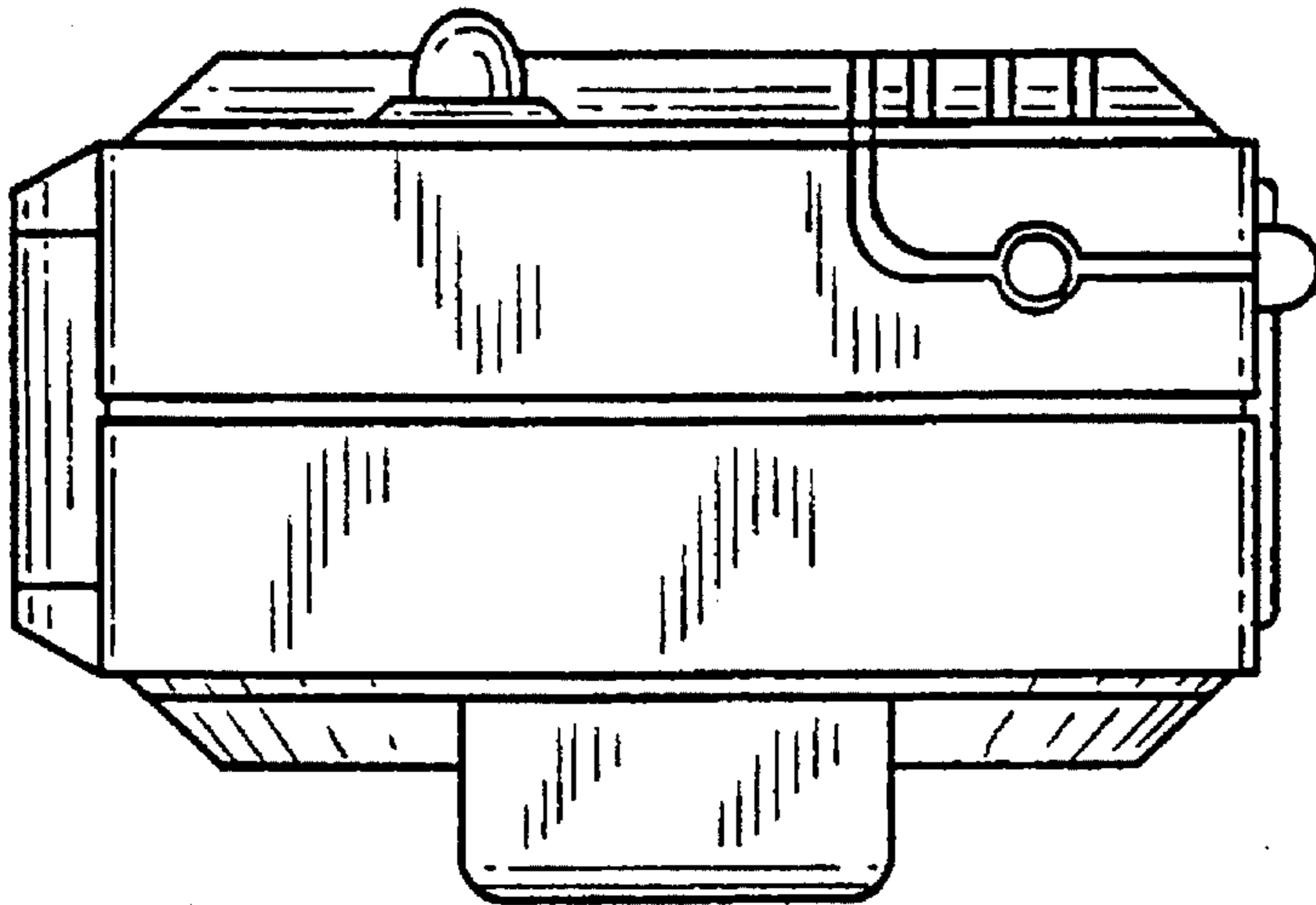


FIG. 5





*FIG. 6*



*FIG. 7*

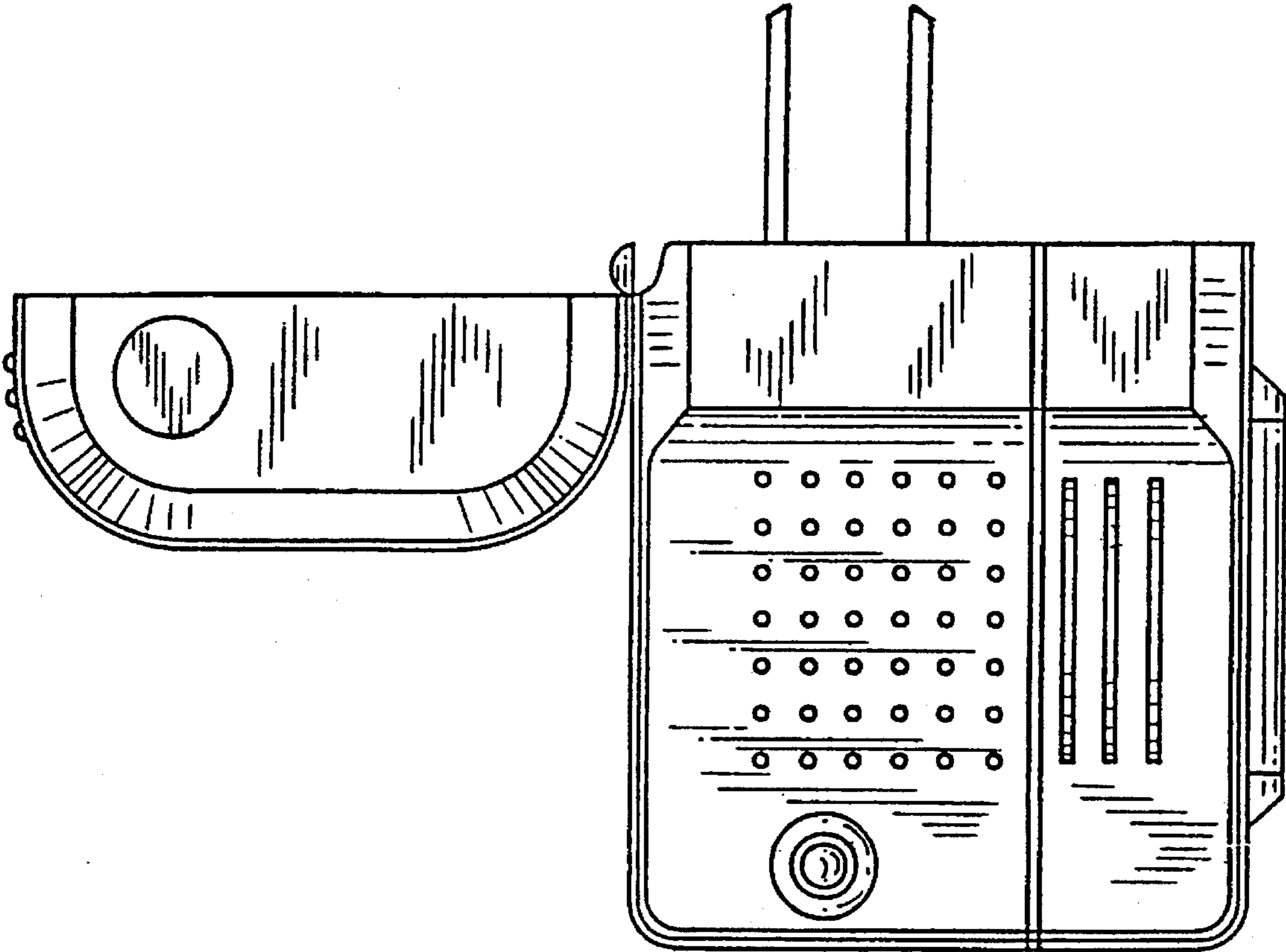


FIG. 8

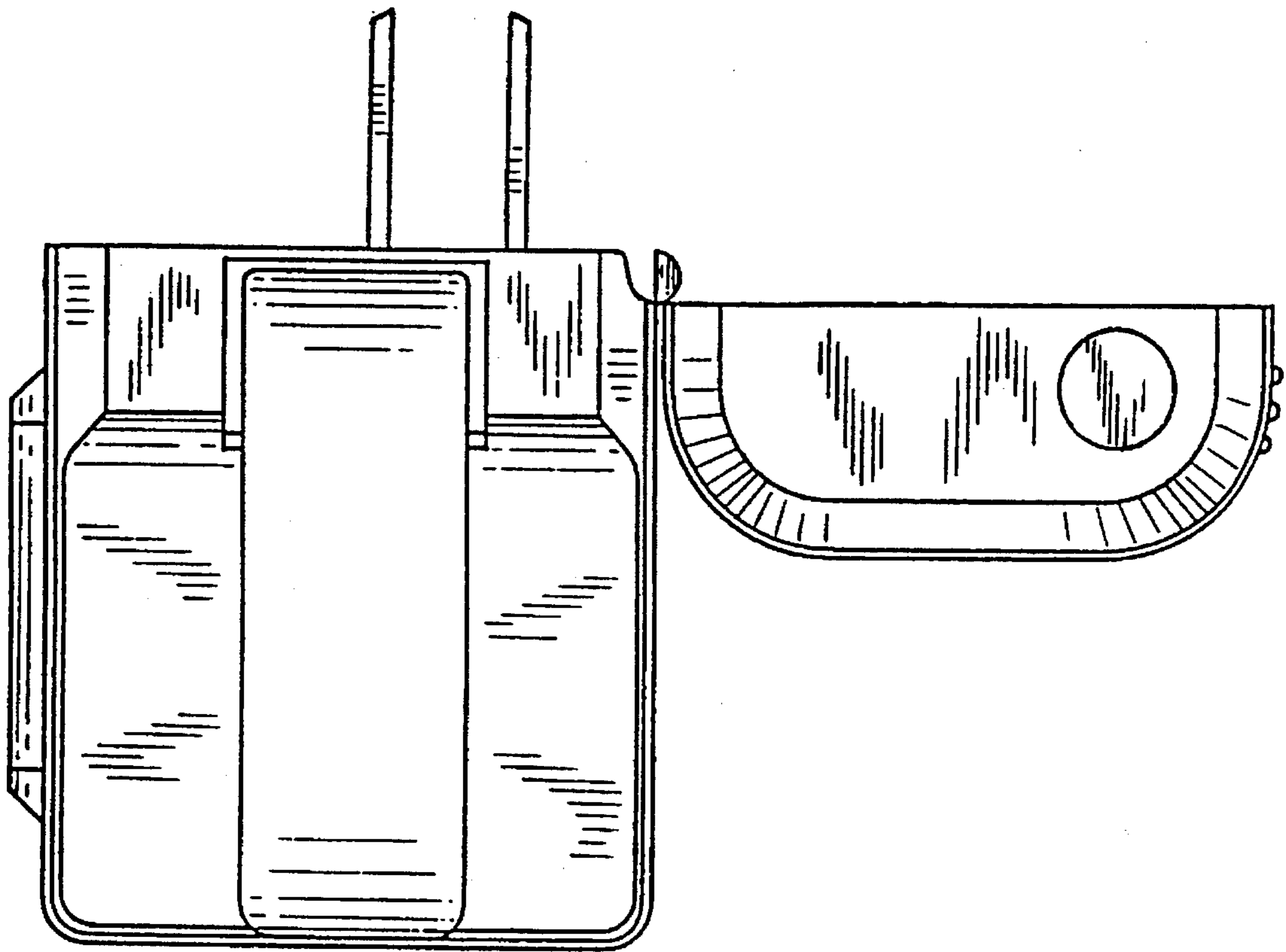


FIG. 9

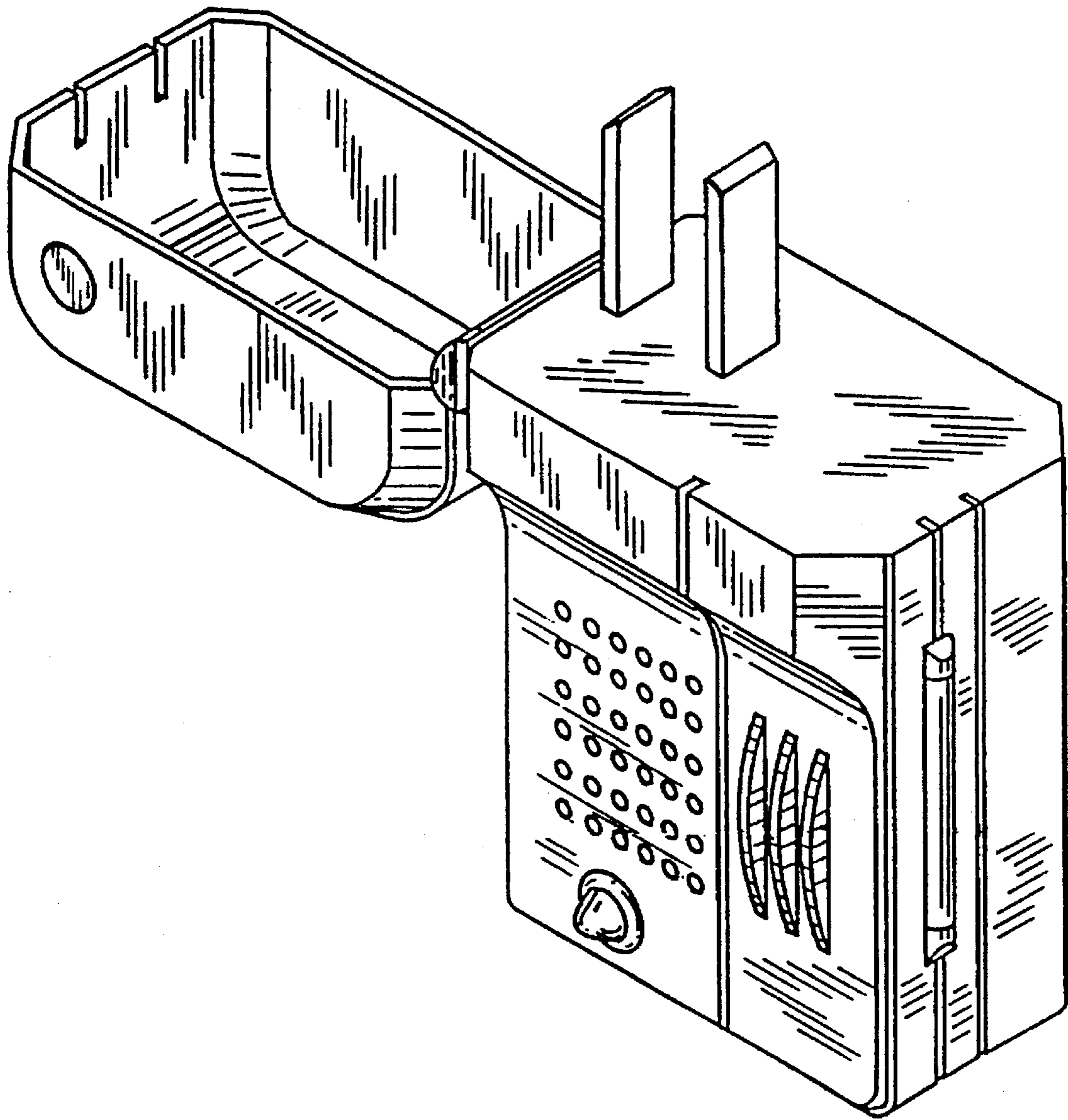


FIG. 10