



US00D368890S

United States Patent [19]

Morris

[11] Patent Number: **Des. 368,890**

[45] Date of Patent: ****Apr. 16, 1996**

[54] **VEHICLE CONSOLE**

[75] Inventor: **Hyden B. Morris**, Columbiana, Ala.

[73] Assignee: **Southern Development Utility Fleet Services, Inc.**, Saginaw, Ala.

[**] Term: **14 Years**

[21] Appl. No.: **35,099**

[22] Filed: **Feb. 21, 1995**

[52] U.S. Cl. **D12/419**; D12/424

[58] **Field of Search** D12/416, 419, D12/423; 224/273, 275, 539, 540, 566, 926, 928; 108/144; 248/650; 296/37.1, 37.6, 37.8

[56] **References Cited**

U.S. PATENT DOCUMENTS

D. 313,962	1/1991	Haag et al.	D12/423
D. 317,674	6/1991	Smith	D12/419
D. 323,313	1/1992	Li	D12/419
D. 346,066	4/1994	Smith	D12/419

D. 359,266	6/1995	Karp et al.	D12/419
2,934,391	4/1960	Bohrett	D12/423
4,796,791	1/1989	Goss et al.	224/275

Primary Examiner—A. Hugo Word
Assistant Examiner—M. Brown
Attorney, Agent, or Firm—Veal & Marsh

[57] **CLAIM**

The ornamental design for a vehicle console, as shown and described.

DESCRIPTION

FIG. 1 is a top and front perspective view of a vehicle console showing my new design;
FIG. 2 is a side elevational view thereof;
FIG. 3 is a side elevational view of the side opposite that shown in FIG. 2;
FIG. 4 is a front elevational view thereof;
FIG. 5 is a rear elevational view thereof;
FIG. 6 is a top plan view thereof; and,
FIG. 7 is a bottom view thereof.

1 Claim, 7 Drawing Sheets

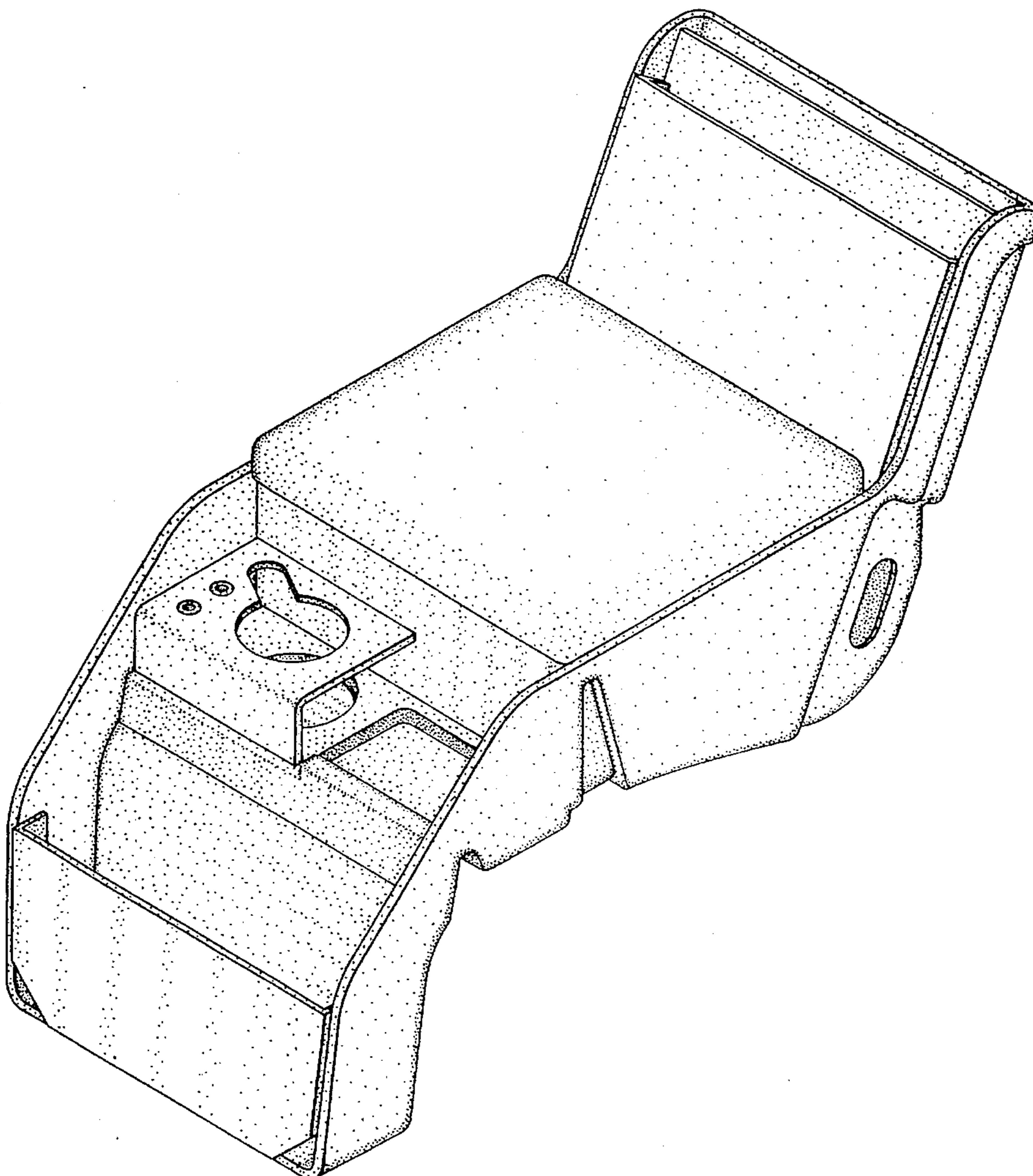
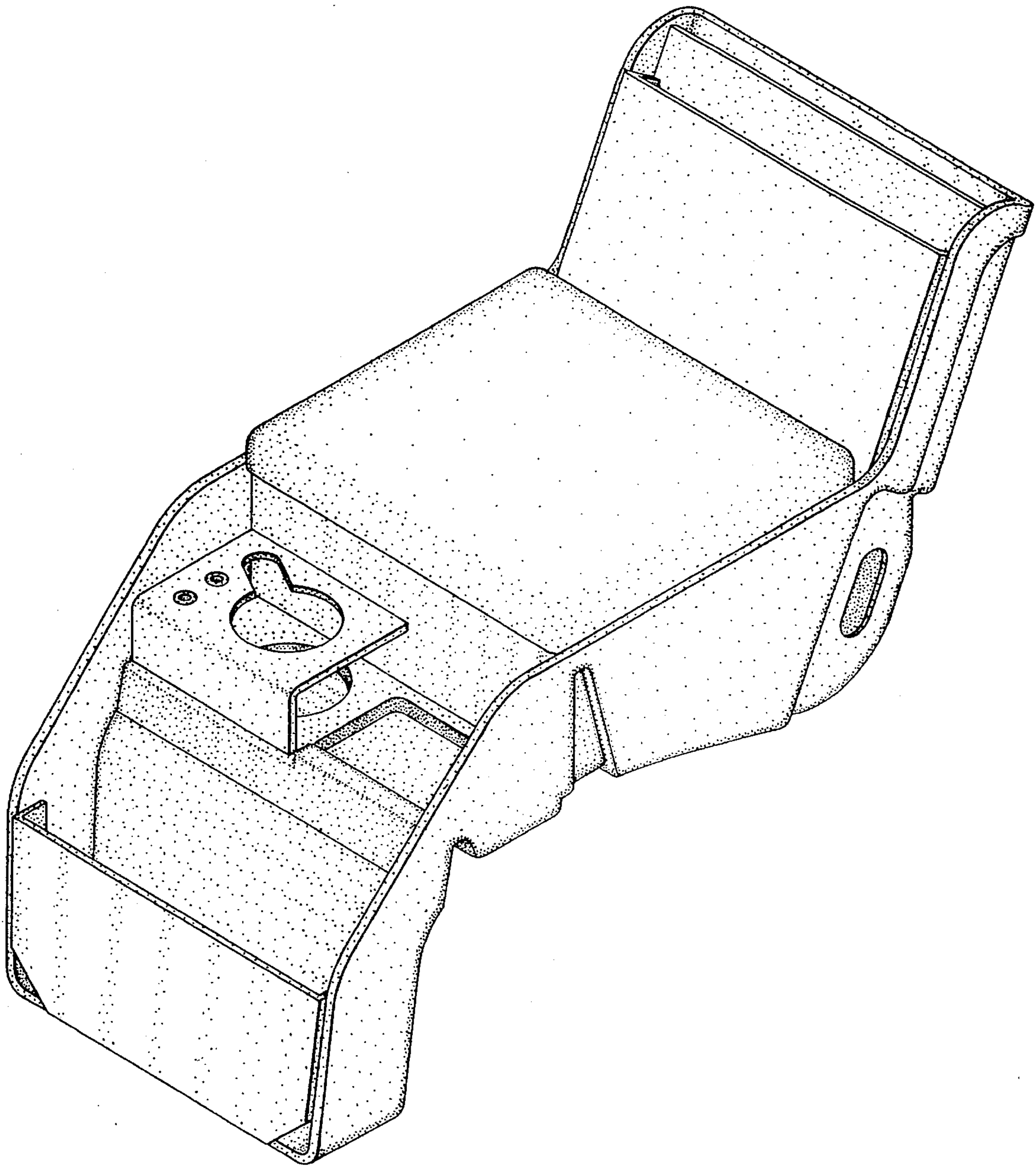


FIG. 1



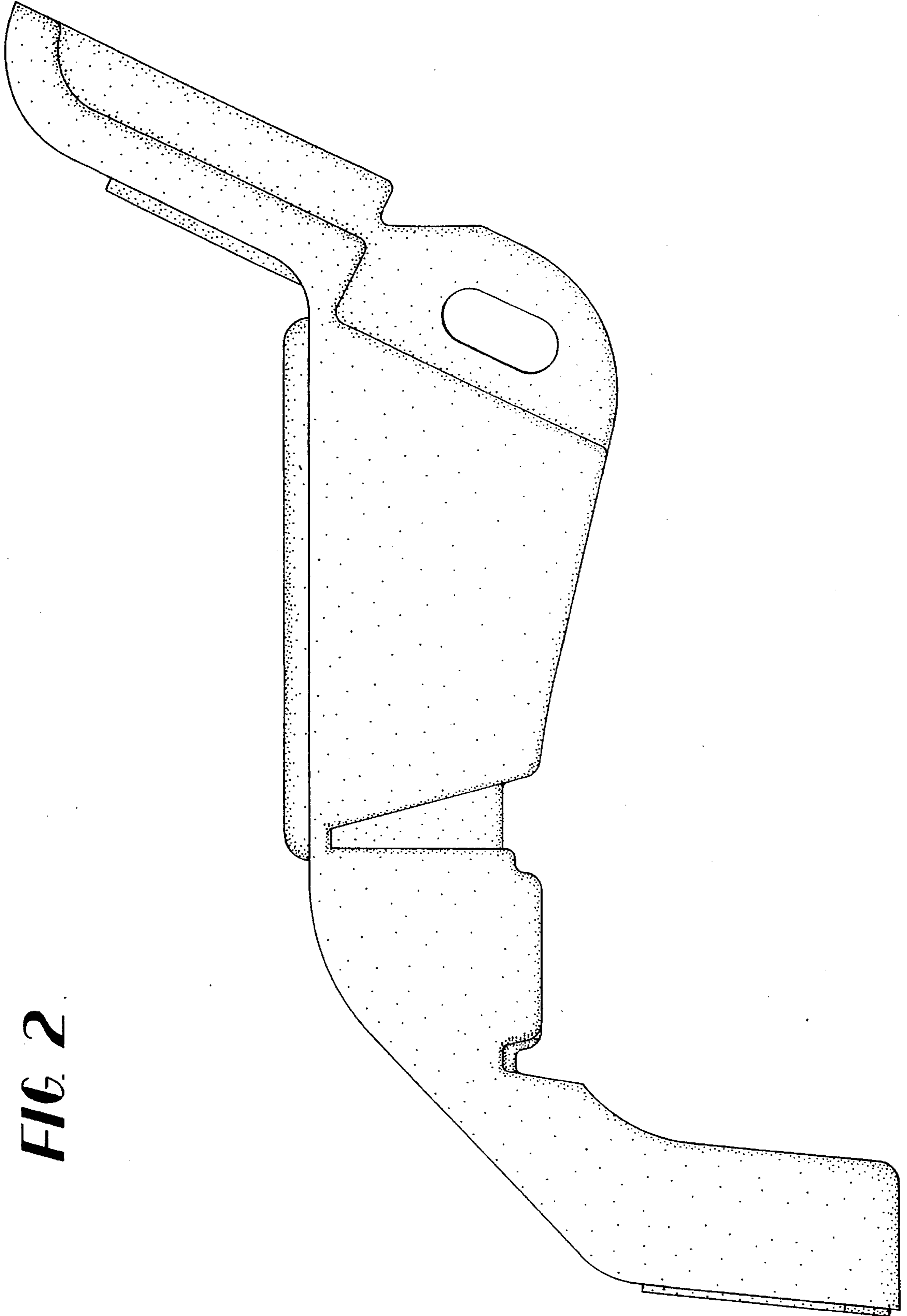


FIG. 2

FIG. 3

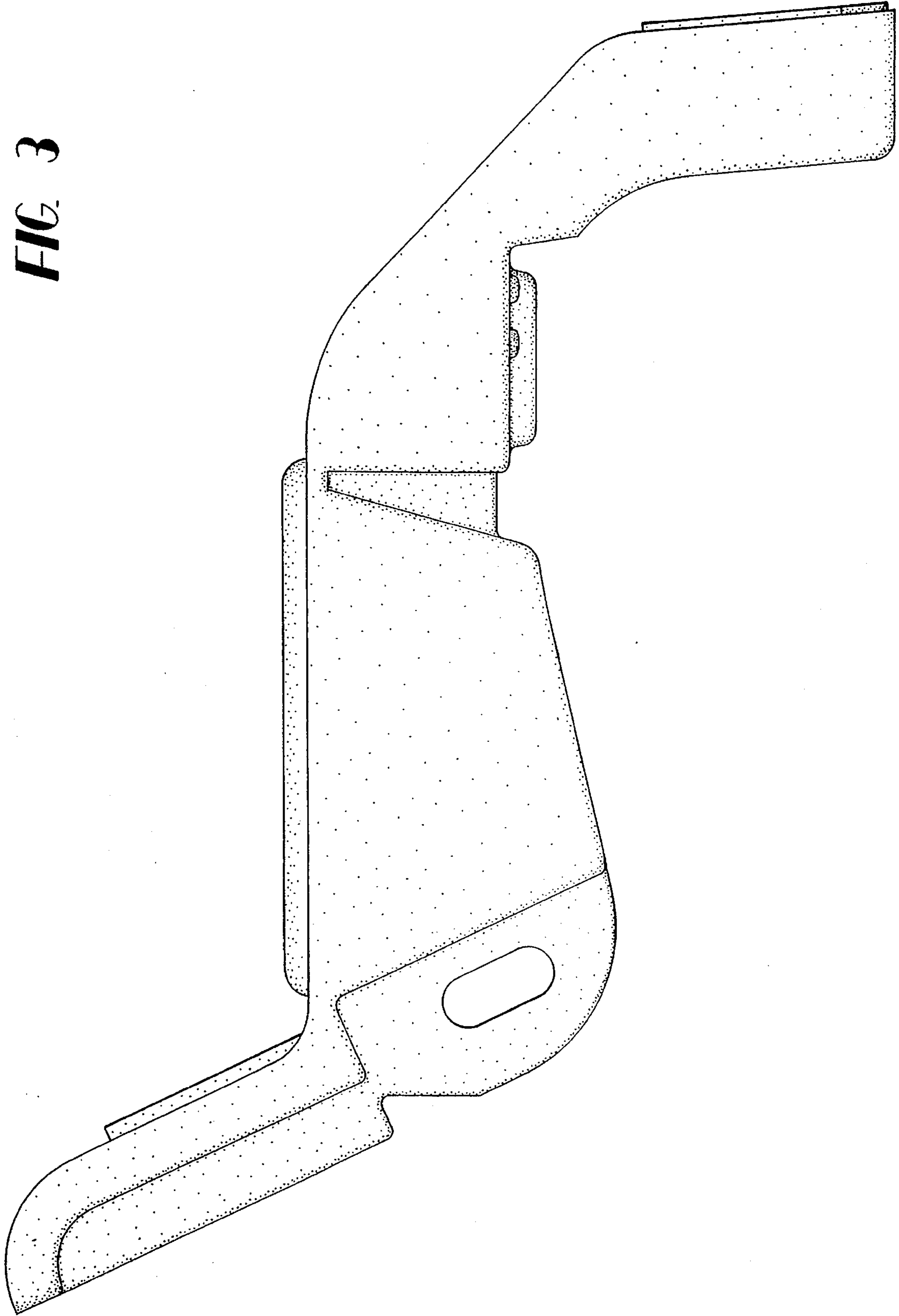


FIG. 4

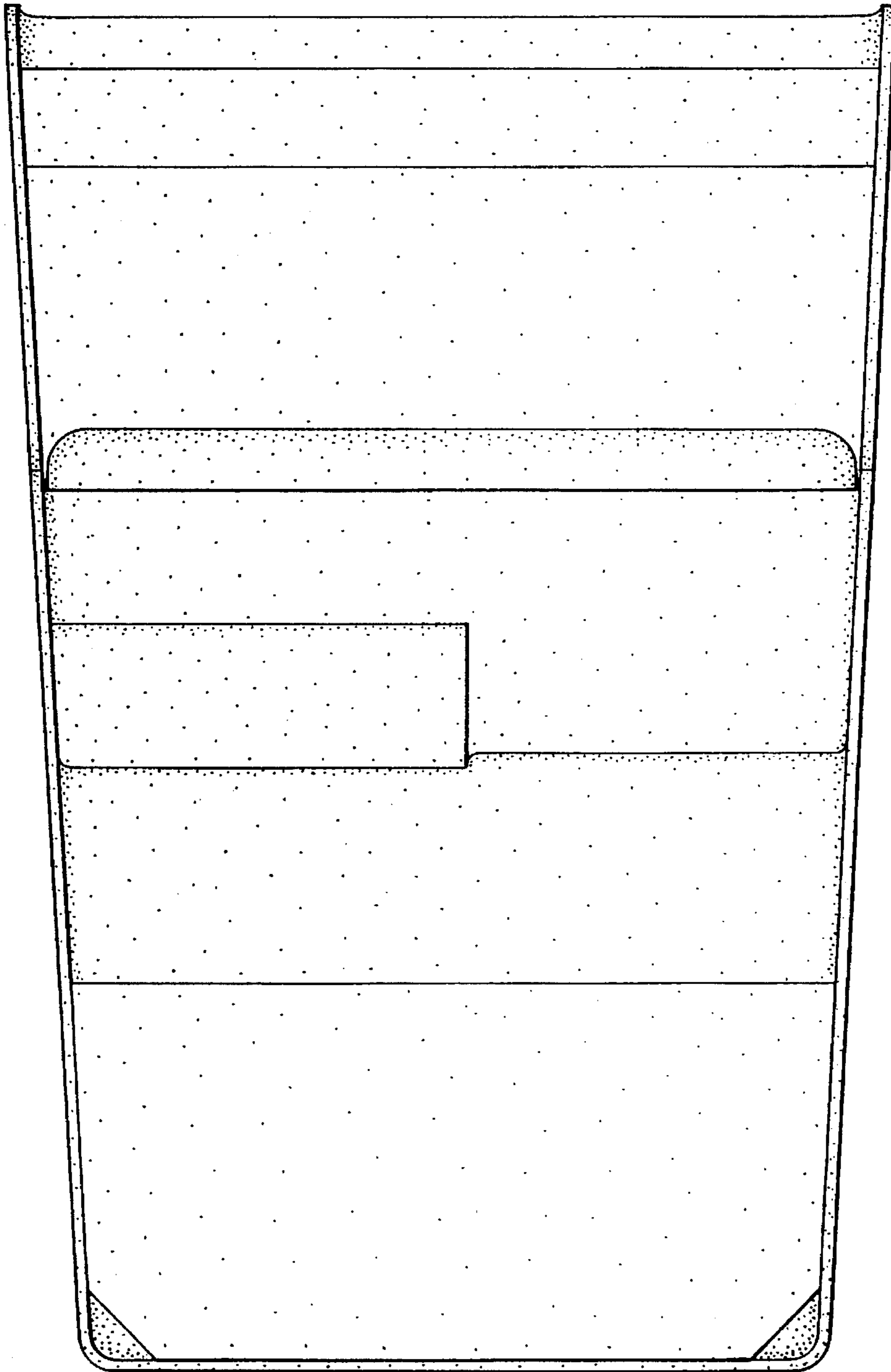


FIG 5

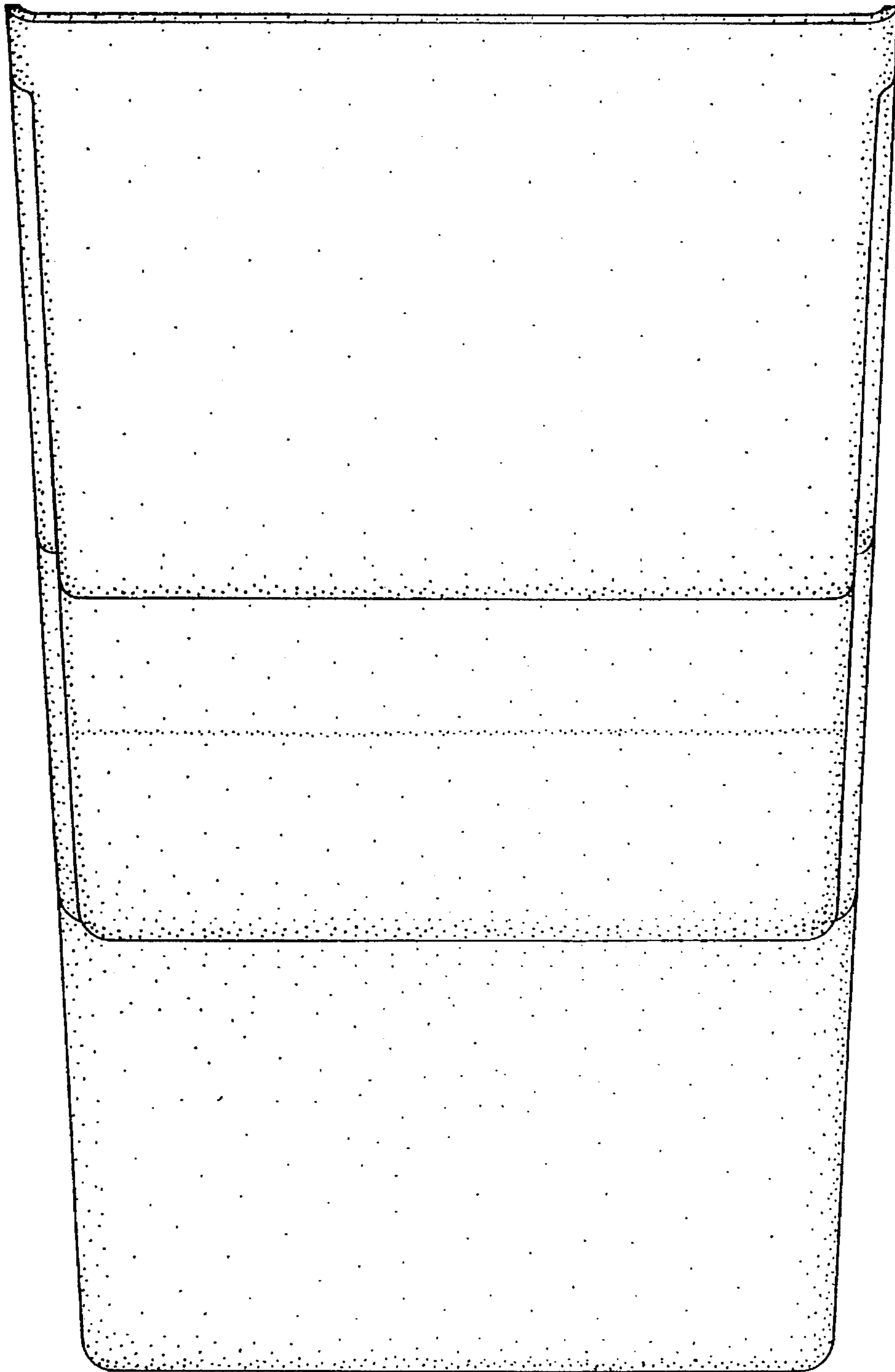


FIG 6

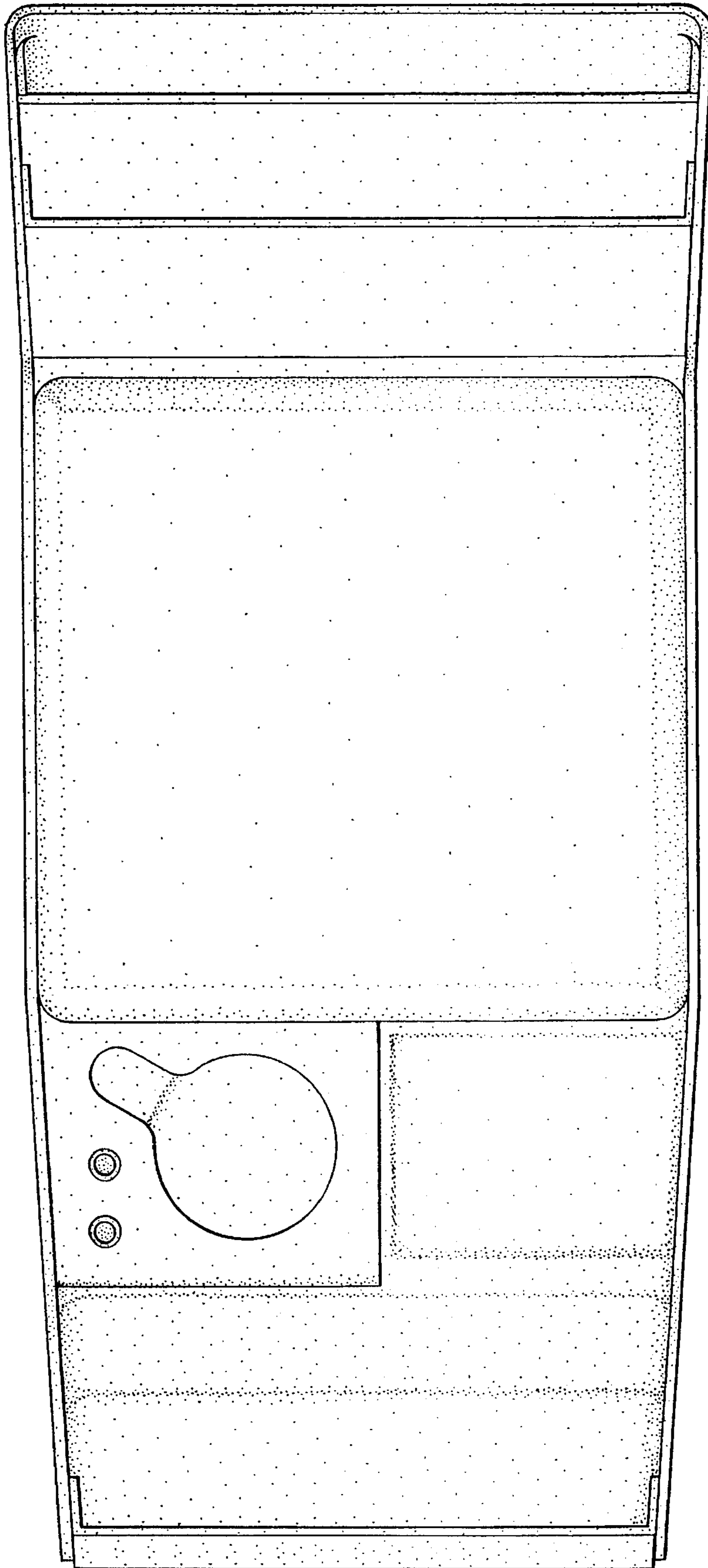
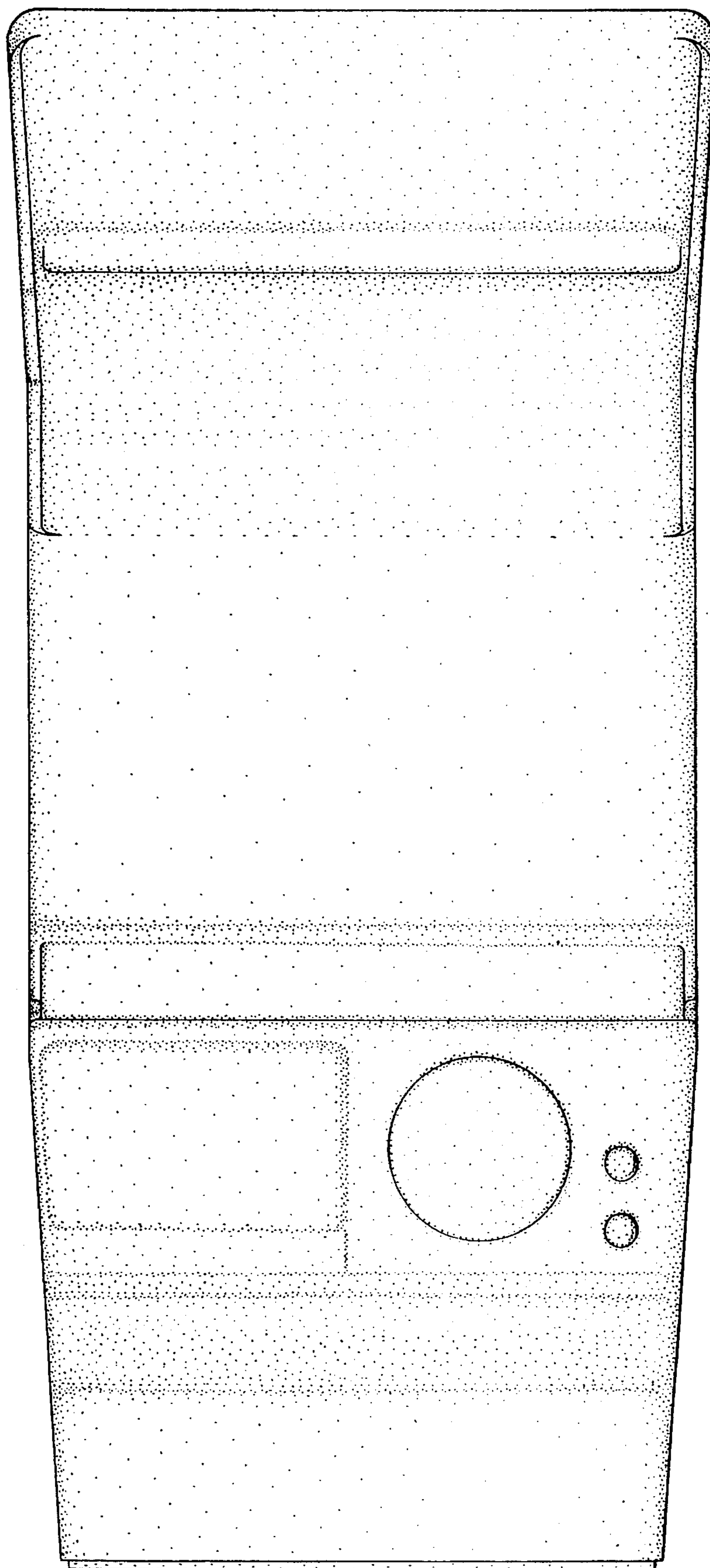


FIG 7



UNITED STATES PATENT AND TRADEMARK OFFICE
CERTIFICATE OF CORRECTION

PATENT NO. : **Des 368,890**

DATED : **April 16, 1996**

INVENTOR(S) : **Hayden B. Morris**

It is certified that error appears in the above-identified patent and that said Letters Patent is hereby corrected as shown below:

On the title page, Item [75] Inventor: change "Hyden" to —Hayden—.

Signed and Sealed this
Second Day of July, 1996



BRUCE LEHMAN

Commissioner of Patents and Trademarks

Attest:

Attesting Officer