



US00D368889S

United States Patent [19]
Mankey et al.

[11] **Patent Number: Des. 368,889**
[45] **Date of Patent: **Apr. 16, 1996**

[54] **CAR CADDY**
[75] **Inventors: Neal N. Mankey; Clinton L. McDade,**
both of Charlotte, N.C.
[73] **Assignee: Allied Plastics Acquisition, Inc.,**
Columbus, Ohio
[**] **Term: 14 Years**
[21] **Appl. No.: 14,170**
[22] **Filed: Oct. 14, 1993**
[52] **U.S. Cl. D12/419**
[58] **Field of Search D12/419; 224/42.11,**
224/42.42, 273, 275, 327, 329, 42.45 R

D. 328,973 9/1992 Mankey D12/419
Primary Examiner—James M. Gandy
Attorney, Agent, or Firm—Dinsmore & Shohl

[57] **CLAIM**
The ornamental design for a car caddy, as shown.

DESCRIPTION

FIG. 1 is a front perspective view of a car caddy embodying our new design;
FIG. 2 is a front elevational view thereof;
FIG. 3 is a rear elevational view thereof;
FIG. 4 is a top plan view thereof;
FIG. 5 is a side elevational view thereof;
FIG. 6 is the side elevational view thereof opposite the view shown in FIG. 5;
FIG. 7 is a cross-sectional view taken substantially along line 7—7 in FIG. 4;
FIG. 8 is a cross-sectional view taken substantially along line 8—8 in FIG. 4; and,
FIG. 9 is a cross-sectional view taken substantially along line 9—9 in FIG. 4.

[56] **References Cited**
U.S. PATENT DOCUMENTS
D. 257,914 1/1981 Wooters D12/419
D. 259,835 7/1981 Page, Jr. D12/419
D. 264,525 5/1982 Page, Jr. D12/419
D. 307,355 4/1990 Page, Jr. D12/419
D. 308,131 5/1990 Marcantonio D12/419
D. 327,364 6/1992 Mankey D12/419

1 Claim, 3 Drawing Sheets

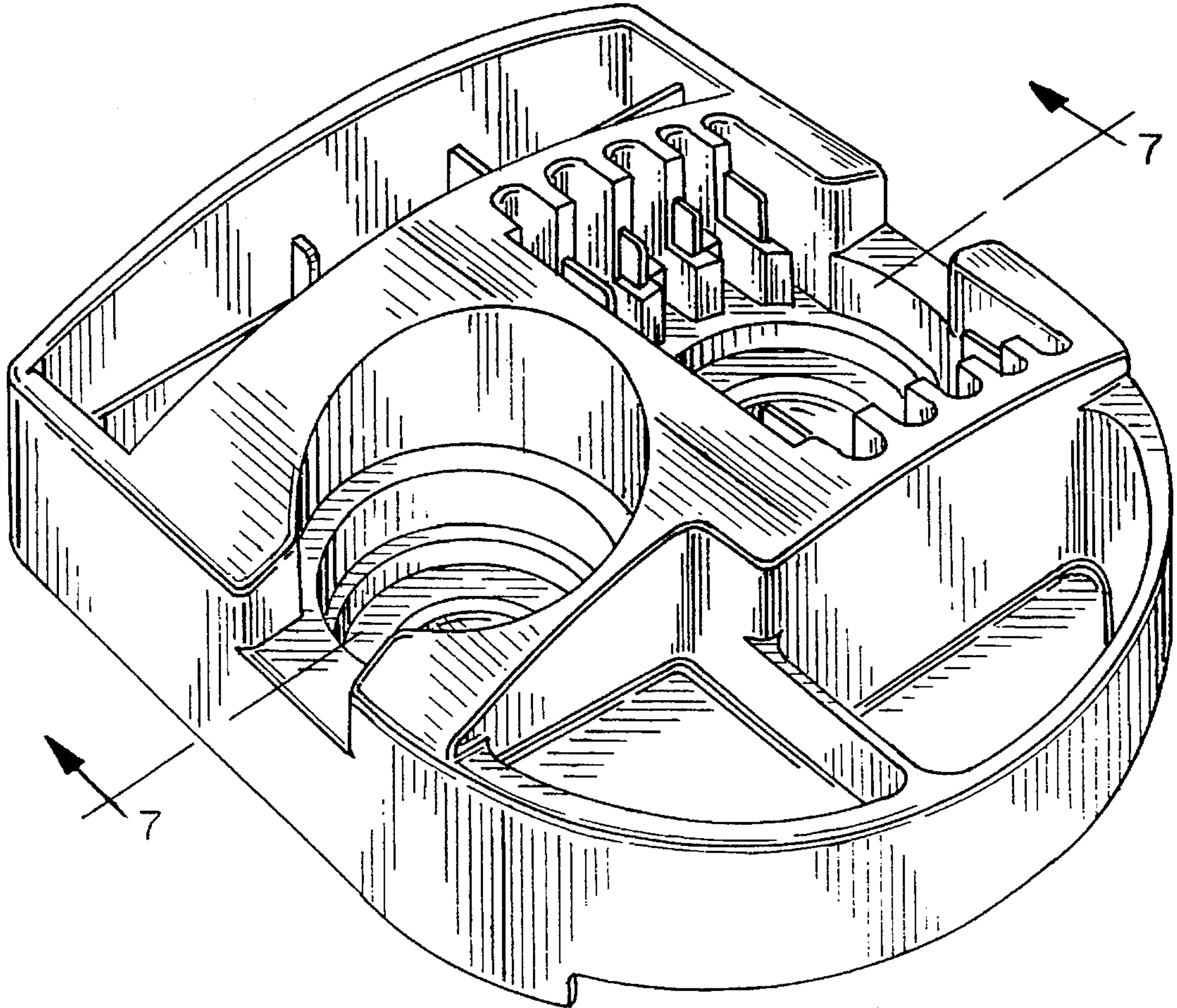


Fig. 1

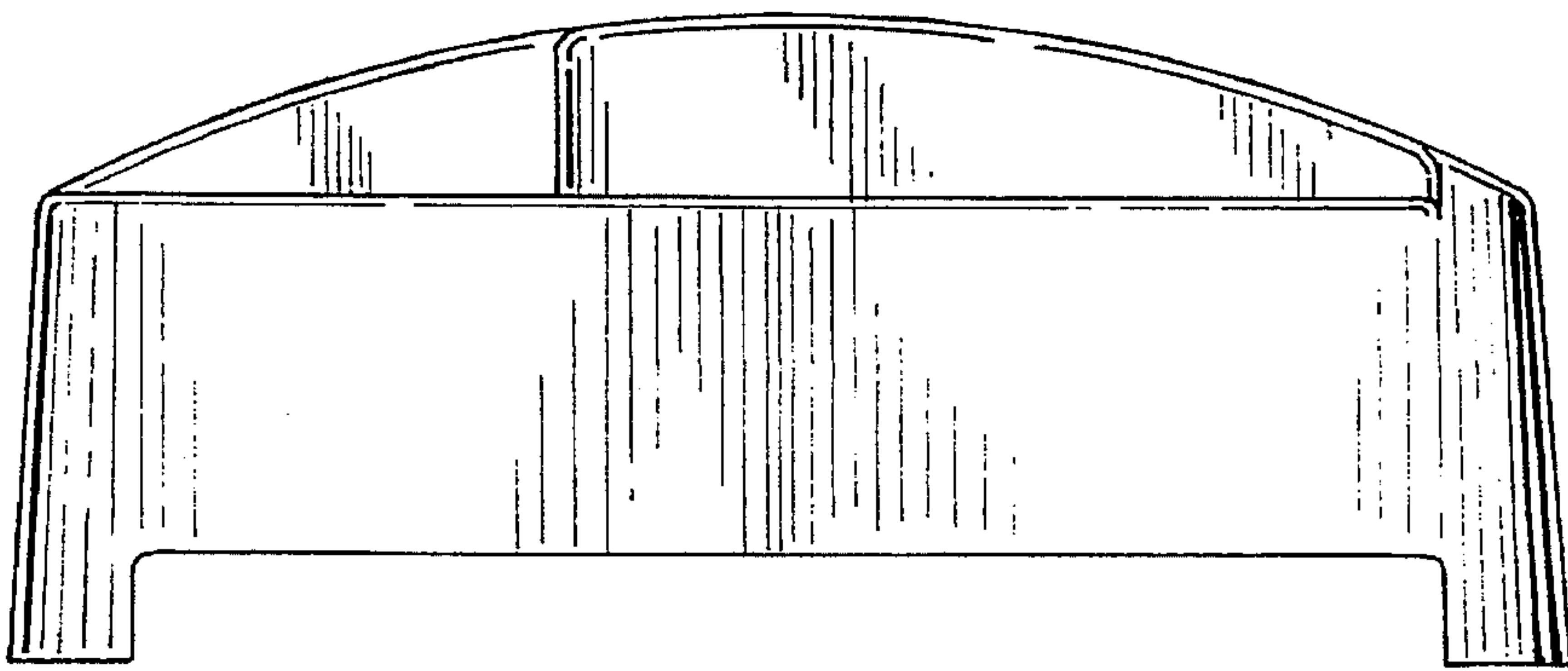
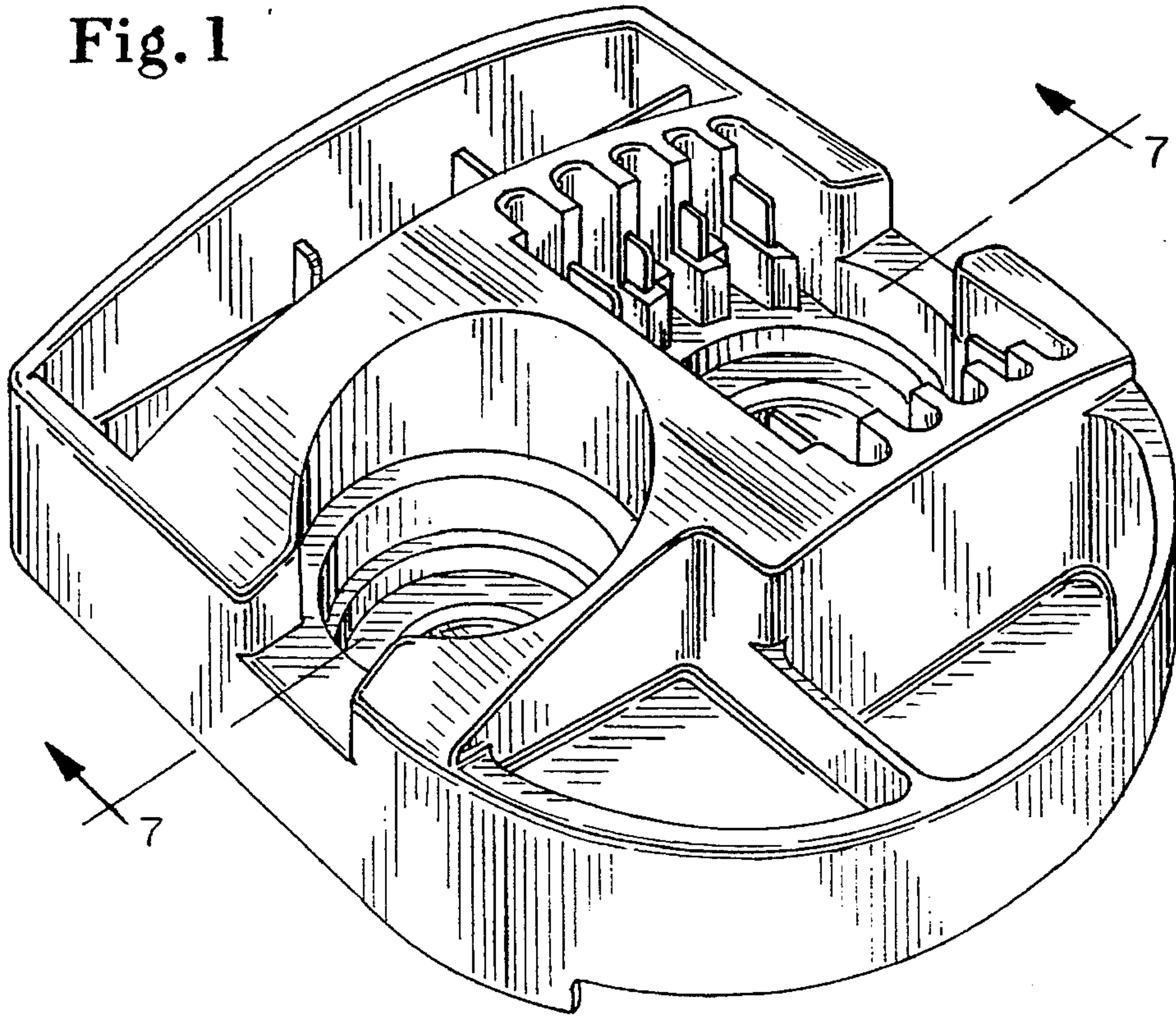


Fig. 2

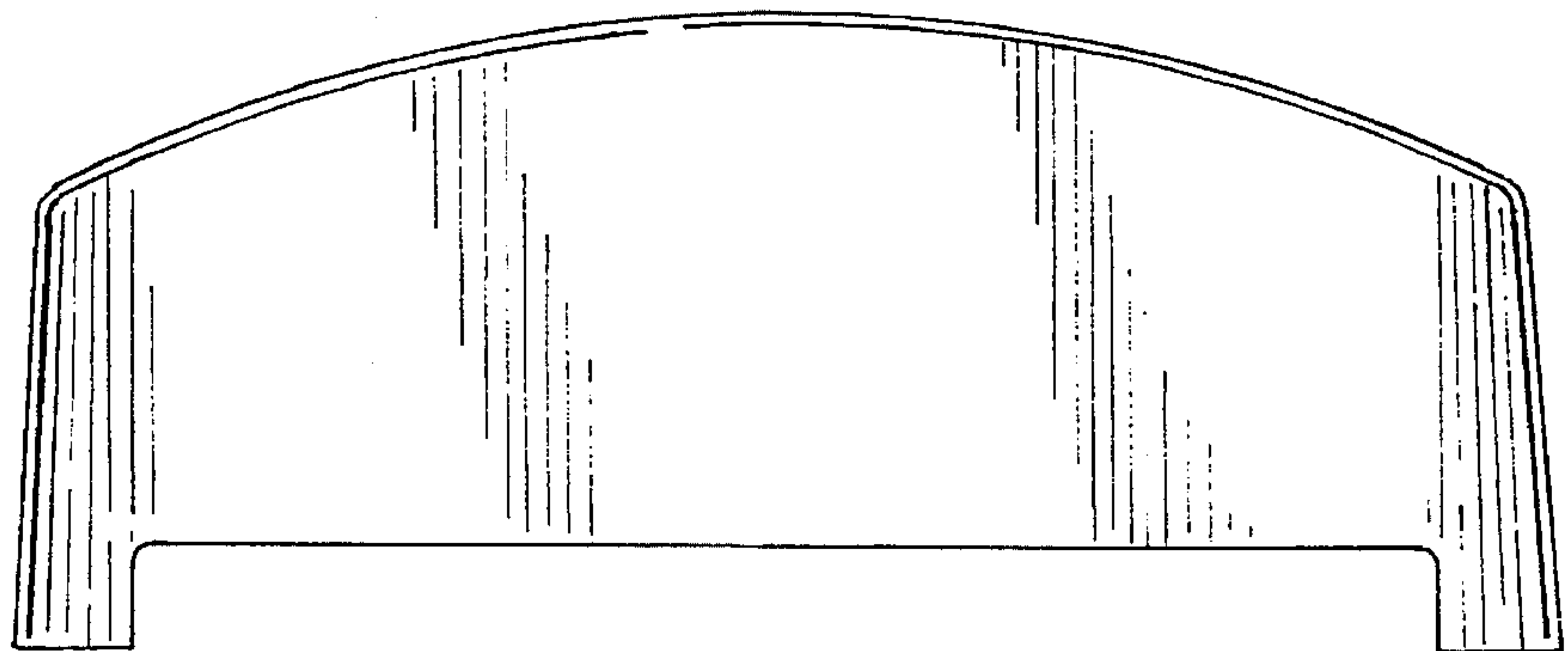


Fig. 3

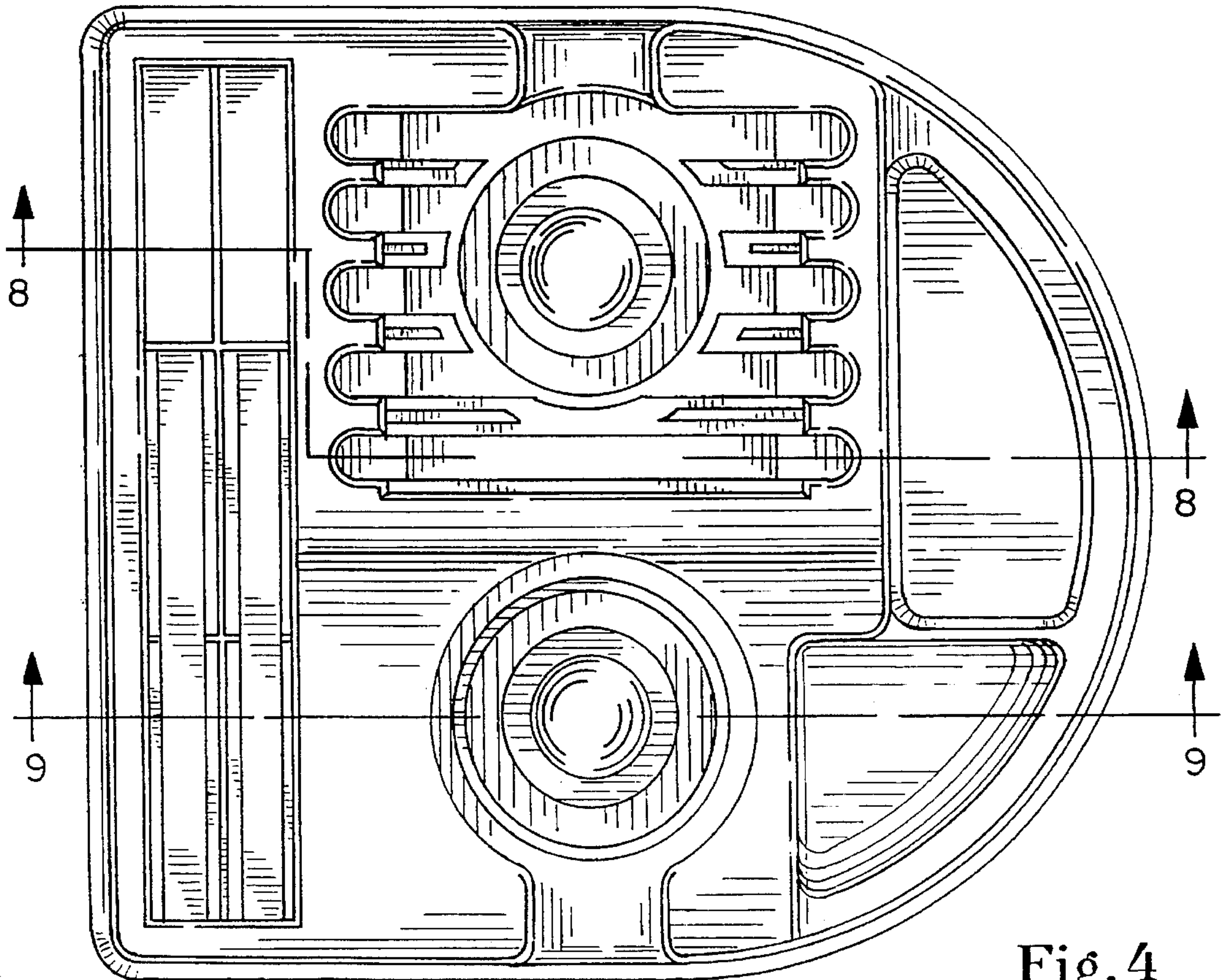


Fig. 4

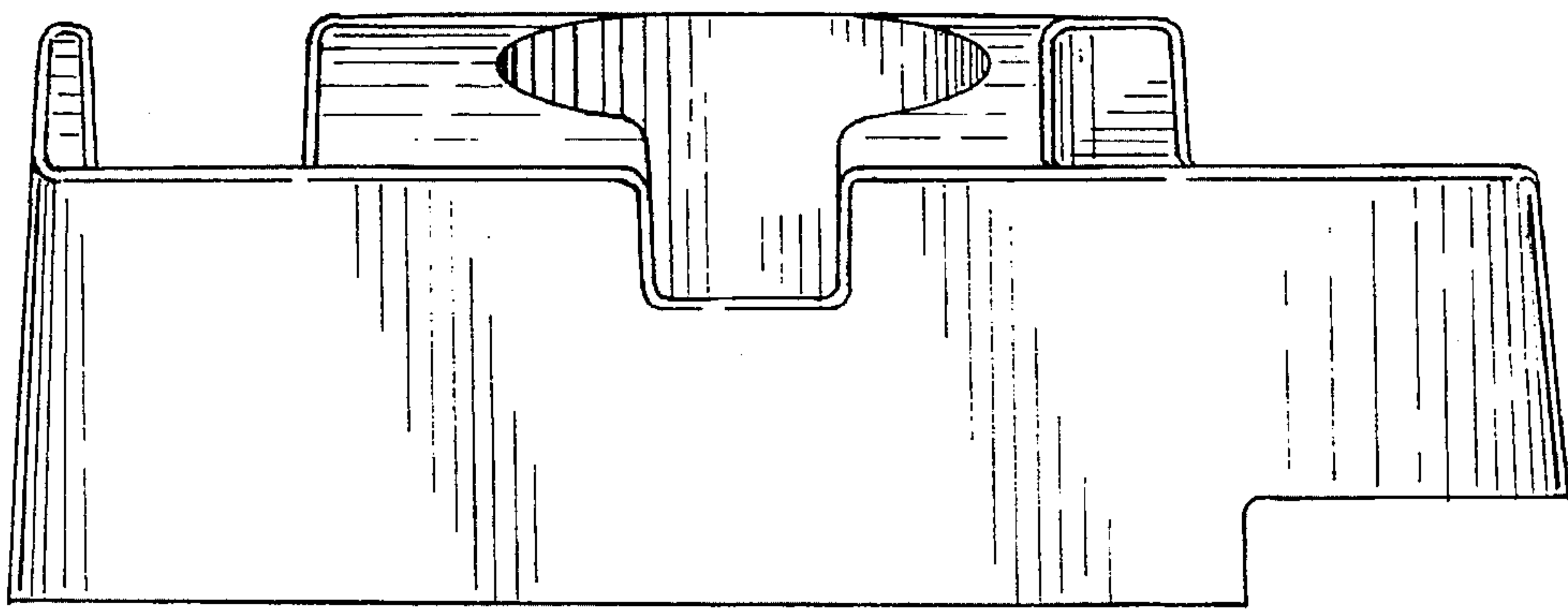


Fig. 5

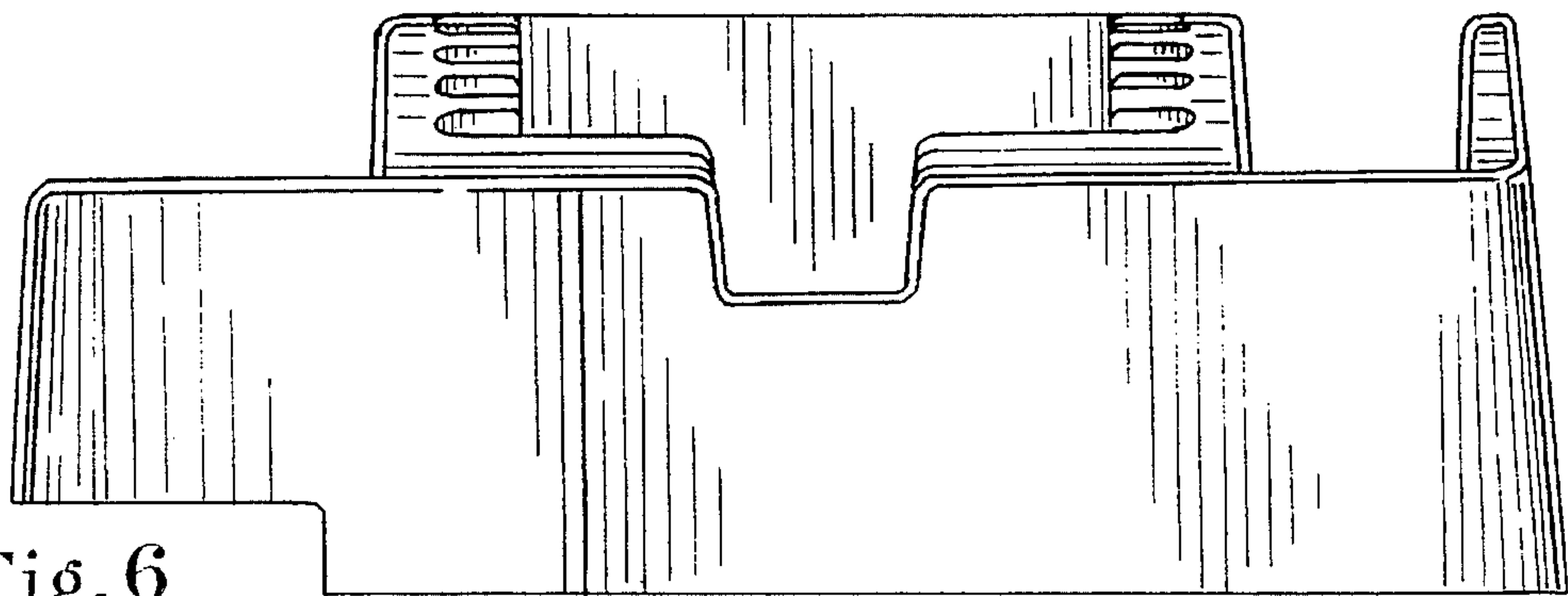


Fig. 6

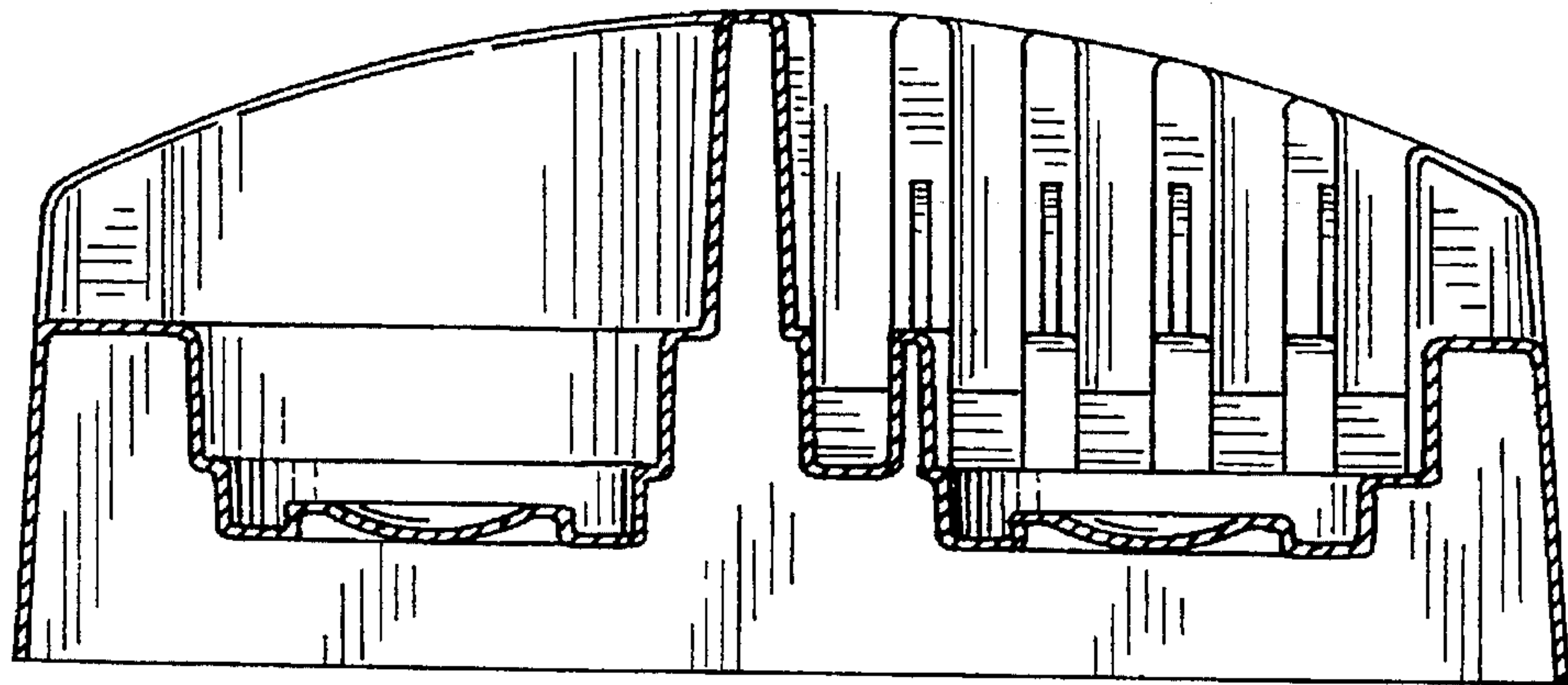


Fig. 7

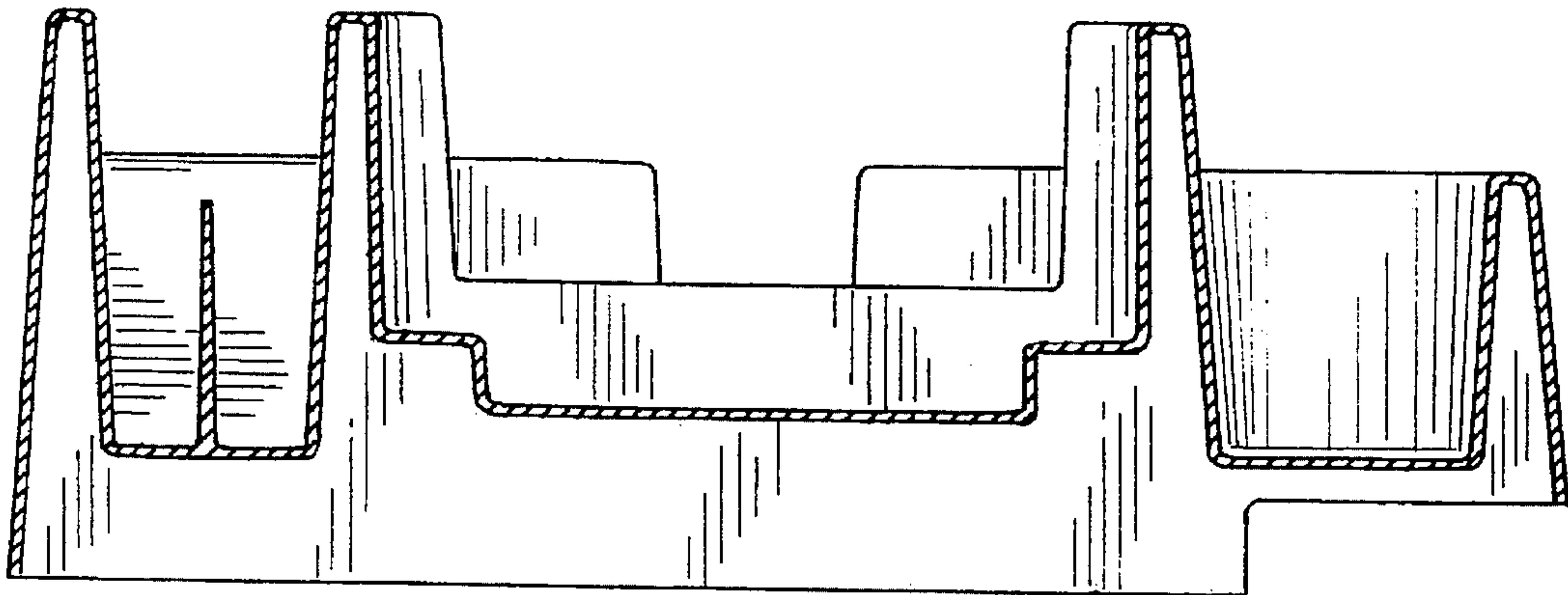


Fig. 8

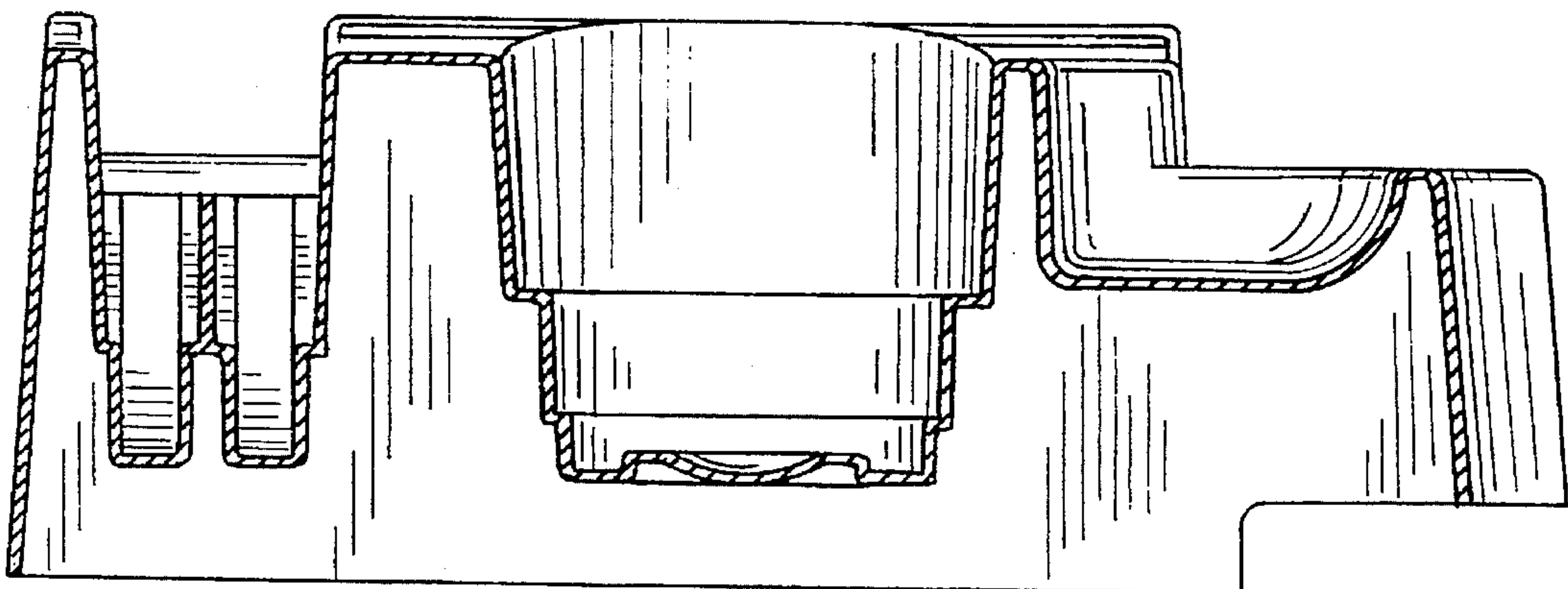


Fig. 9