



US00D368888S

United States Patent [19]

Stephens et al.

[11] Patent Number: **Des. 368,888**

[45] Date of Patent: ****Apr. 16, 1996**

[54] **FLEXIBLE TARP SUPPORT**

5,211,441 5/1993 Barkus et al. 296/100 X

[76] Inventors: **Donald W. Stephens**, 1814 E. 58th St.,
Tulsa, Okla. 74105; **Patricia A. Lemmons**, 2834 Redbud, Katy, Tex.
77493

Primary Examiner—A. Hugo Word
Assistant Examiner—Holly Baynham
Attorney, Agent, or Firm—Head, Johnson & Kachigian

[**] Term: **14 Years**

[57] **CLAIM**

The ornamental design for a flexible tarp support, as shown and described.

[21] Appl. No.: **23,121**

DESCRIPTION

[22] Filed: **May 18, 1994**

[52] U.S. Cl. **D12/223**

[58] Field of Search D12/223; 296/130,
296/100, 98

FIG. 1 is a top plan view of a flexible tarp support showing our new design;
FIG. 2 is a right side elevational view thereof;
FIG. 3 is a bottom view thereof;
FIG. 4 is a front view thereof;
FIG. 5 is a reduced, environmental side elevational view thereof; and,
FIG. 6 is an enlarged, fragmented perspective view shown for clarity of illustration.
The left side elevational is the same as the right side elevational view in FIG. 2.
The rear view is the same as the front view of FIG. 4.
The broken line showing of a truck in FIG. 5 and a receiving bracket in FIG. 6 is for illustrative purposes only and forms no part of the claimed design.

[56] **References Cited**

U.S. PATENT DOCUMENTS

3,066,974	12/1962	Ambli	296/100
4,212,492	7/1980	Johnsen	296/98
4,248,475	2/1981	Johnsen	296/100
4,484,777	11/1984	Michel	296/98
4,854,630	8/1989	Biancale .	
4,854,633	8/1989	Kraft .	
4,902,065	2/1990	Thralls .	
4,915,439	10/1990	Cramaro	296/100 X
4,923,240	5/1990	Swanson .	
5,080,423	1/1992	Merlot et al. .	
5,145,230	9/1992	Biancale .	

1 Claim, 2 Drawing Sheets

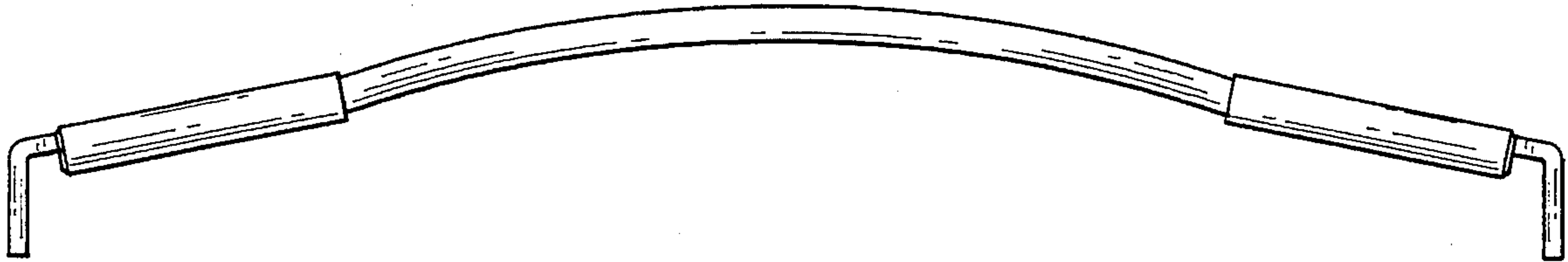




Fig. 1

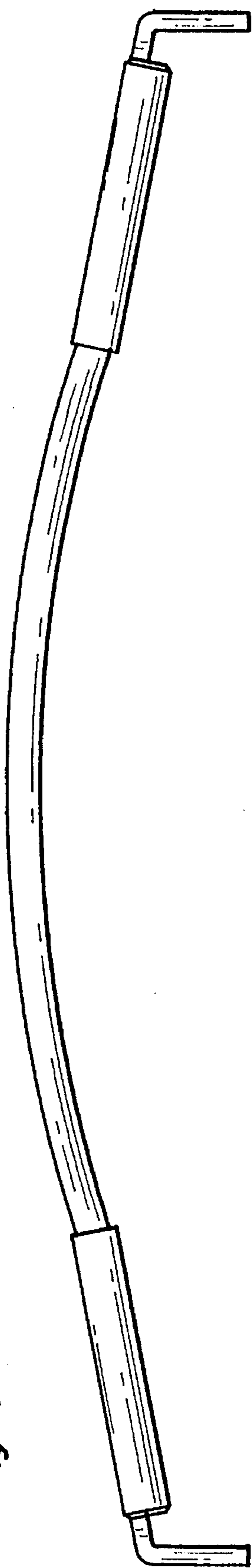


Fig. 2

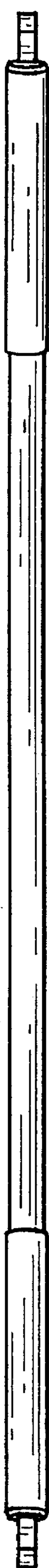


Fig. 3



Fig. 4

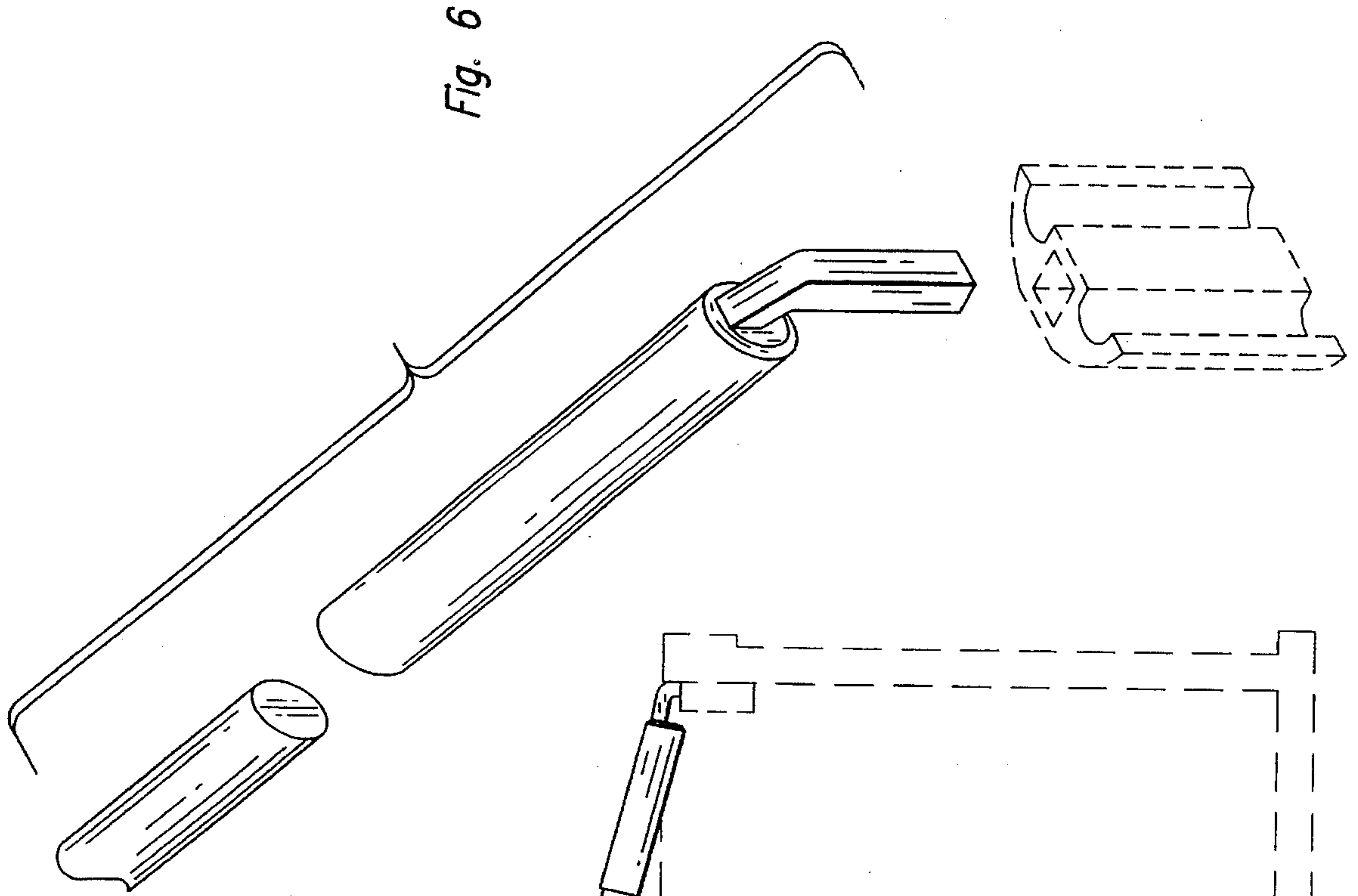


Fig. 5

