



US00D36887S

United States Patent [19]

Upshaw

[11] Patent Number: **Des. 368,887**

[45] Date of Patent: ****Apr. 16, 1996**

[54] **FLATBED TRUCK HYDRAULIC LIFT LINER**

5,207,472 5/1993 Gower 296/39.1

[75] Inventor: **Richard S. Upshaw**, Atlanta, Ga.

Primary Examiner—A. Hugo Word

Assistant Examiner—M. Brown

[73] Assignee: **Lift Liner Products, Inc.**, Atlanta, Ga.

Attorney, Agent, or Firm—Needle & Rosenberg

[**] Term: **14 Years**

[57] **CLAIM**

[21] Appl. No.: **25,446**

The ornamental design for a flatbed truck hydraulic lift liner, as shown and described.

[22] Filed: **Jun. 30, 1994**

[52] U.S. Cl. **D12/221**

[58] Field of Search D12/221, 15, 98;
296/39.1, 39.2, 39.3, 164, 167

DESCRIPTION

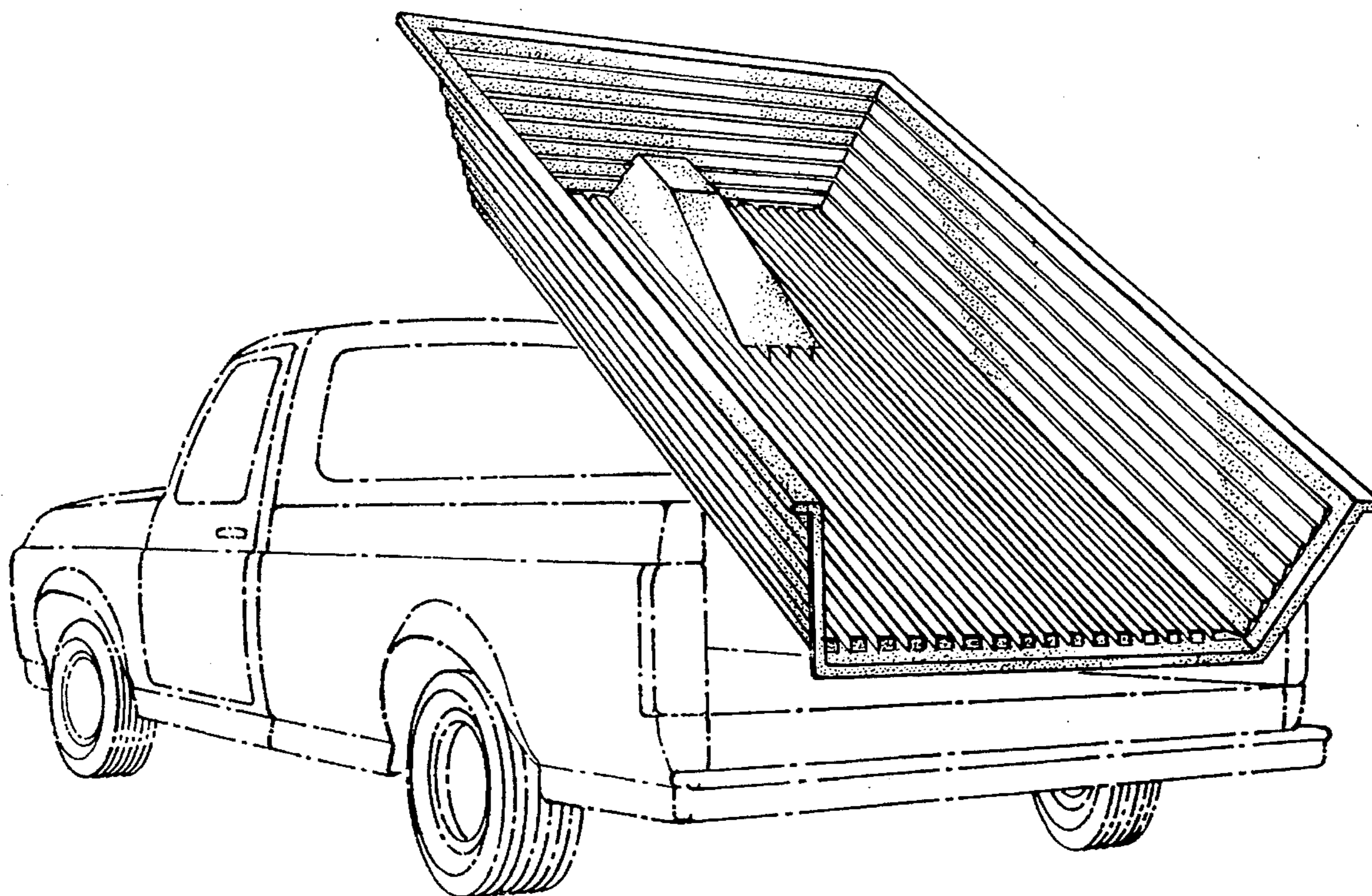
FIG. 1 is a rear and left side perspective view of a flatbed truck hydraulic lift liner showing my new design; FIG. 2 is a top plan view of the liner shown in FIG. 1; FIG. 3 is a left side elevation view of the liner of FIG. 1, the opposite side of which is a mirror image thereof; FIG. 4 is a rear end elevation view of the liner of FIG. 1; and, FIG. 5 is a front end elevation view of the liner of FIG. 1. The representation, in FIG. 1, of the flatbed truck in phantom lines is for environmental structure and forms no part of the claimed design.

[56] References Cited

U.S. PATENT DOCUMENTS

D. 175,583	9/1955	Birdwell	D12/15
D. 189,025	10/1960	Acker	D12/15
D. 293,226	12/1987	Whitson	D12/227
D. 336,062	6/1993	Austin	D12/221
3,740,097	6/1973	Parker et al.	D12/15
4,991,899	2/1991	Scott	296/39.2
5,154,478	10/1992	Erickson et al.	296/39.2

1 Claim, 2 Drawing Sheets



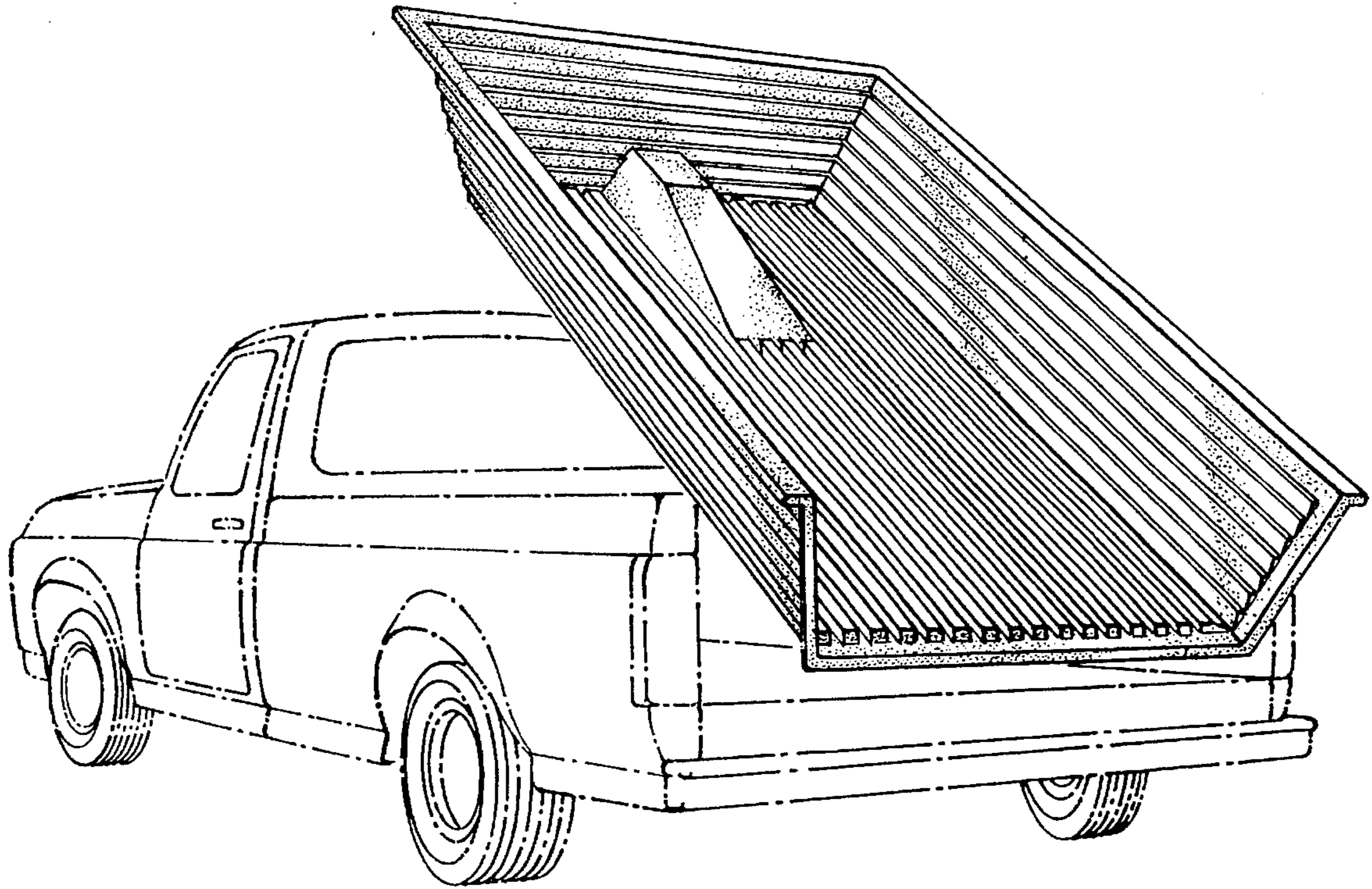


FIG 1

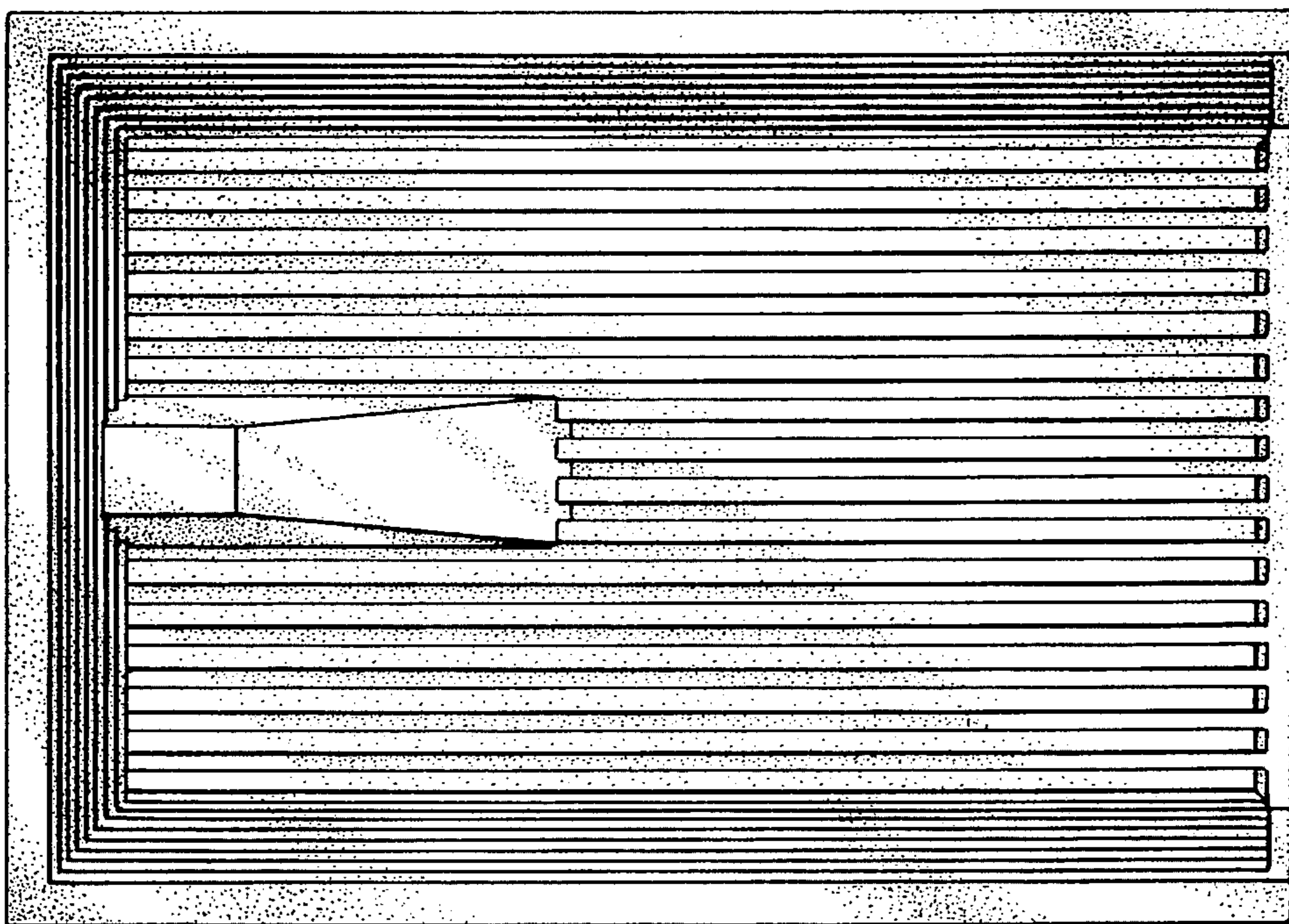


FIG 2

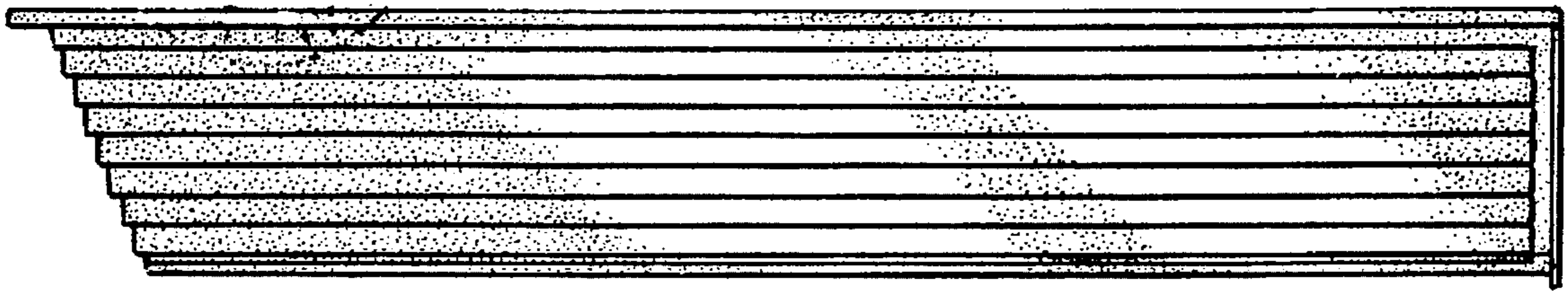


FIG 3

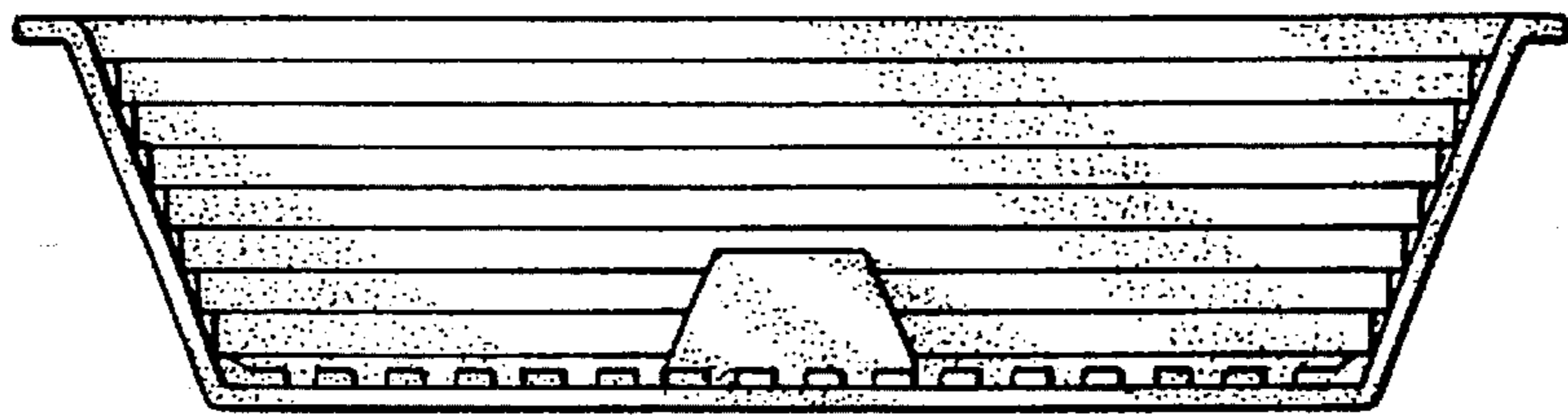


FIG 4

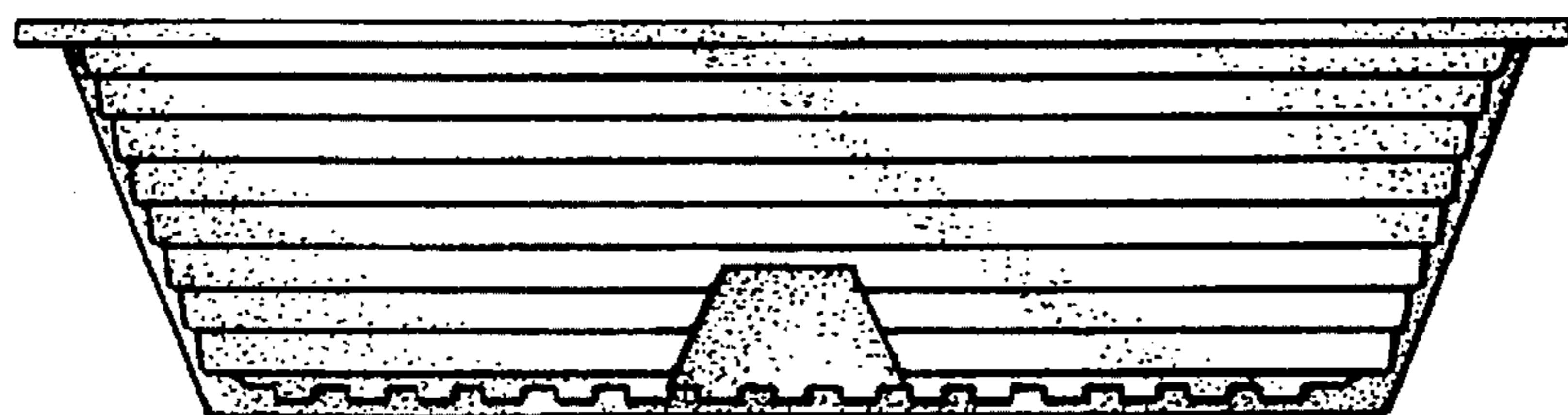


FIG 5