



US00D368886S

United States Patent [19]
Kuryliw

[11] **Patent Number: Des. 368,886**
[45] **Date of Patent: **Apr. 16, 1996**

[54] **BOAT PROPELLER**

[76] Inventor: **William Kuryliw**, Box 1434, Lac La Biche, Alberta, Canada, T0A 2C0

[**] Term: **14 Years**

[21] Appl. No.: **32,450**

[22] Filed: **Dec. 19, 1994**

[30] **Foreign Application Priority Data**

Jun. 21, 1994 [CA] Canada 1994-1197

[52] U.S. Cl. **D12/214; D23/411**

[58] Field of Search D12/214, 317,
D12/345; D23/411; 416/17.6, 223, 188,
243

[56] **References Cited**

U.S. PATENT DOCUMENTS

D. 203,719	2/1966	Martens	D71/1
323,734	8/1885	Randall	416/176
D. 355,252	2/1995	Andersen	D12/214
756,031	3/1904	Lee	115/40
938,911	11/1909	Taylor	115/40
1,035,003	8/1912	Gunther	416/176
1,110,497	9/1914	Konitzko	416/122
1,713,448	5/1929	Roe	416/122

2,106,928	2/1938	Lee	416/189
2,295,633	9/1942	Chase	415/121 B
2,320,451	6/1943	Akins	.	
2,470,874	5/1949	Sidney	115/40
2,501,617	3/1950	Roesch	115/37
3,233,574	2/1966	Justinien	115/38
3,283,829	11/1966	Aumarechal	416/146
3,695,173	10/1972	Cox	415/72
3,826,591	7/1974	Wilson	416/177
3,971,148	7/1976	Deal	198/497
4,200,597	4/1980	Baum	416/176
4,214,747	7/1980	Rebajes	416/176
4,246,862	1/1981	Deal	440/73
4,921,404	5/1990	Holmberg	416/223 R
5,044,884	9/1991	Thibault et al.	416/189

Primary Examiner—Kay H. Chin

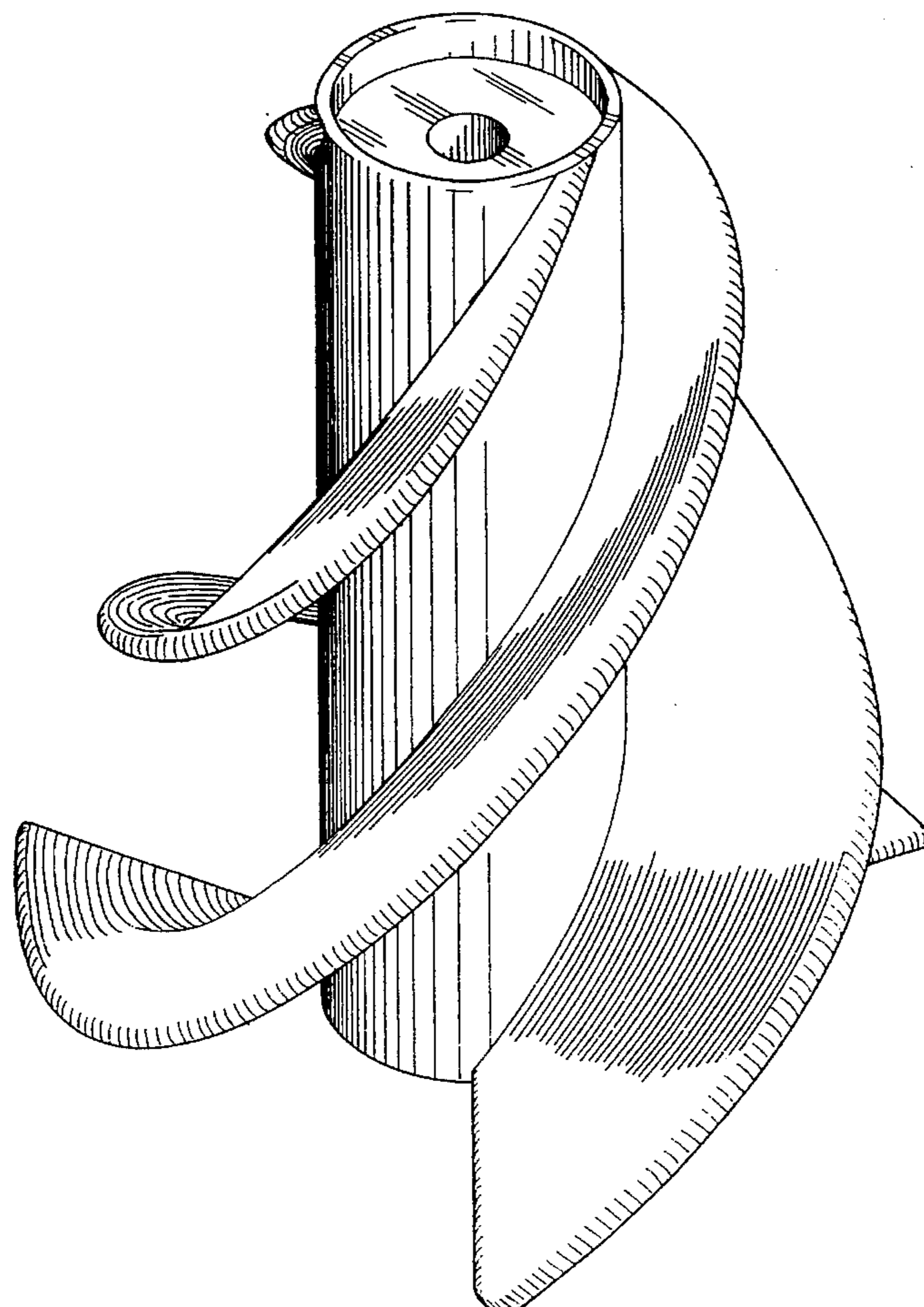
[57] **CLAIM**

The ornamental design for a boat propeller, as shown and described.

DESCRIPTION

FIG. 1 is a perspective view;
FIG. 2 is a side elevation view;
FIG. 3 is a top plan view; and,
FIG. 4 is a bottom plan view.

1 Claim, 4 Drawing Sheets



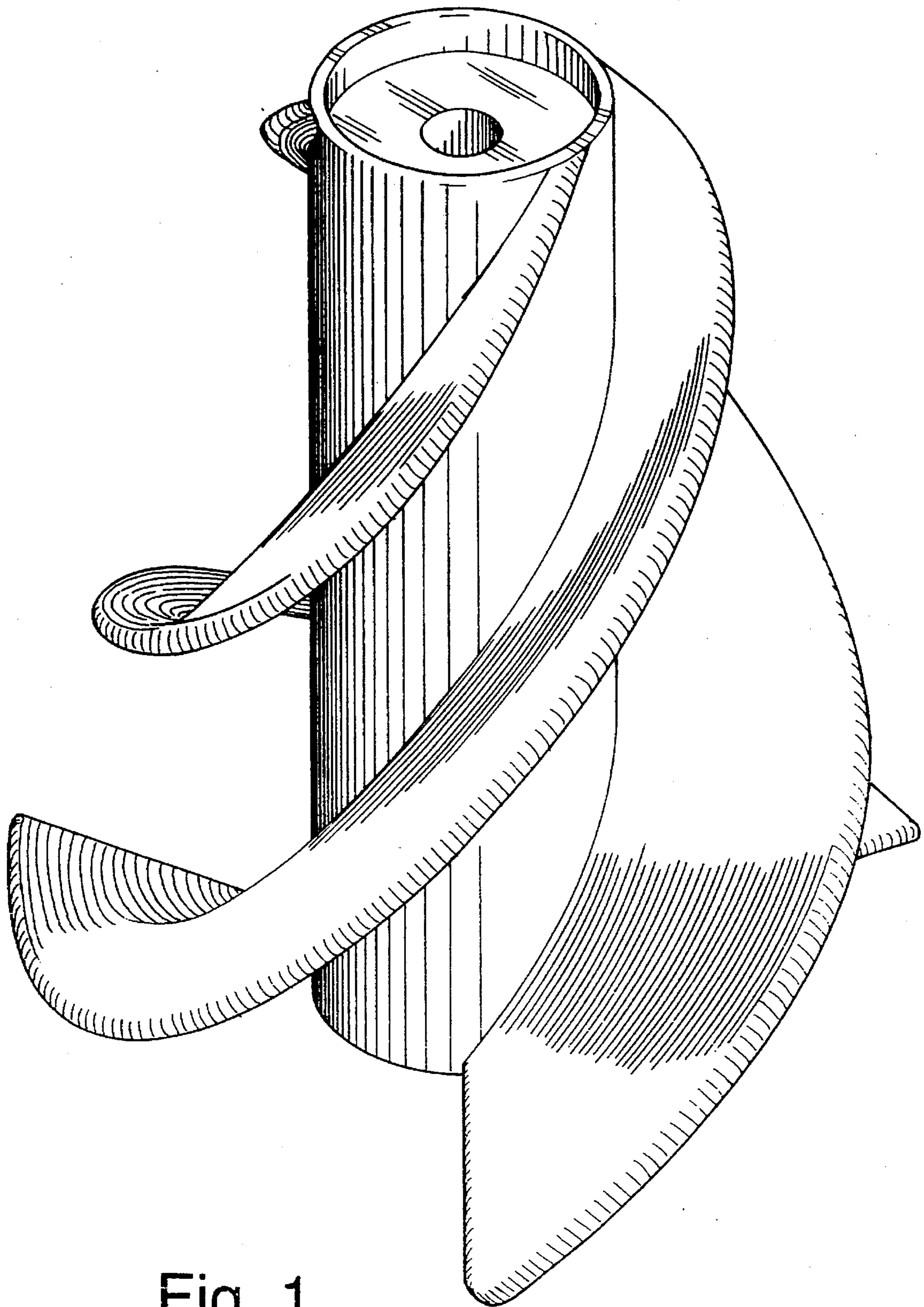


Fig. 1.

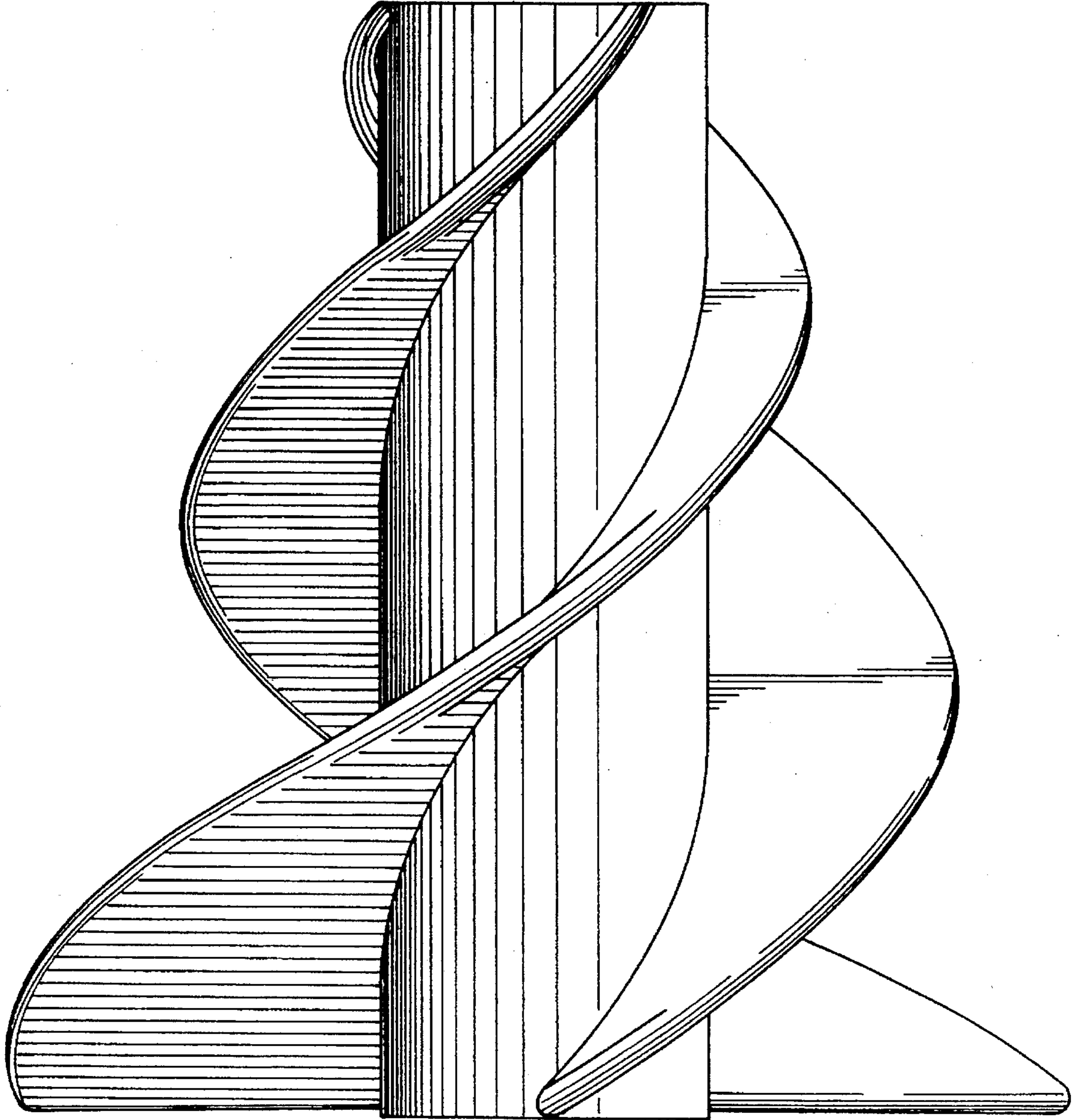


Fig. 2.

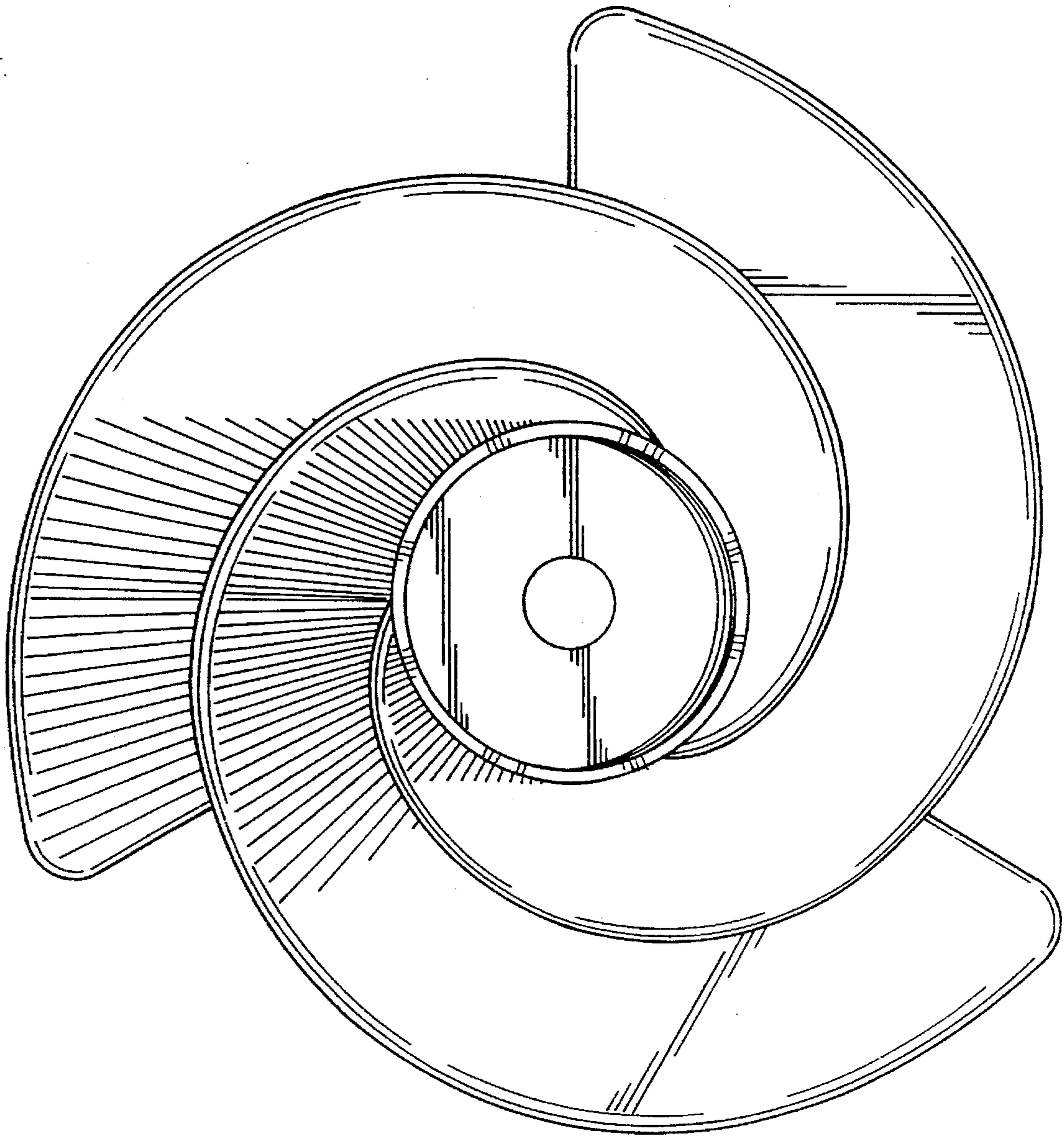


Fig. 3.

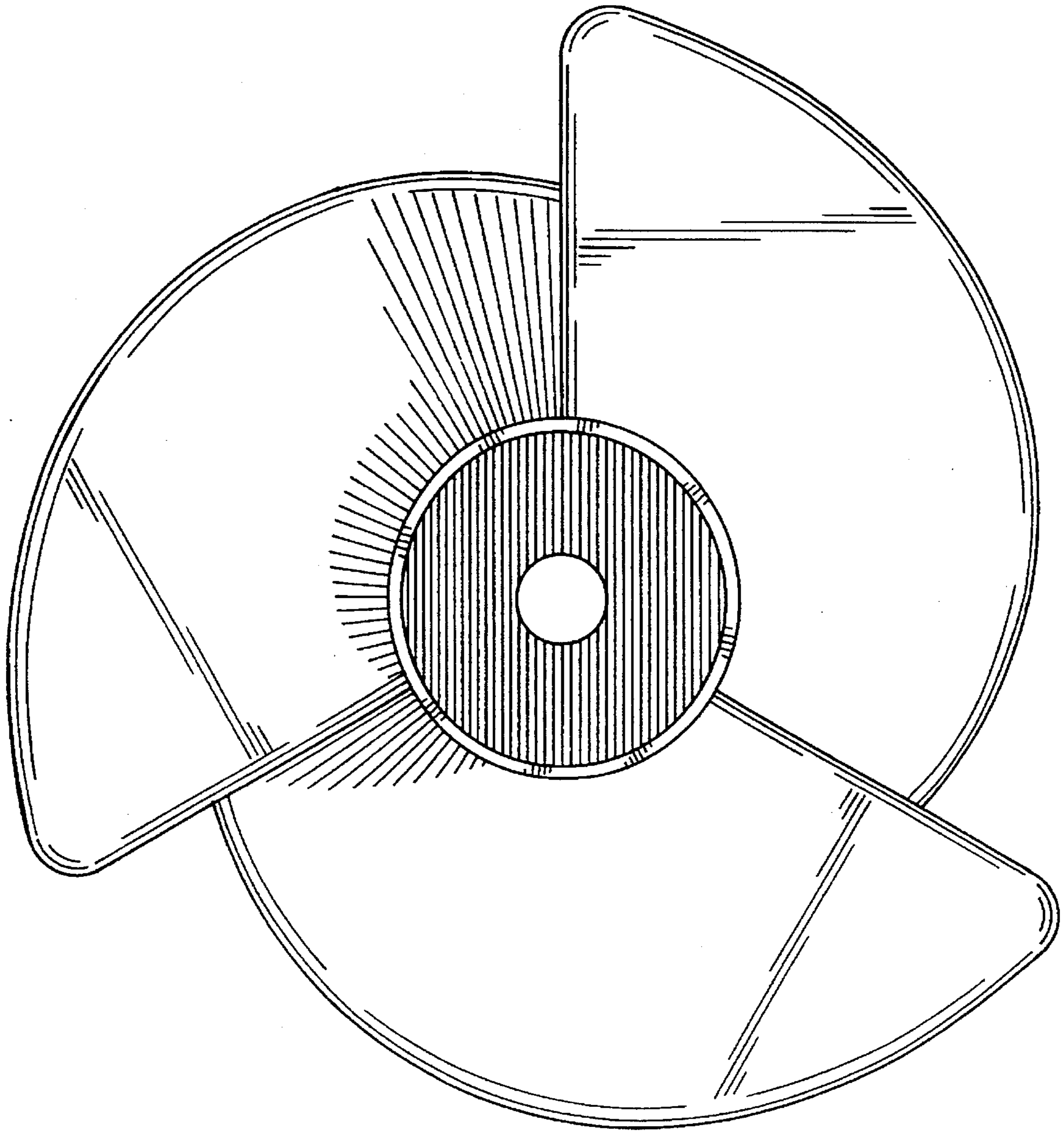


Fig. 4.