



US00D36882S

# United States Patent [19]

Heinen et al.

[11] Patent Number: **Des. 368,882**

[45] Date of Patent: **\*\*Apr. 16, 1996**

[54] **TIRE TREAD**

[75] Inventors: **Richard Heinen**, Habay-La-Neuve;  
**Alain-Alphonse Z. S. Klepper**,  
Bastogne, both of Belgium

[73] Assignee: **The Goodyear Tire & Rubber  
Company**, Akron, Ohio

[\*\*] Term: **14 Years**

[21] Appl. No.: **33,399**

[22] Filed: **Jan. 12, 1995**

[52] U.S. Cl. .... **D12/147**

[58] Field of Search ..... **D12/145-148;**  
**152/209 R, 209 B, 209 D**

[56] **References Cited**

**U.S. PATENT DOCUMENTS**

D. 278,423 4/1985 Baus ..... D12/147  
D. 348,241 6/1994 Graas et al. .... D12/147

**FOREIGN PATENT DOCUMENTS**

1164606 6/1989 Japan ..... 152/209 R

*Primary Examiner*—James M. Gandy  
*Attorney, Agent, or Firm*—T. P. Lewandowski

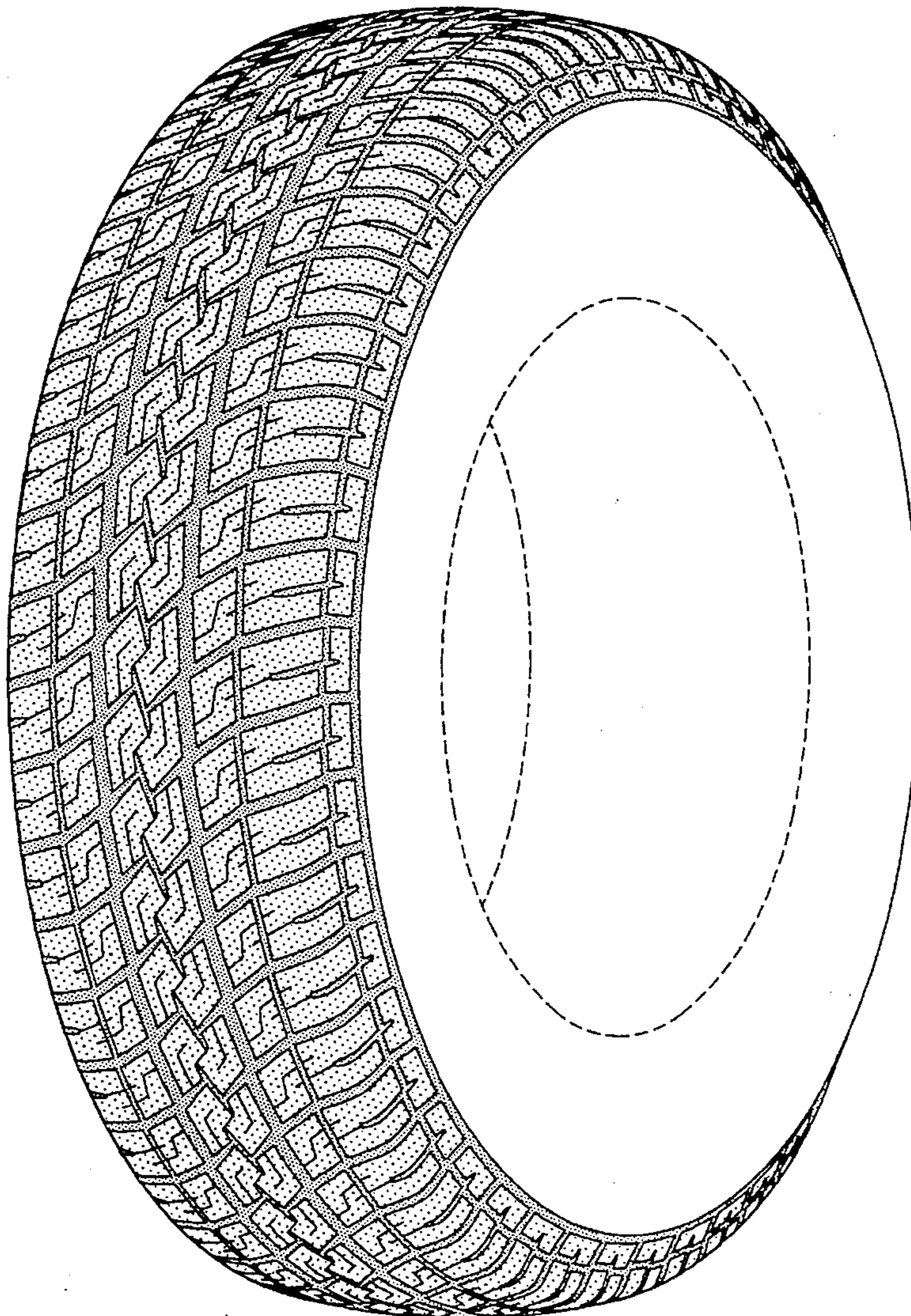
[57] **CLAIM**

The ornamental design for a tire tread, as shown and described.

**DESCRIPTION**

FIG. 1 is a perspective view of a tire tread;  
FIG. 2 is a front elevational view thereof;  
FIG. 3 is a side elevational view thereof; and,  
FIG. 4 is an enlarged fragmentary front view thereof.  
The tread pattern is understood to be repeated uniformly throughout the circumference of the tire tread.  
The broken line showing of the tire sidewall in the drawings is for illustrative purposes only and forms no part of the claimed design.

**1 Claim, 4 Drawing Sheets**



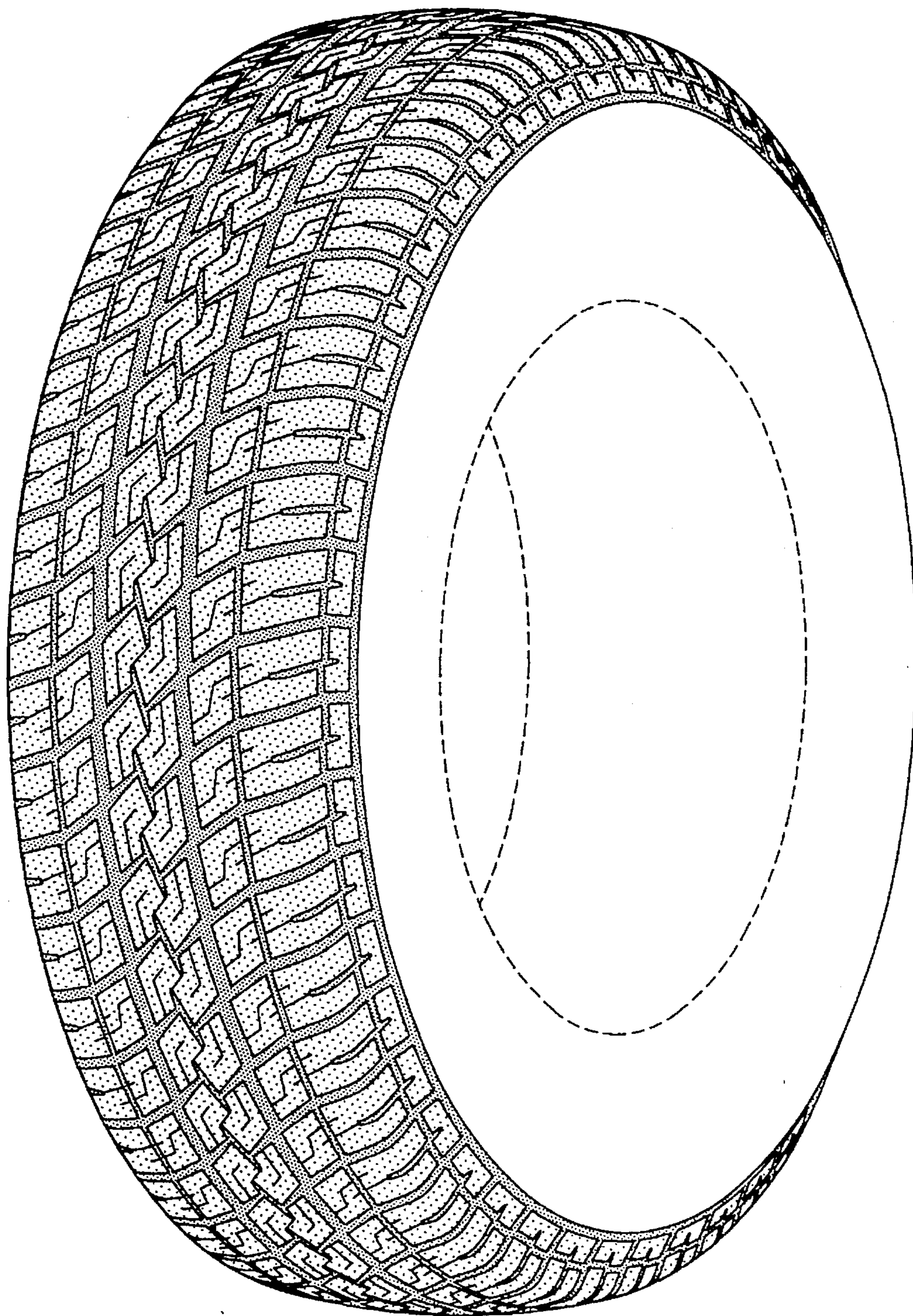


FIG-1

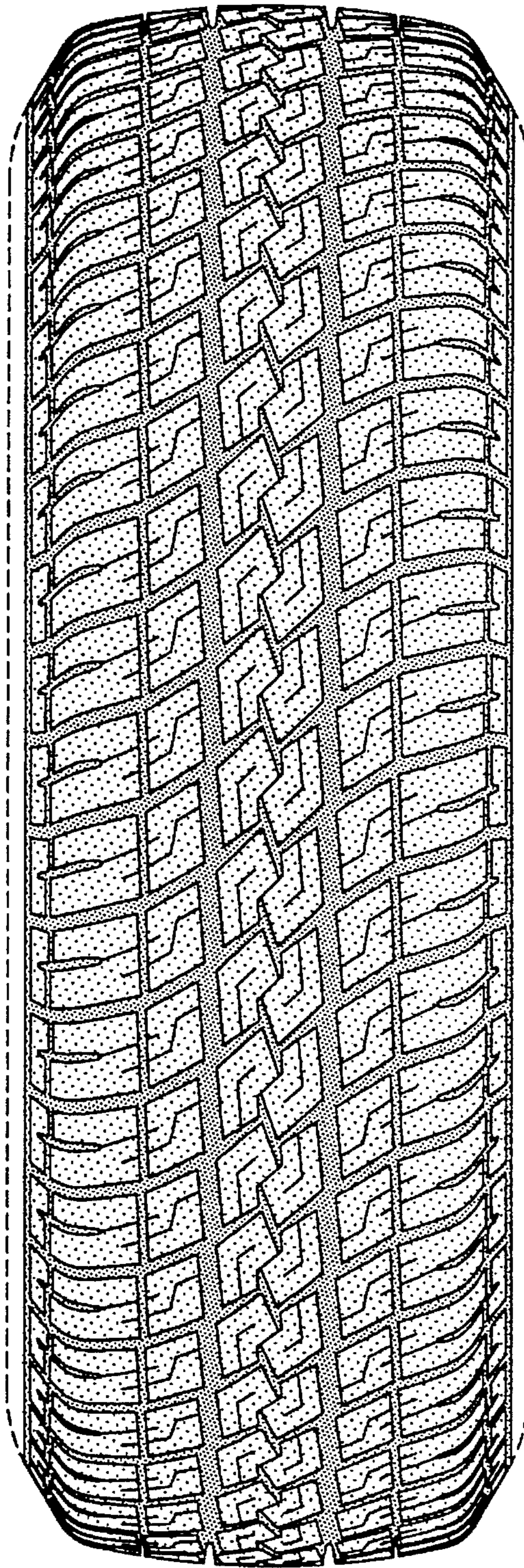


FIG-2

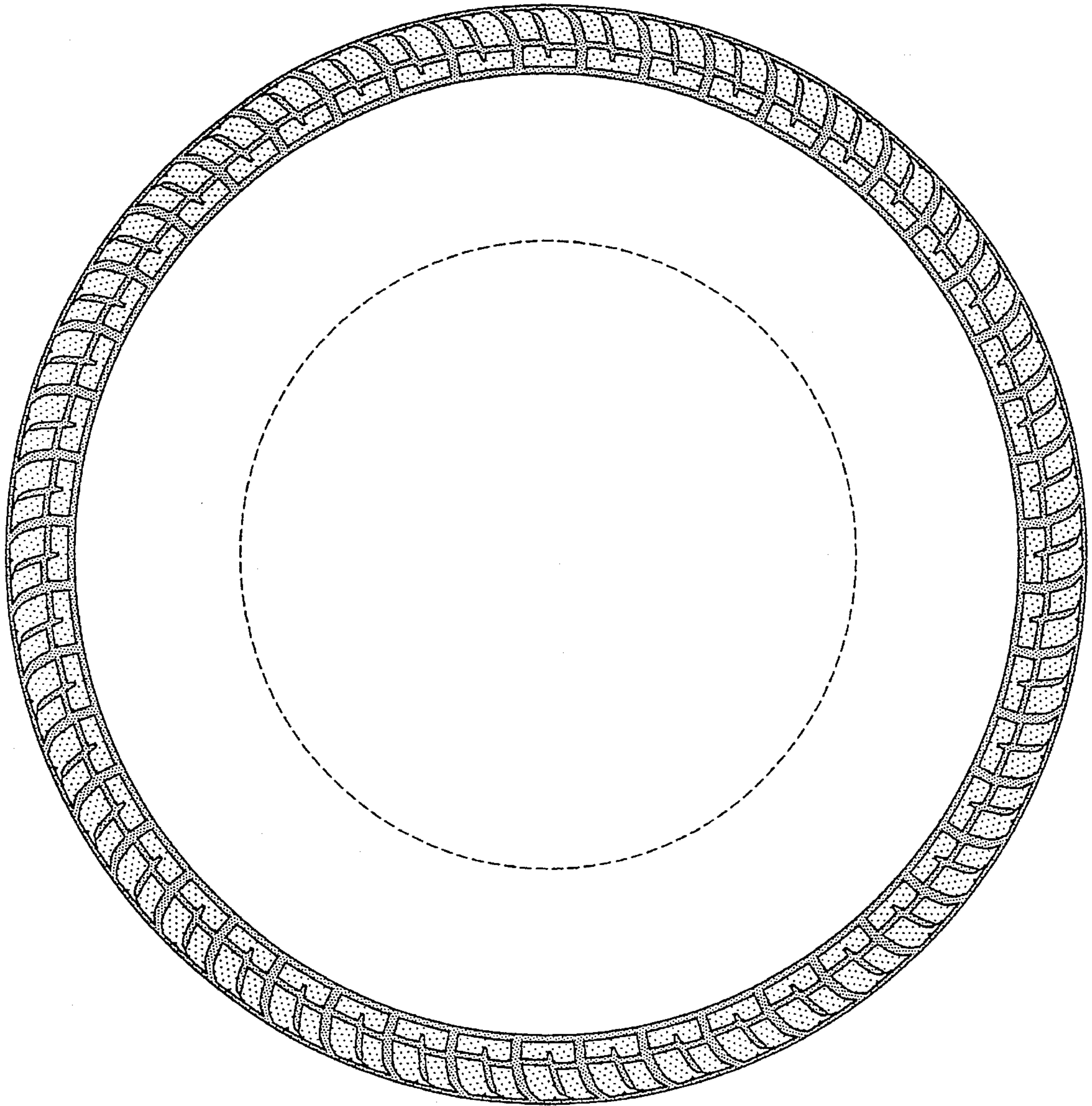


FIG-3

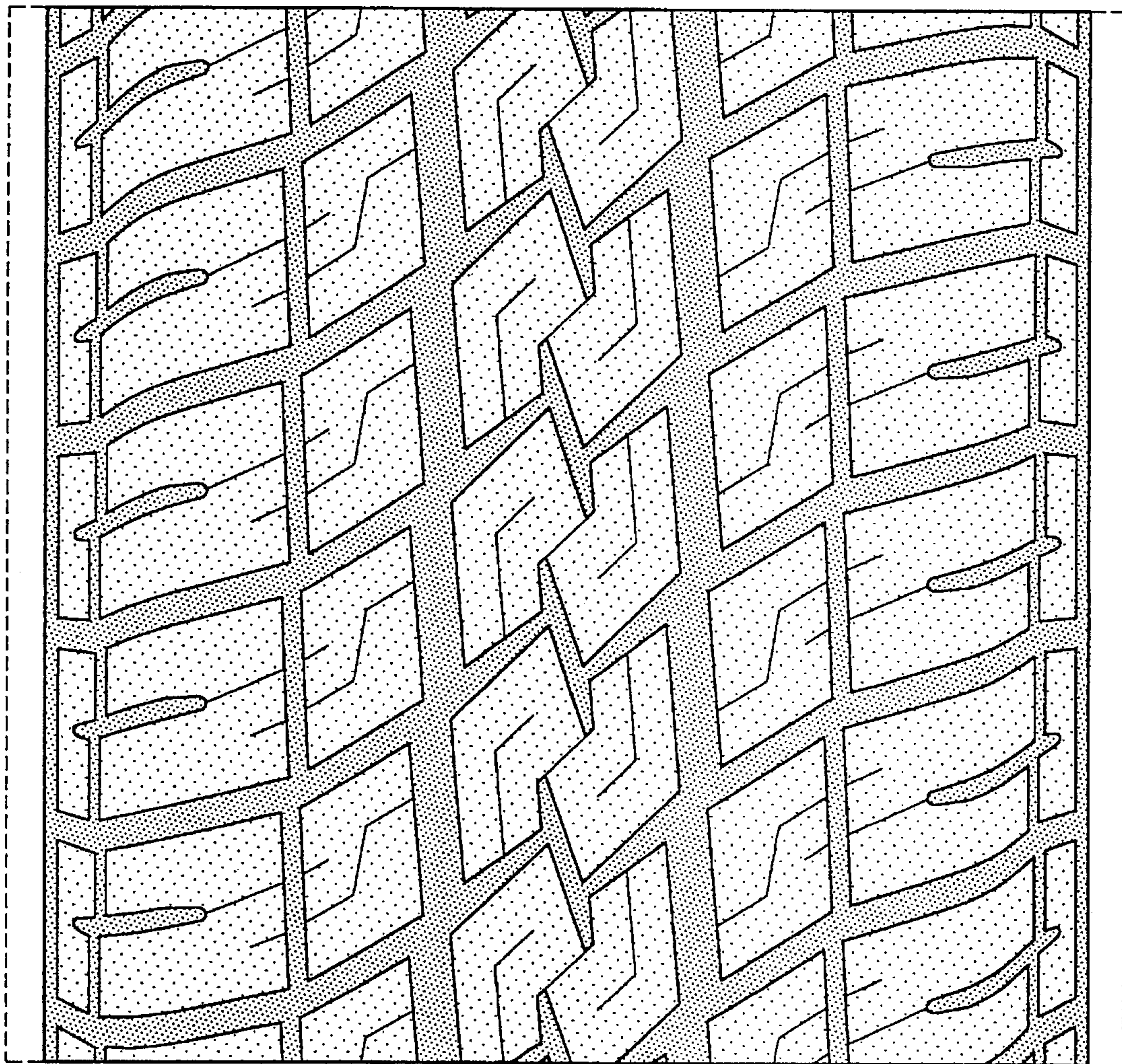


FIG-4