



US00D368878S

# United States Patent [19] Holm

[11] Patent Number: **Des. 368,878**

[45] Date of Patent: **\*\*Apr. 16, 1996**

[54] **PLANTER SUPPORT**

[75] Inventor: **Daniel B. Holm**, Oregon City, Oreg.

[73] Assignee: **Nordic Homes**, Oregon City, Oreg.

[\*\*] Term: **14 Years**

[21] Appl. No.: **31,343**

[22] Filed: **Nov. 23, 1994**

[52] U.S. Cl. .... **D11/164**

[58] Field of Search ..... **D11/164; 47/23, 47/24, 25, 33, 39, 39 P, 71**

[56] **References Cited**

**U.S. PATENT DOCUMENTS**

D. 348,126	6/1994	Proulx	.....	D32/25
779,924	1/1905	Gommel	.....	47/39 P X
2,680,871	6/1954	Gullholm	.....	47/71 X
2,782,561	2/1957	Smith	.....	47/25
3,073,063	1/1963	Schumm	.....	47/55
5,309,670	5/1994	Bates	.....	47/71

**FOREIGN PATENT DOCUMENTS**

743142	5/1933	France	.....	47/39 P
543387	of 1932	Germany	.....	47/71
420273	11/1934	United Kingdom	.....	47/39 P

*Primary Examiner*—Alan P. Douglas  
*Assistant Examiner*—Cathron B. Matta  
*Attorney, Agent, or Firm*—Kolisich, Hartwell, Dickinson, McCormack, & Heuser

[57] **CLAIM**

The ornamental design for a planter support, as shown and described.

**DESCRIPTION**

FIG. 1 is a top plan view of a planter support showing my new design;

FIG. 2 is a bottom plan view thereof shown on about the same scale as FIG. 1;

FIG. 3 is an isometric view thereof, shown on a slightly larger scale than FIG. 1;

FIG. 4 is an elevation thereof, shown on about the same scale as FIG. 1;

FIG. 5 is a top plan view of a second embodiment of my invention, shown on about the same scale as FIG. 1;

FIG. 6 is a bottom plan view of the embodiment shown in FIG. 5, shown on about the same scale as FIG. 5;

FIG. 7 is an isometric view of the embodiment shown in FIG. 5, shown on a slightly larger scale than FIG. 5;

FIG. 8 is an elevation of the embodiment shown in FIG. 5, shown on about the same scale as FIG. 5;

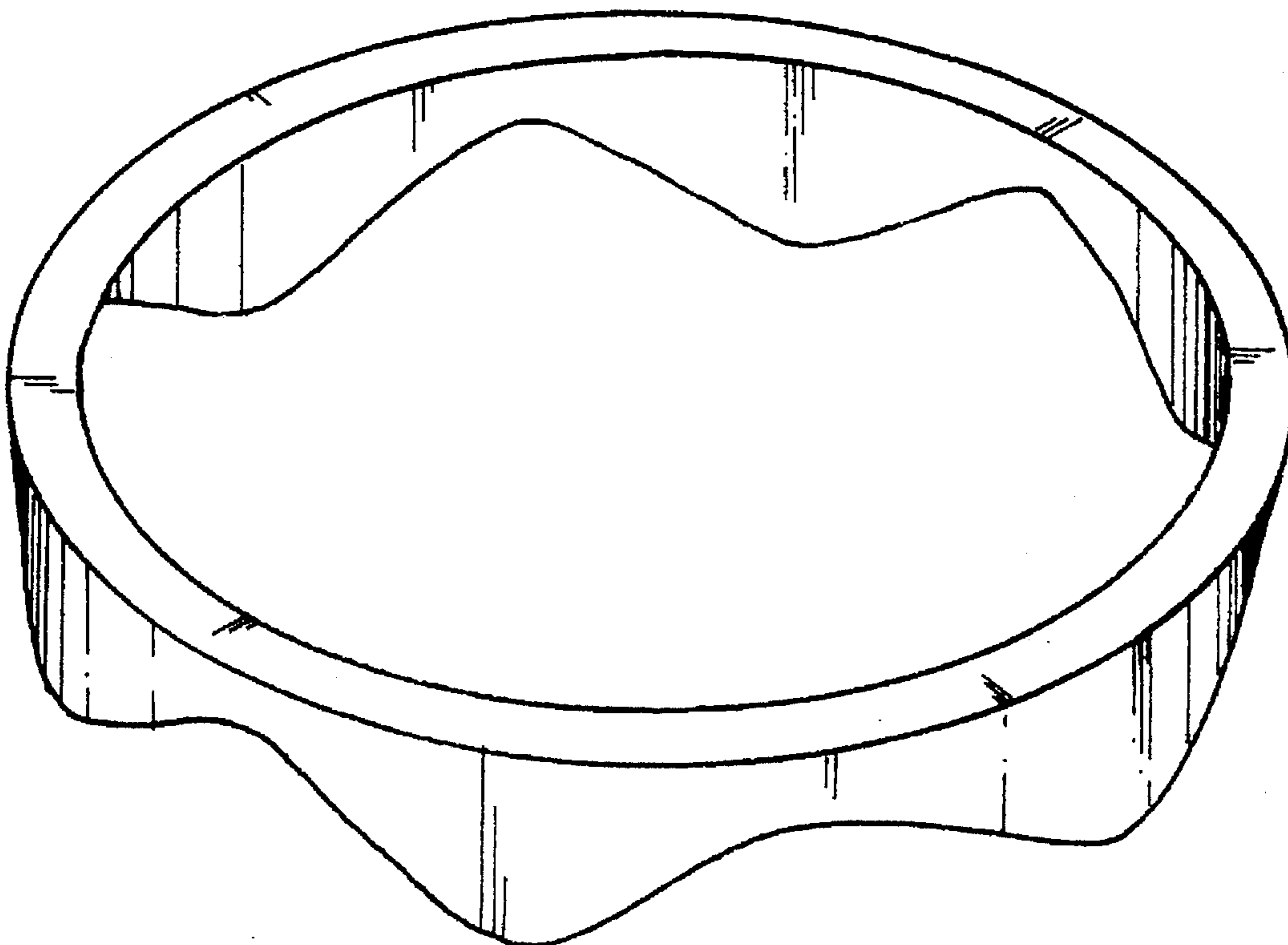
FIG. 9 is a top plan view of a third embodiment of my invention, shown on about the same scale as FIG. 1;

FIG. 10 is a bottom plan view of the embodiment shown in FIG. 9, shown on about the same scale as FIG. 9;

FIG. 11 is an isometric view of the embodiment shown in FIG. 9, shown on a slightly larger scale than FIG. 9; and,

FIG. 12 is an elevation of the embodiment shown in FIG. 9, shown on about the same scale as FIG. 9.

**1 Claim, 3 Drawing Sheets**



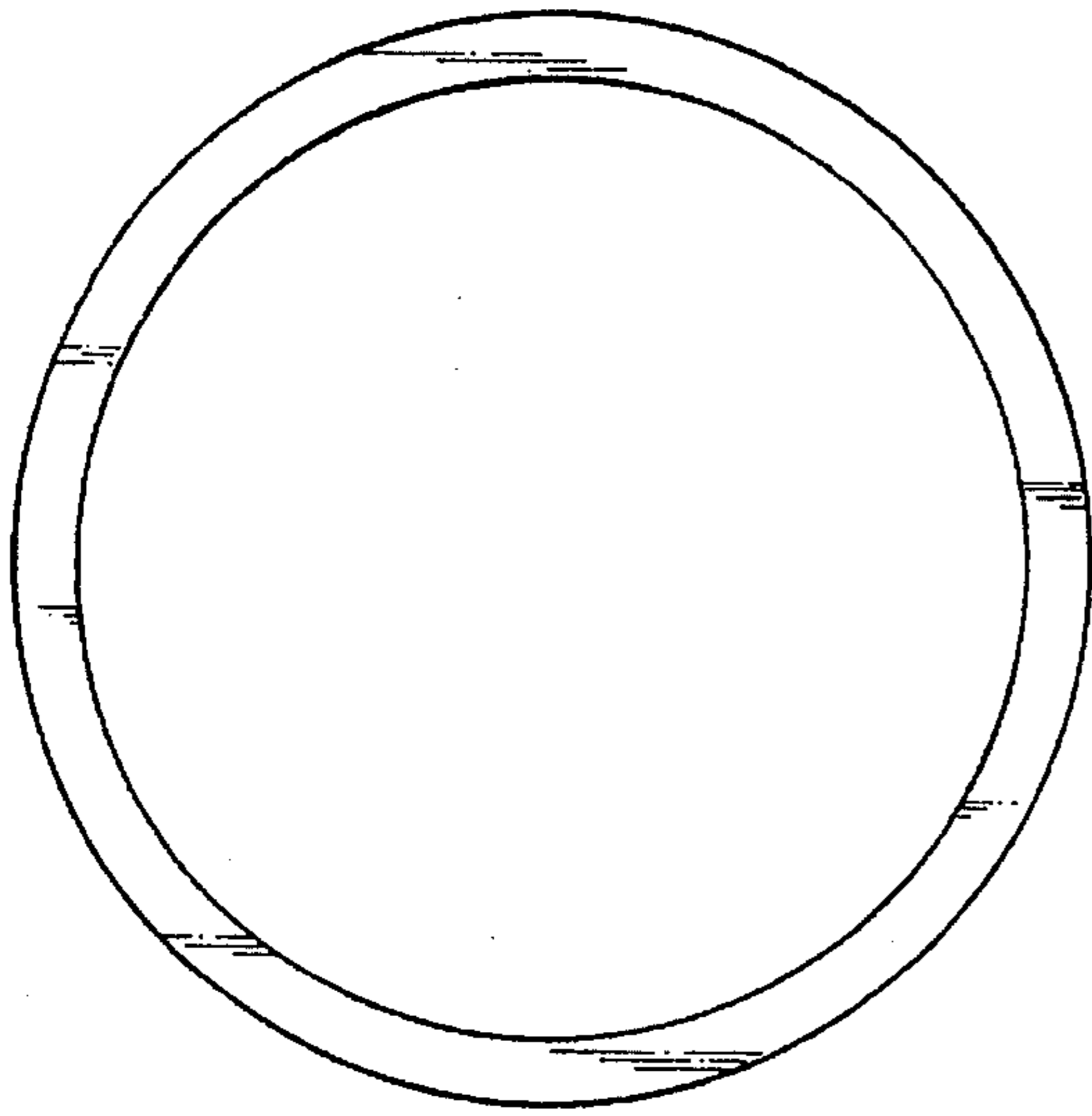


FIG. 1

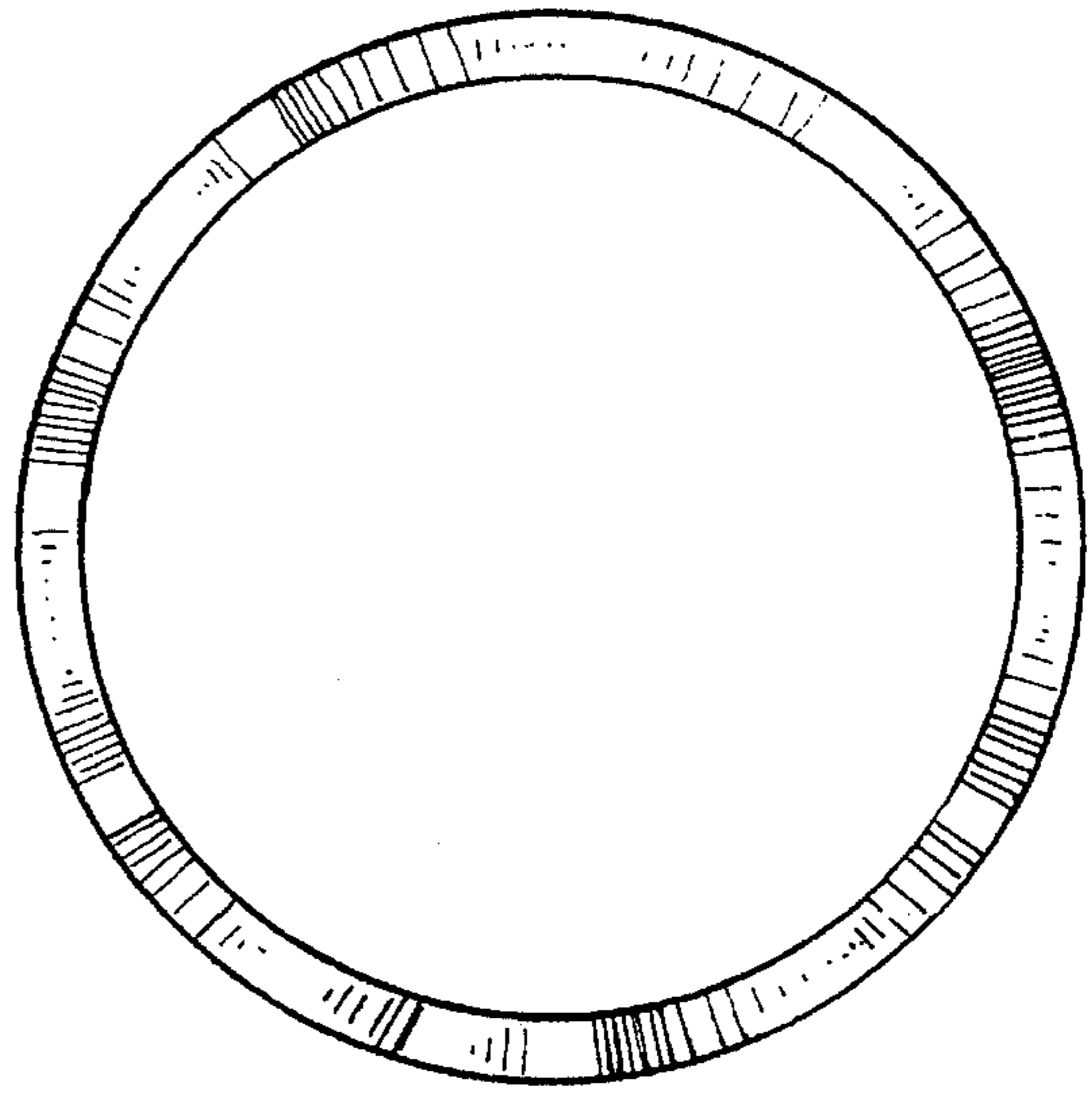


FIG. 2

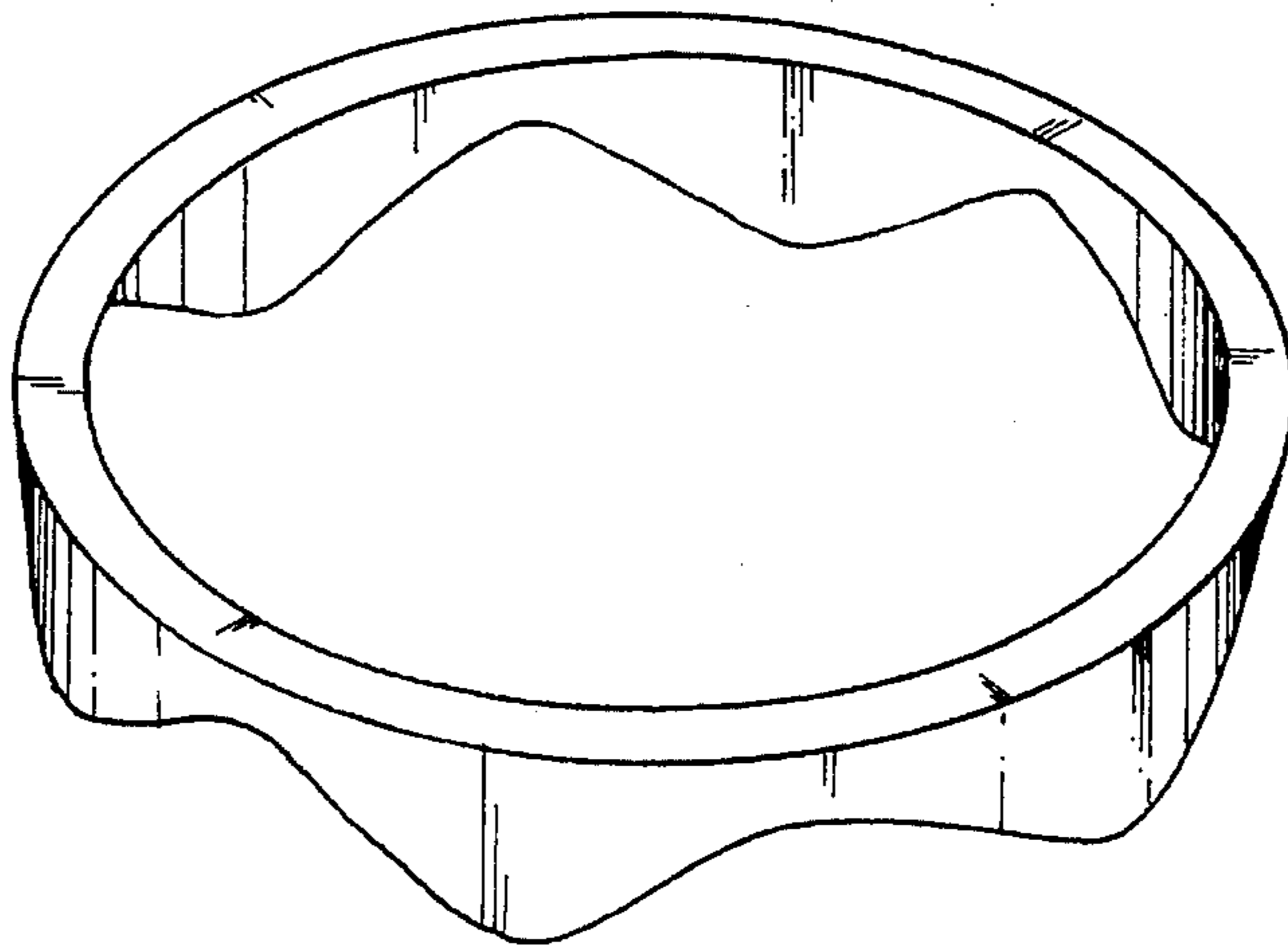


FIG. 3

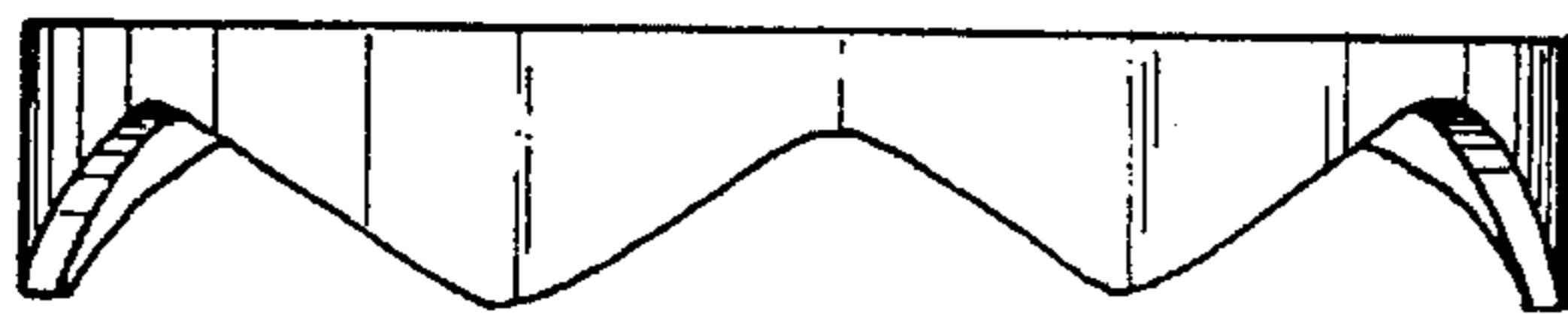


FIG. 4

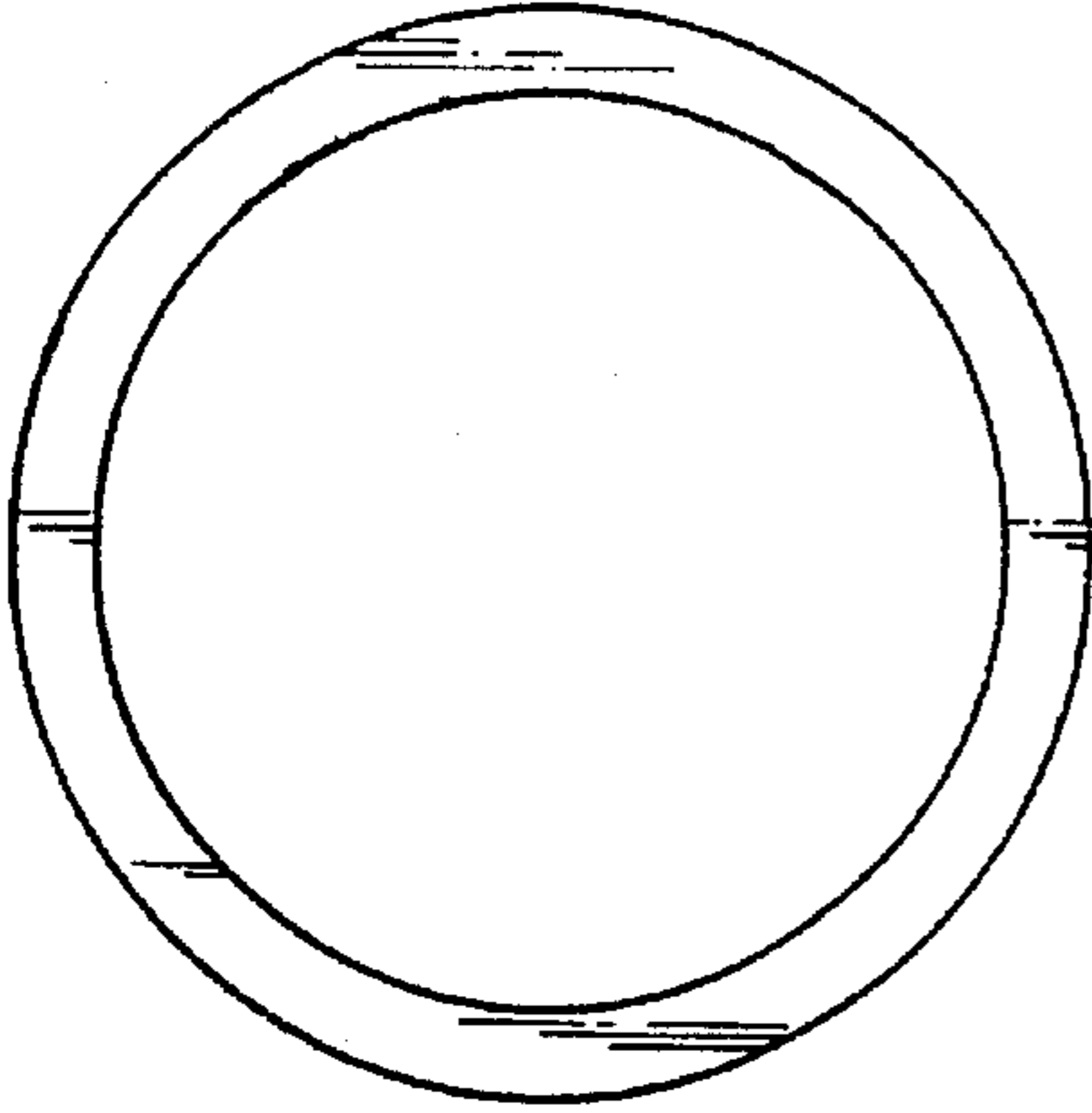


FIG. 5

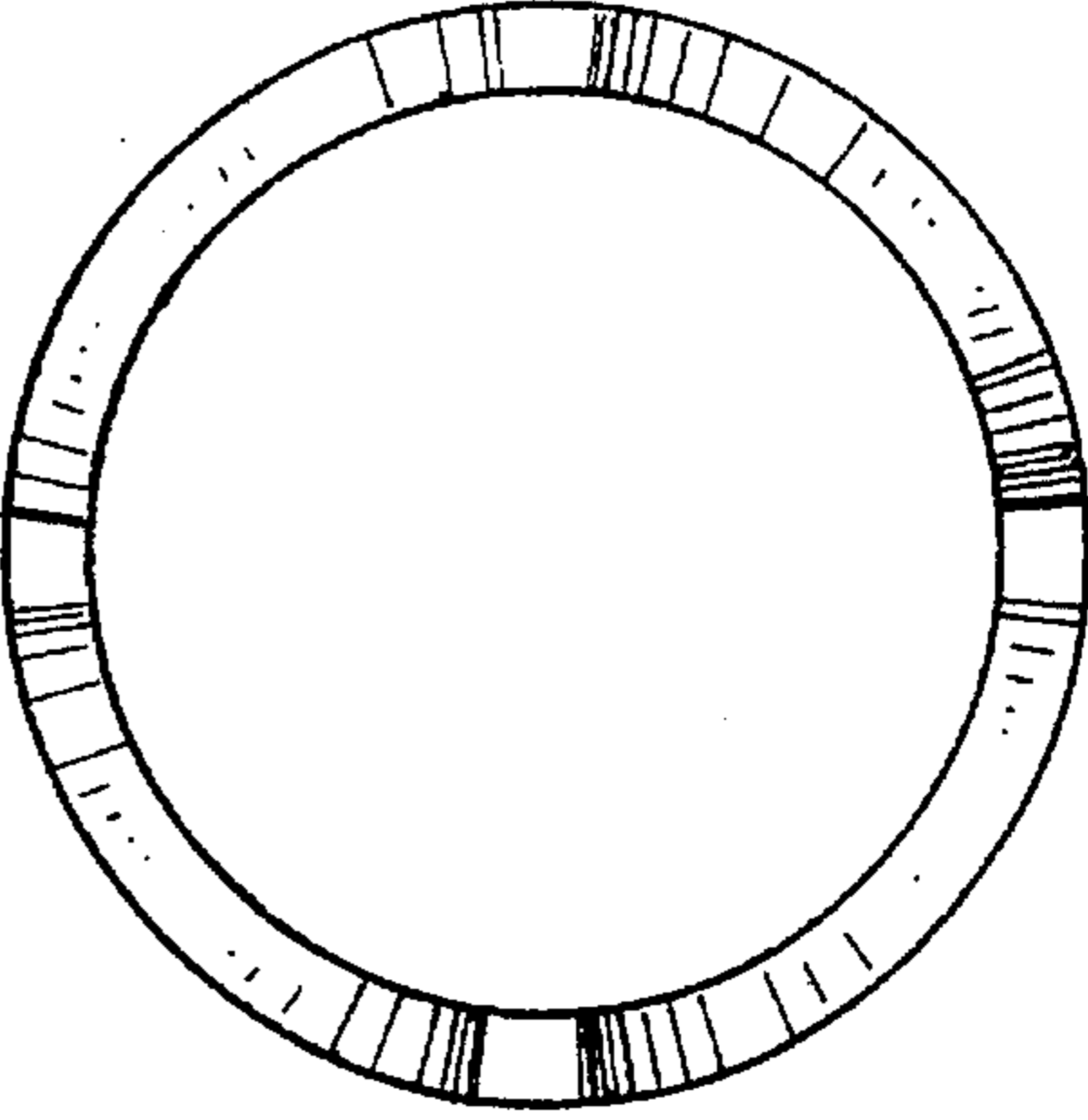


FIG. 6

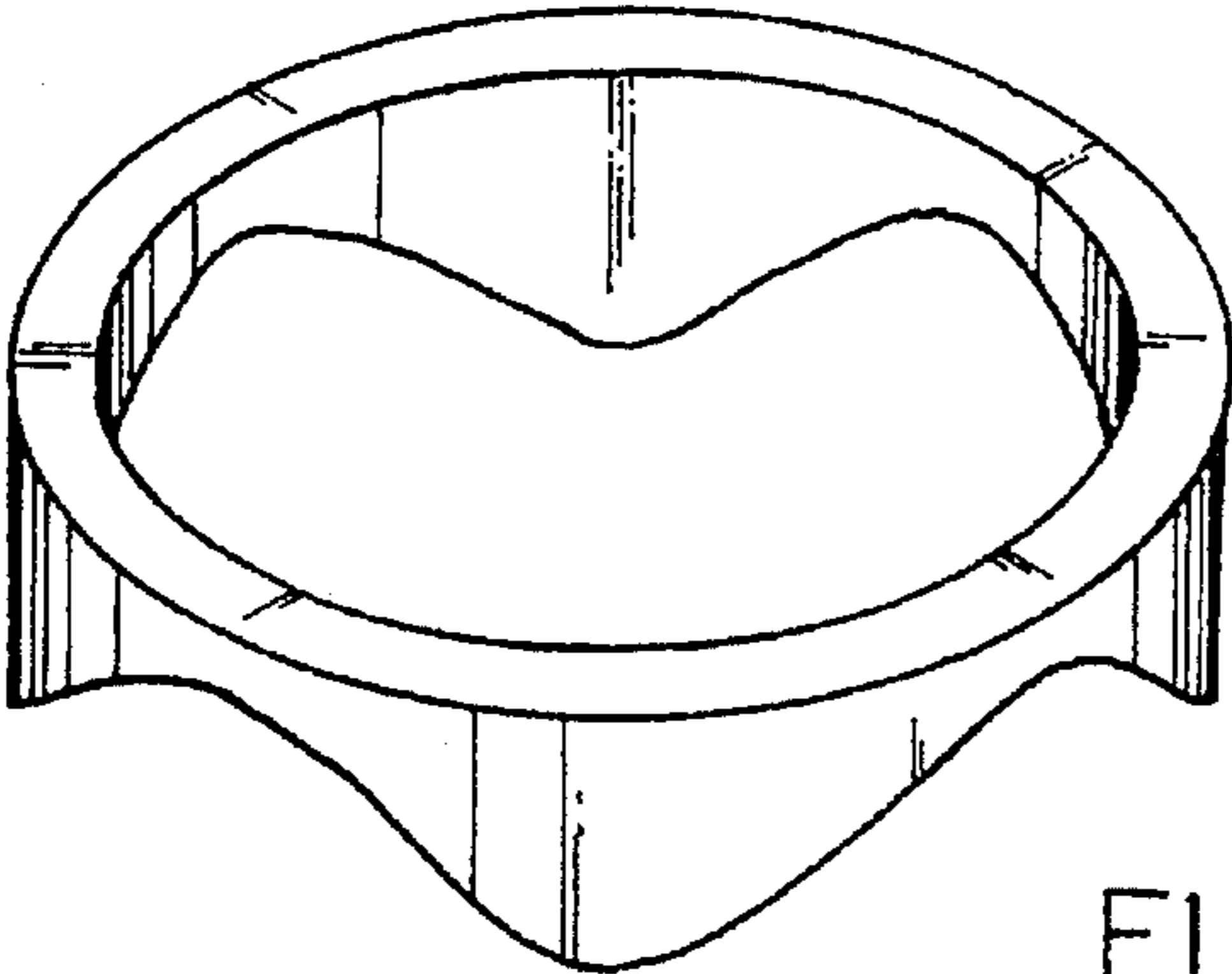


FIG. 7

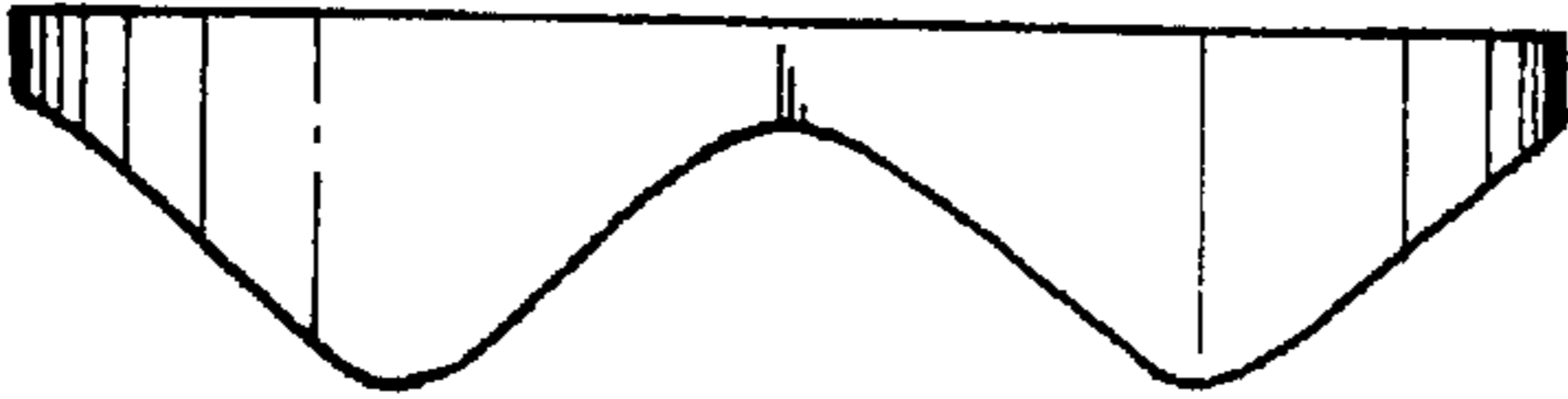


FIG. 8

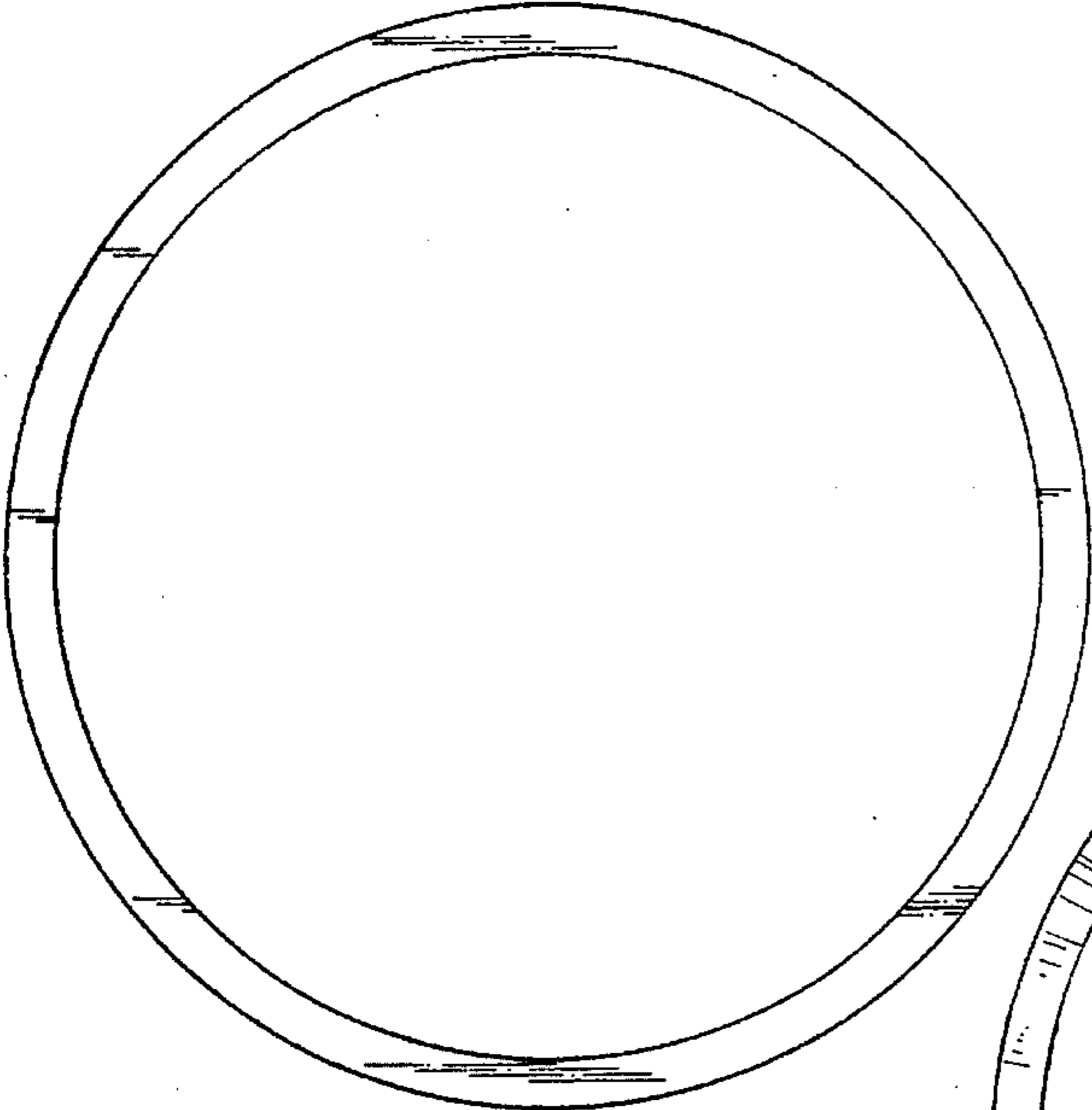


FIG. 9

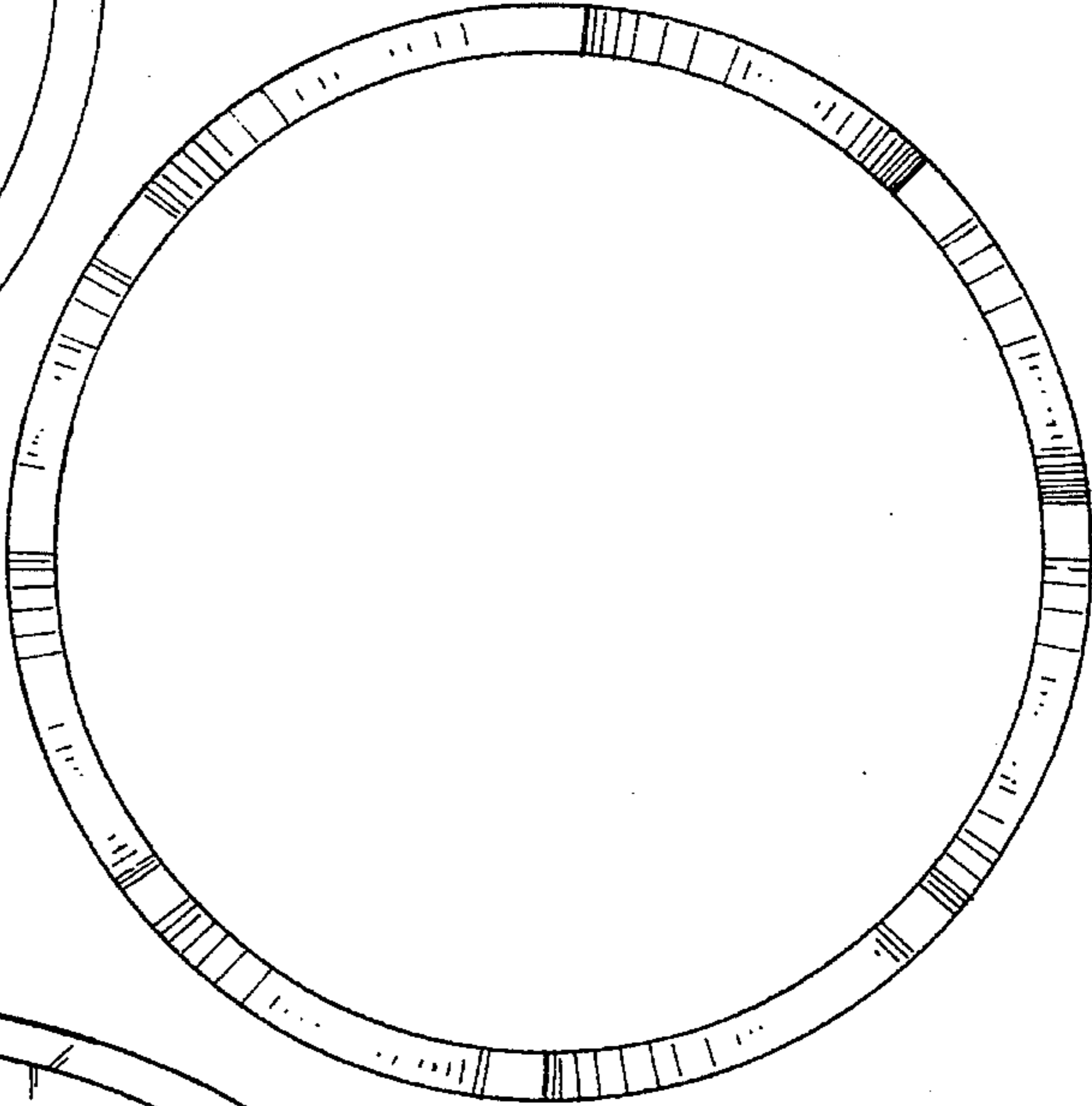


FIG. 10

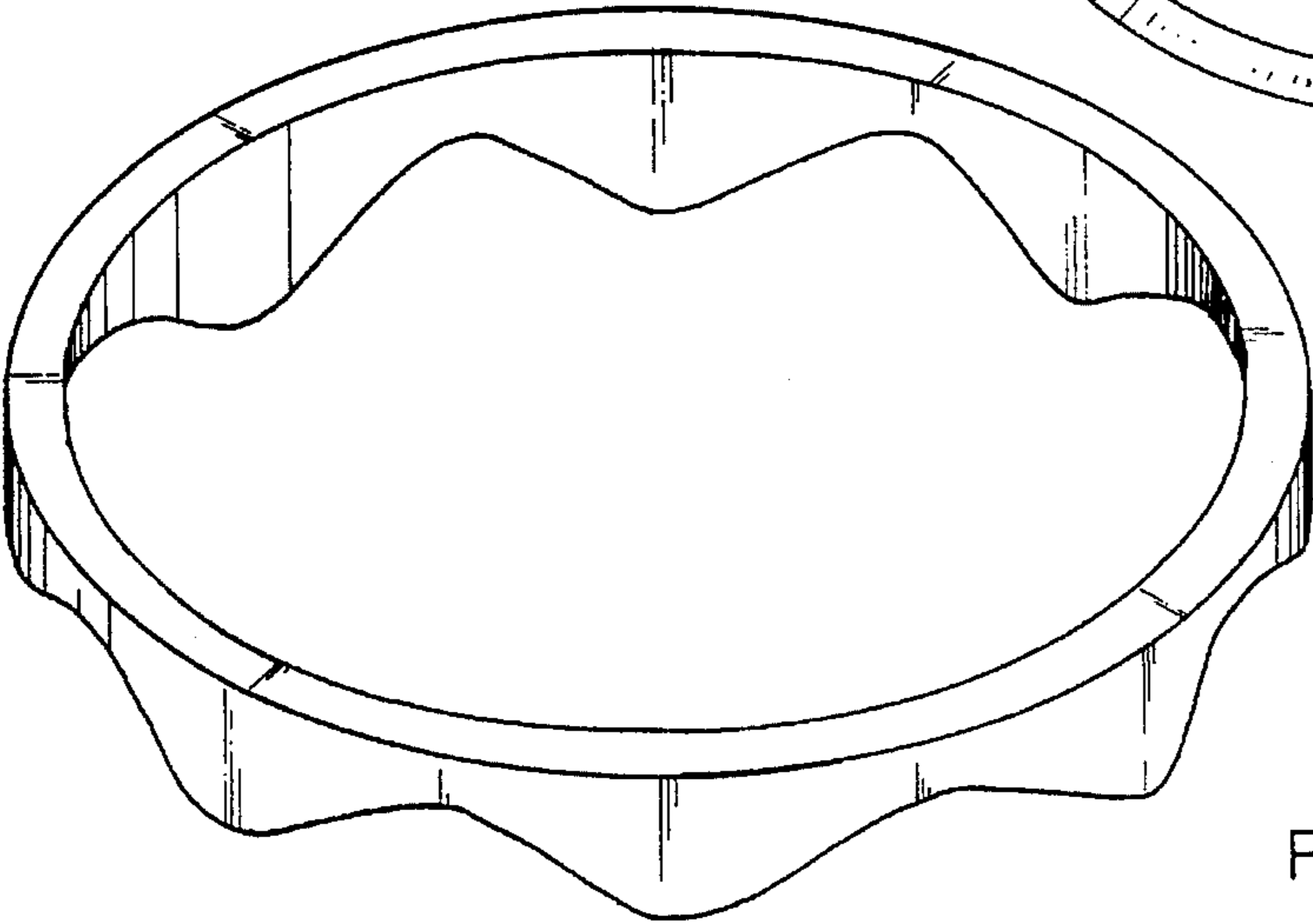


FIG. 11

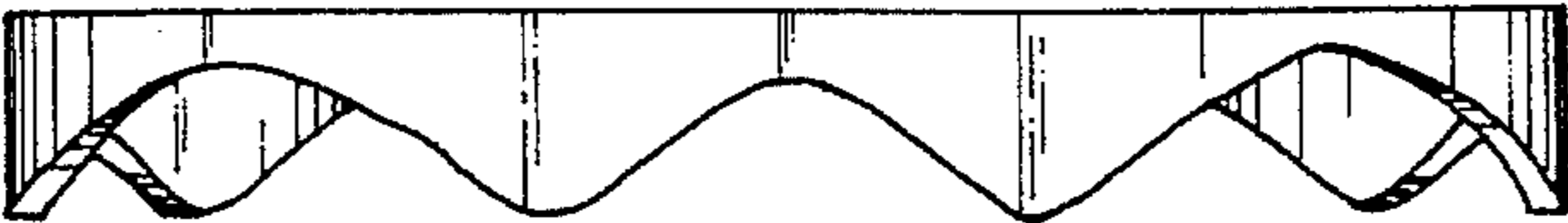


FIG. 12