



US00D368875S

United States Patent [19]

[11] Patent Number: **Des. 368,875**

Weder et al.

[45] Date of Patent: ***** Apr. 16, 1996**

[54] **FLOWER POT COVER**

5,076,011 12/1991 Stehouwer 47/72

[75] Inventors: **Donald E. Weder; Joseph G. Straeter,**
both of Highland, Ill.

FOREIGN PATENT DOCUMENTS

2489126 3/1982 France .
2603159 4/1988 France .

[73] Assignee: **Highland Supply Corporation,**
Highland, Ill.

OTHER PUBLICATIONS

[*] Notice: The portion of the term of this patent
subsequent to Nov. 14, 2009, has been
disclaimed.

Exhibit A—Speed Cover® Brochure—The Simple Solution
..., ©1989.

[**] Term: **14 Years**

Primary Examiner—Jeffrey Asch
Attorney, Agent, or Firm—Dunlap & Coddling

[21] Appl. No.: **6,101**

[57] CLAIM

[22] Filed: **Mar. 19, 1993**

The ornamental design for a flower pot cover, as shown and
described.

Related U.S. Application Data

DESCRIPTION

[63] Continuation-in-part of Ser. No. 782,237, Oct. 18, 1991, Pat.
No. Des. 349,076, which is a continuation-in-part of Ser. No.
617,454, Nov. 21, 1990, abandoned, Ser. No. 411,249, Sep.
22, 1989, Pat. No. Des. 358,113, Ser. No. 411,247, Sep. 22,
1989, and Ser. No. 411,245, Sep. 22, 1989.

FIG. 1 is a perspective view of our new flower pot cover
design;

[52] **U.S. Cl.** **D11/164; D11/143**

FIG. 2 is a side elevational view thereof;

[58] **Field of Search** D11/143, 149,
D11/152-156, 164, 89, 90; 47/66, 72; 206/423;
215/100.5; 229/1.5 R, 1.5 B, 4.5, 87.01,
922, 930, 108, 108.1, 109, 110; 428/27,
35.1, 24, 542.6; D9/346, 428-431; D27/102,
133; D26/128-136; D19/96; D7/540, 584,
586, 587, 354

FIG. 3 is a top plan view thereof;

FIG. 4 is a bottom plan view thereof;

FIG. 5 is a side elevational view of the design of FIG. 1, the
only difference being in the horizontal angle of the skirt;

[56] References Cited

U.S. PATENT DOCUMENTS

D. 239,192 3/1976 Wiles et al. D35/3 A
D. 254,659 4/1980 Karotseris D11/143
D. 316,837 5/1991 Weder et al. D11/164
D. 322,403 12/1991 Eaton D9/429
D. 324,659 3/1992 Stehouwer D11/164
D. 349,076 7/1994 Weder et al. D11/164
1,951,642 3/1934 Augustin et al. 47/34
2,355,559 8/1944 Renner 229/8
2,827,217 3/1958 Clement 229/1.5 R
3,443,741 5/1969 Stockdale D9/431 X
4,043,077 8/1977 Stonehocker 47/66
4,712,725 12/1988 Moore 229/8

FIG. 6 is a side elevational view of the design of FIG. 1, the
only difference being in the near vertical angle of the skirt;

FIG. 7 is a side elevational view of the design of FIG. 1, the
only difference being in the downward angle of the skirt;

FIG. 8 is a side elevational view of a second embodiment of
the design of FIG. 1, the only difference being in the height
of the base;

FIG. 9 is a side elevational view of a third embodiment of
the design of FIG. 1, the only difference being in the height
of the base;

FIG. 10 is a top plan view of a fourth embodiment of the
design of FIG. 1, the only difference being in the size of the
skirt;

FIG. 11 is a top plan view of a fifth embodiment of the
design of FIG. 1, the only difference being in the size of the
skirt;

FIG. 12 is a perspective view of a sixth embodiment of our
new flower pot cover design;

FIG. 13 is a side elevational view thereof;

FIG. 14 is a top plan view thereof;

FIG. 15 is a bottom plan view thereof;

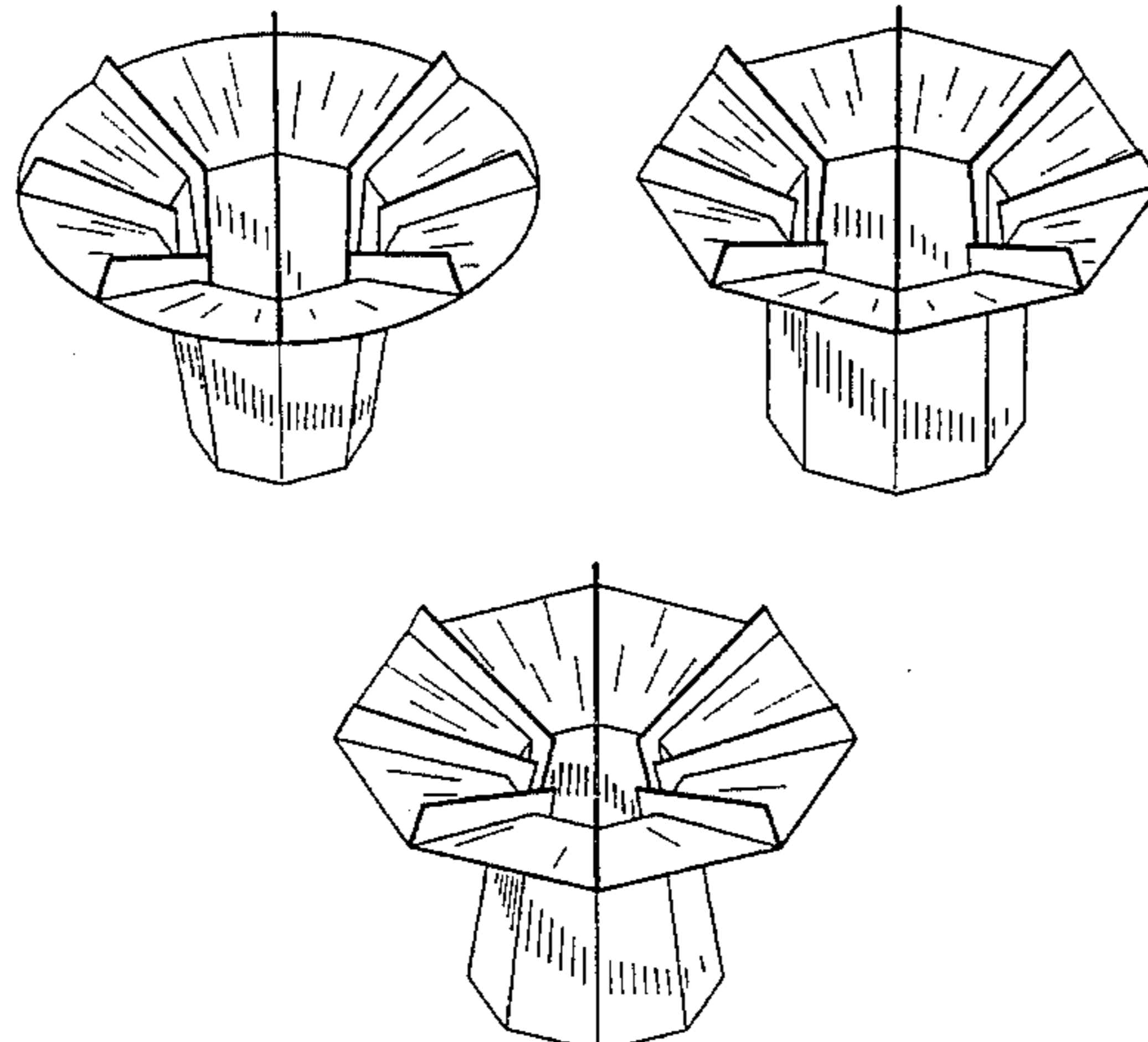


FIG. 16 is a side elevational view of the design of FIG. 12, the only difference being in the horizontal angle of the skirt; FIG. 17 is a side elevational view of the design of FIG. 12, the only difference being in the near vertical angle of the skirt;

FIG. 18 is a side elevational view of the design of FIG. 12, the only difference being in the downward angle of the skirt; FIG. 19 is a side elevational view of a seventh embodiment of the flower pot cover design of FIG. 12, the only difference being in the height of the base;

FIG. 20 is a side elevational view of an eighth embodiment of the new flower pot cover design of FIG. 12, the only difference being in the height of the base;

FIG. 21 is a top plan view of a ninth embodiment of the flower pot cover design of FIG. 12, the only difference in the size of the skirt;

FIG. 22 is a top plan view of a tenth embodiment of the flower pot cover design of FIG. 12, the only difference being in the size of the skirt;

FIG. 23 is a perspective view of an eleventh embodiment of our new flower pot cover design;

FIG. 24 is a side elevational view thereof;

FIG. 25 is a top plan view thereof;

FIG. 26 is a bottom plan view thereof;

FIG. 27 is a side elevational view of the design of FIG. 23, the only difference being in the horizontal angle of the skirt;

FIG. 28 is a side elevational view of the design of FIG. 23, the only difference being in the near vertical angle of the skirt;

FIG. 29 is a side elevational view of the design of FIG. 23, the only difference being in the downward angle of the skirt;

FIG. 30 is a side elevational view of a twelfth embodiment of the flower pot cover design of FIG. 23, the only difference being in the height of the base;

FIG. 31 is a side elevational view of a thirteenth embodiment of the new flower pot cover design of FIG. 23, the only difference being in the height of the base;

FIG. 32 is a top plan view of a fourteenth embodiment of the flower pot cover design of FIG. 23, the only difference being in the size of the skirt;

FIG. 33 is a top plan view of a fifteenth embodiment of the flower pot cover design of FIG. 23, the only difference being in the size of the skirt;

FIG. 34 is a perspective view of a sixteenth embodiment of our new flower pot cover design;

FIG. 35 is a side elevational view thereof;

FIG. 36 is a top plan view thereof;

FIG. 37 is a bottom plan view thereof;

FIG. 38 is a side elevational view of the design of FIG. 34, the only difference being in the horizontal angle of the skirt;

FIG. 39 is a side elevational view of the design of FIG. 34, the only difference being in the near vertical angle of the skirt;

FIG. 40 is a side elevational view of the design of FIG. 34, the only difference being in the downward angle of the skirt;

FIG. 41 is a side elevational view of a seventeenth embodiment of the flower pot cover design of FIG. 34, the only difference being in the height of the base;

FIG. 42 is a side elevational view of an eighteenth embodi-

ment of the new flower pot cover design of FIG. 34, the only difference being in the height of the base;

FIG. 43 is a top plan view of a nineteenth embodiment of the flower pot cover design of FIG. 34, the only difference being in the size of the skirt;

FIG. 44 is a top plan view of a twentieth embodiment of the flower pot cover design of FIG. 34, the only difference being in the size of the skirt;

FIG. 45 is a perspective view of a twenty-first embodiment of our new flower pot cover design;

FIG. 46 is a side elevational view thereof;

FIG. 47 is a top plan view thereof;

FIG. 48 is a bottom plan view thereof;

FIG. 49 is a side elevational view of the design of FIG. 45, the only difference being in the horizontal angle of the skirt;

FIG. 50 is a side elevational view of the design of FIG. 45, the only difference being in the near vertical angle of the skirt;

FIG. 51 is a side elevational view of the design of FIG. 45, the only difference being in the downward angle of the skirt;

FIG. 52 is a side elevational view of a twenty-second embodiment of the flower pot cover design of FIG. 45, the only difference being in the height of the base;

FIG. 53 is a side elevational view of a twenty-third embodiment of the new flower pot cover design of FIG. 45, the only difference being in the height of the base;

FIG. 54 is a top plan view of a twenty-fourth embodiment of the flower pot cover design of FIG. 45, the only difference being in the size of the skirt;

FIG. 55 is a top plan view of a twenty-fifth embodiment of the flower pot cover design of FIG. 45, the only difference being in the size of the skirt;

FIG. 56 is a perspective view of a twenty-sixth embodiment of our new flower pot cover design;

FIG. 57 is a side elevational view thereof;

FIG. 58 is a top plan view thereof;

FIG. 59 is a bottom plan view thereof;

FIG. 60 is a side elevational view of the design of FIG. 56, the only difference being in the horizontal angle of the skirt;

FIG. 61 is a side elevational view of the design of FIG. 56, the only difference being in the near vertical angle of the skirt;

FIG. 62 is a side elevational view of the design of FIG. 56, the only difference being in the downward angle of the skirt;

FIG. 63 is a side elevational view of a twenty-seventh embodiment of the flower pot cover design of FIG. 56, the only difference being in the height of the base;

FIG. 64 is a side elevational view of a twenty-eighth embodiment of the new flower pot cover design of FIG. 56, the only difference being in the height of the base;

FIG. 65 is a top plan view of a twenty-ninth embodiment of the flower pot cover design of FIG. 56, the only difference being in the size of the skirt; and,

FIG. 66 is a top plan view of a thirtieth embodiment of the flower pot cover design of FIG. 56, the only difference being in the size of the skirt.

The flower pot cover has no substantial thickness.

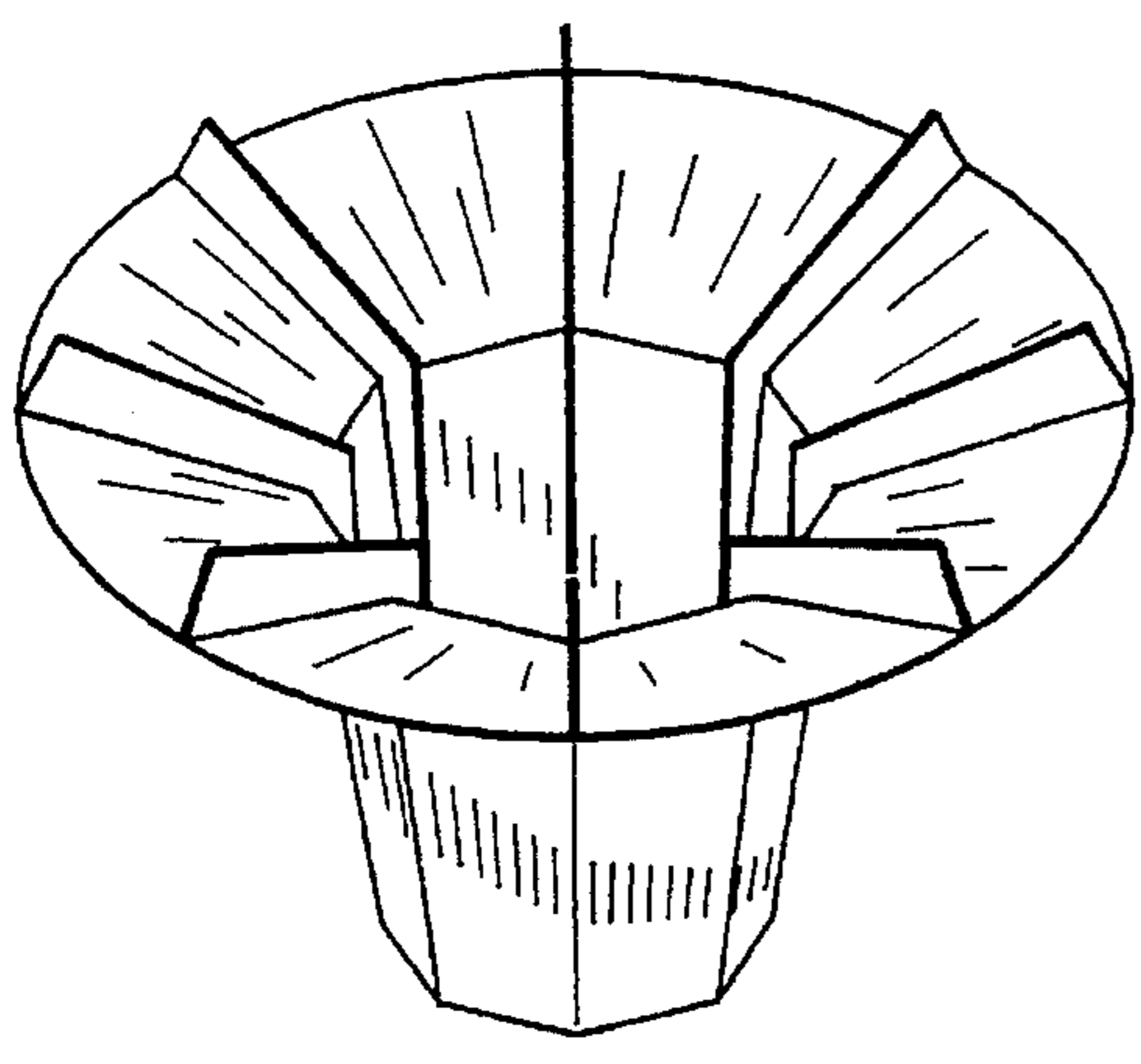


FIG. 1

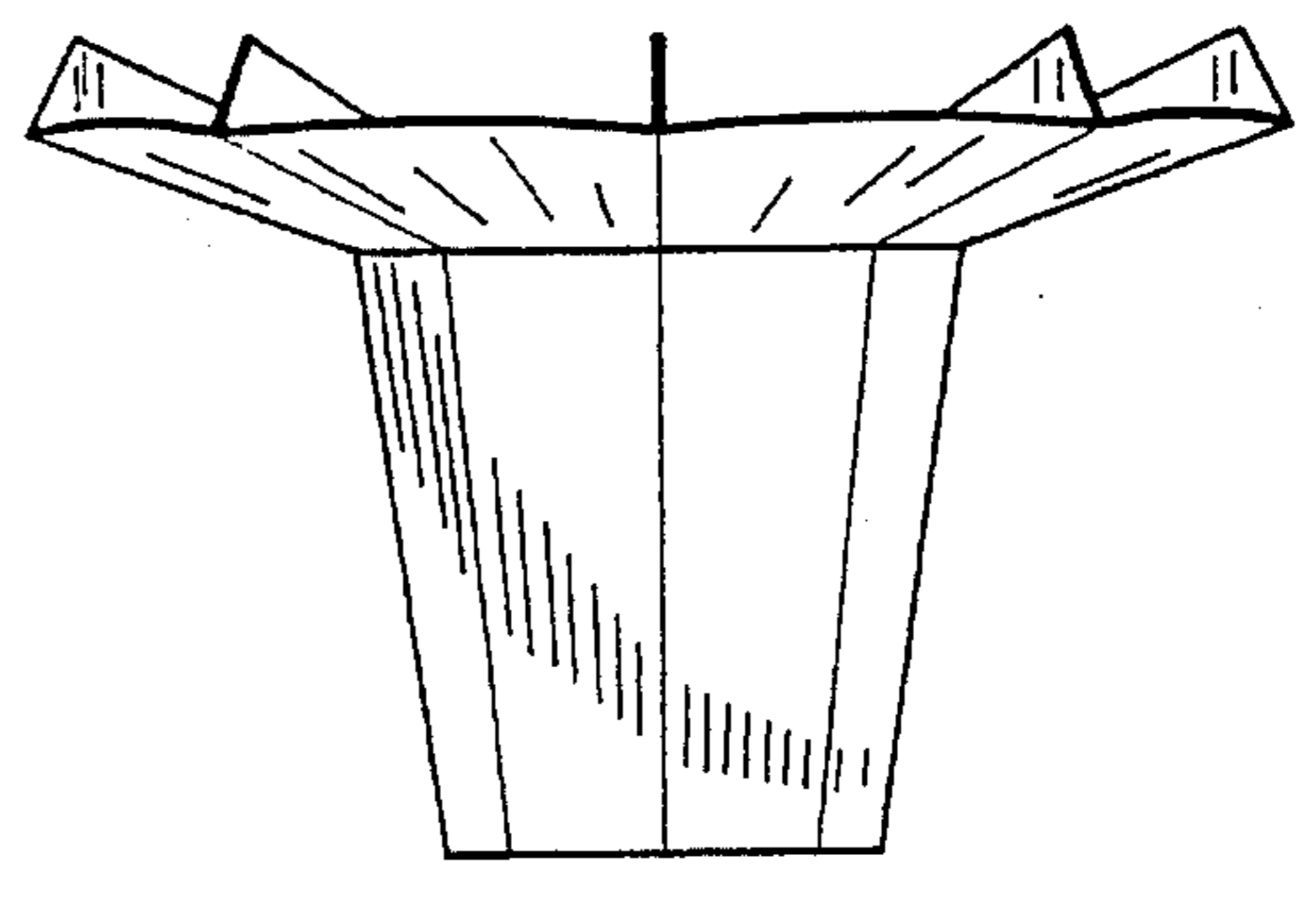


FIG. 2

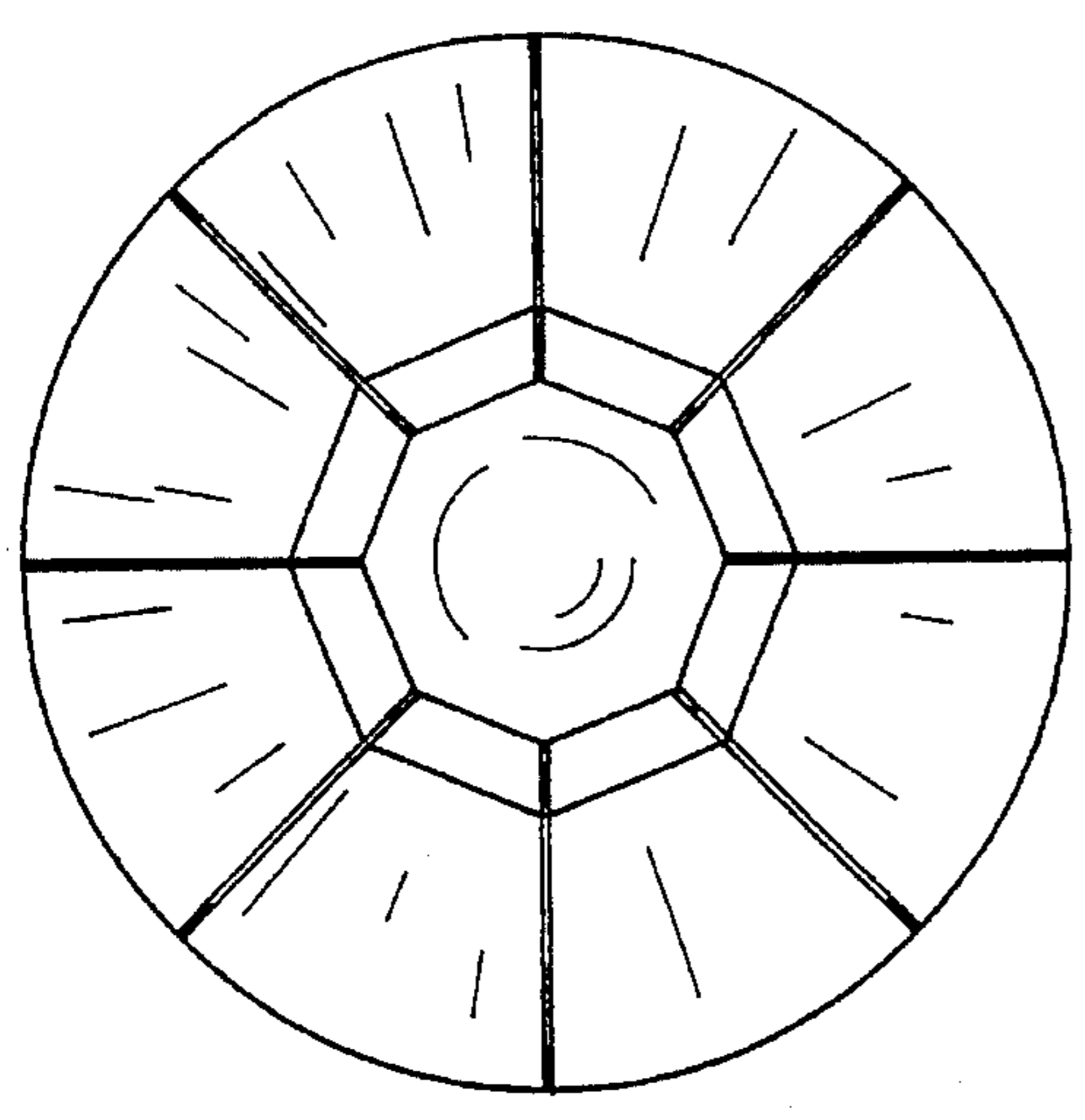


FIG. 3

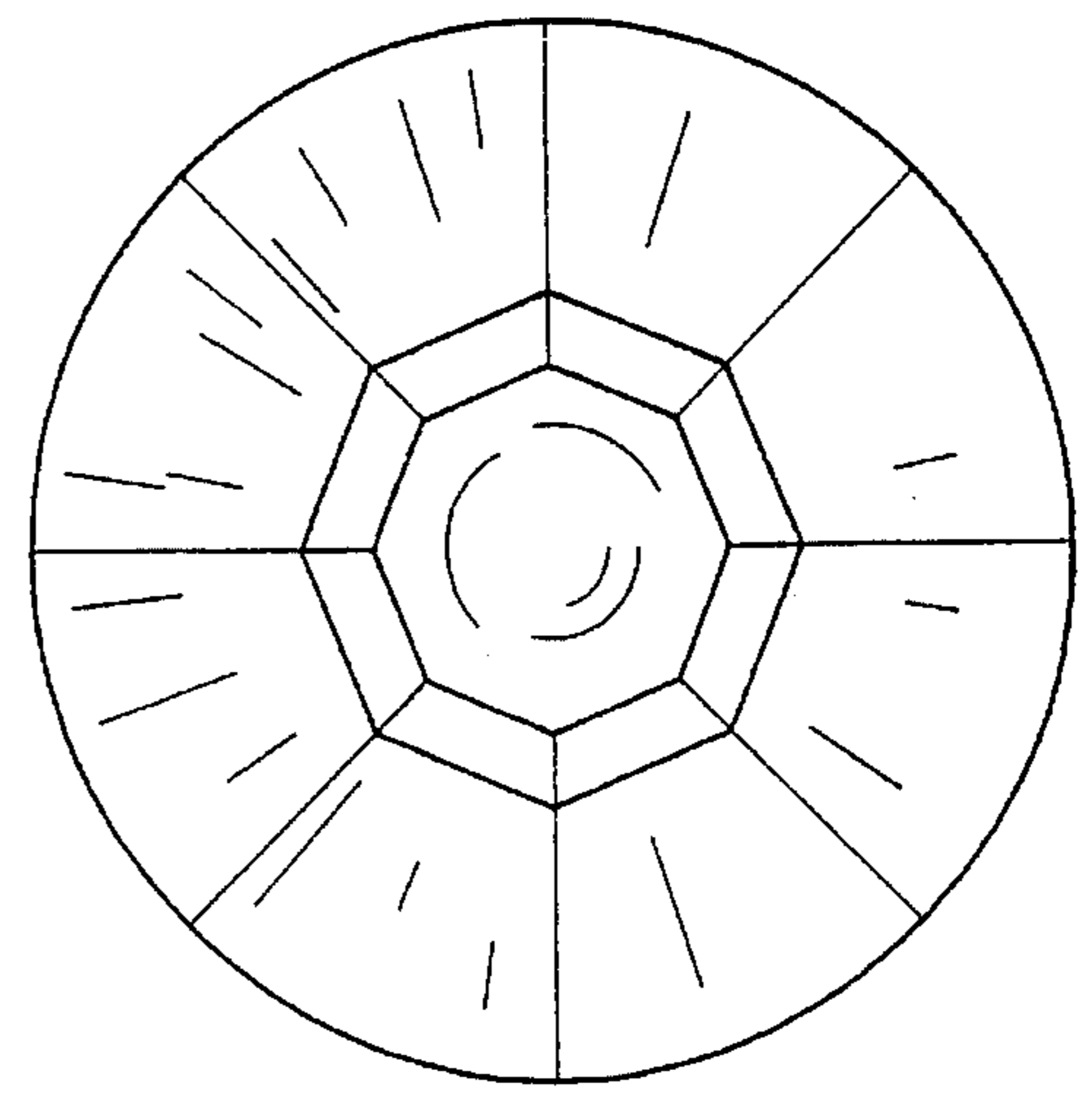


FIG. 4

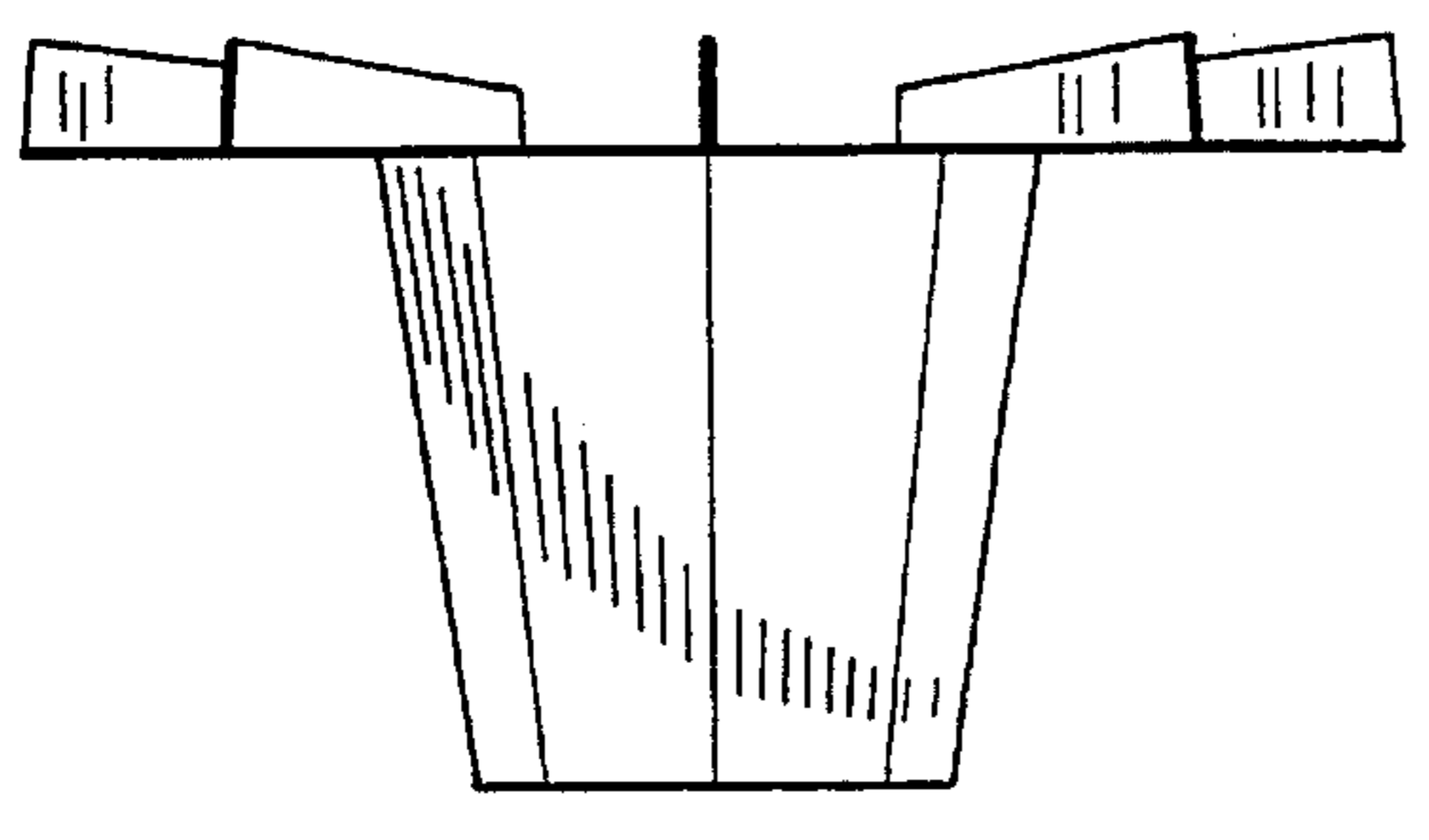


FIG. 5

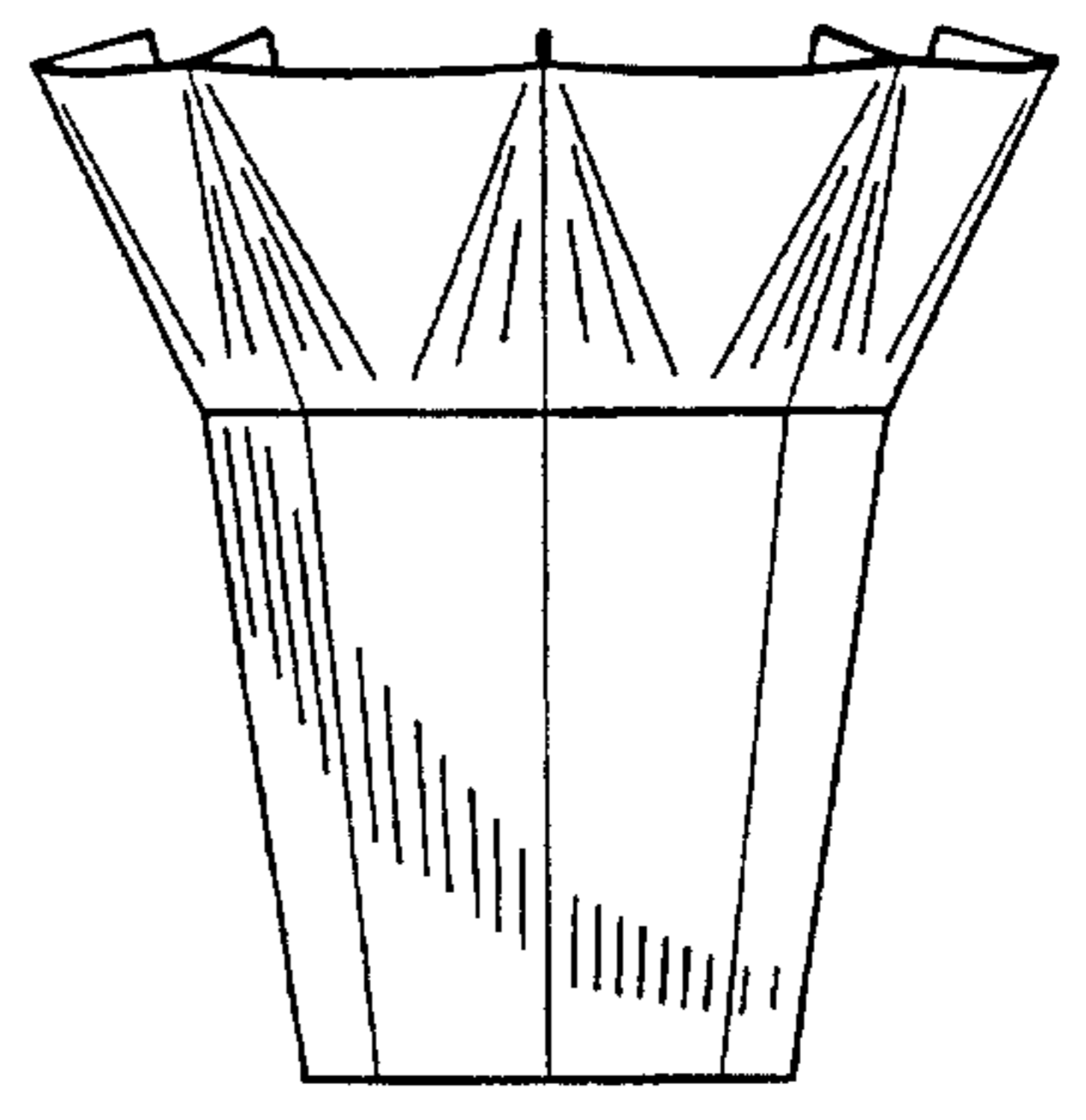


FIG. 6

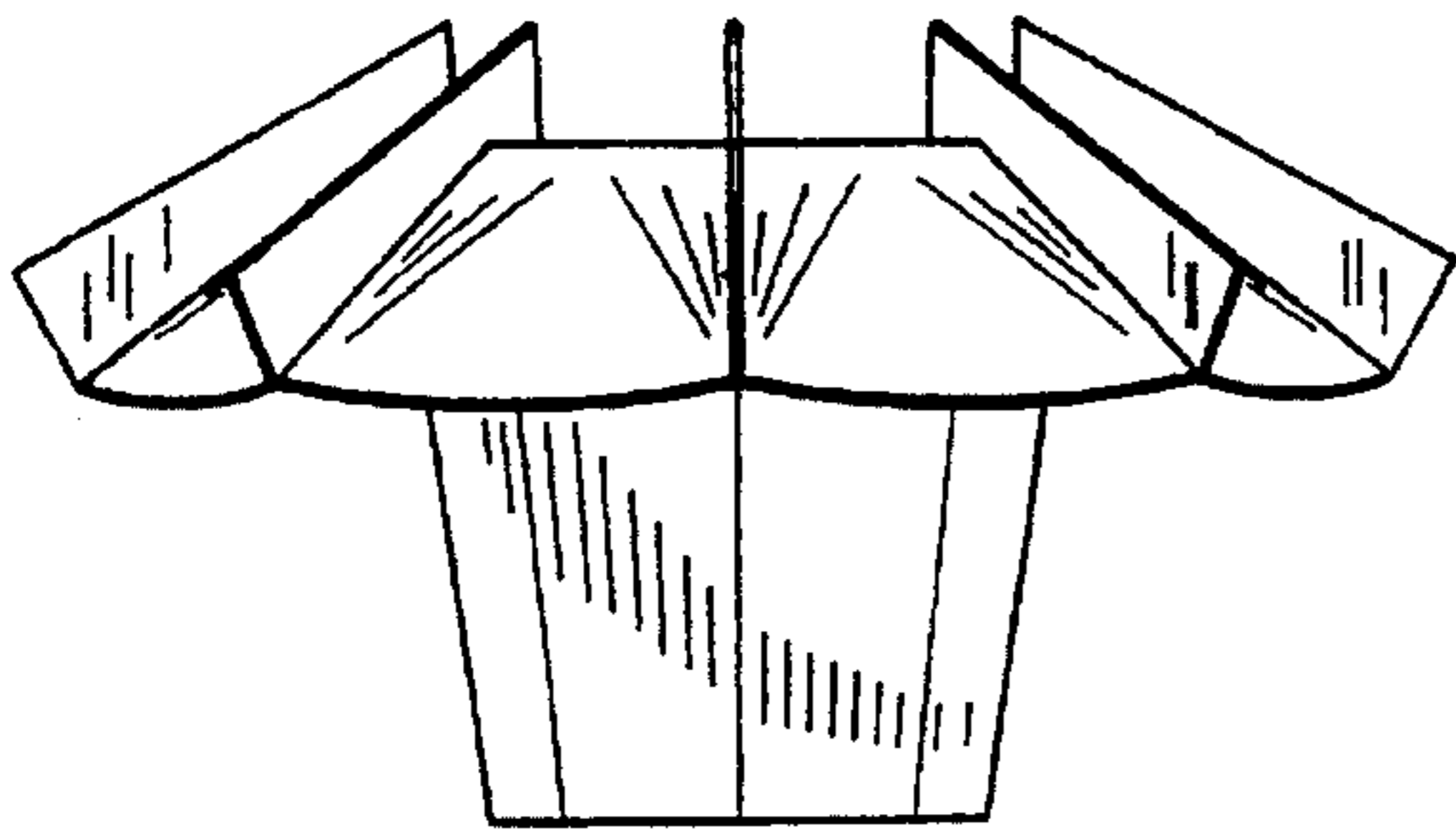


FIG. 2

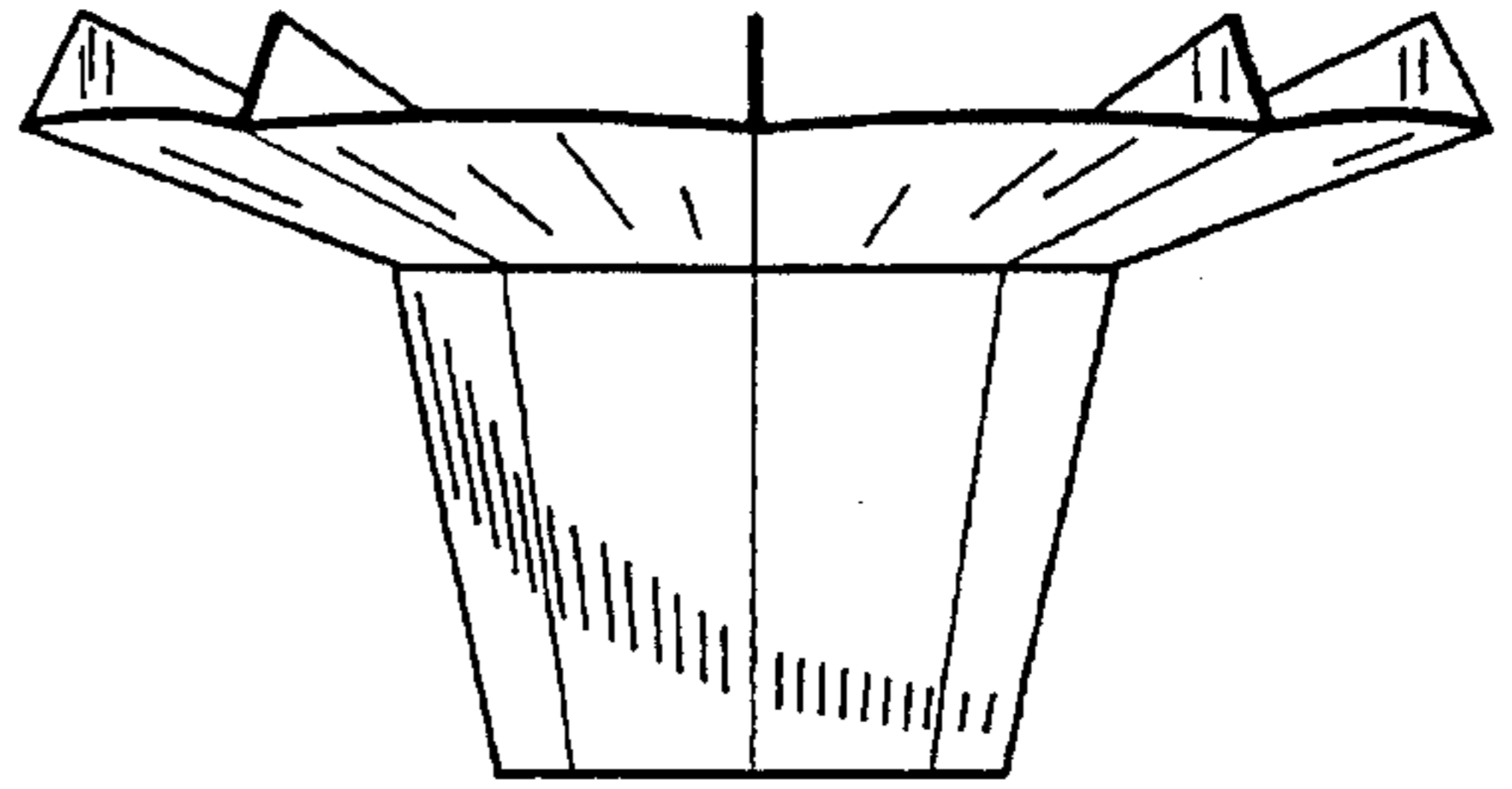


FIG. 3

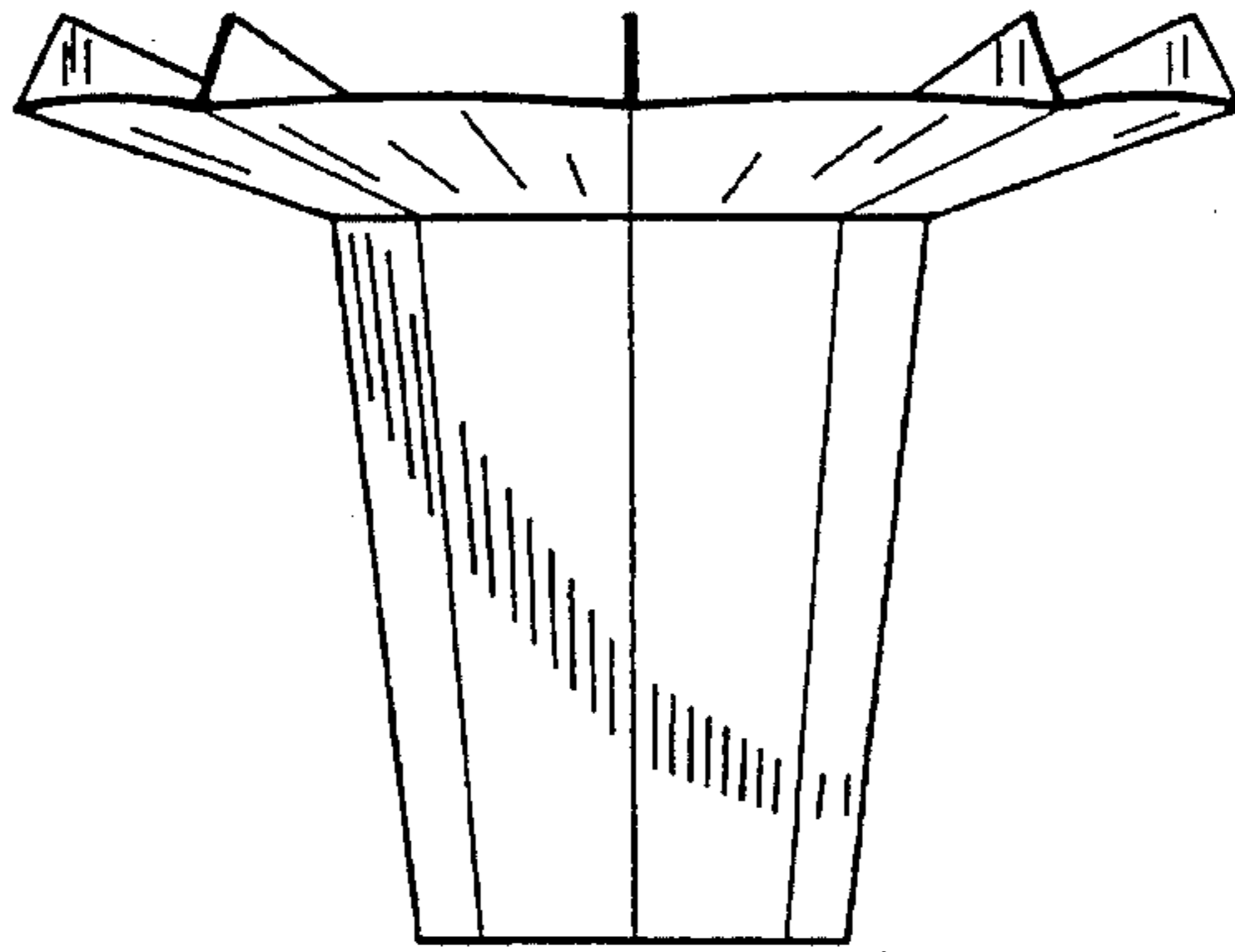


FIG. 4

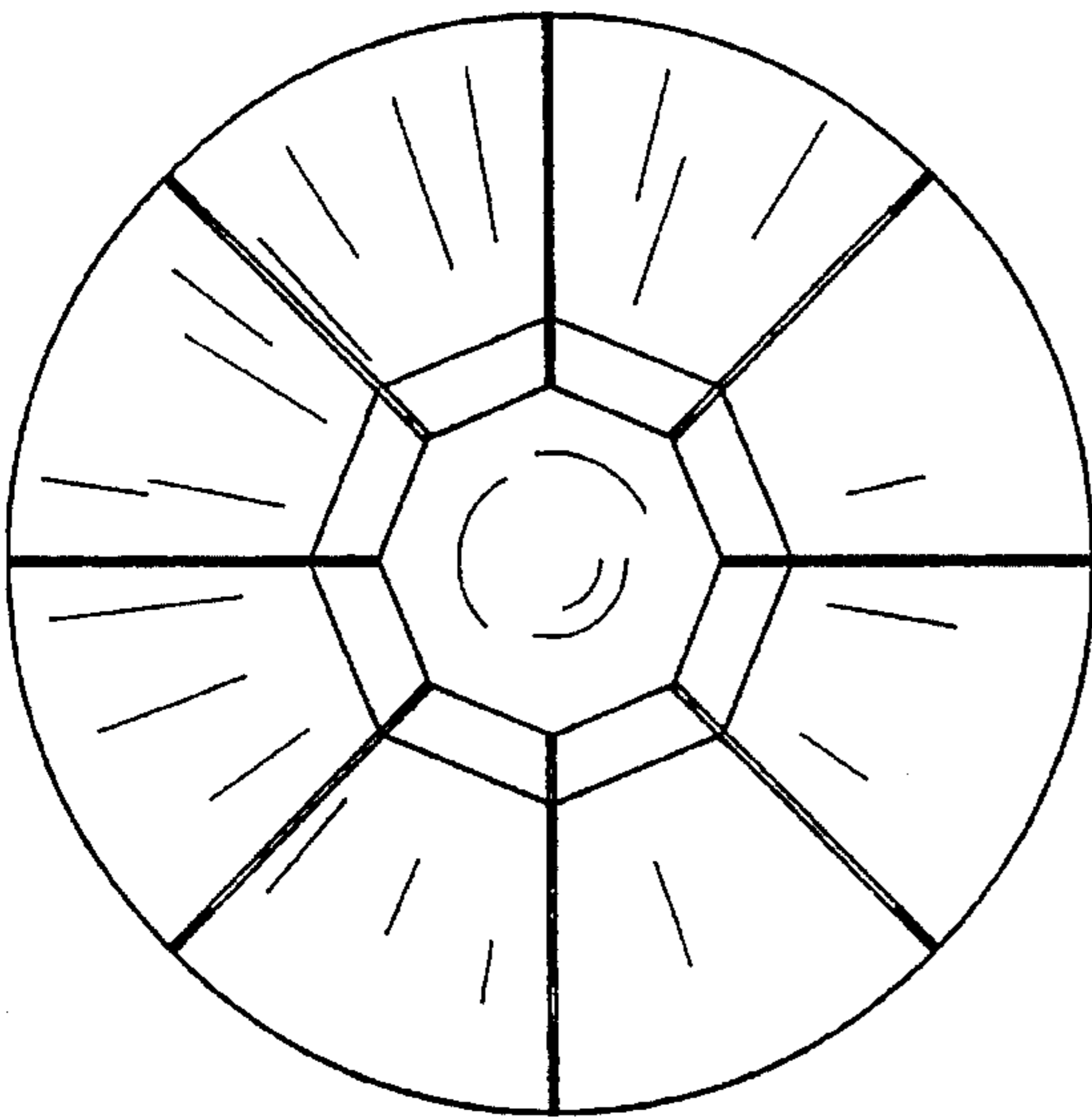


FIG. 10

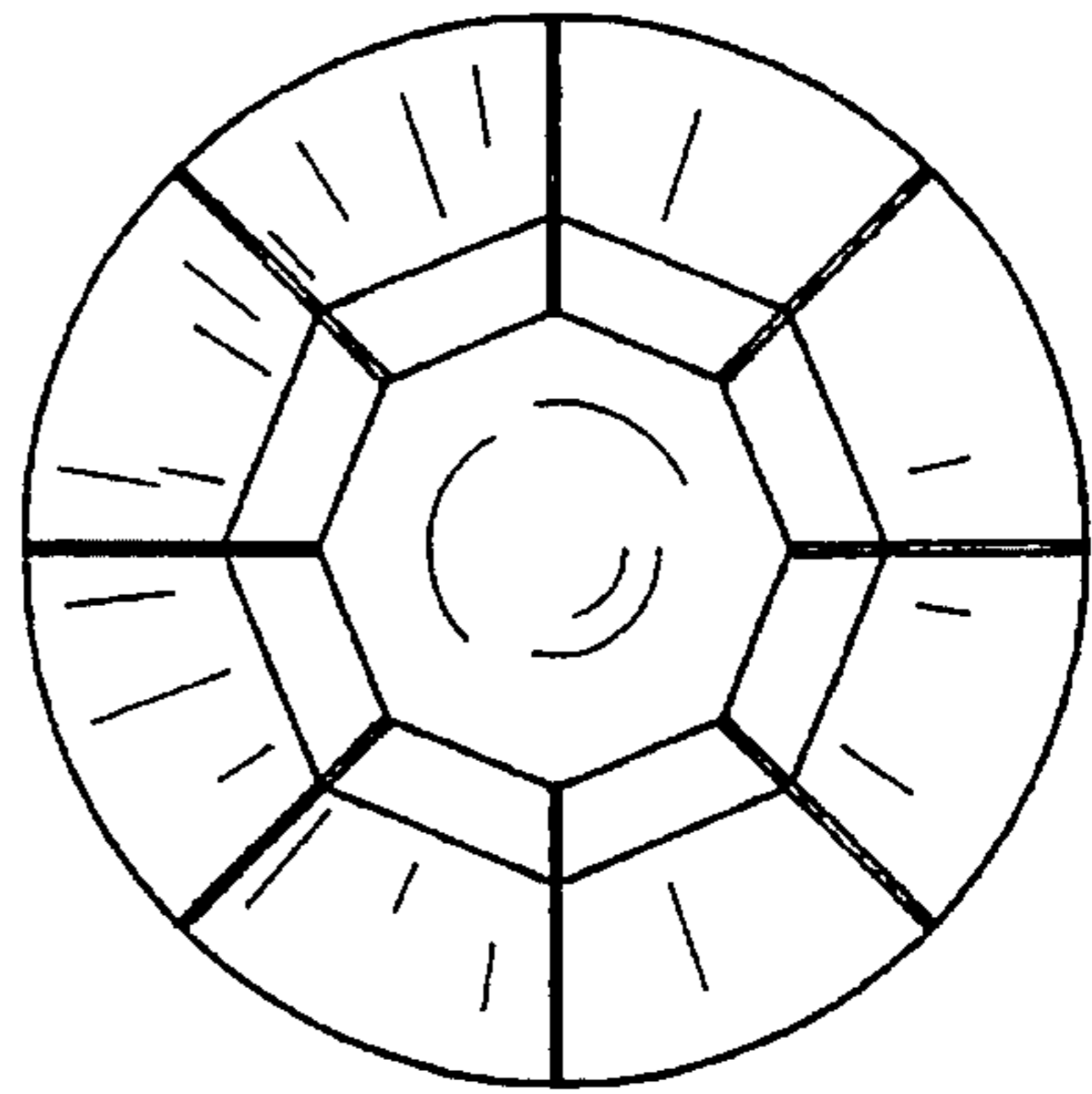


FIG. 11

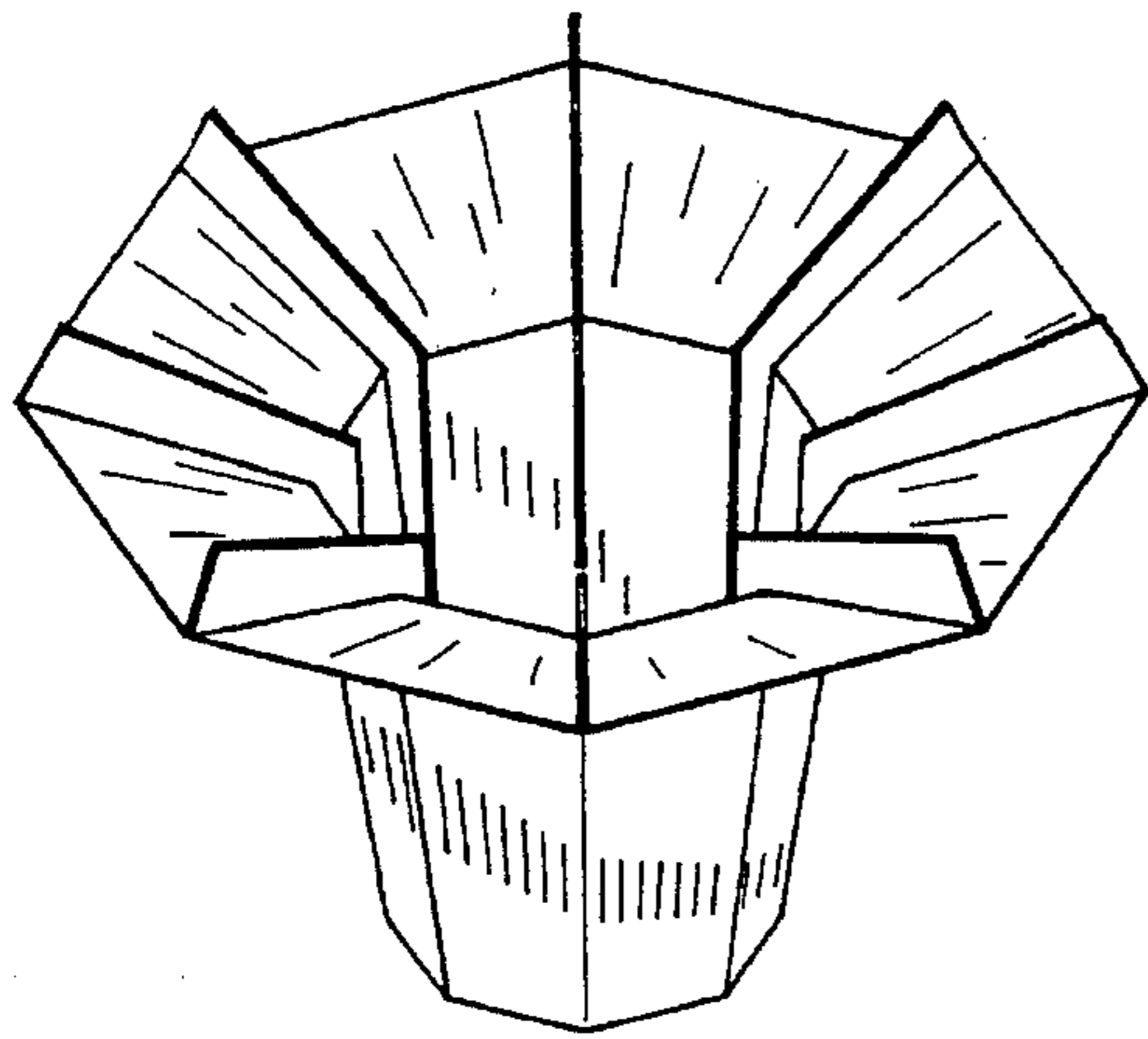


FIG. 12

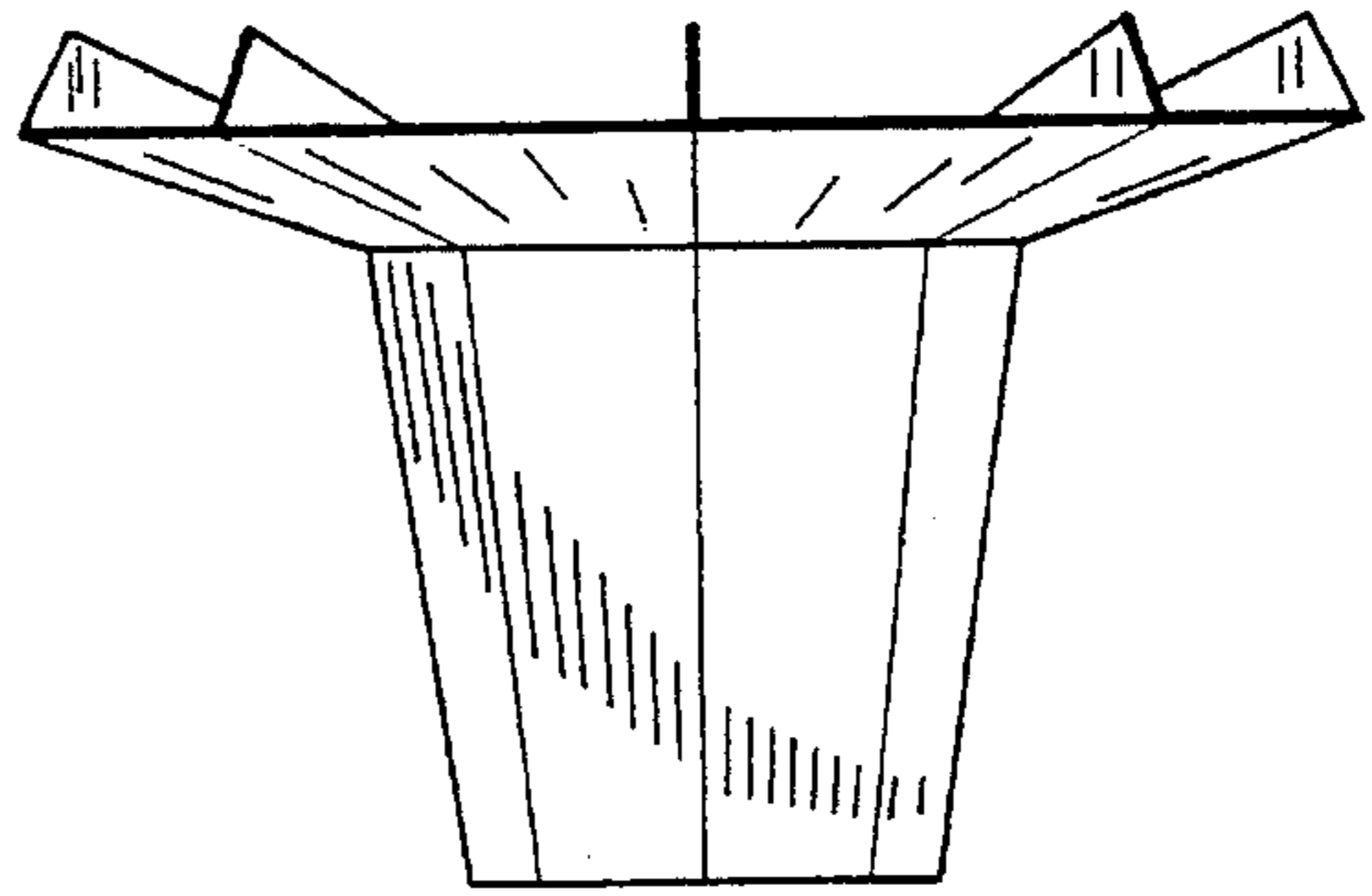


FIG. 13

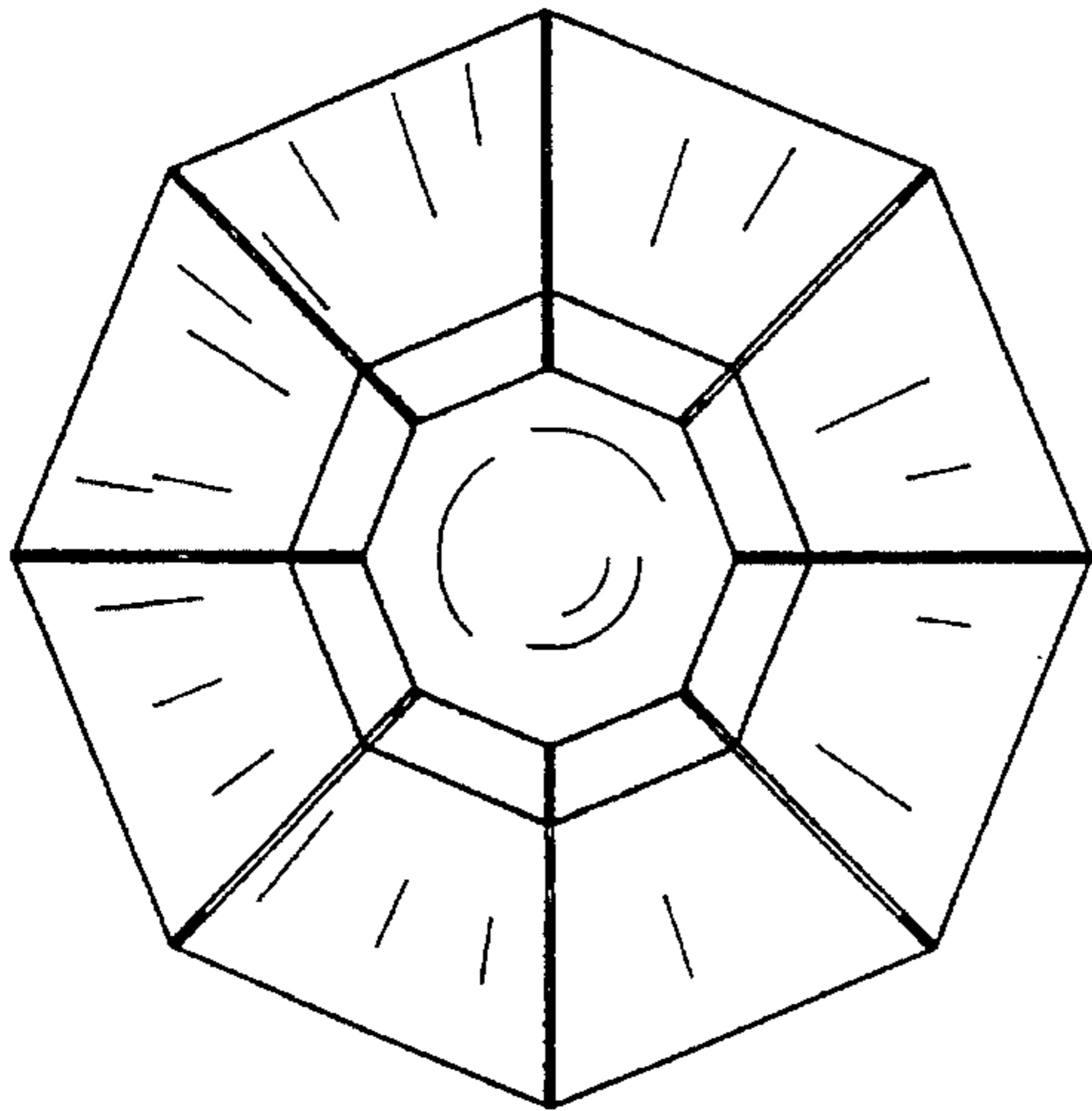


FIG. 14

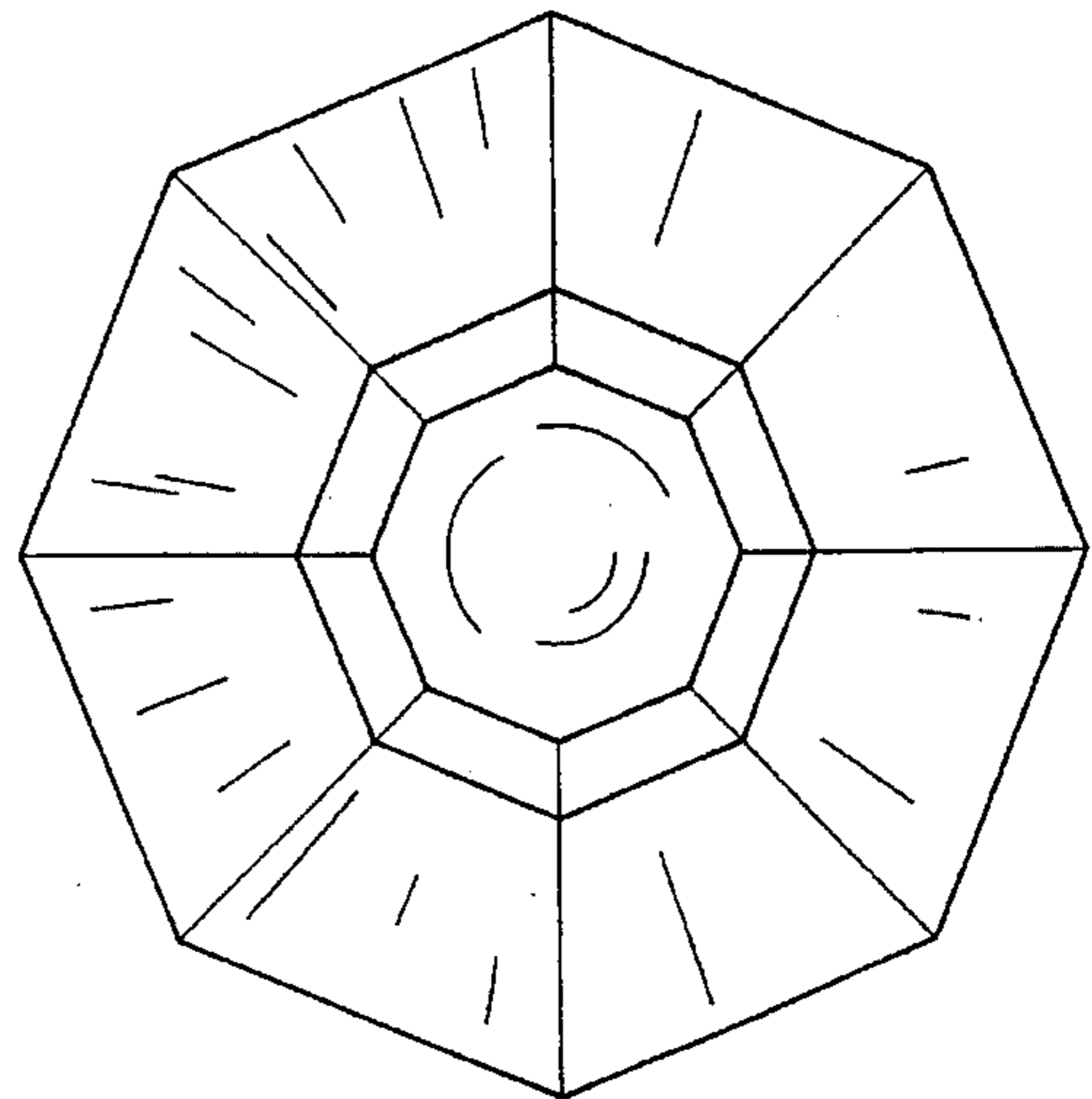


FIG. 15

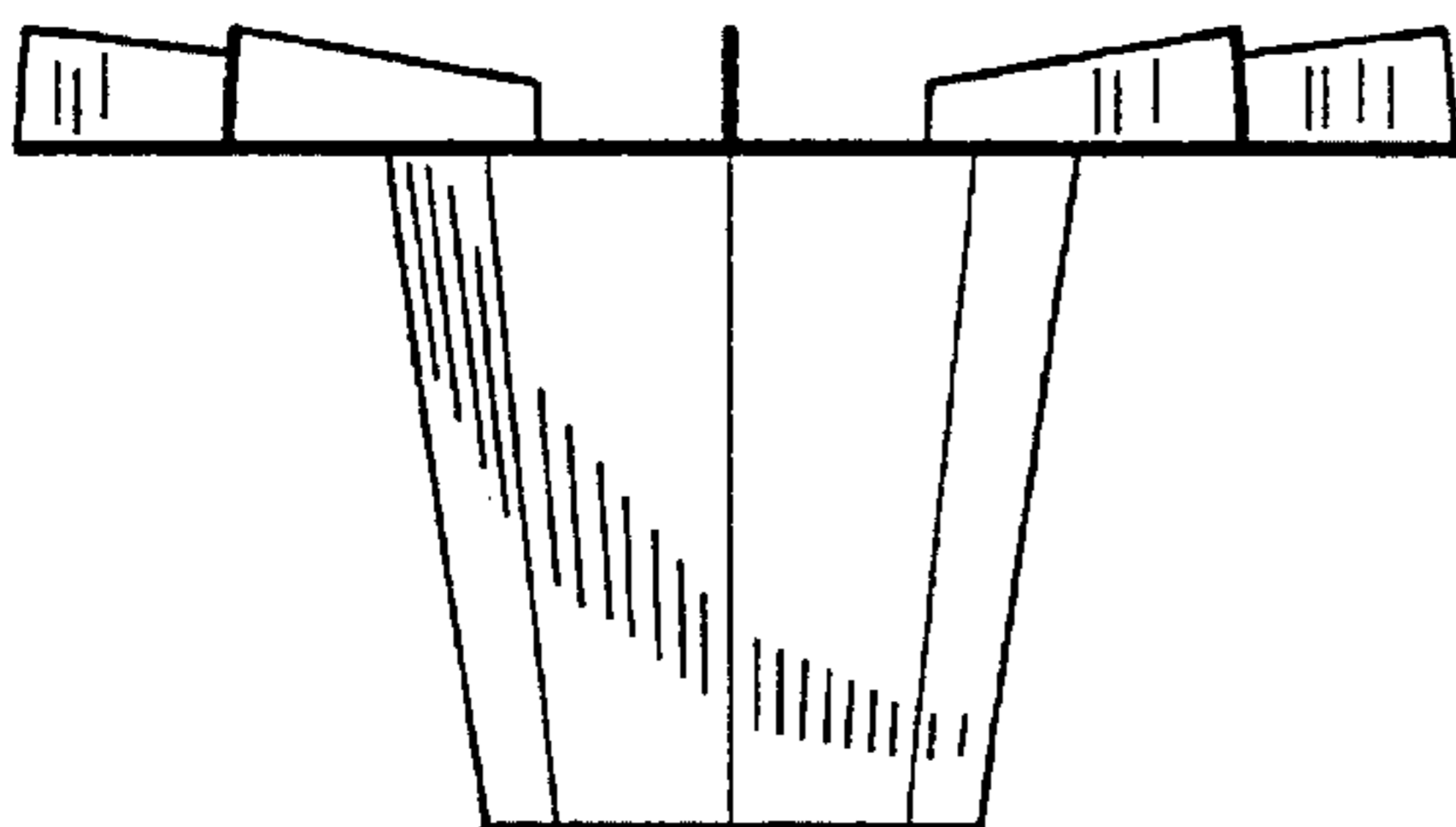


FIG. 16

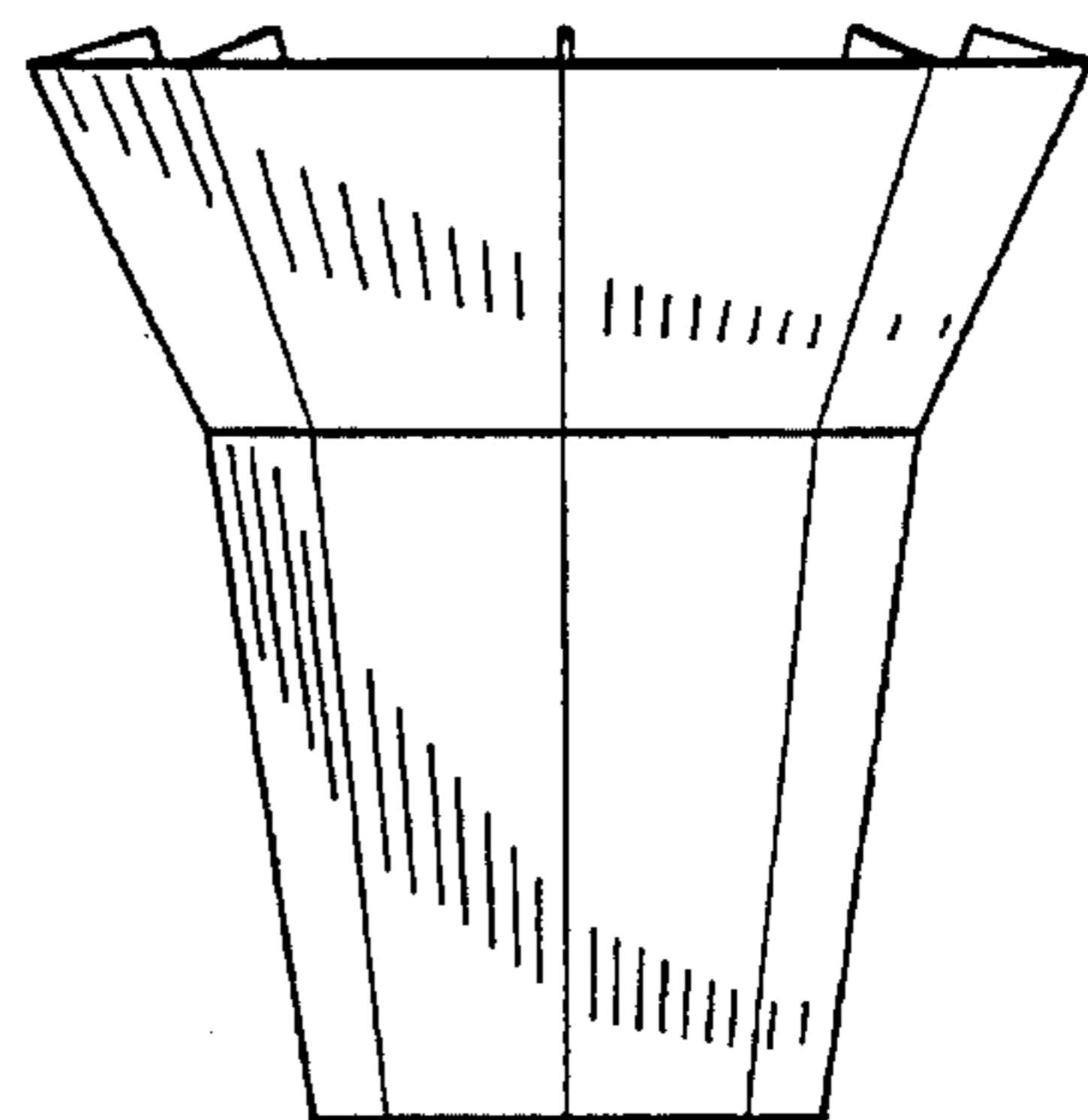


FIG. 17

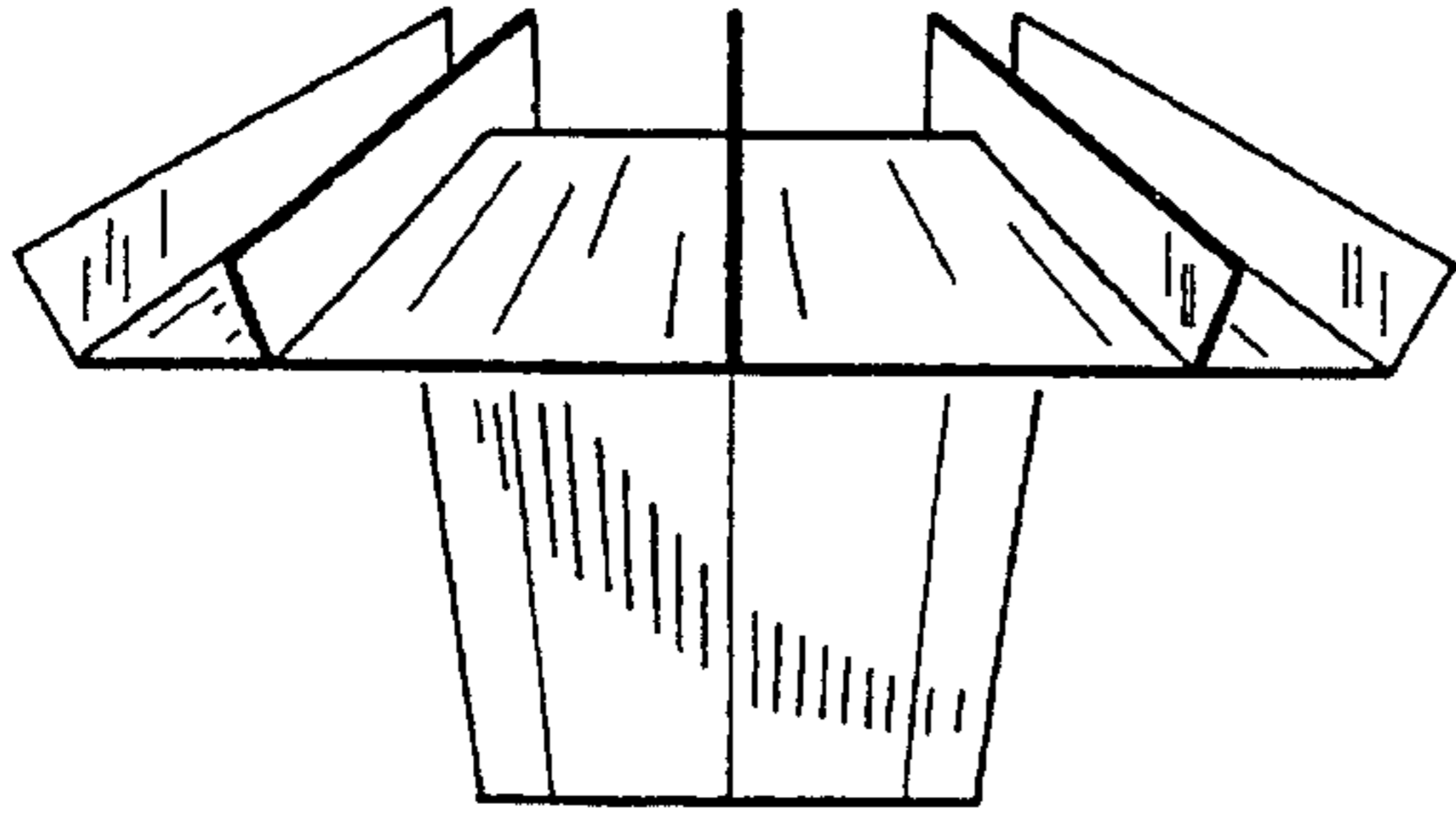


FIG. 18

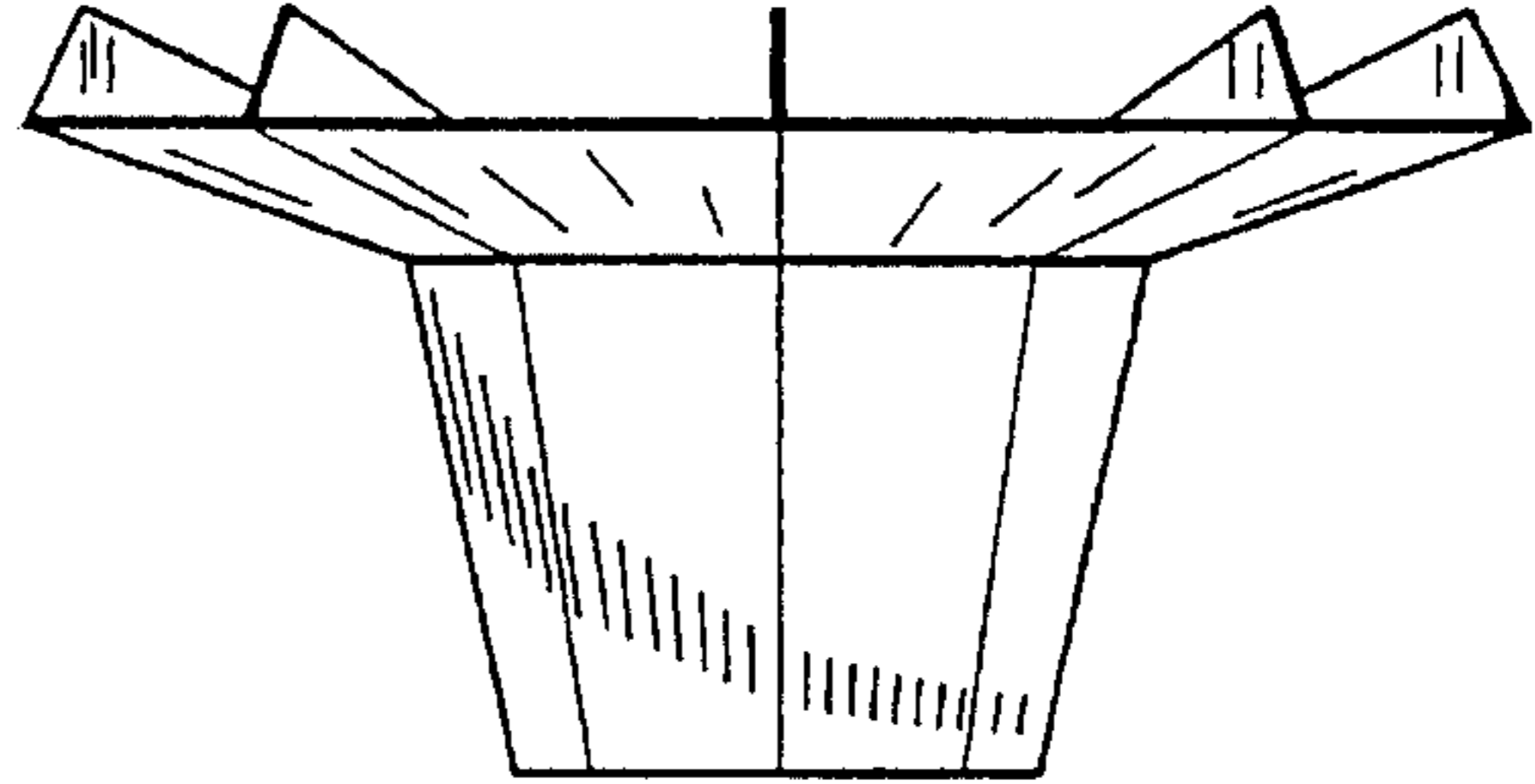


FIG. 19

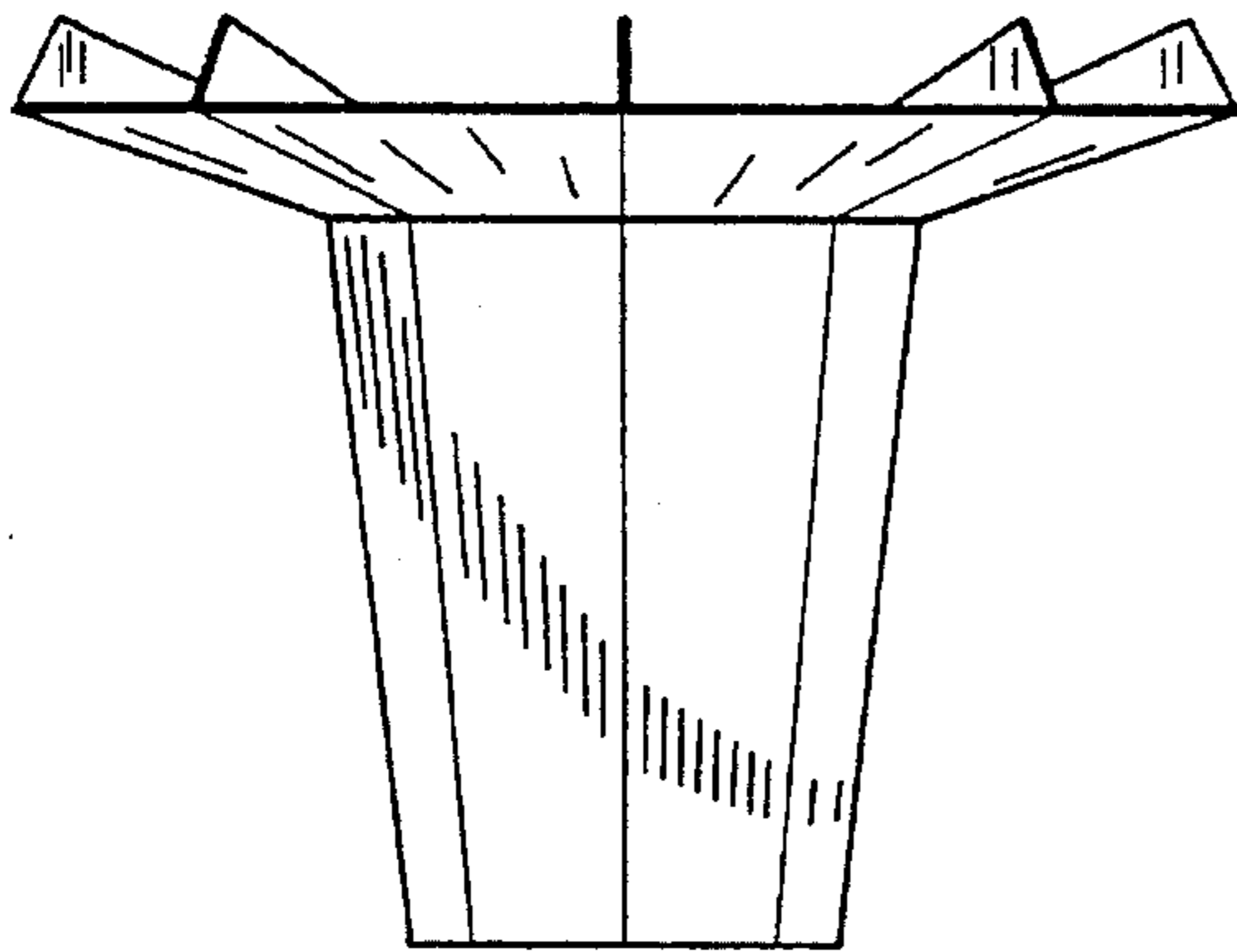


FIG. 20

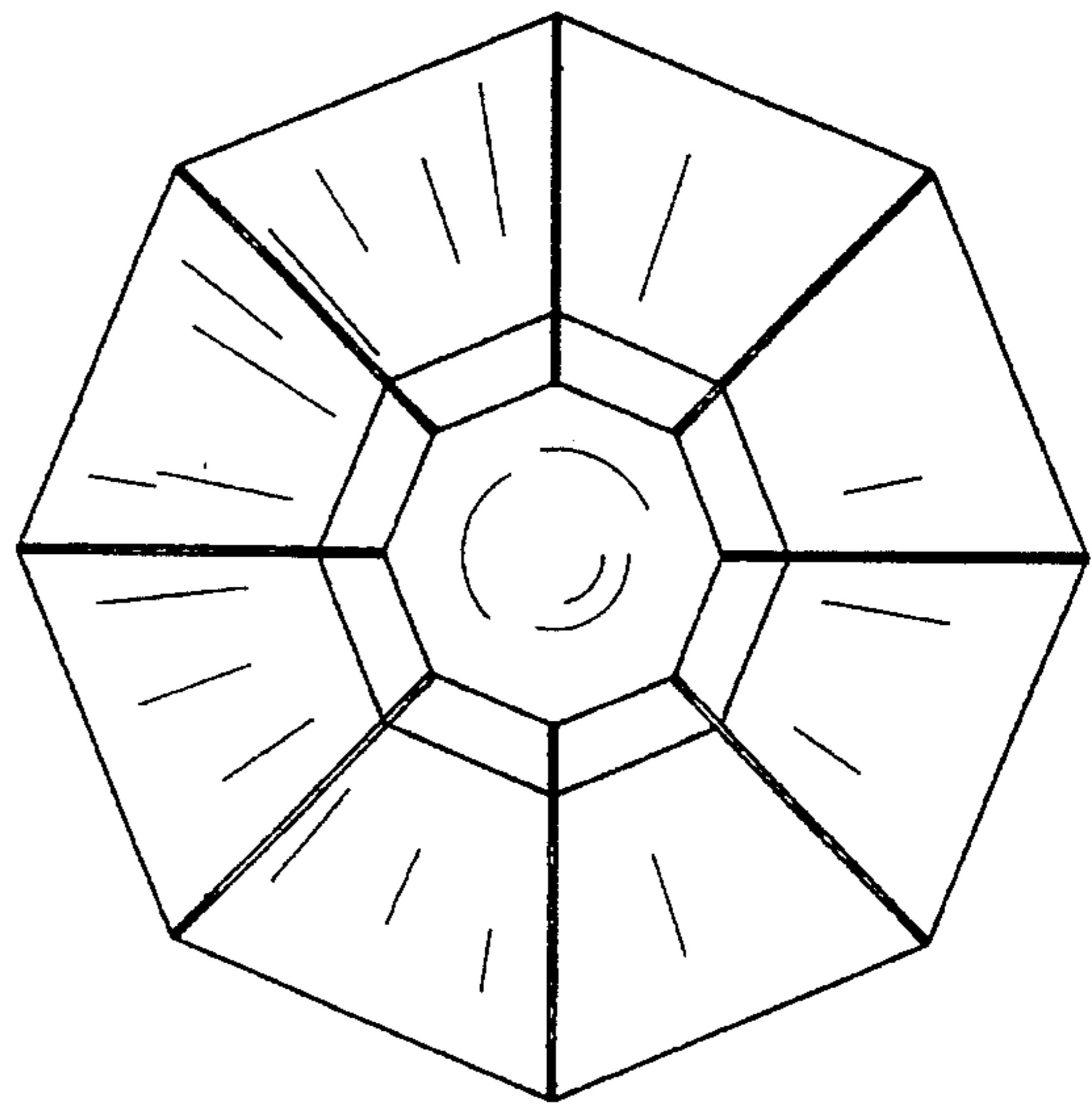


FIG. 21

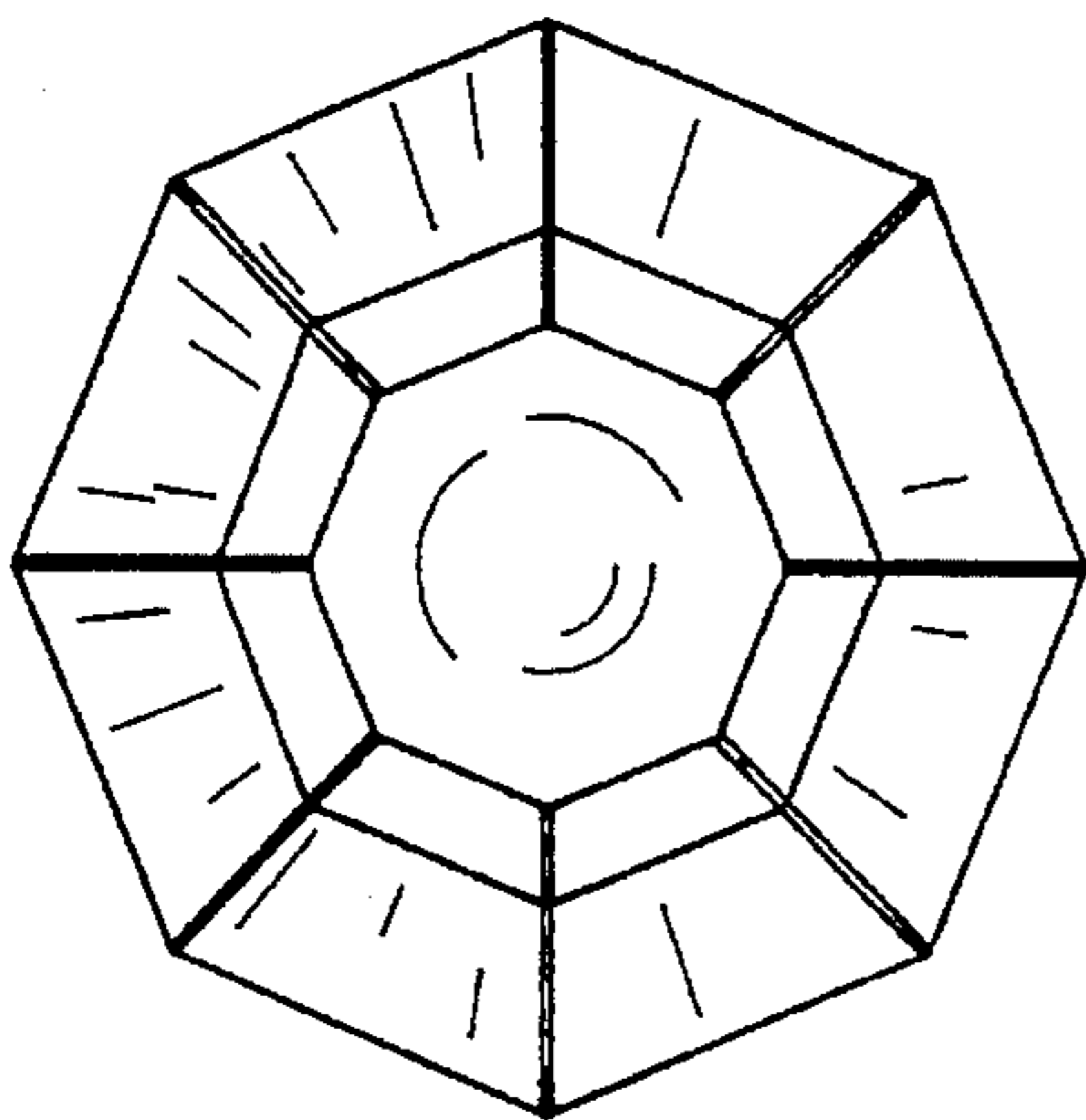


FIG. 22

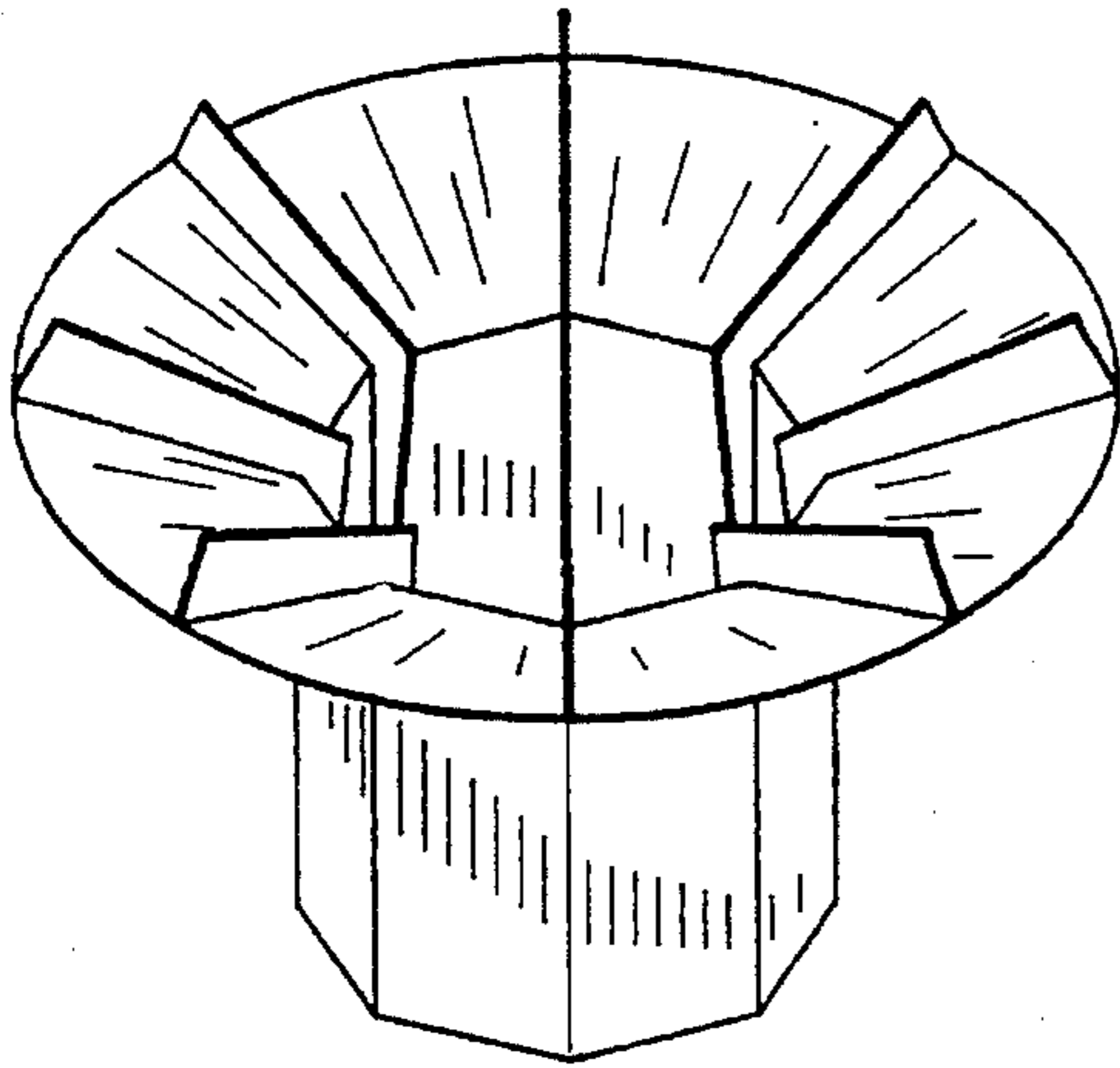


FIG. 23

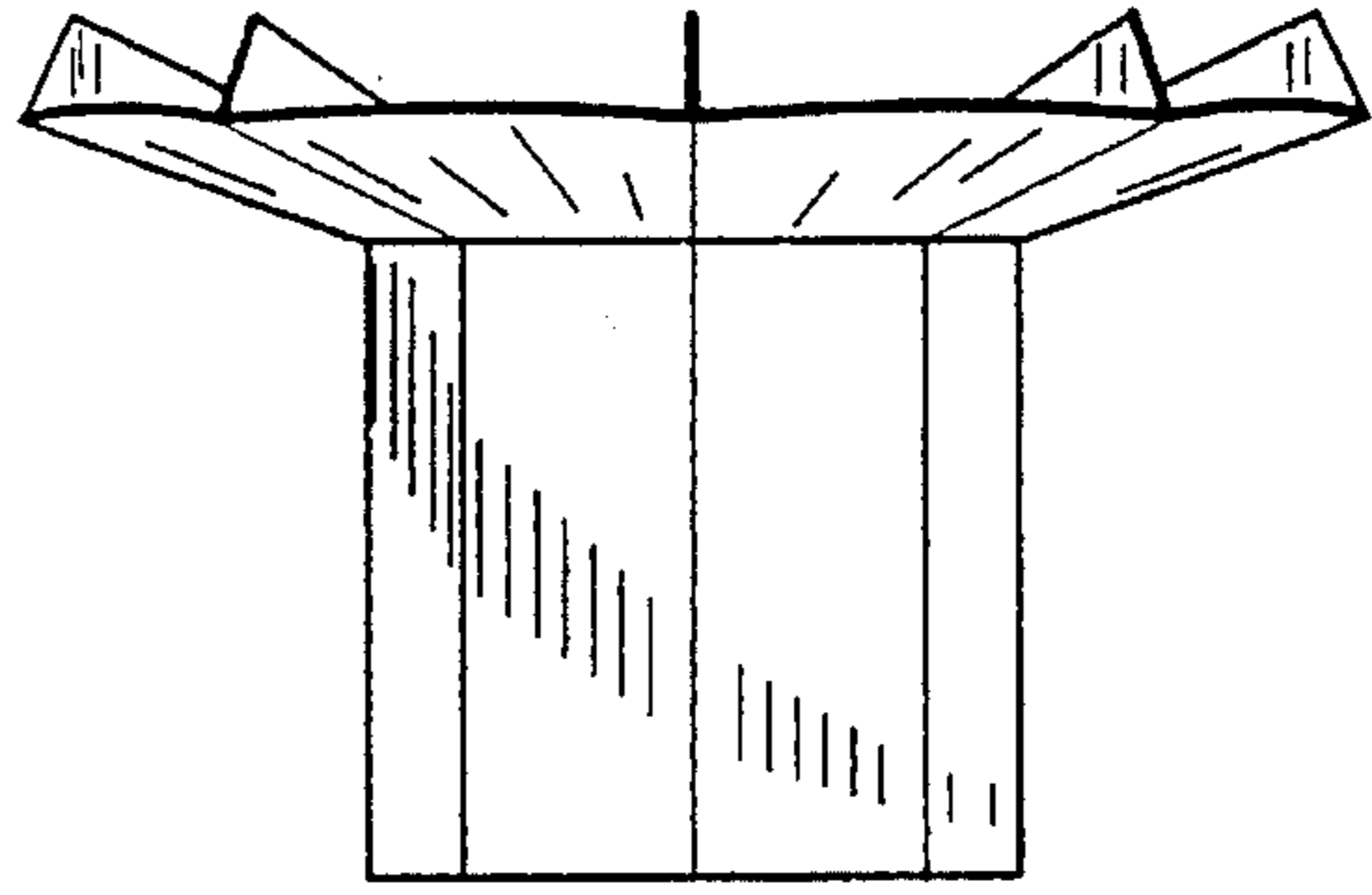


FIG. 24

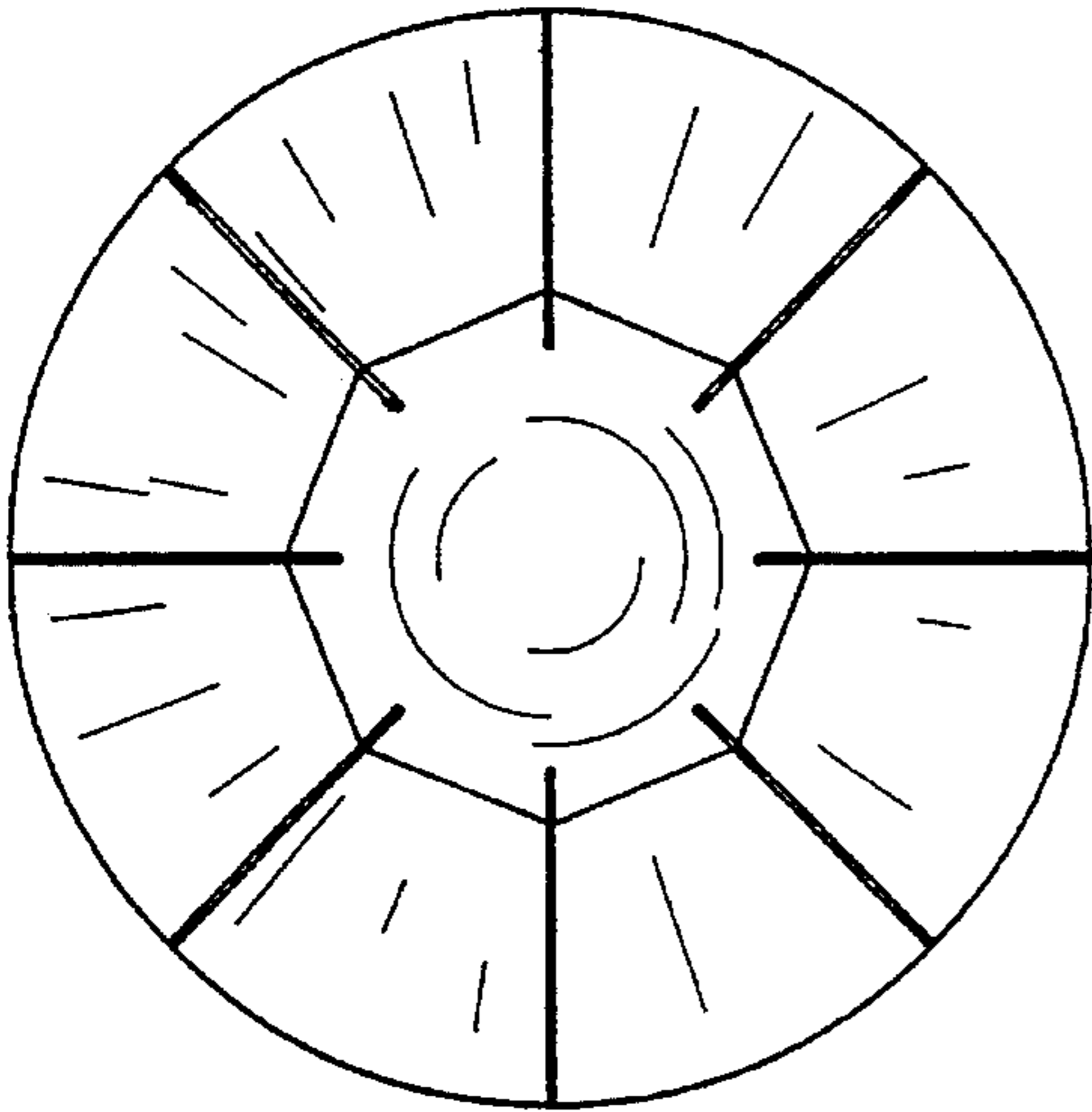


FIG. 25

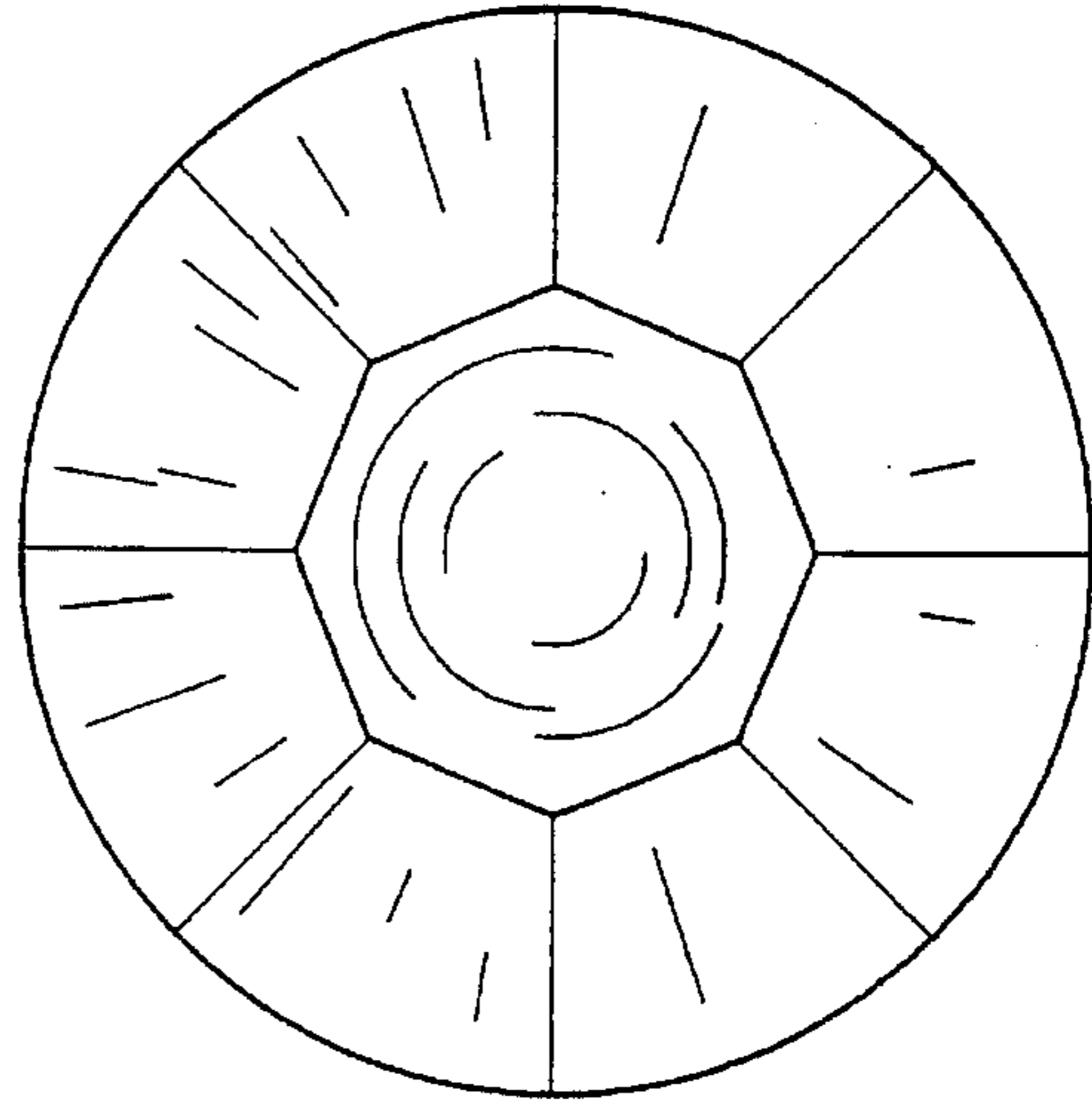


FIG. 26

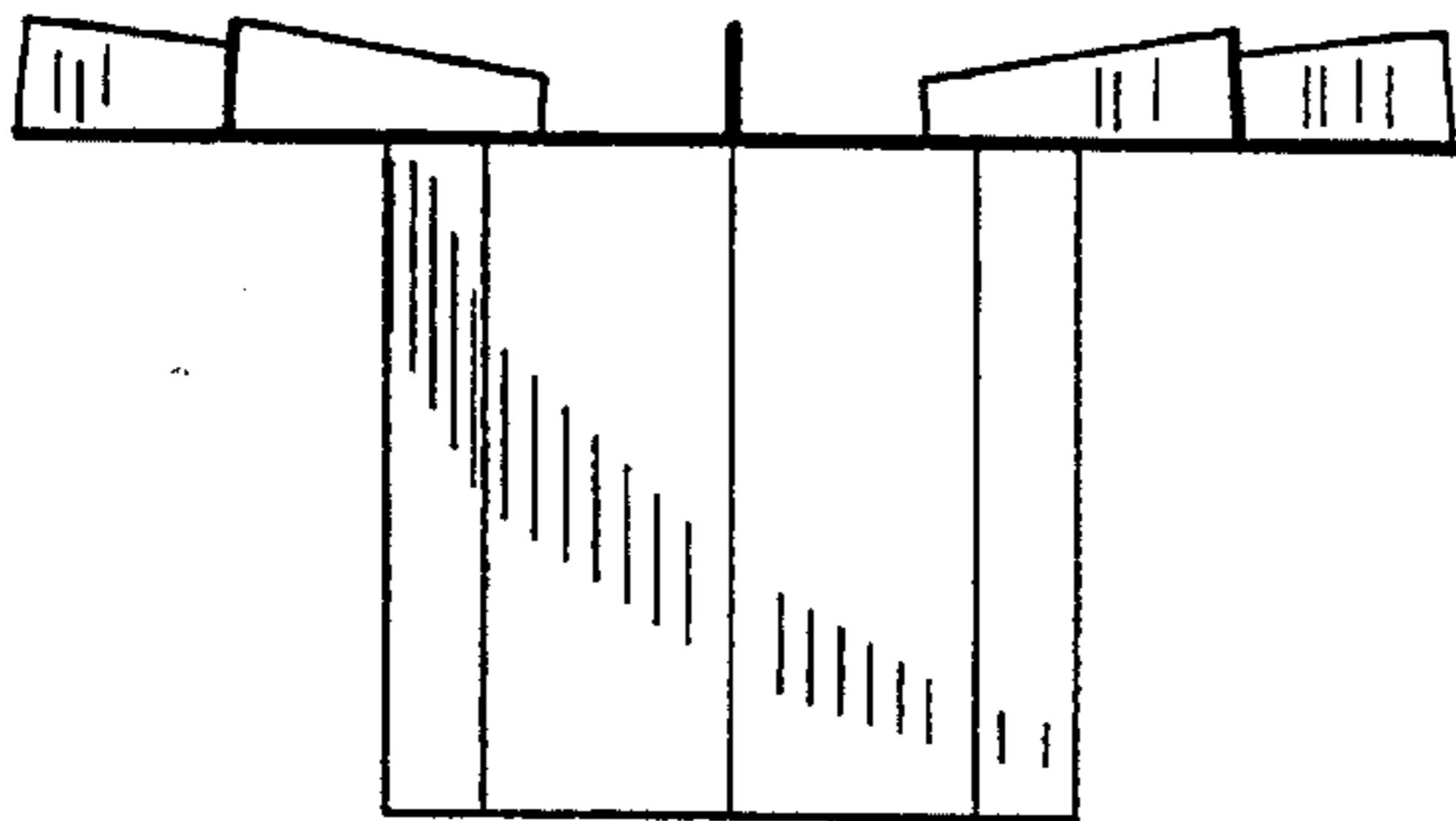


FIG. 27

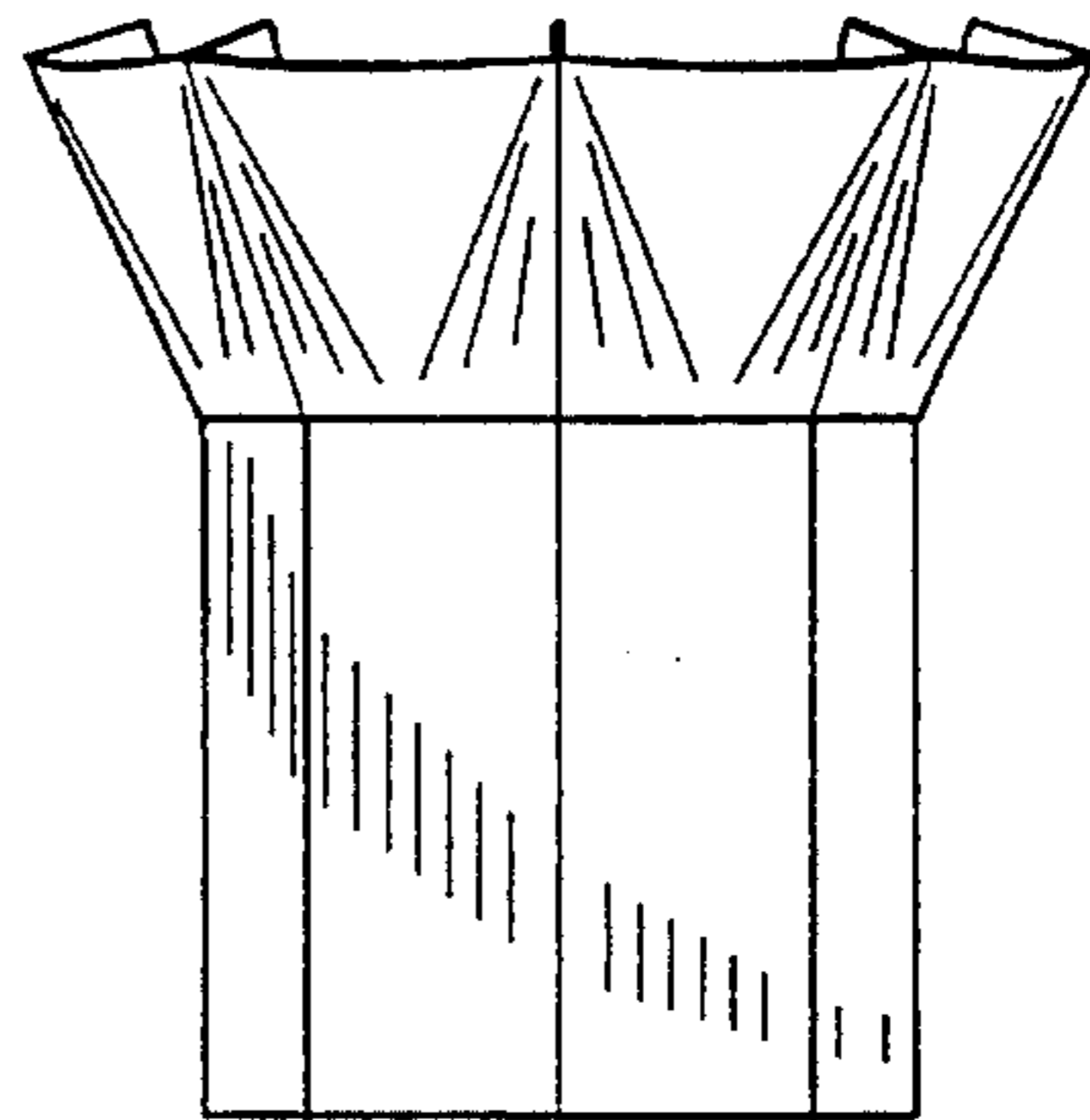


FIG. 28

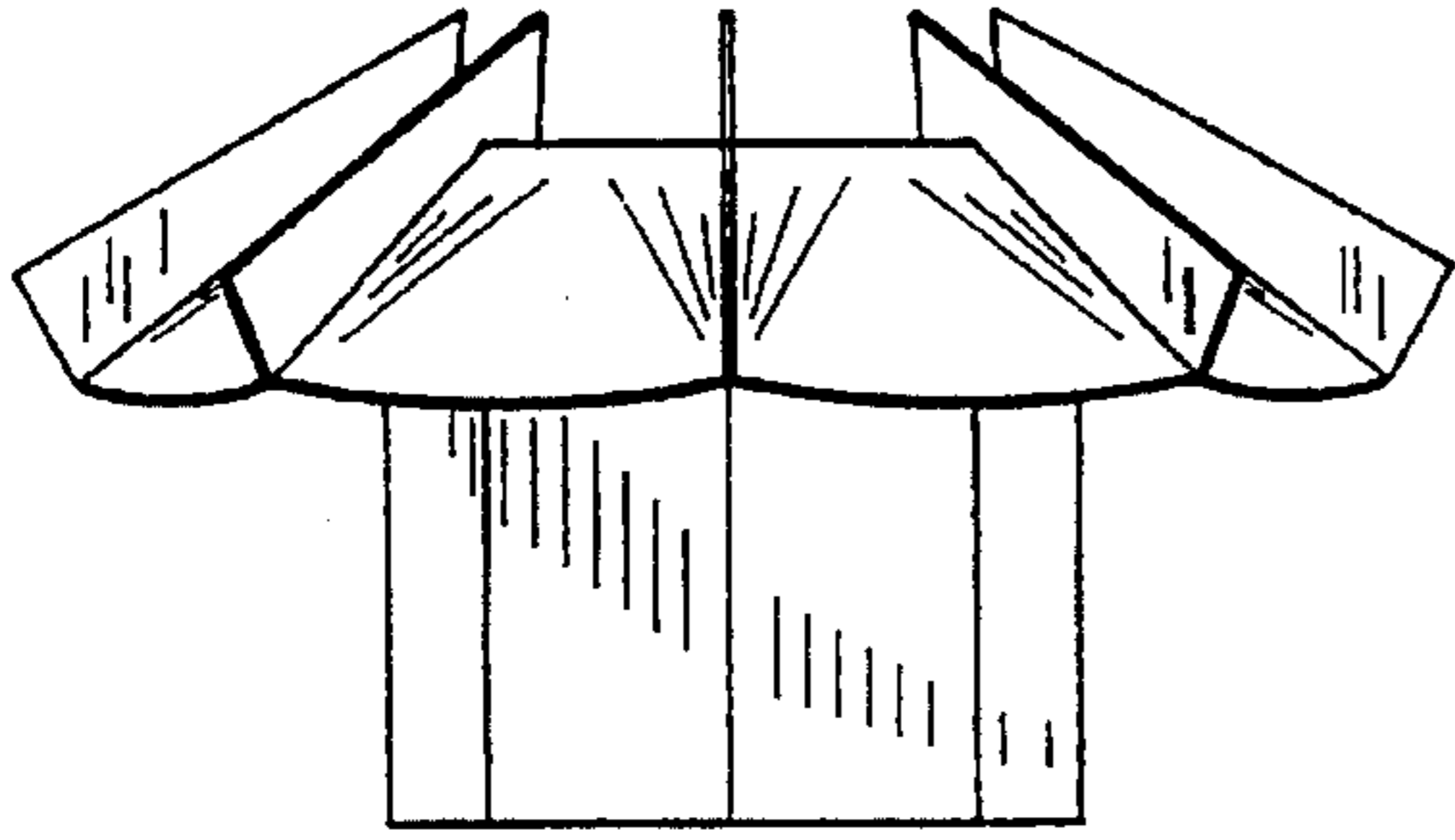


FIG. 29

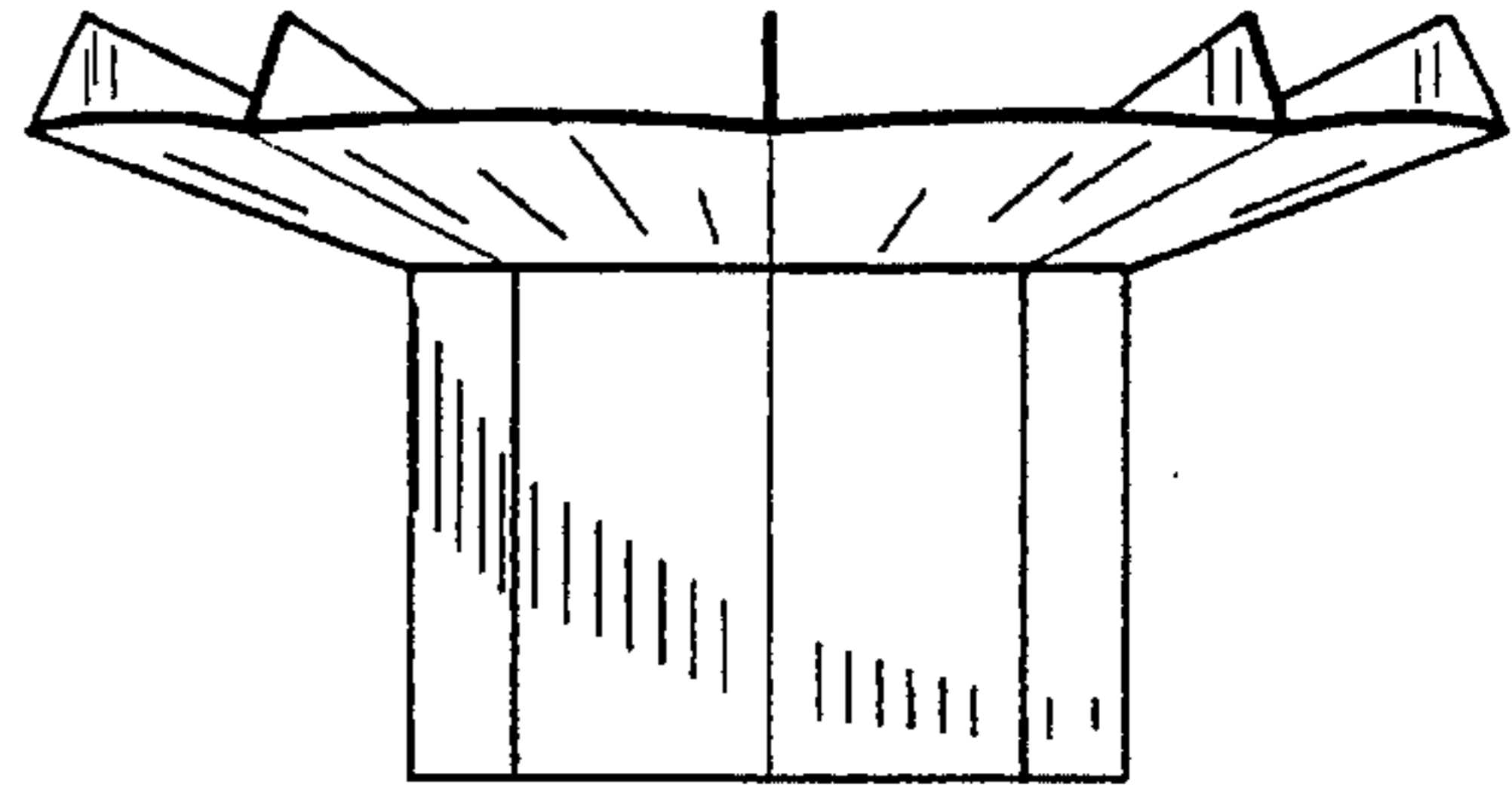


FIG. 30

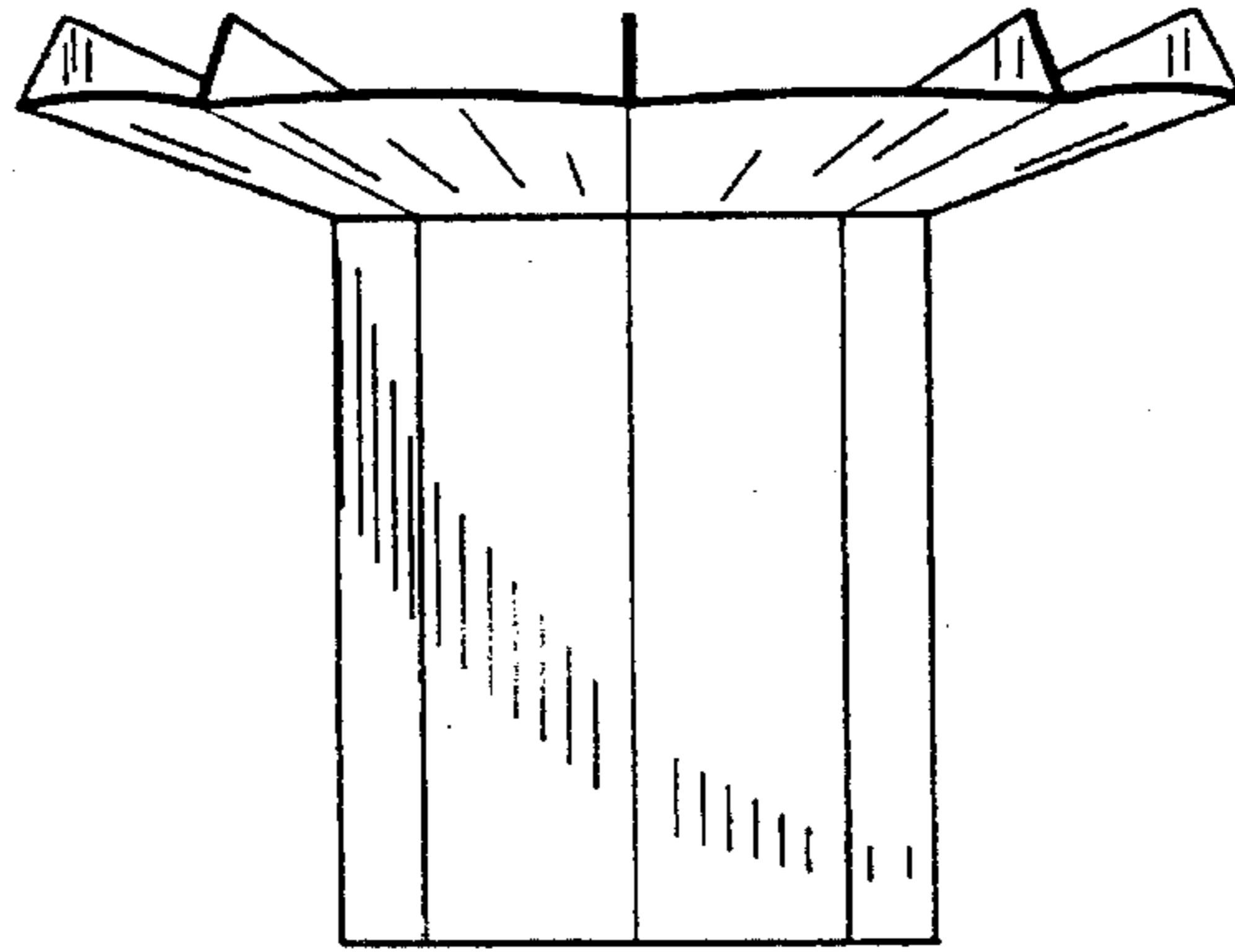


FIG. 31

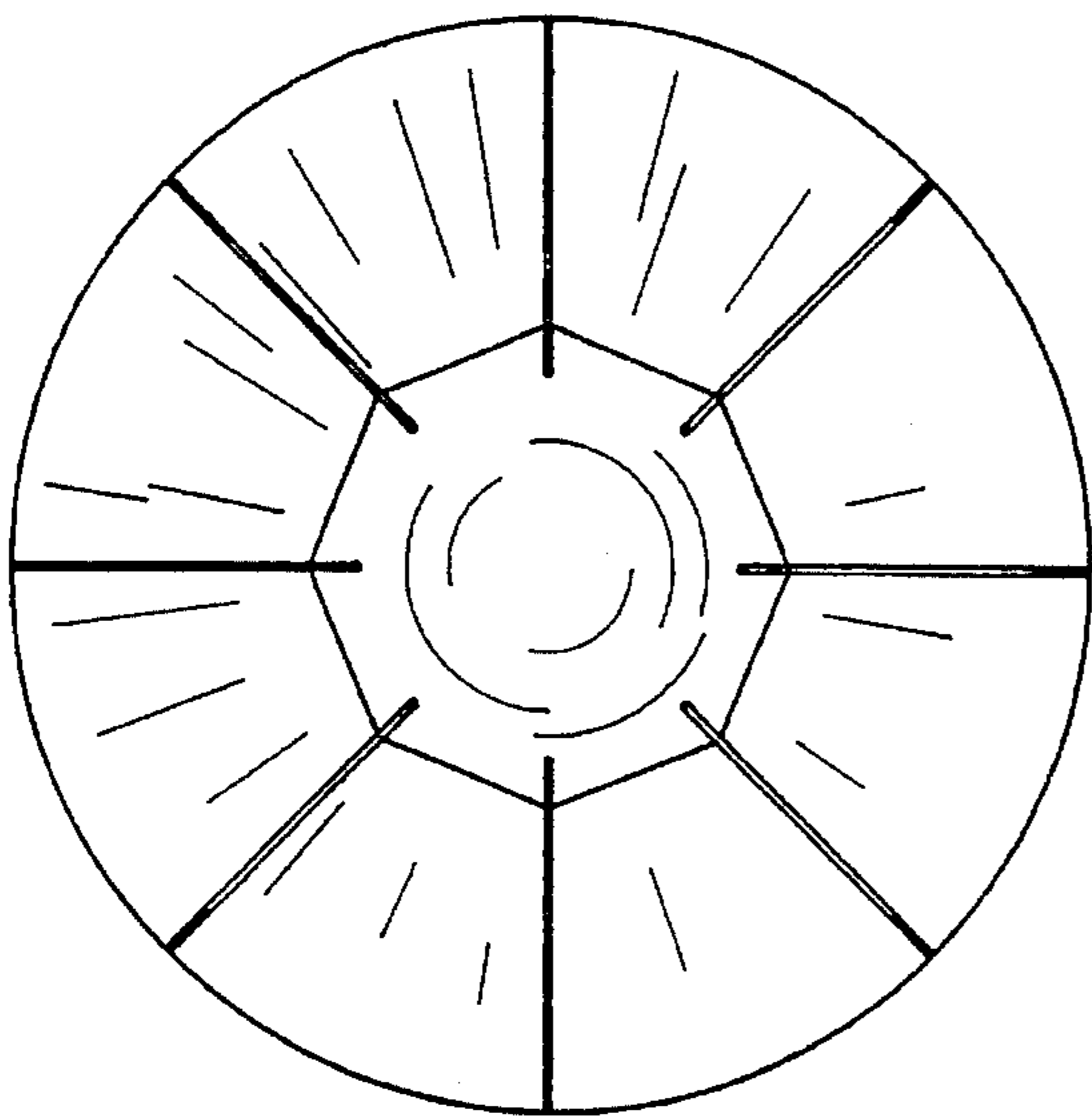


FIG. 32

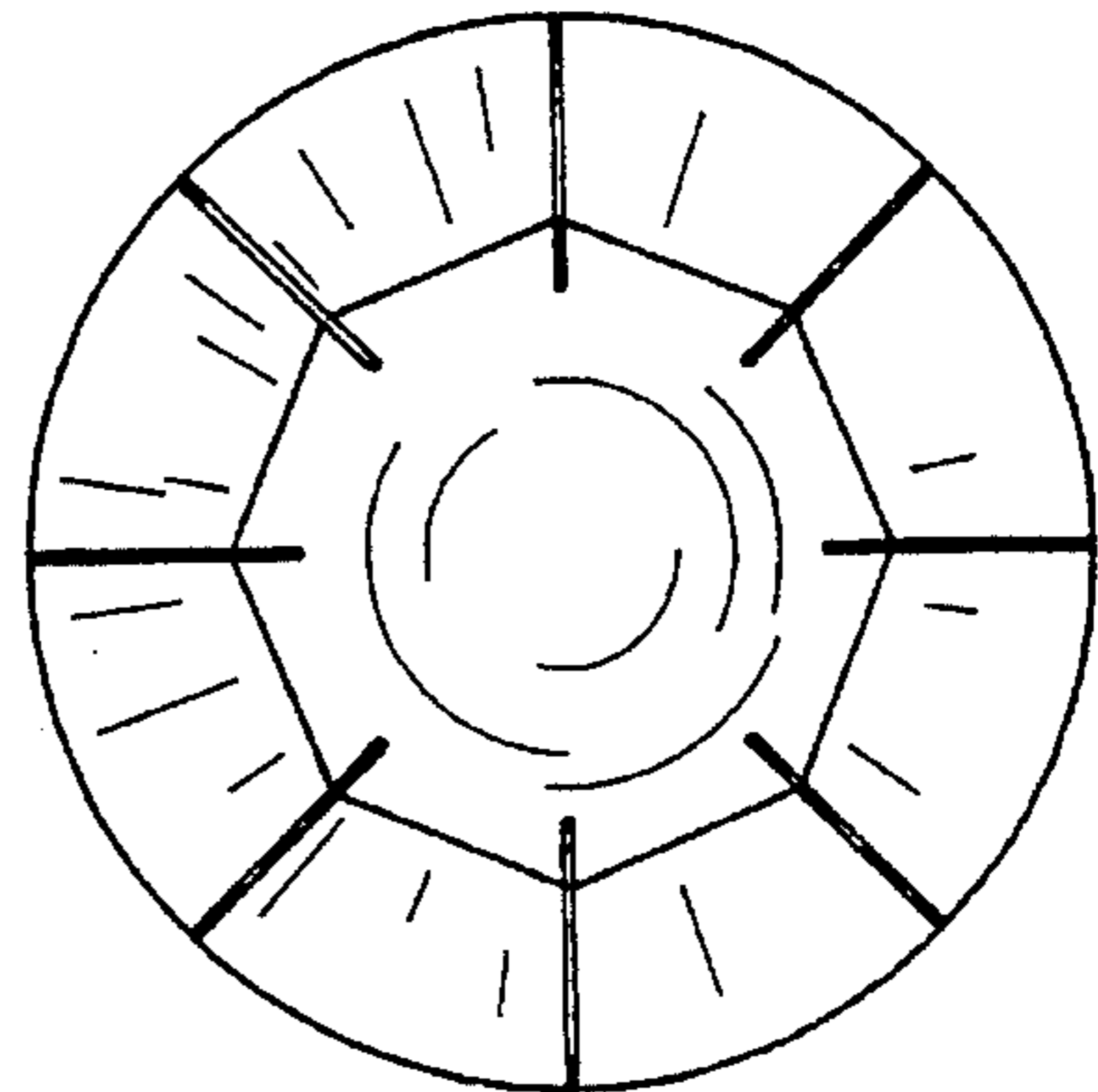


FIG. 33

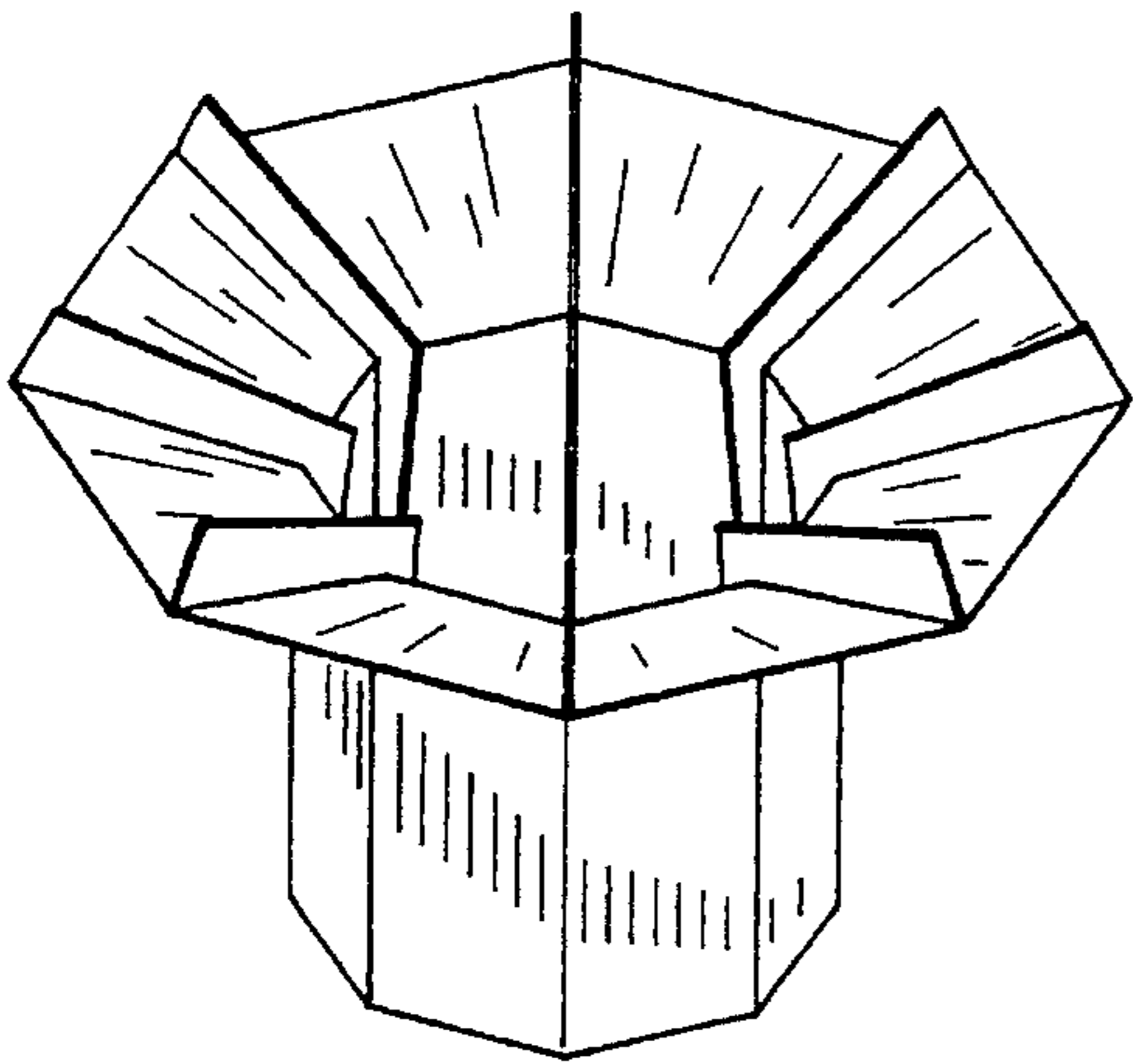


FIG. 34

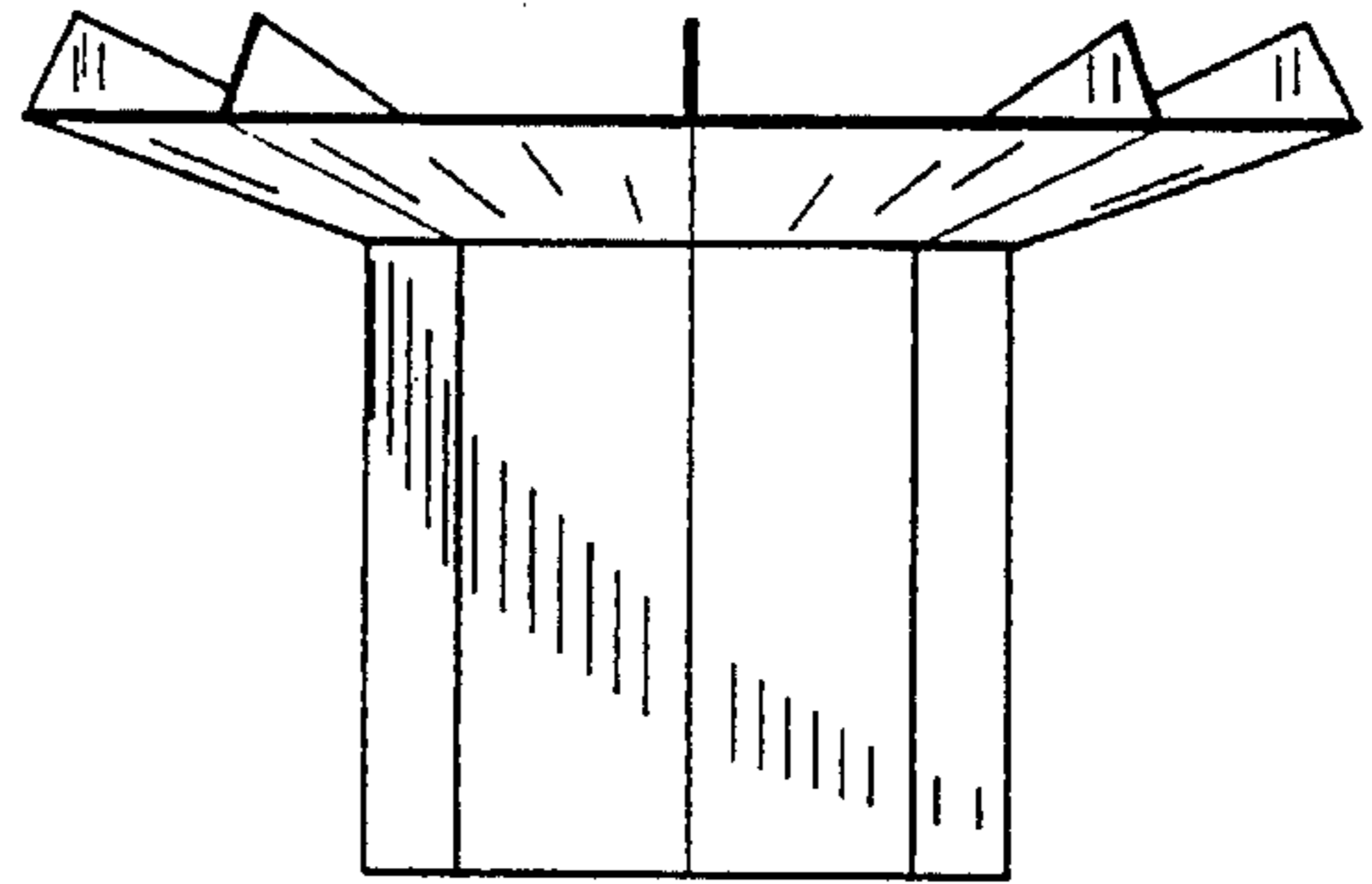


FIG. 35

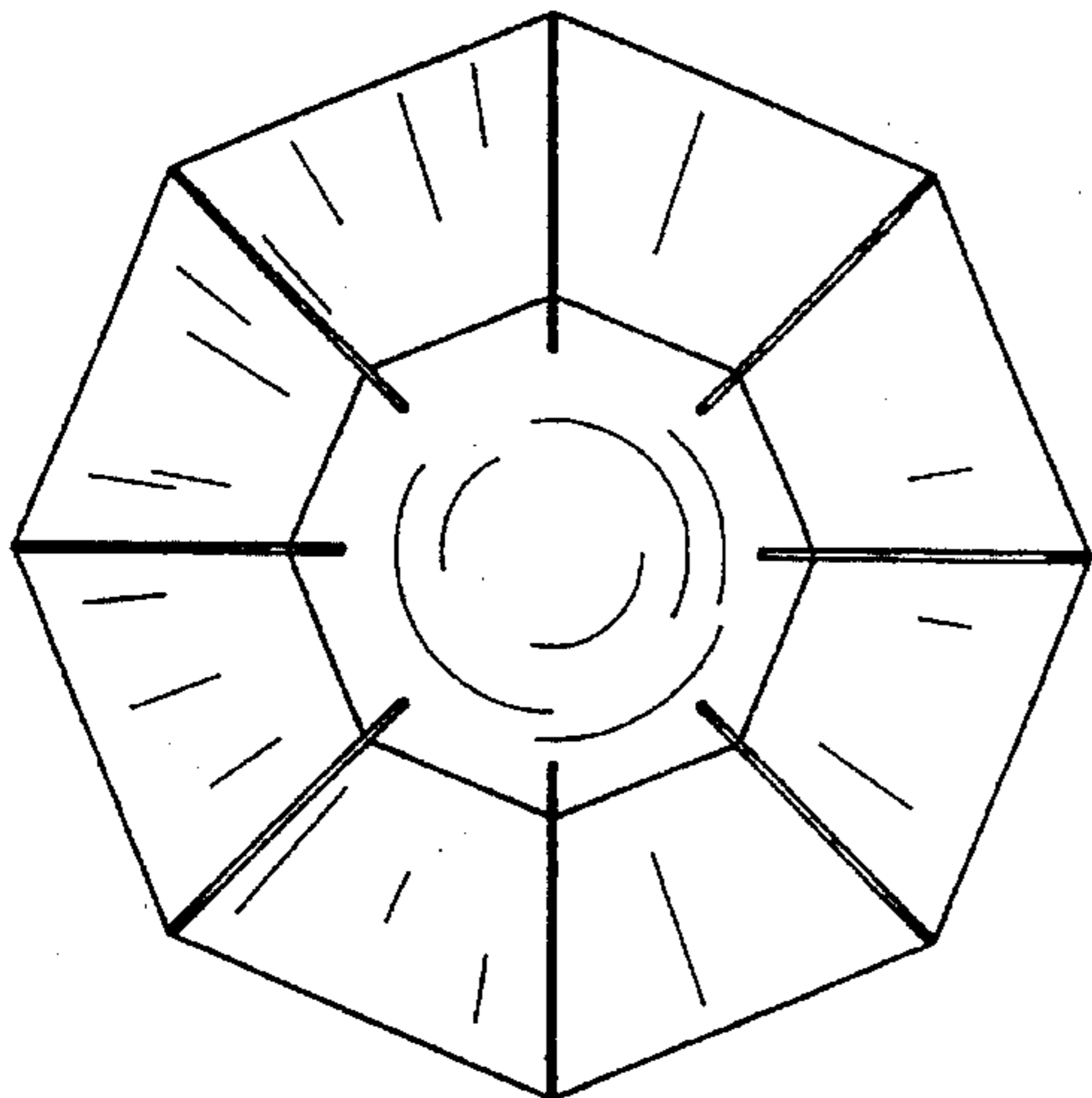


FIG. 36

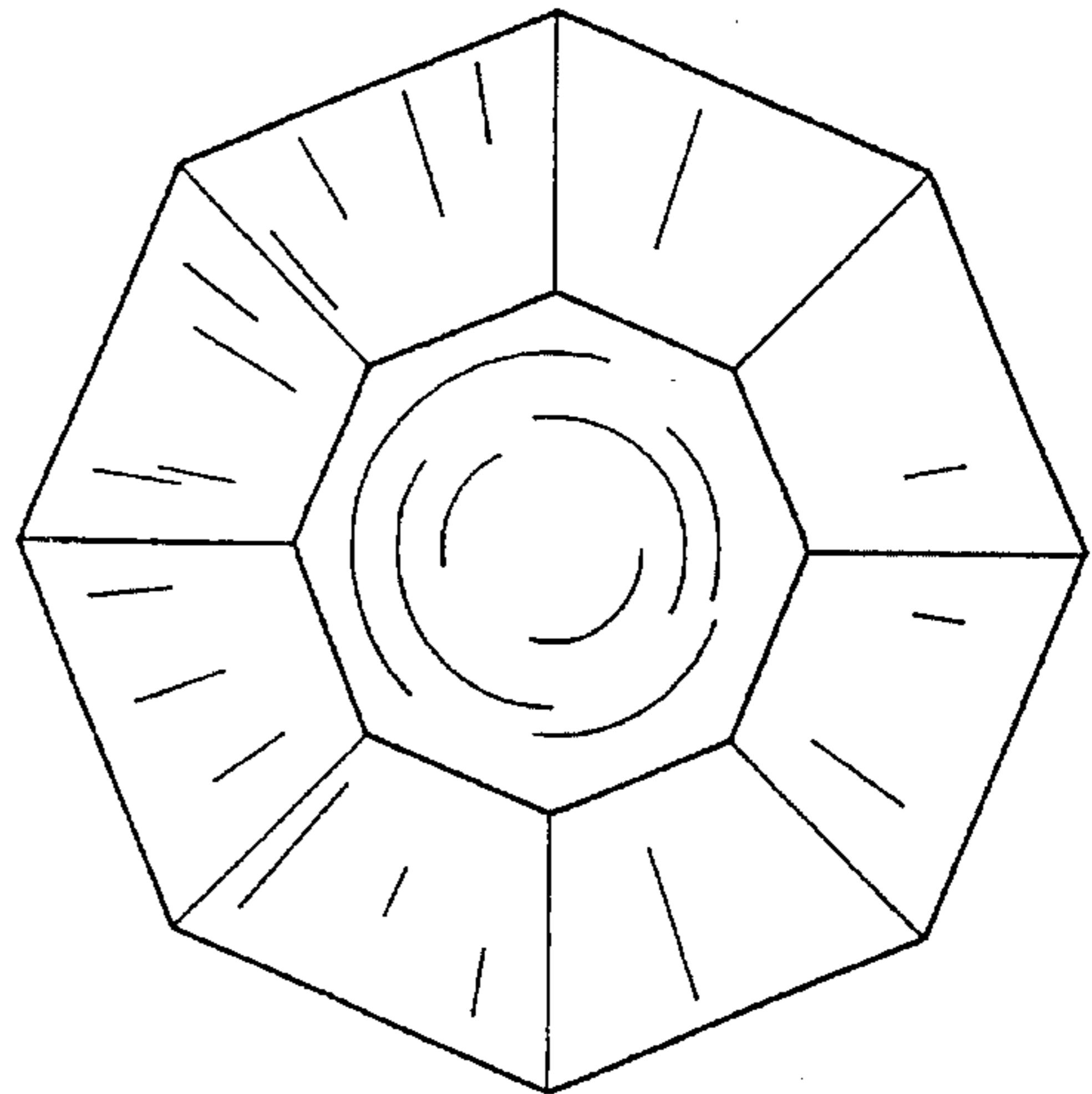


FIG. 37

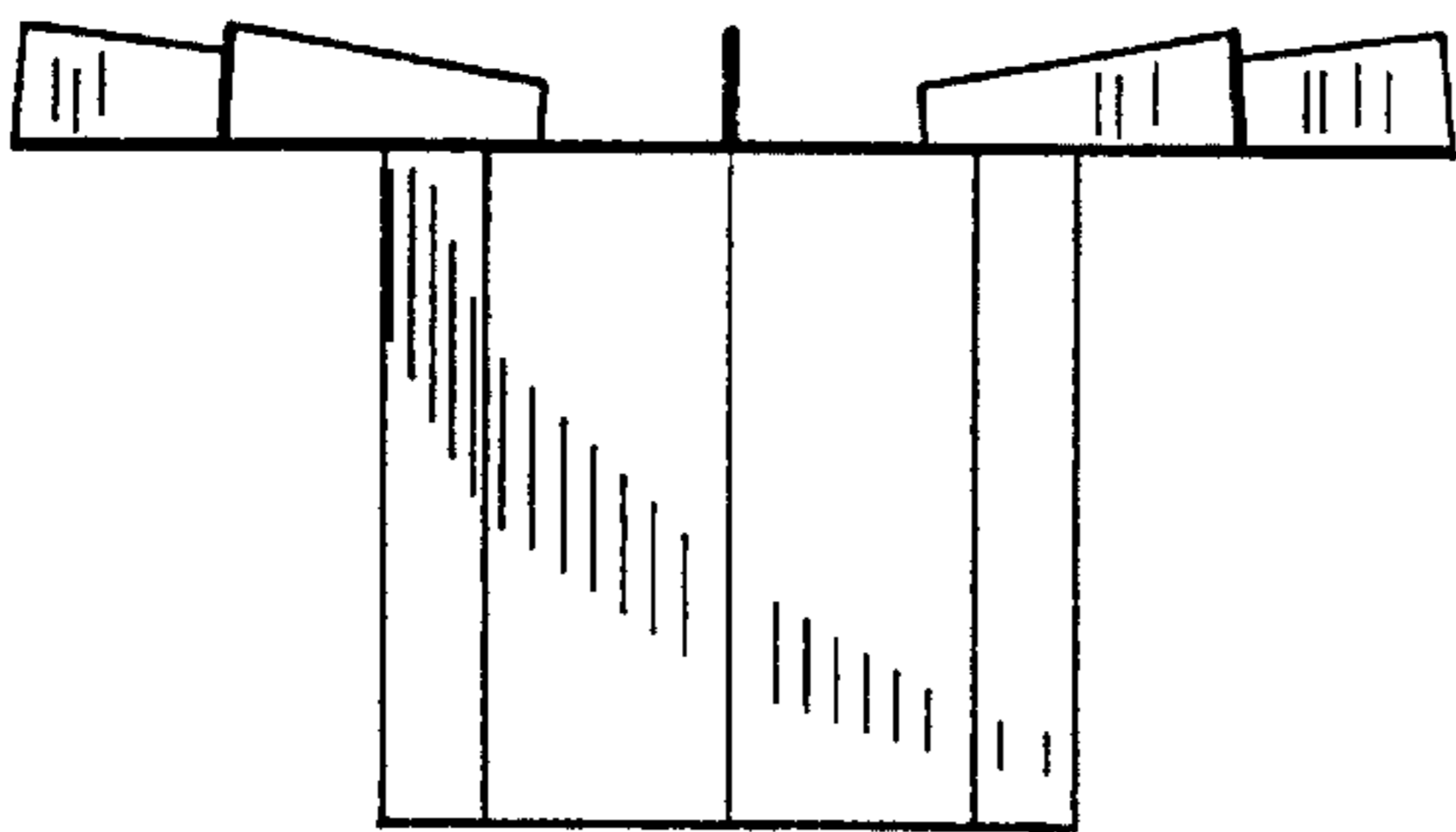


FIG. 38

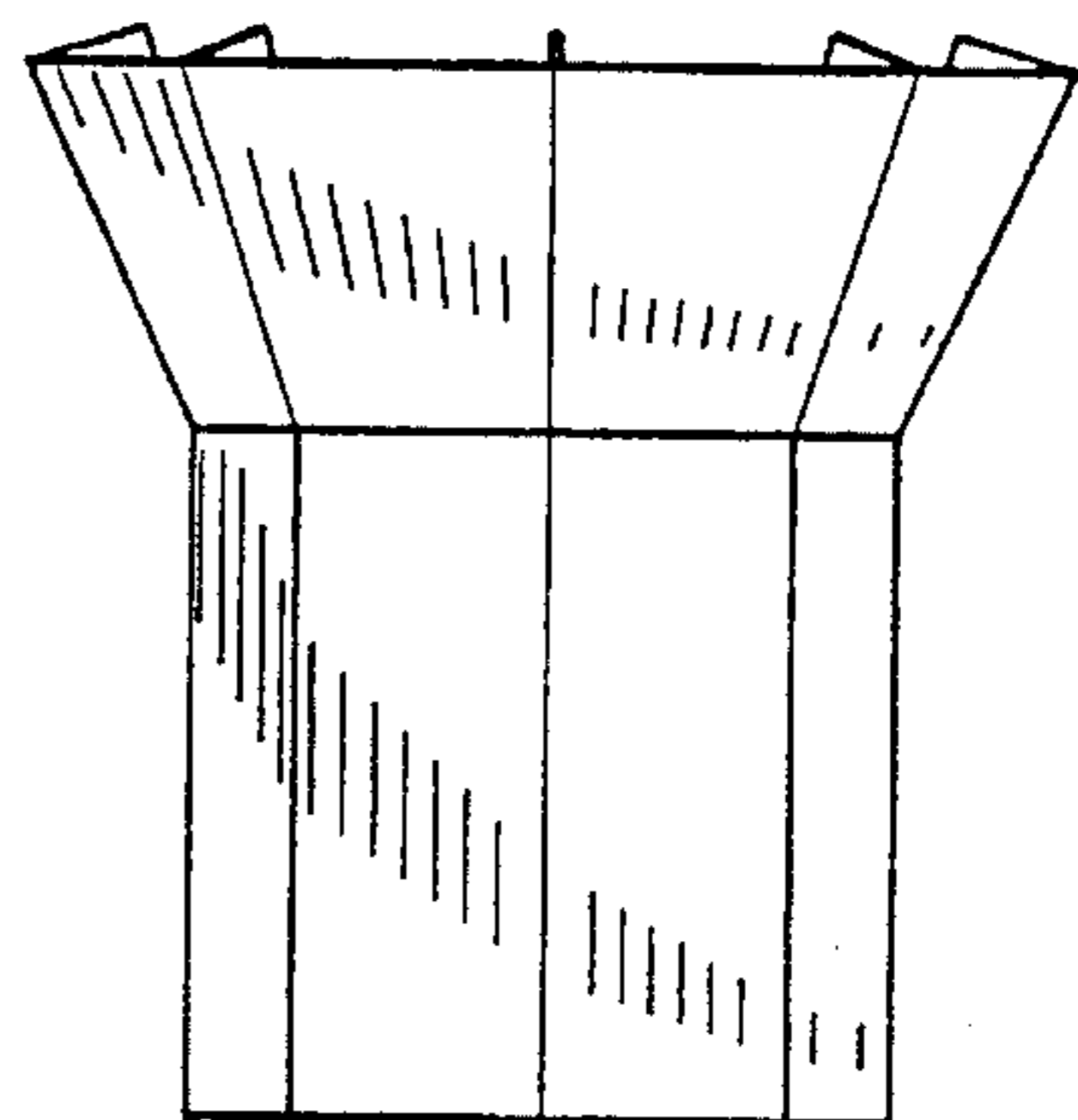


FIG. 39

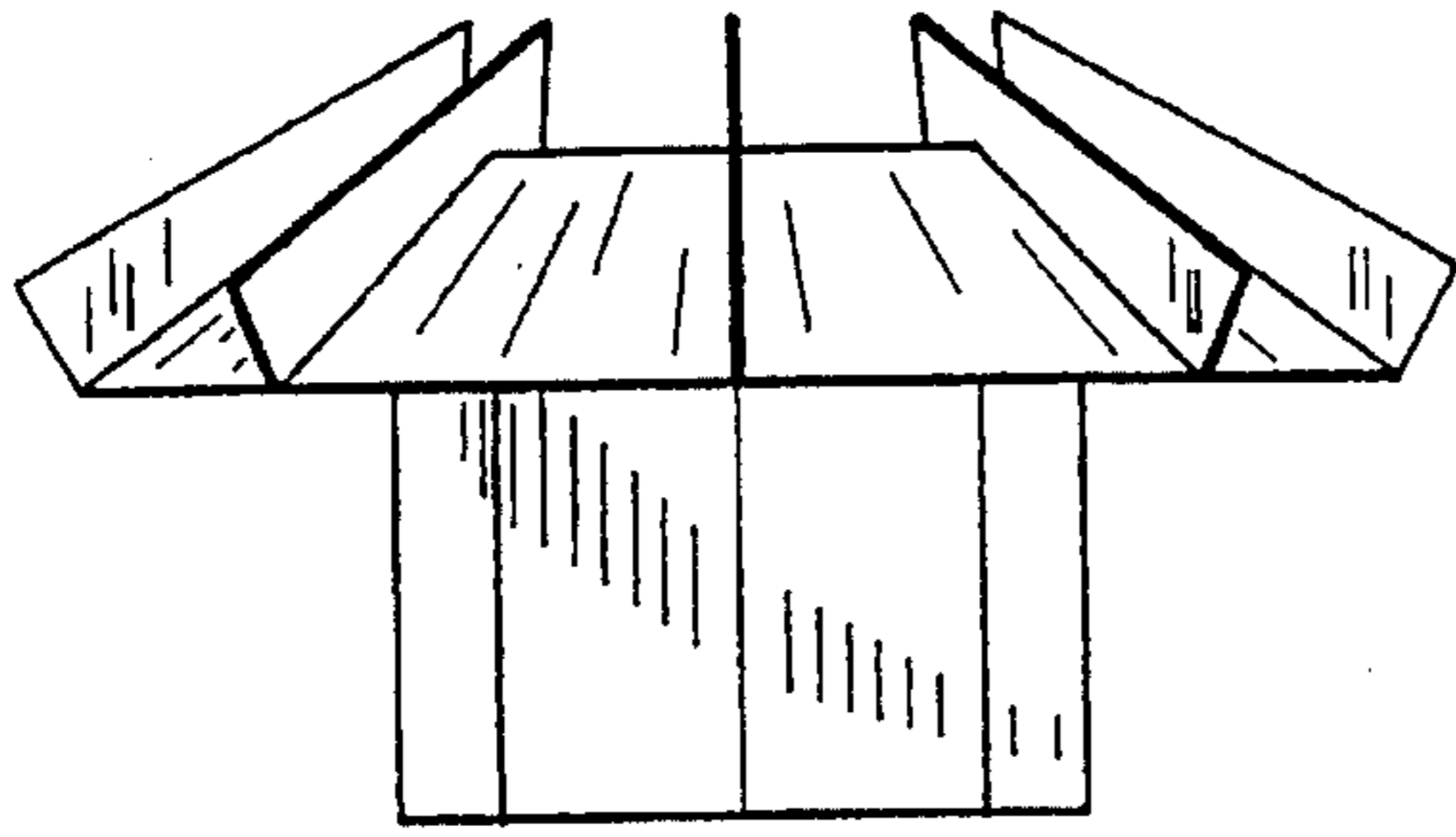


FIG. 40

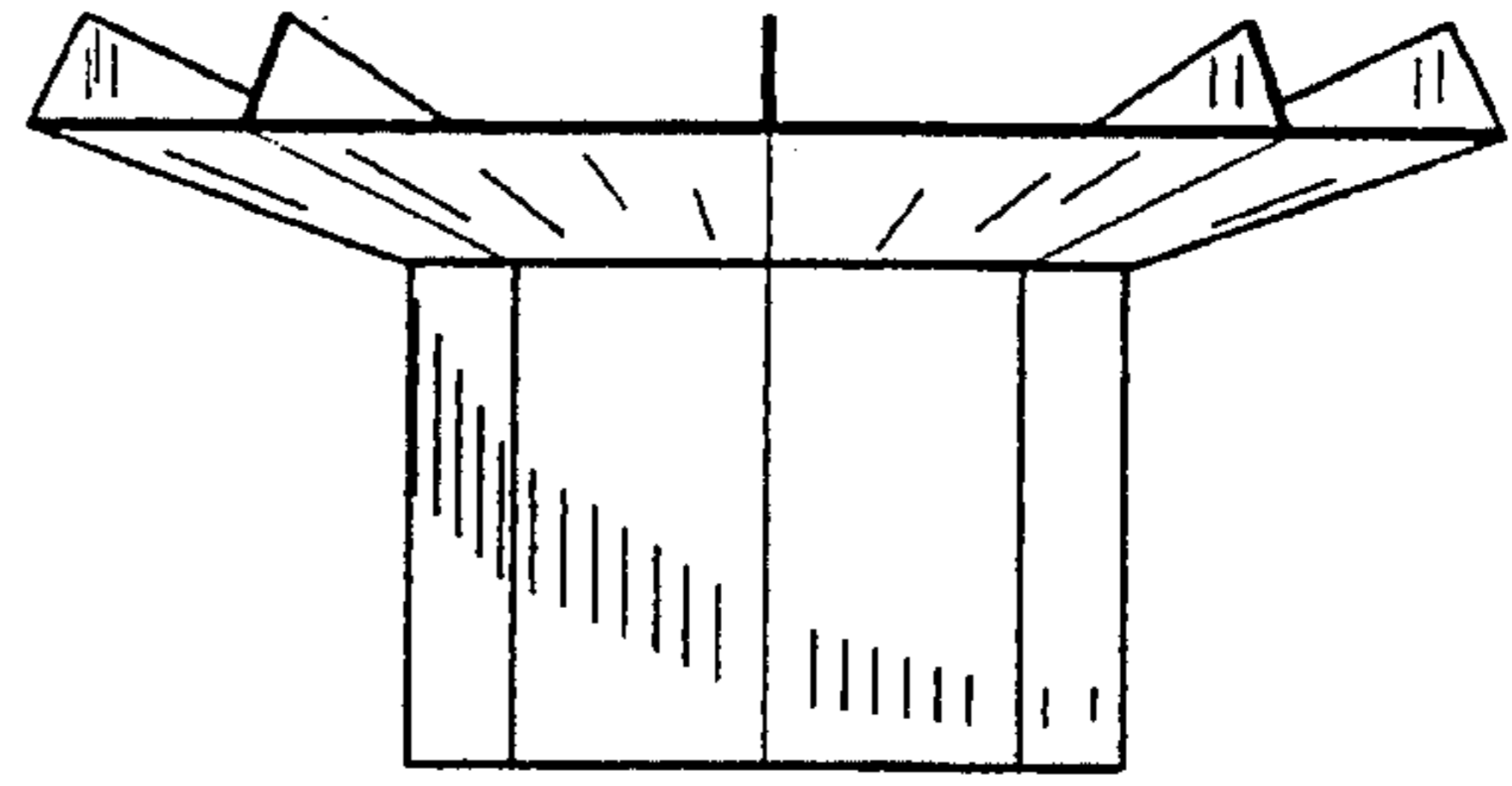


FIG. 41

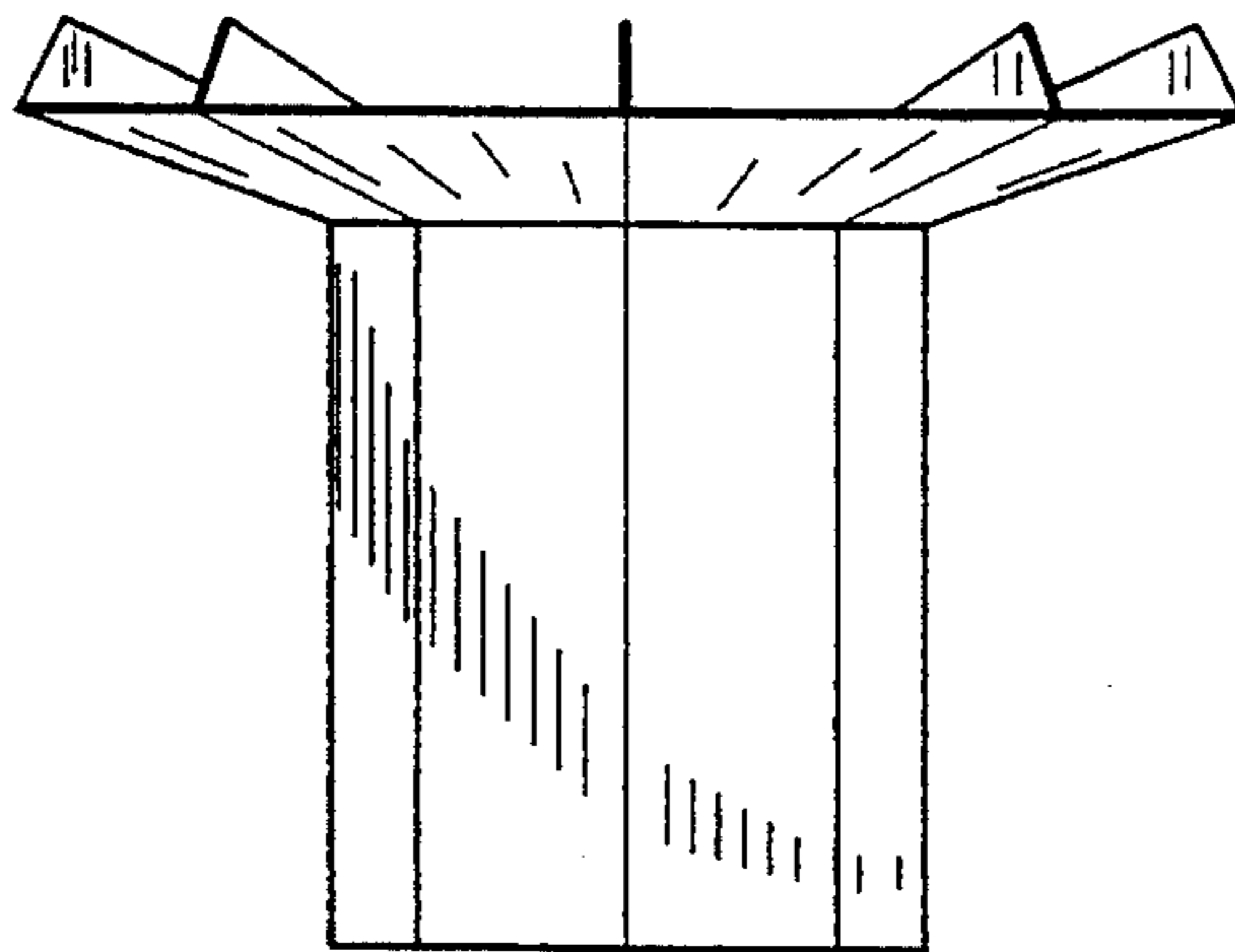


FIG. 42

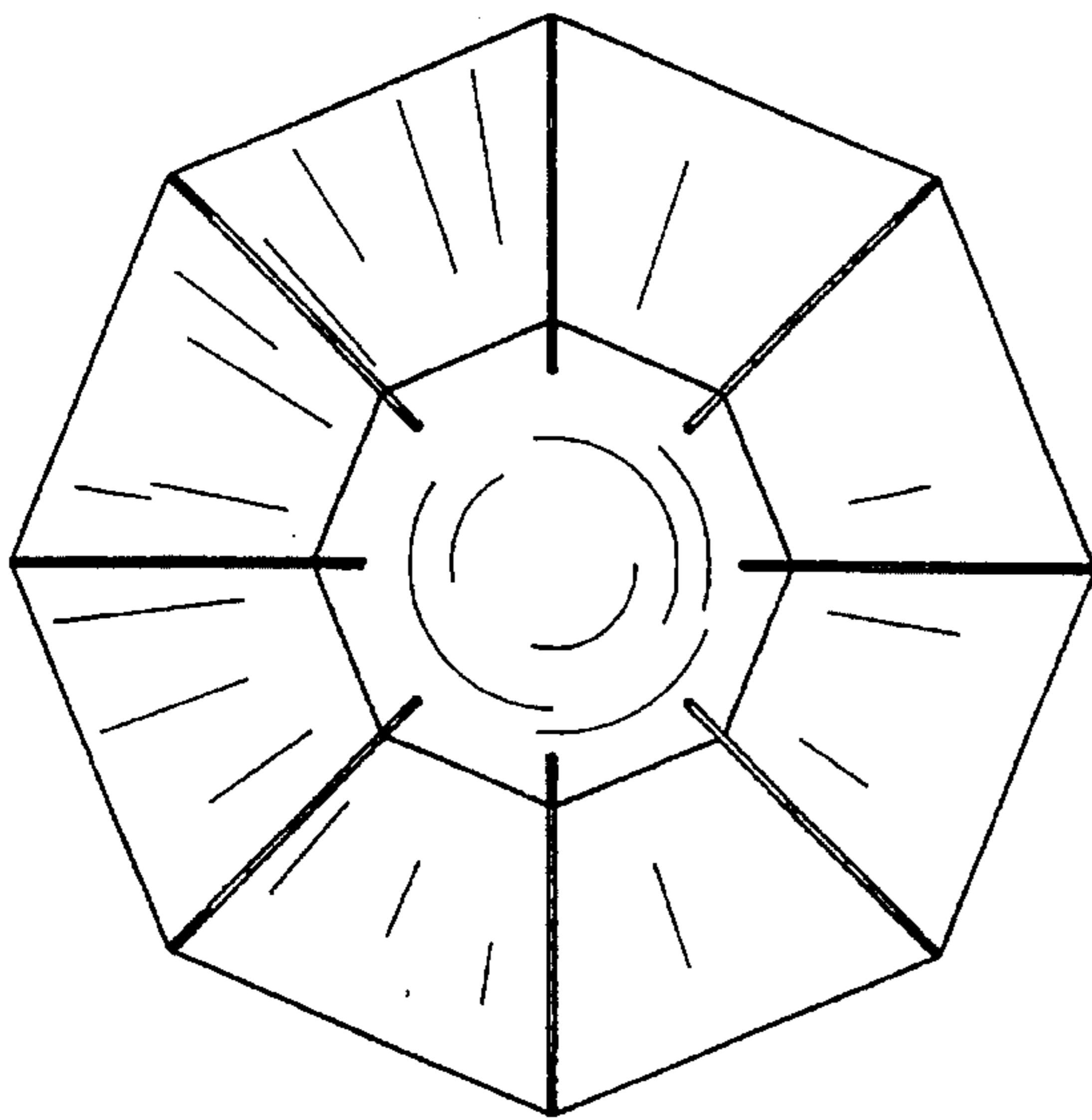


FIG. 43

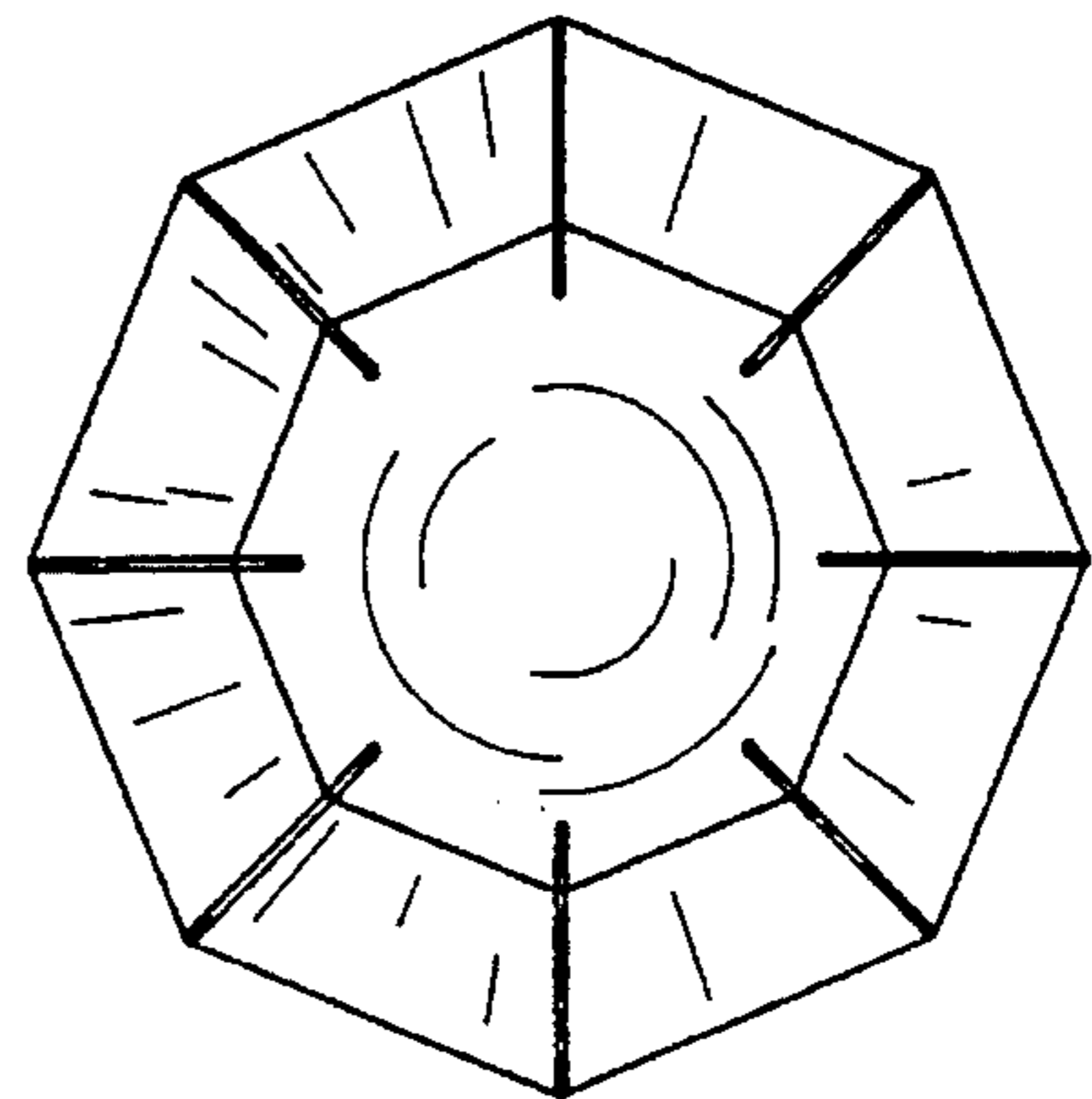


FIG. 44

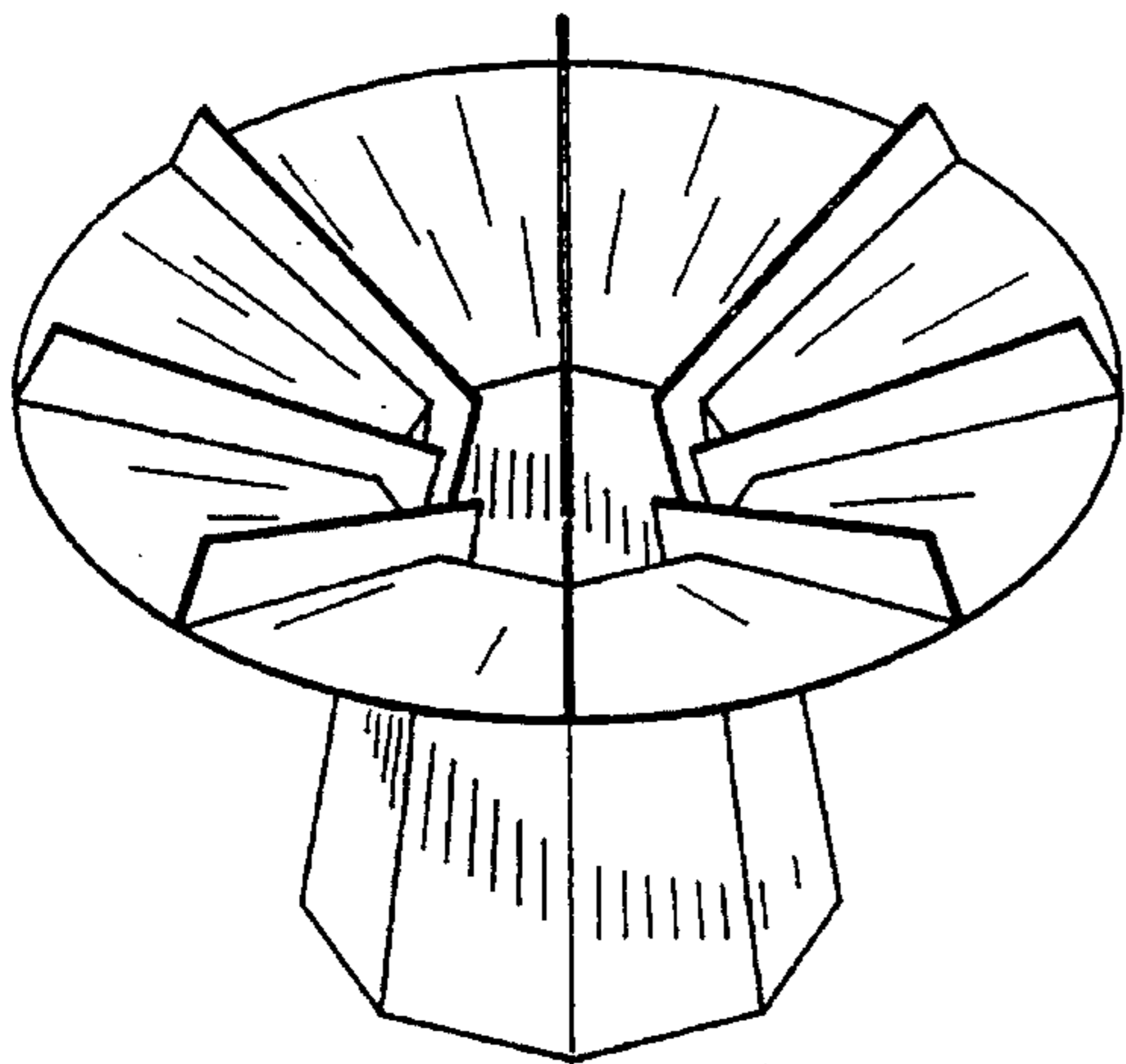


FIG. 45

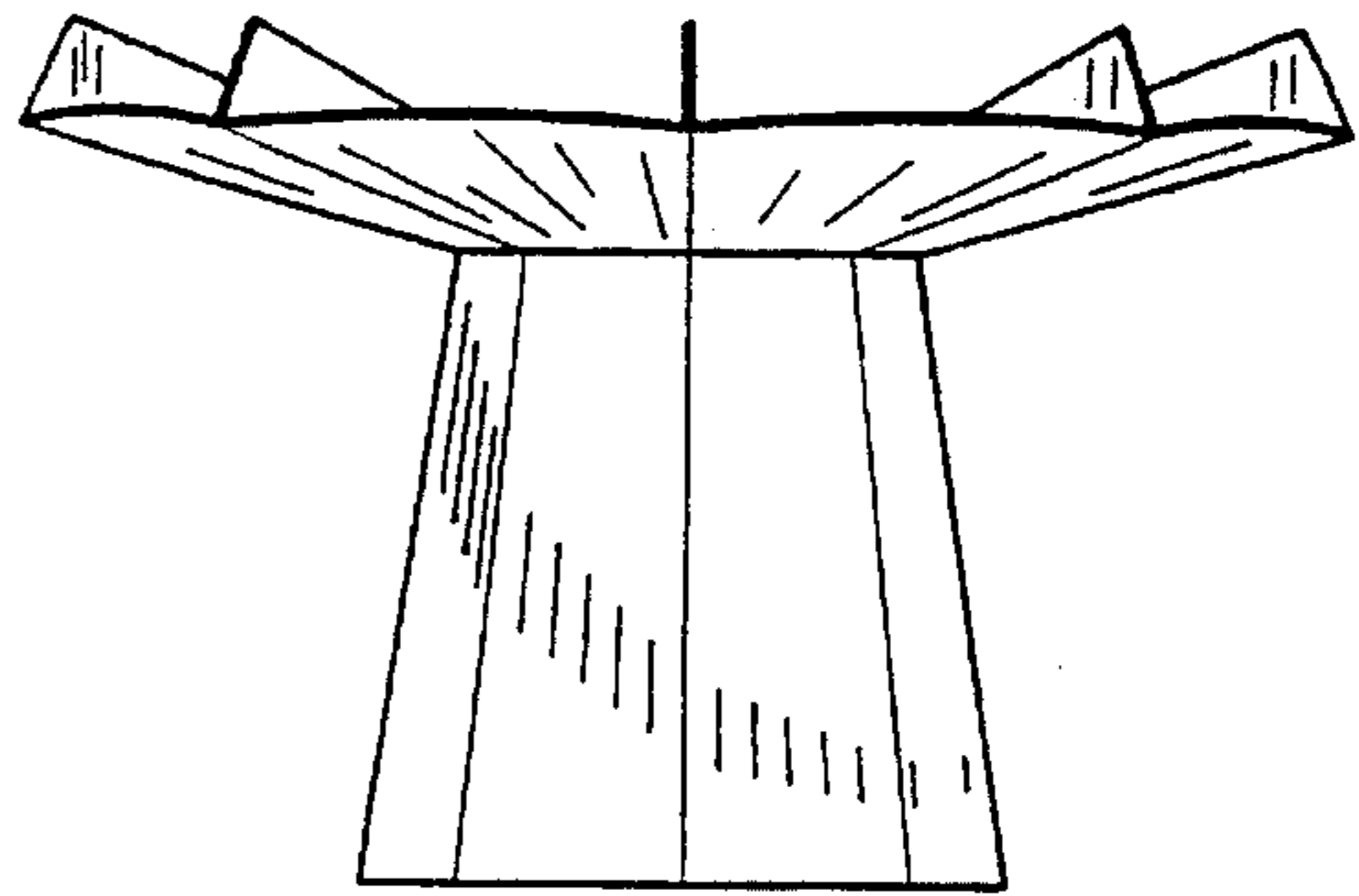


FIG. 46

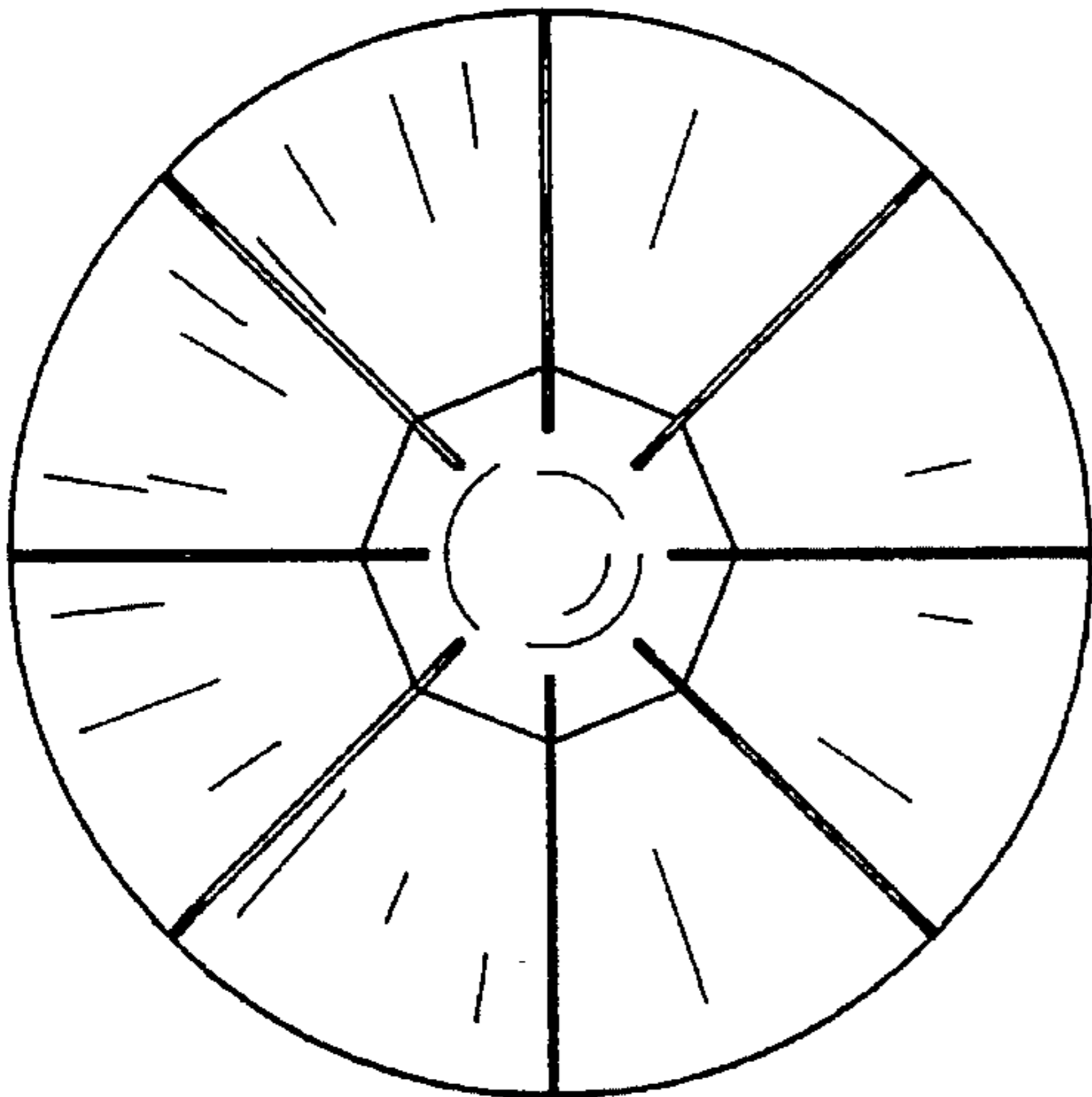


FIG. 47

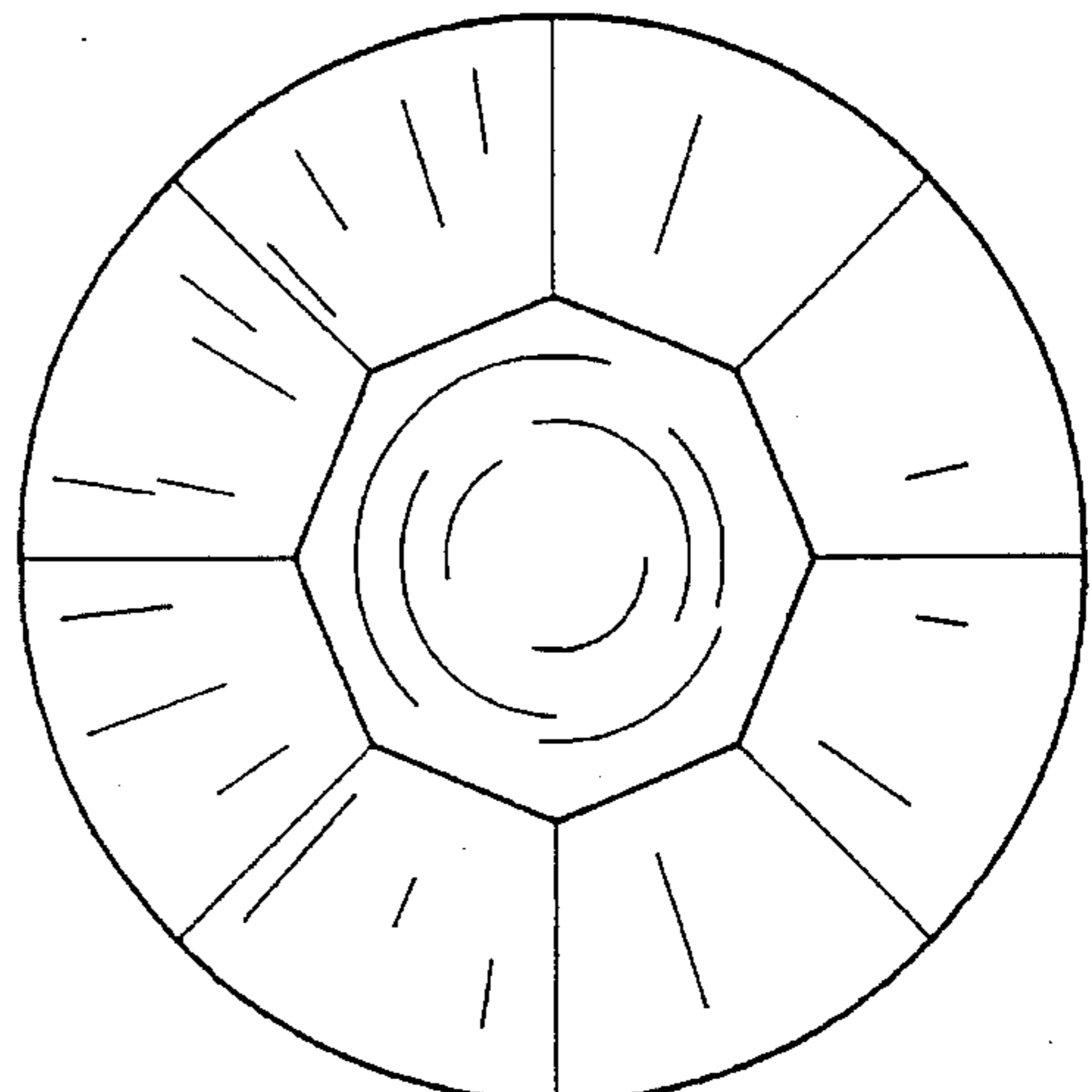


FIG. 48

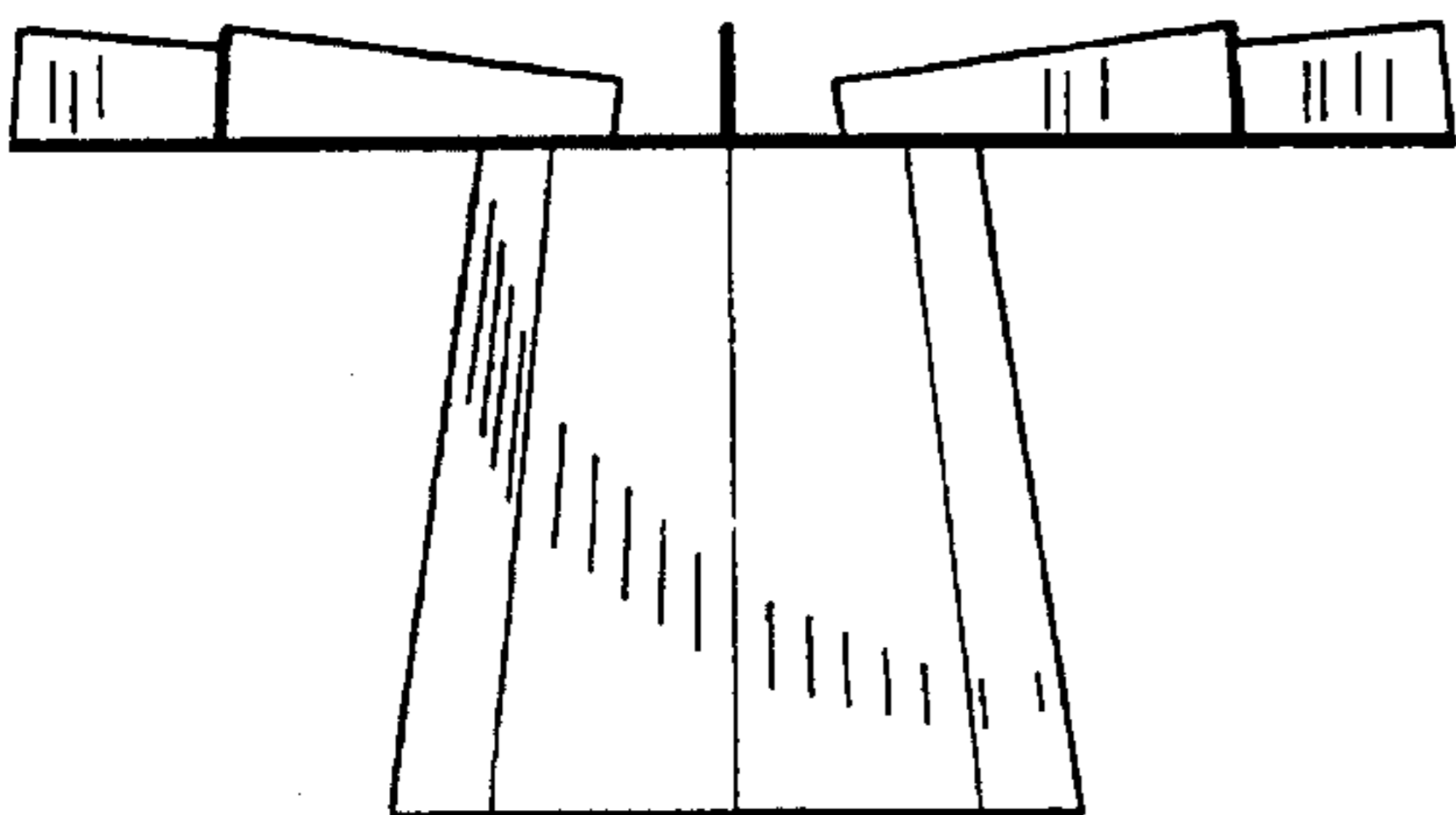


FIG. 49

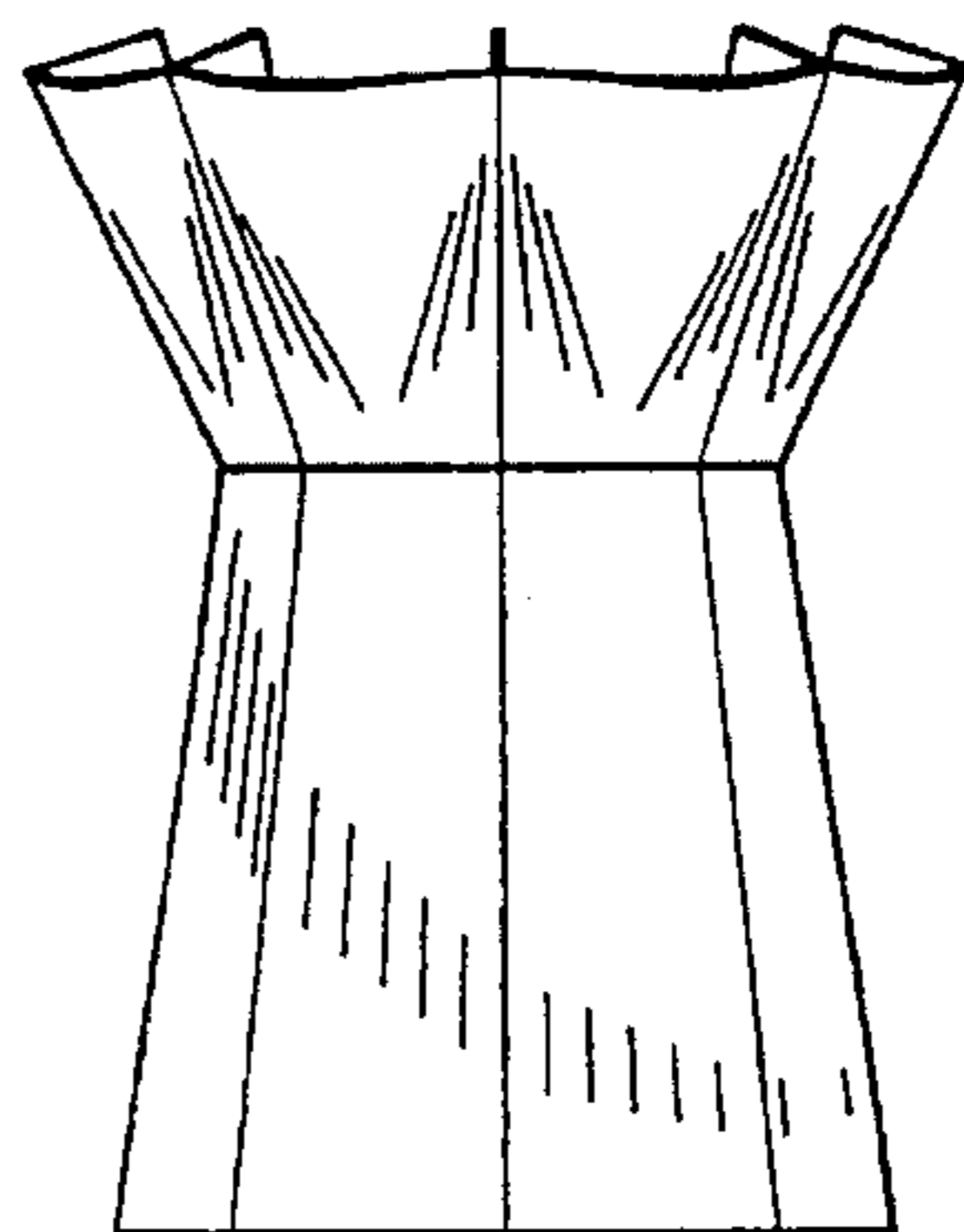


FIG. 50

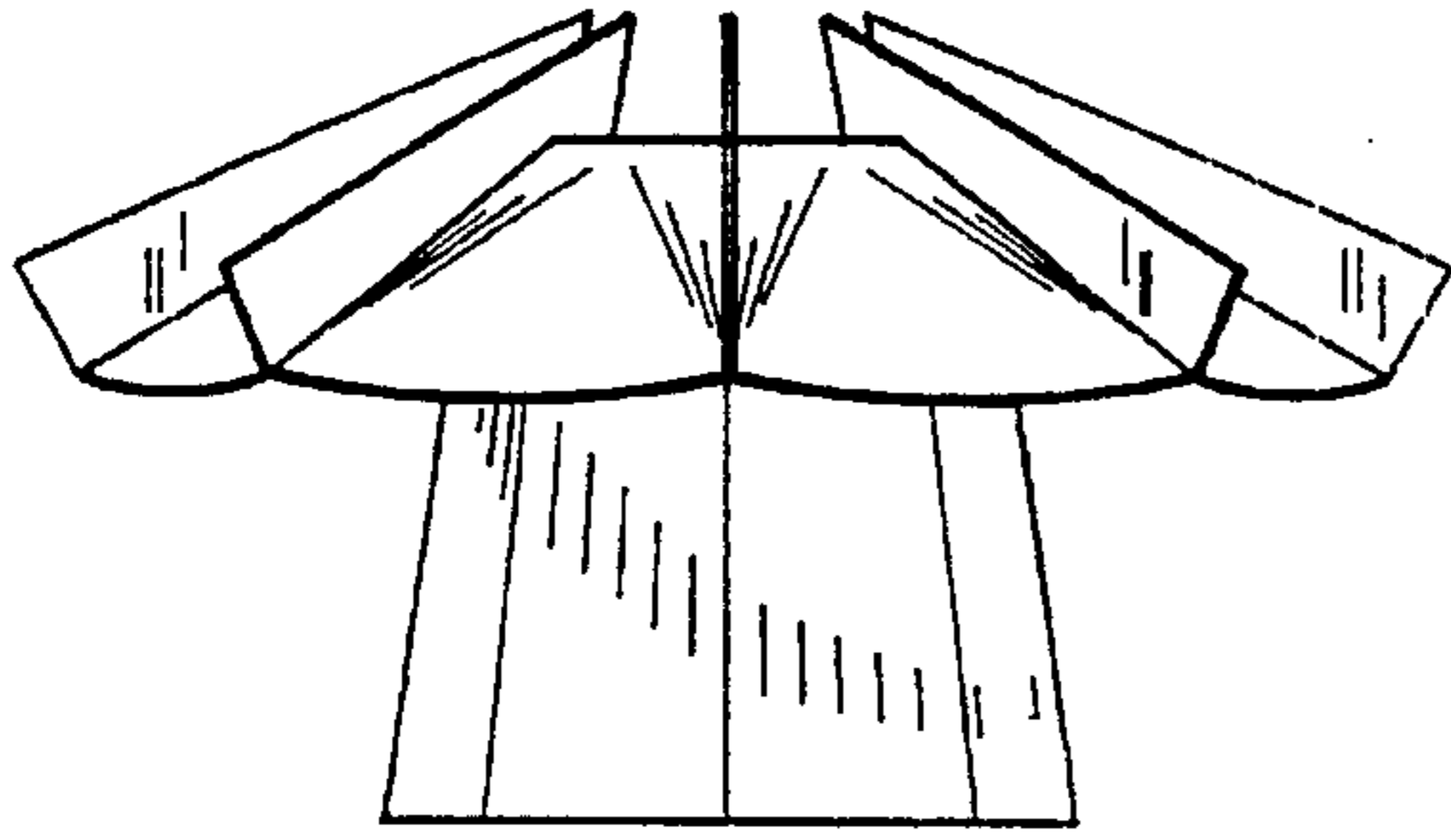


FIG. 51

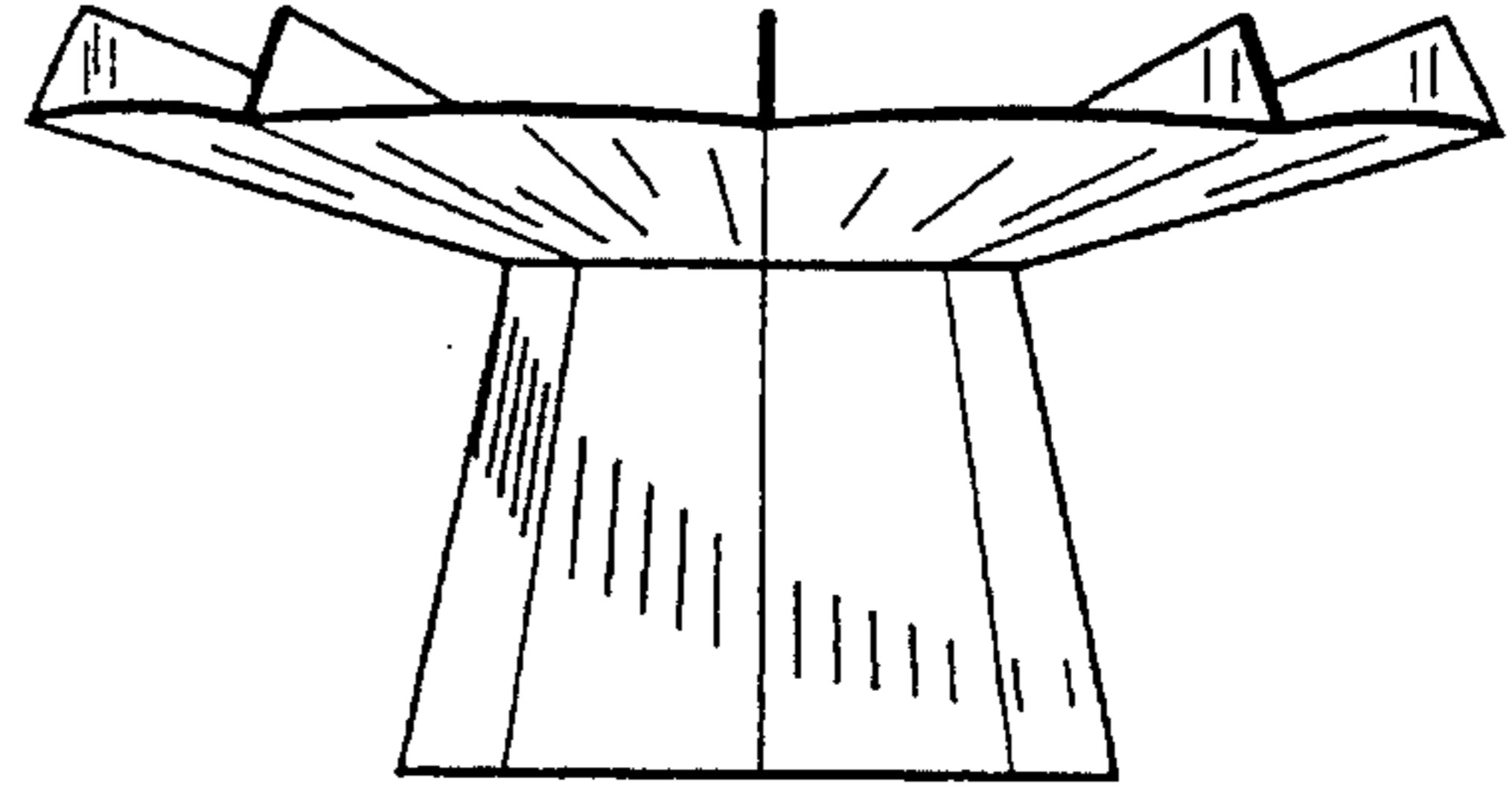


FIG. 52

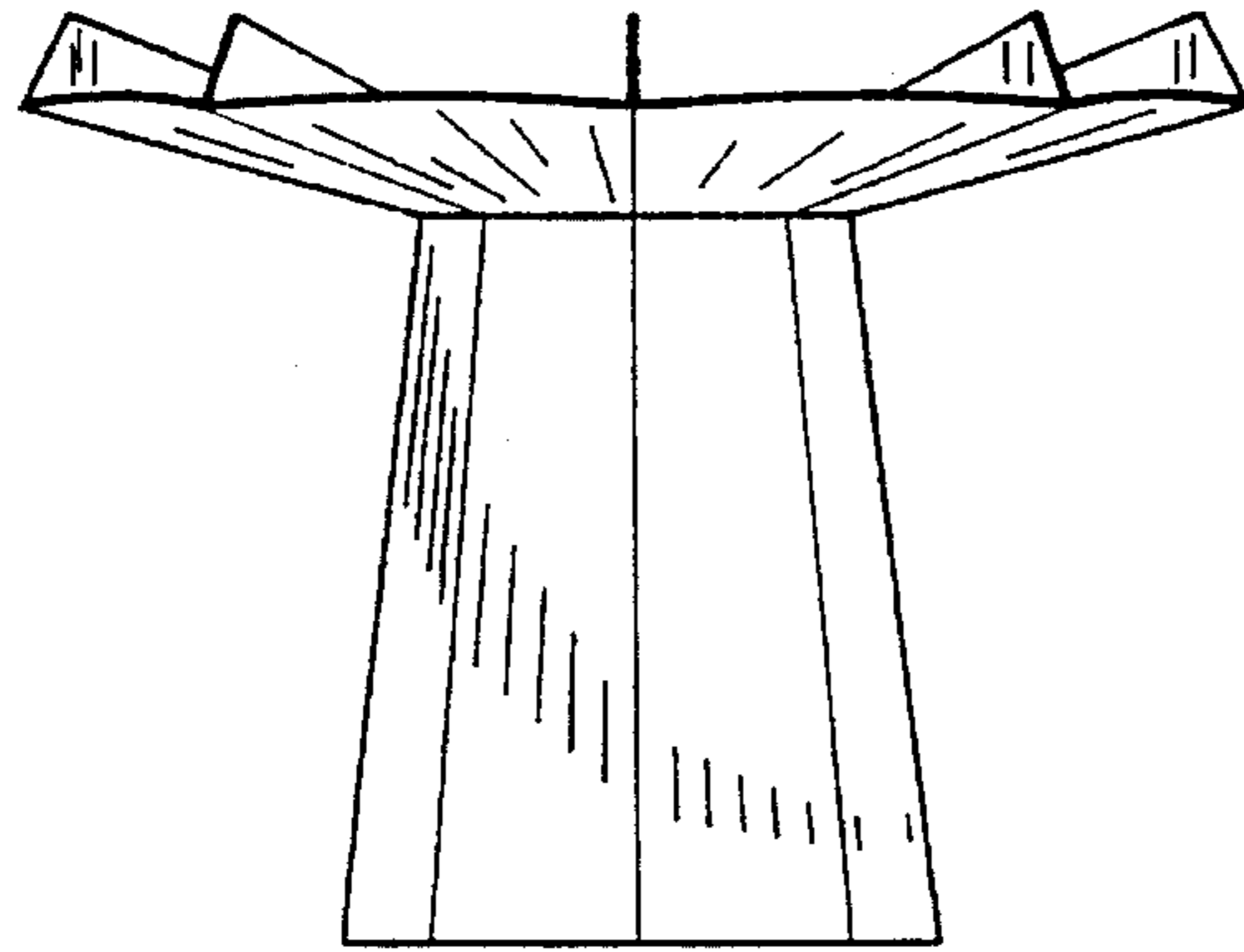


FIG. 53

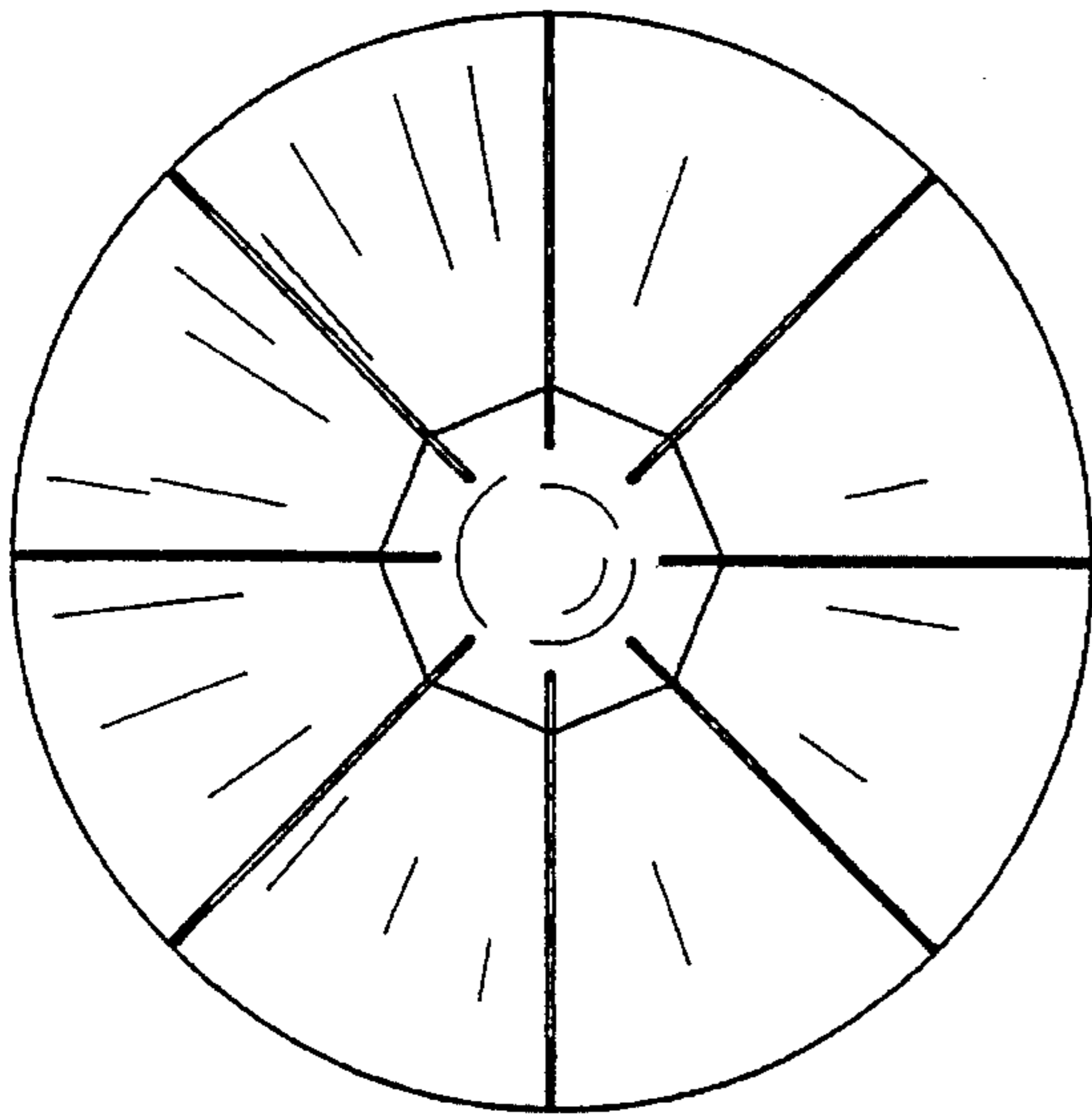


FIG. 54

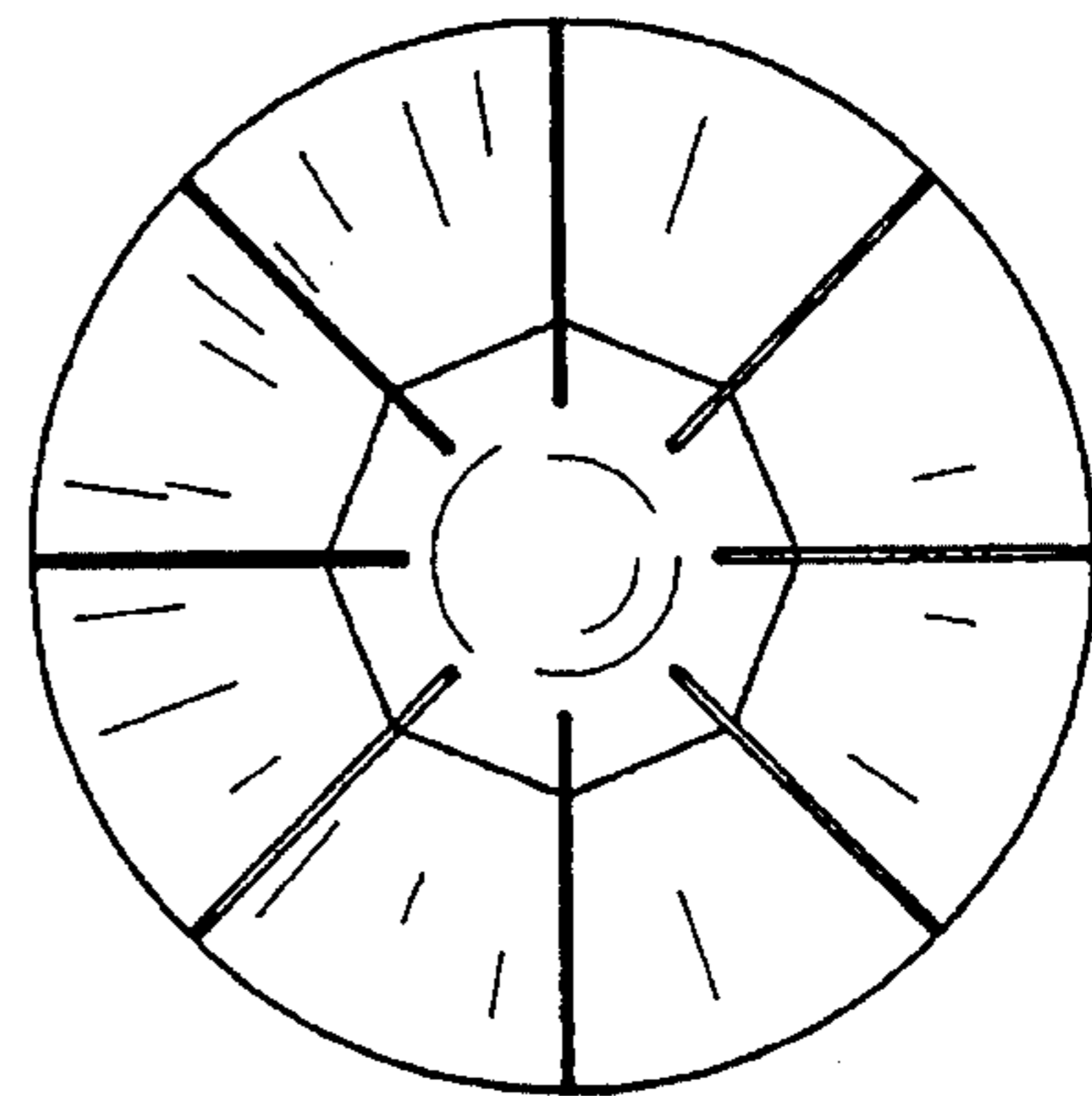


FIG. 55

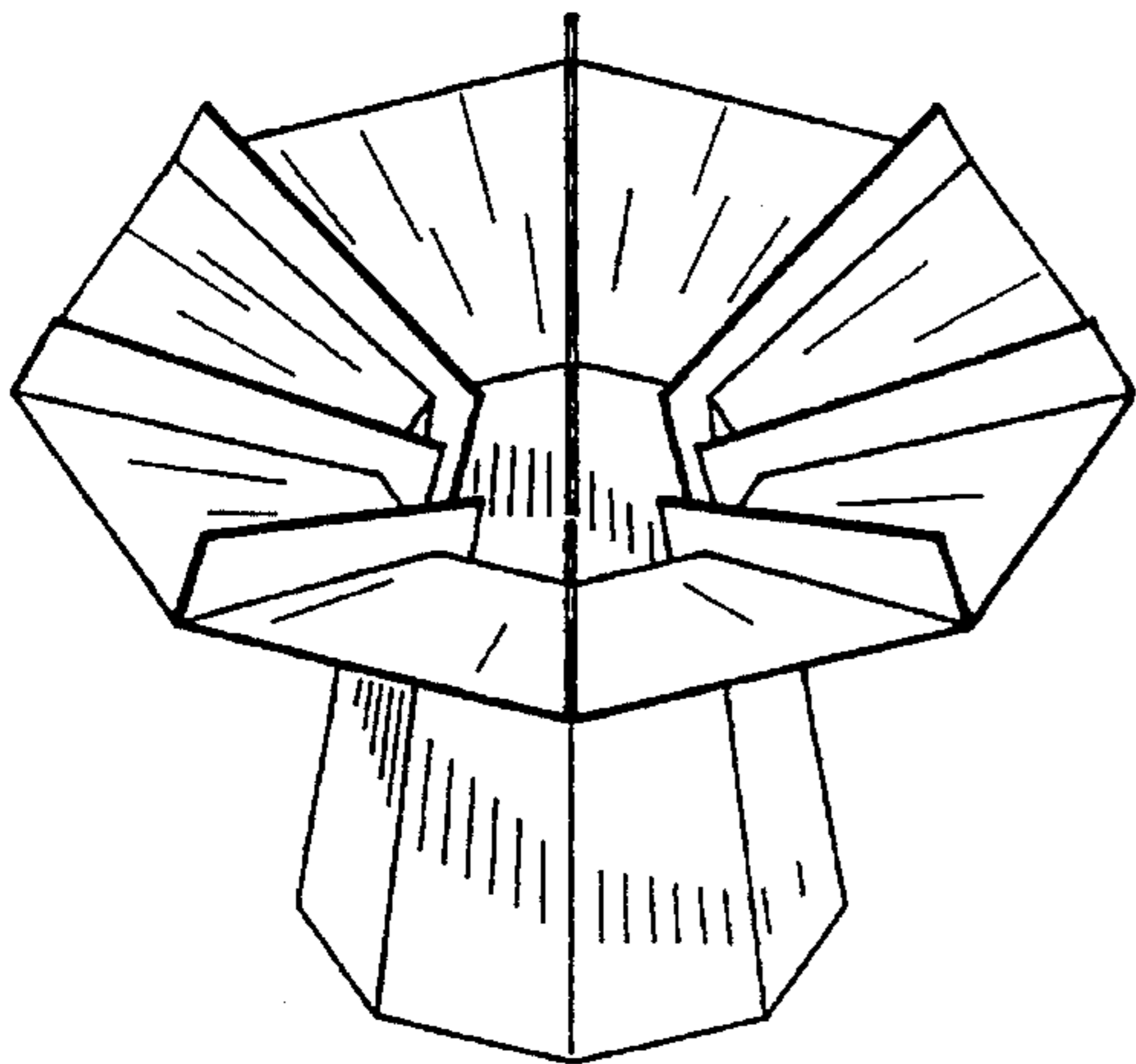


FIG. 55

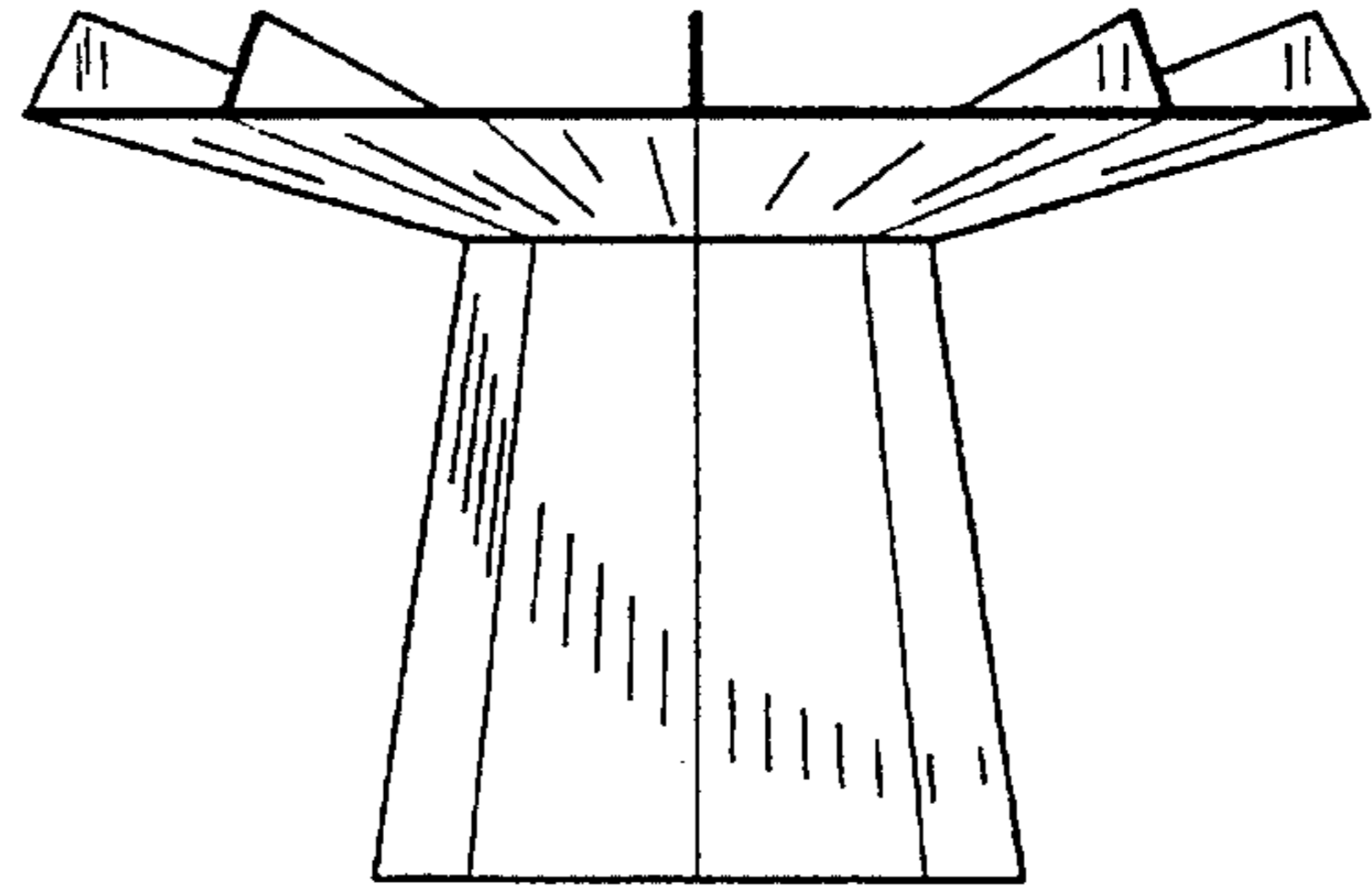


FIG. 57

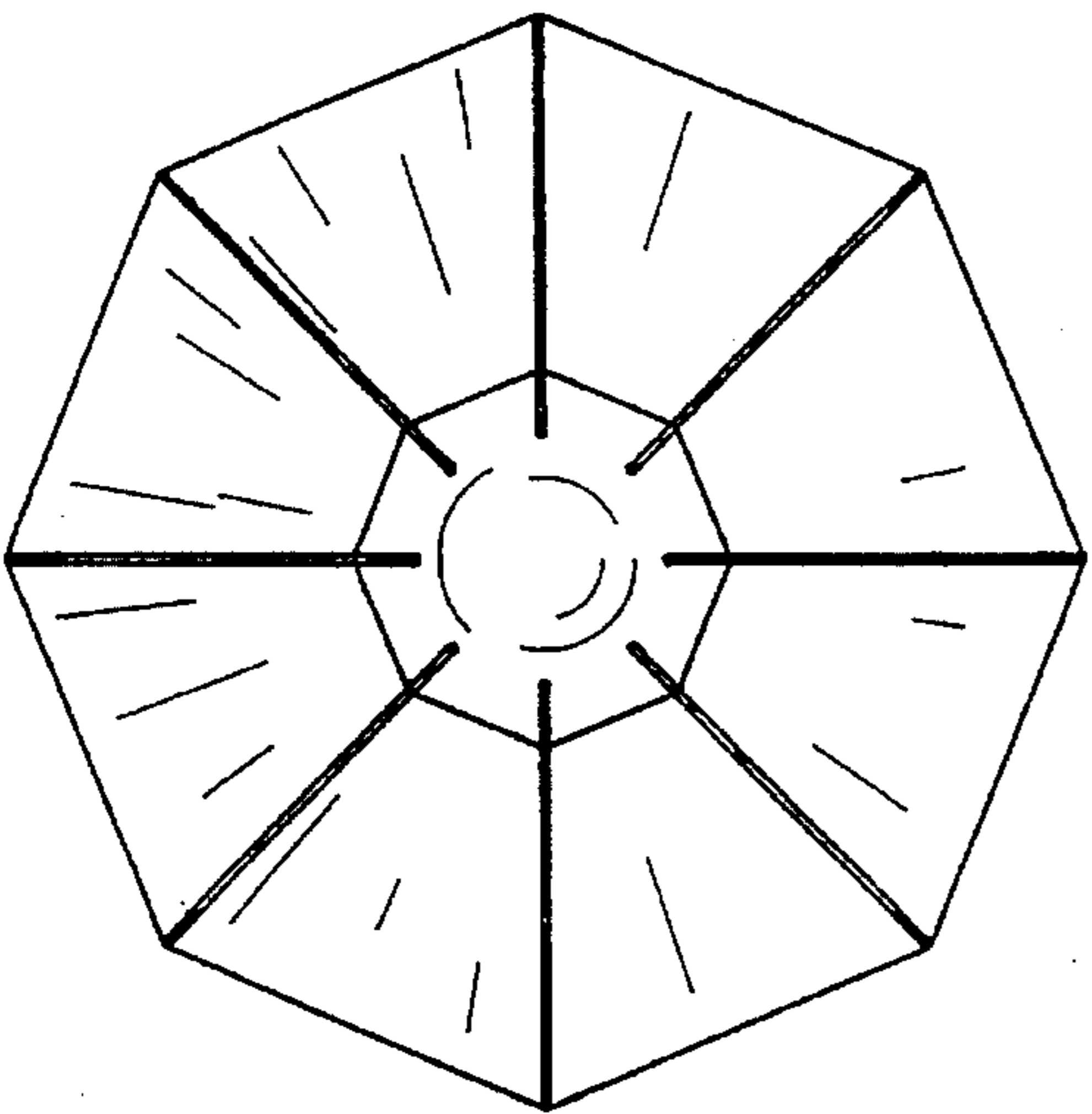


FIG. 58

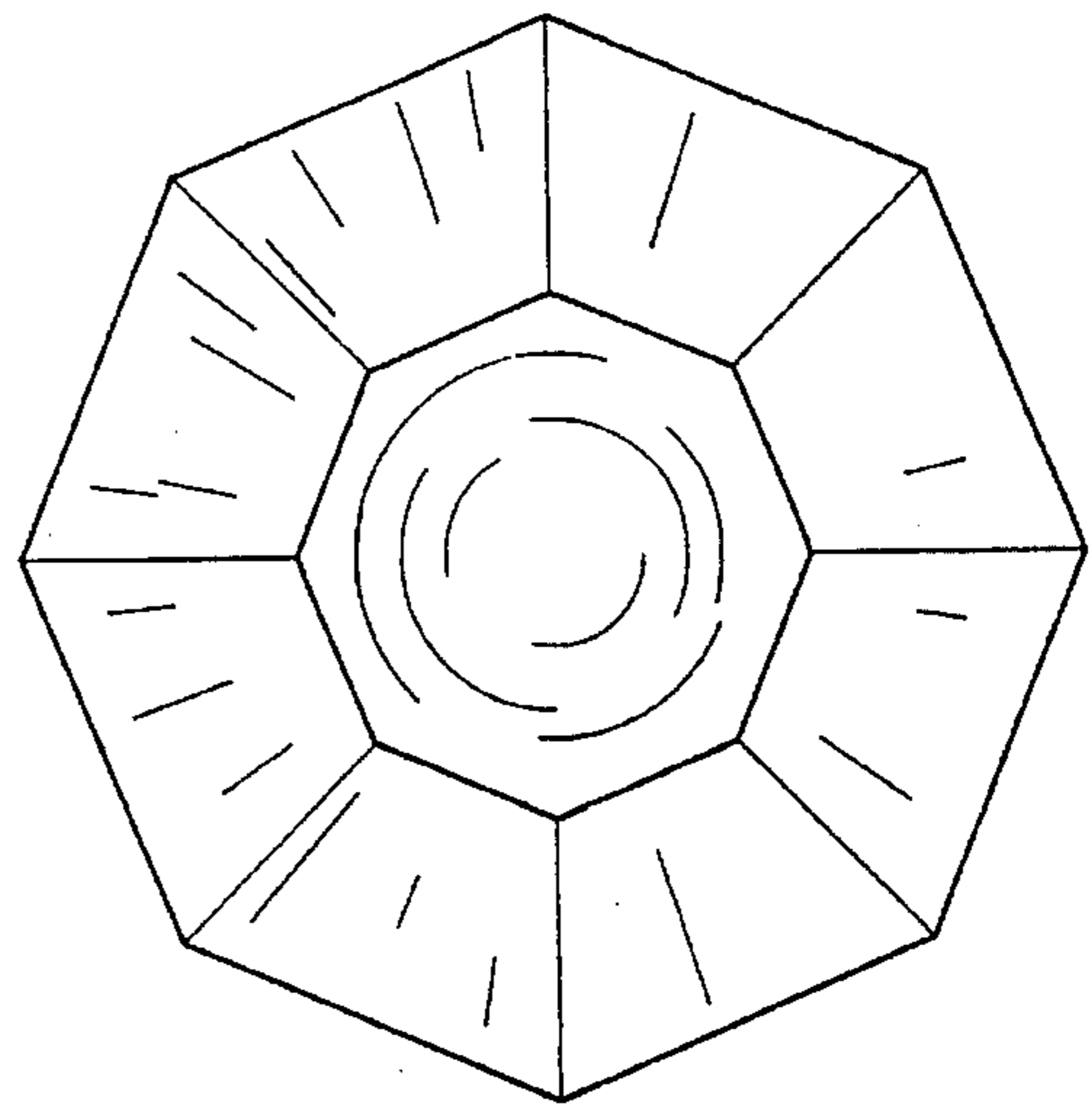


FIG. 59

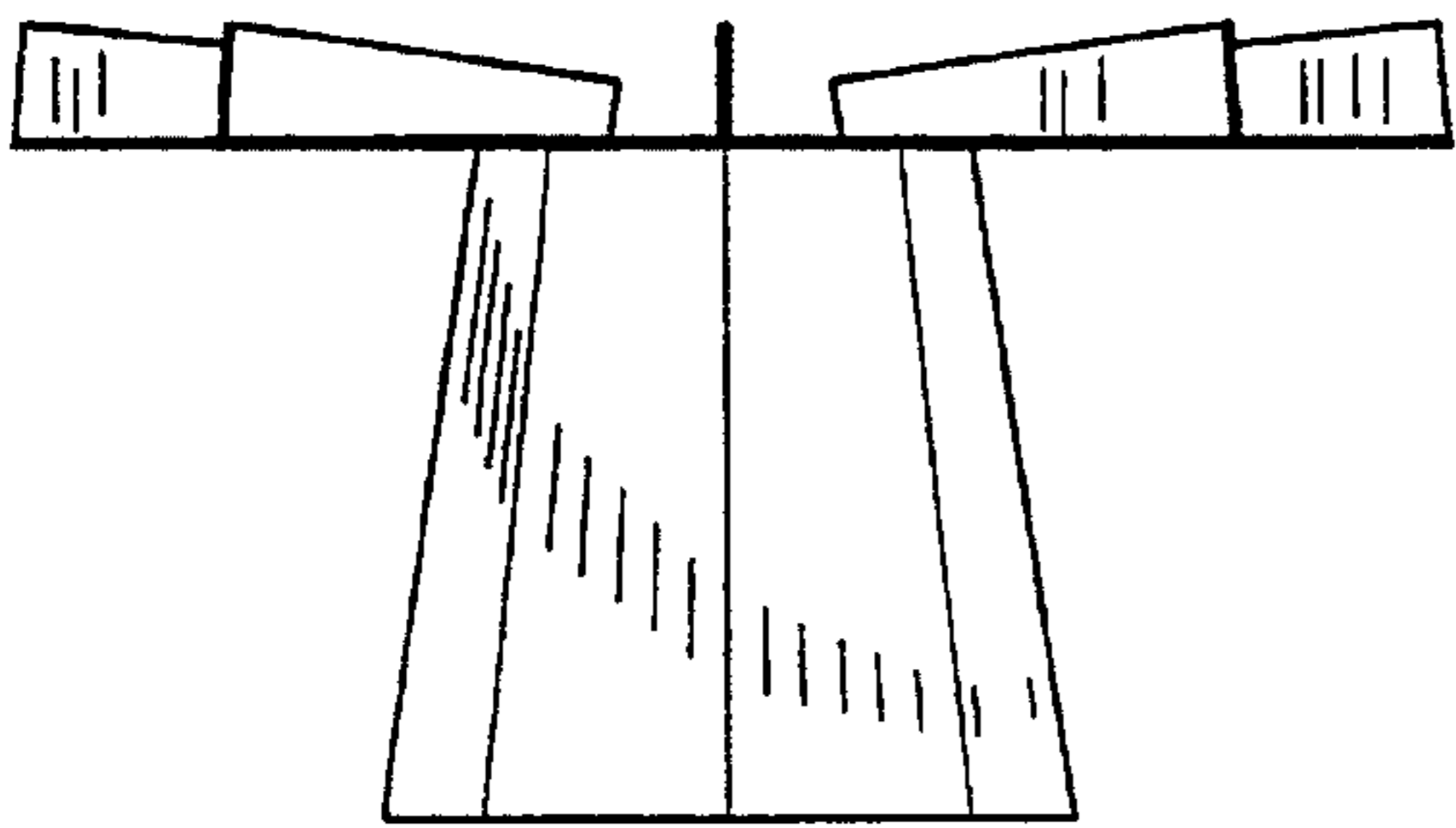


FIG. 60

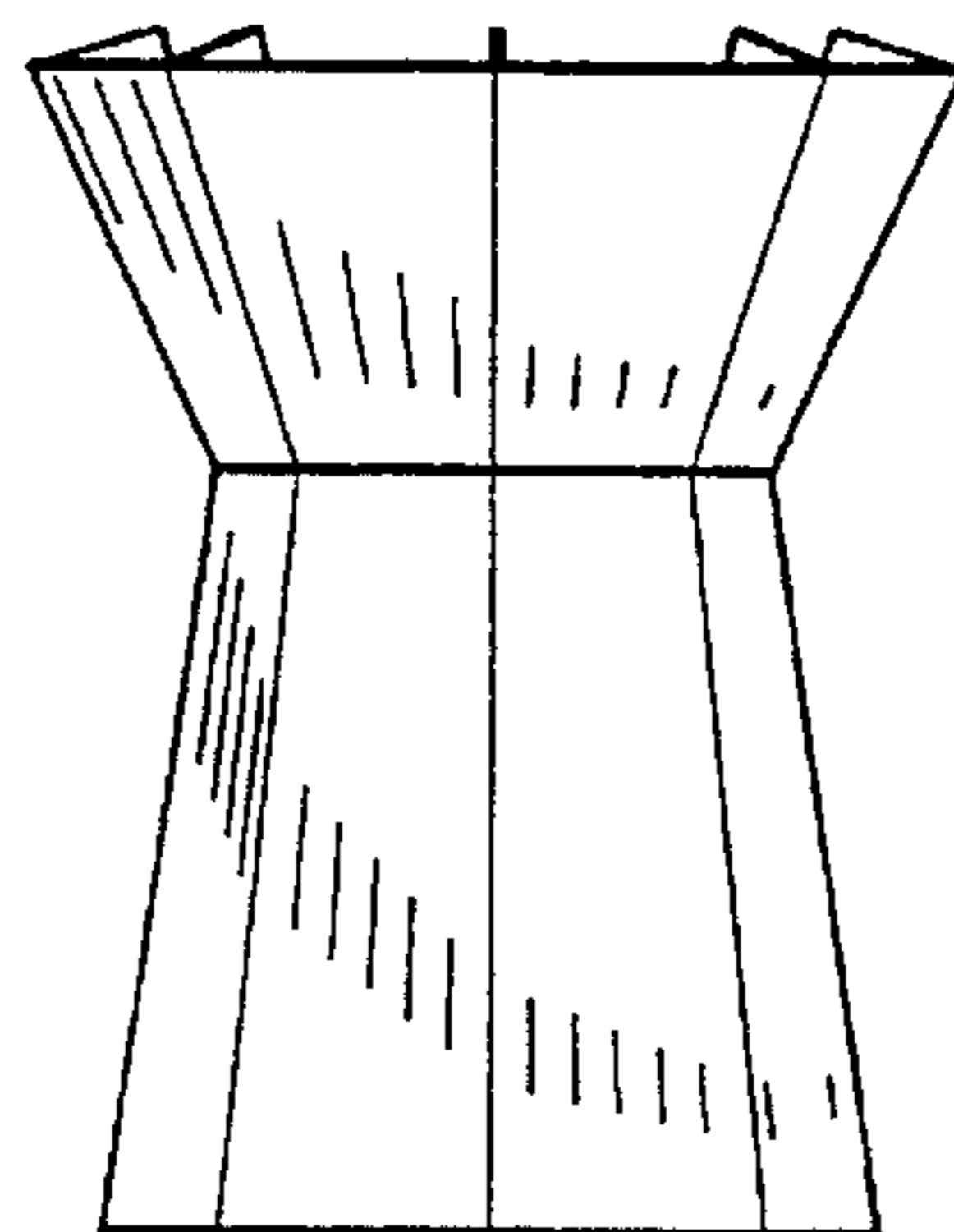


FIG. 61

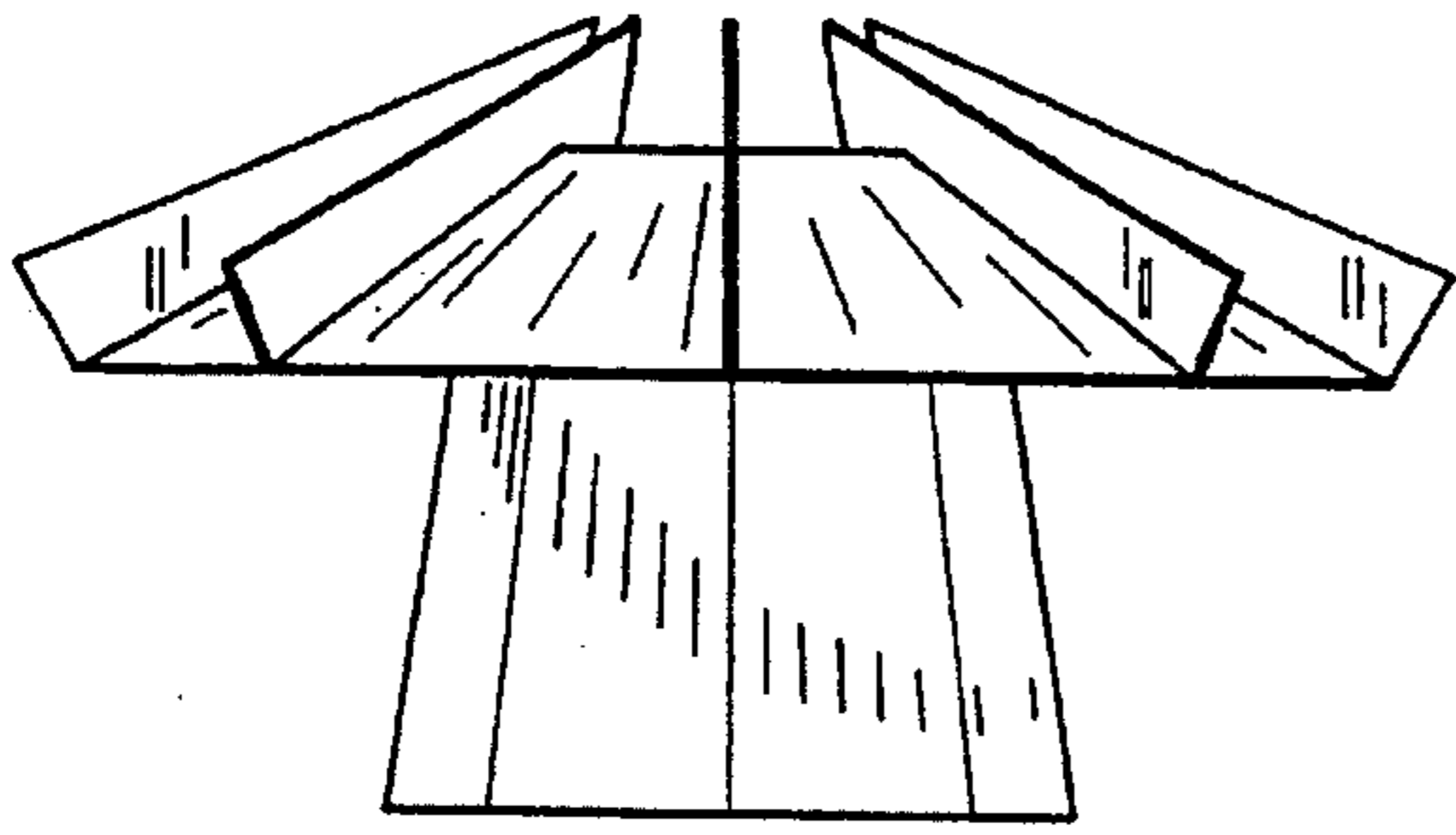


FIG. 52

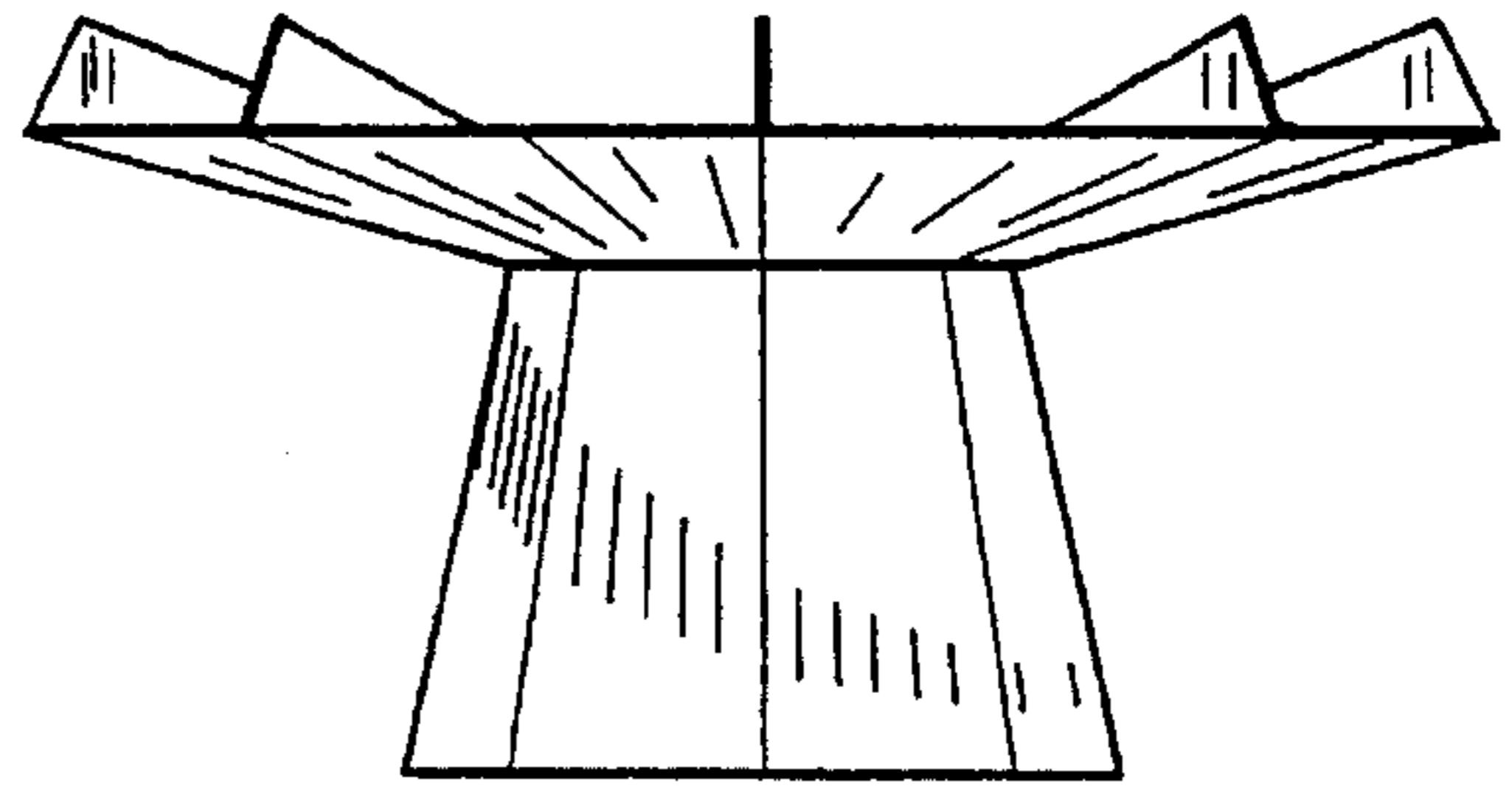


FIG. 53

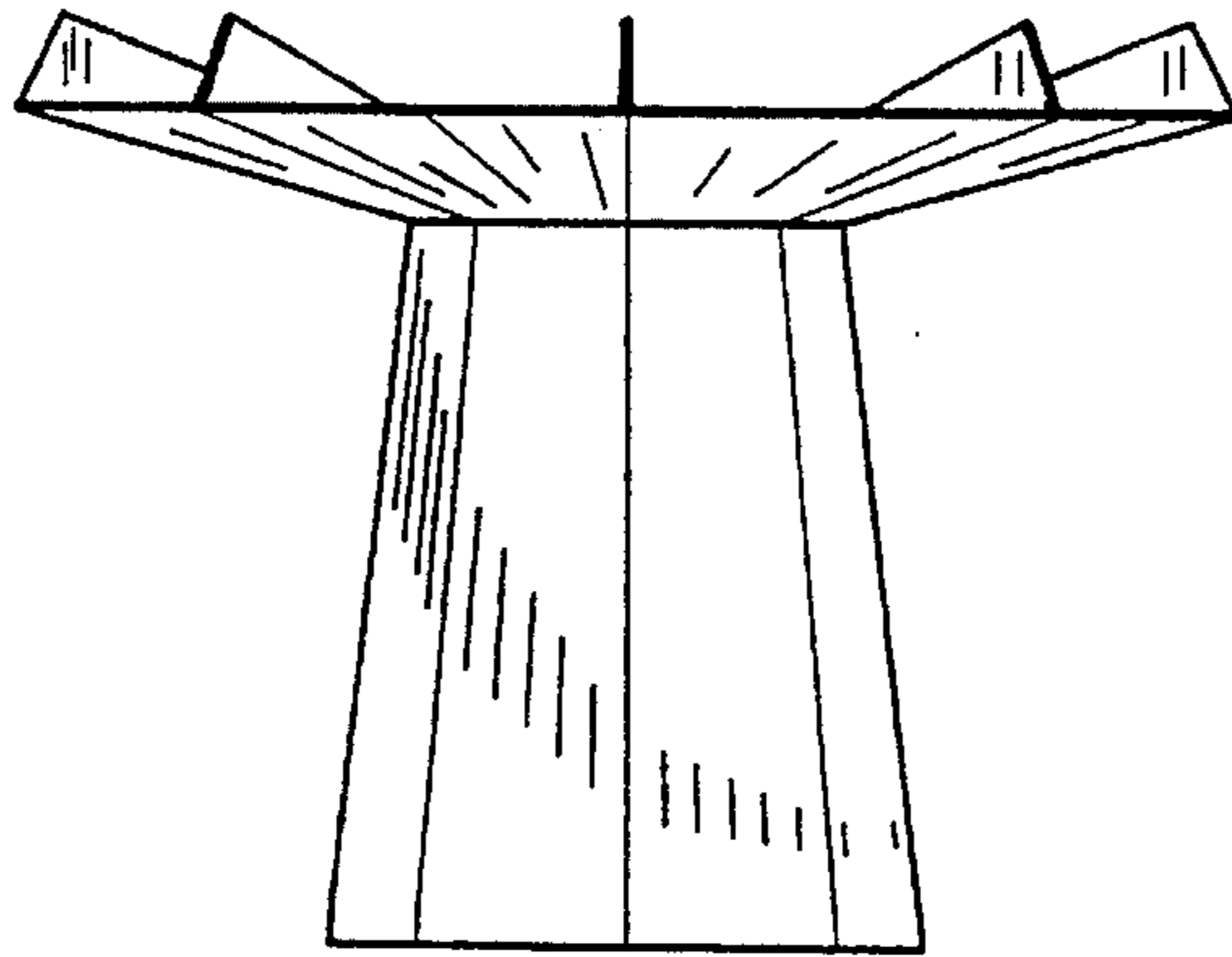


FIG. 54

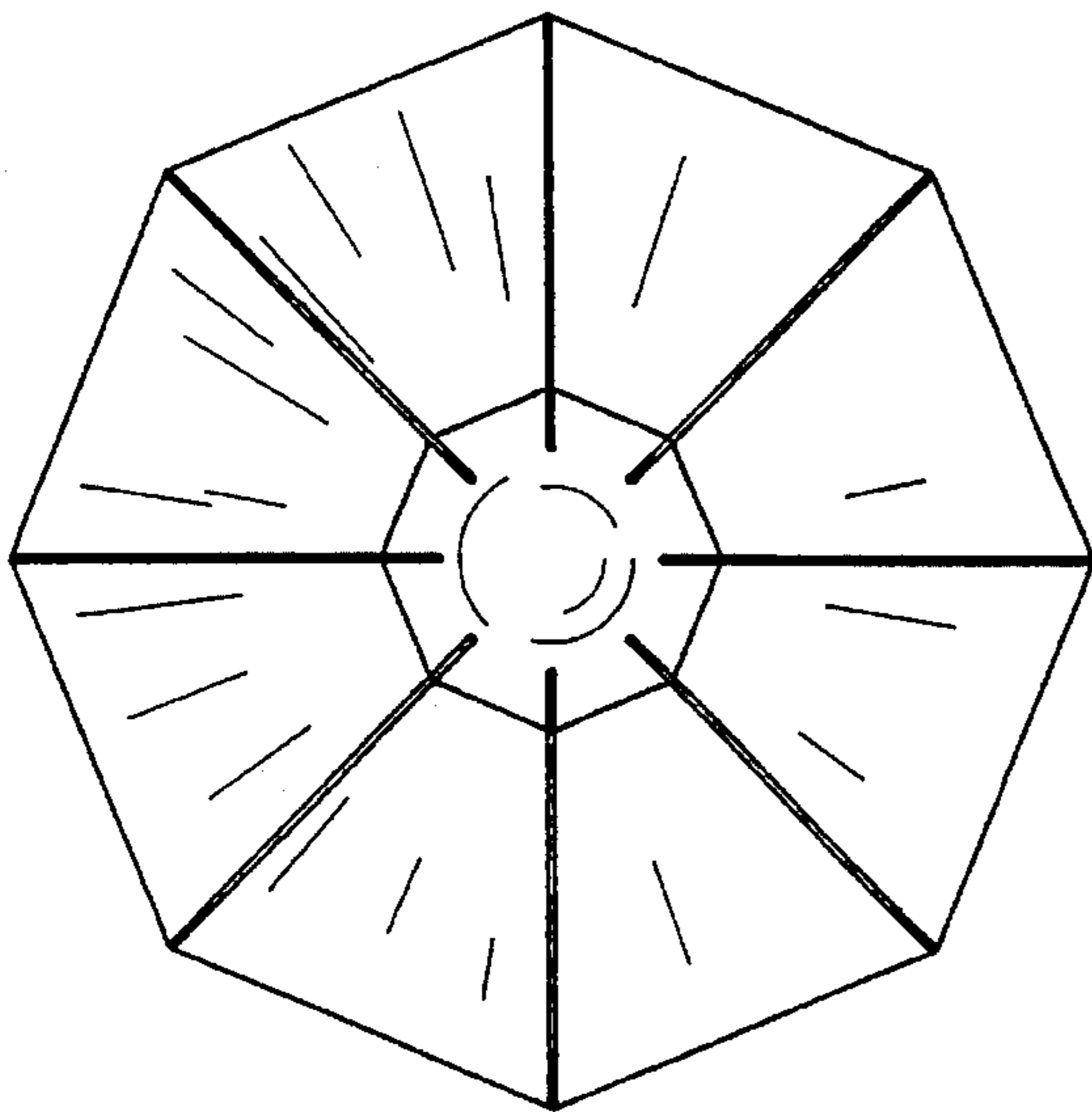


FIG. 55

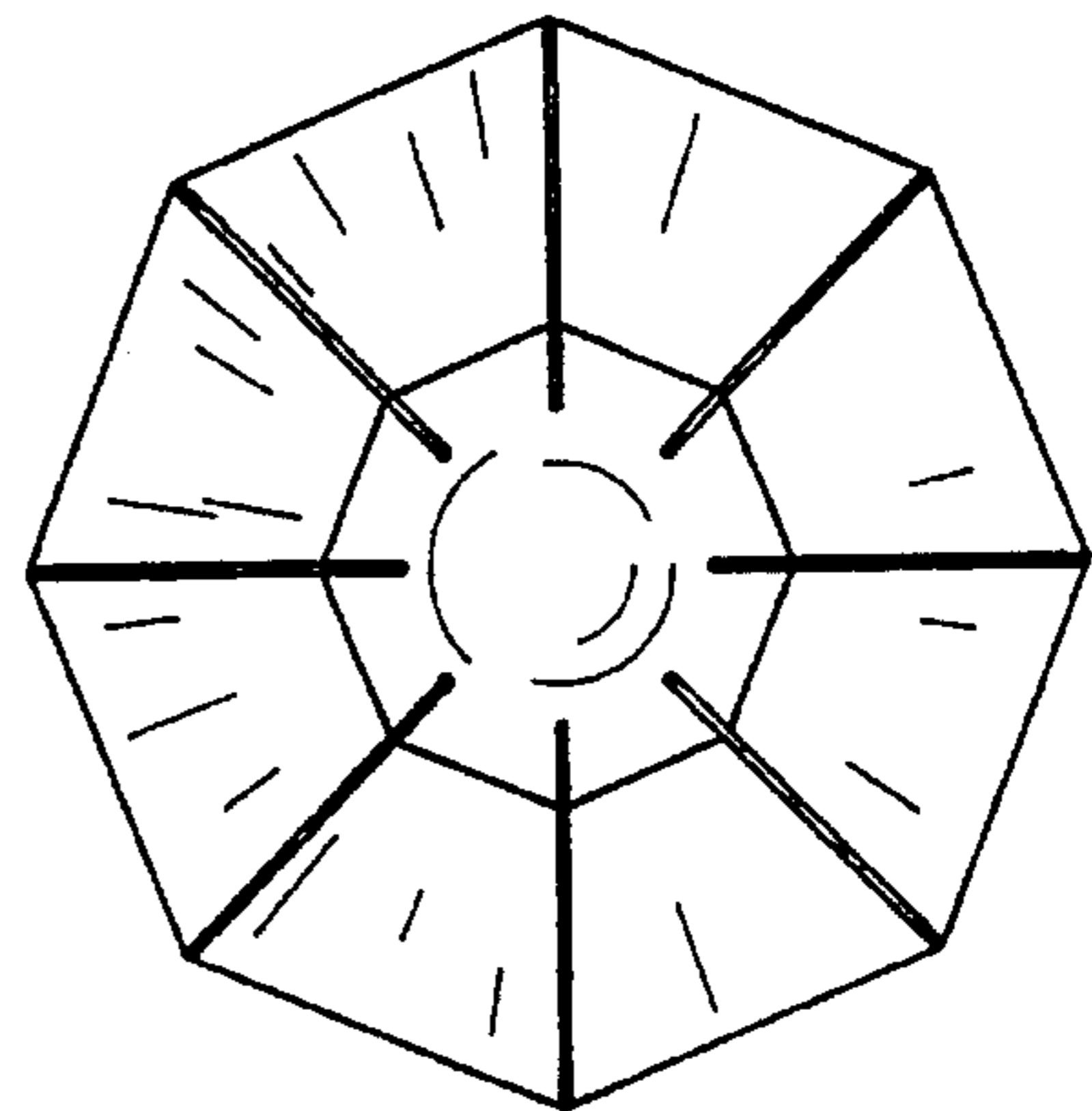


FIG. 56