



US00D368869S

United States Patent [19]

Pinchasov et al.

[11] Patent Number: **Des. 368,869**

[45] Date of Patent: ****Apr. 16, 1996**

[54] **DIAMOND SHAPED AS A CROSS**

[76] Inventors: **Pinchas Pinchasov**, 41a Ein Ganim St.;
Shai Pinchasov, 13 Menachem Begin St., both of Petach Tikva, Israel

[**] Term: **14 Years**

[21] Appl. No.: **30,380**

[22] Filed: **Oct. 28, 1994**

[30] **Foreign Application Priority Data**

Oct. 18, 1994 [IL] Israel 23459

[52] **U.S. Cl.** **D11/90**

[58] **Field of Search** D11/1-2, 89, 90,
D11/81; 63/32

[56] **References Cited**

U.S. PATENT DOCUMENTS

D. 216,371 12/1969 Winchell D11/81

D. 259,477 6/1981 Najjar D11/90
D. 259,548 6/1981 Najjar D11/90
D. 262,200 12/1981 Kirwan D11/90

Primary Examiner—Ralf Seifert
Attorney, Agent, or Firm—Edward Langer

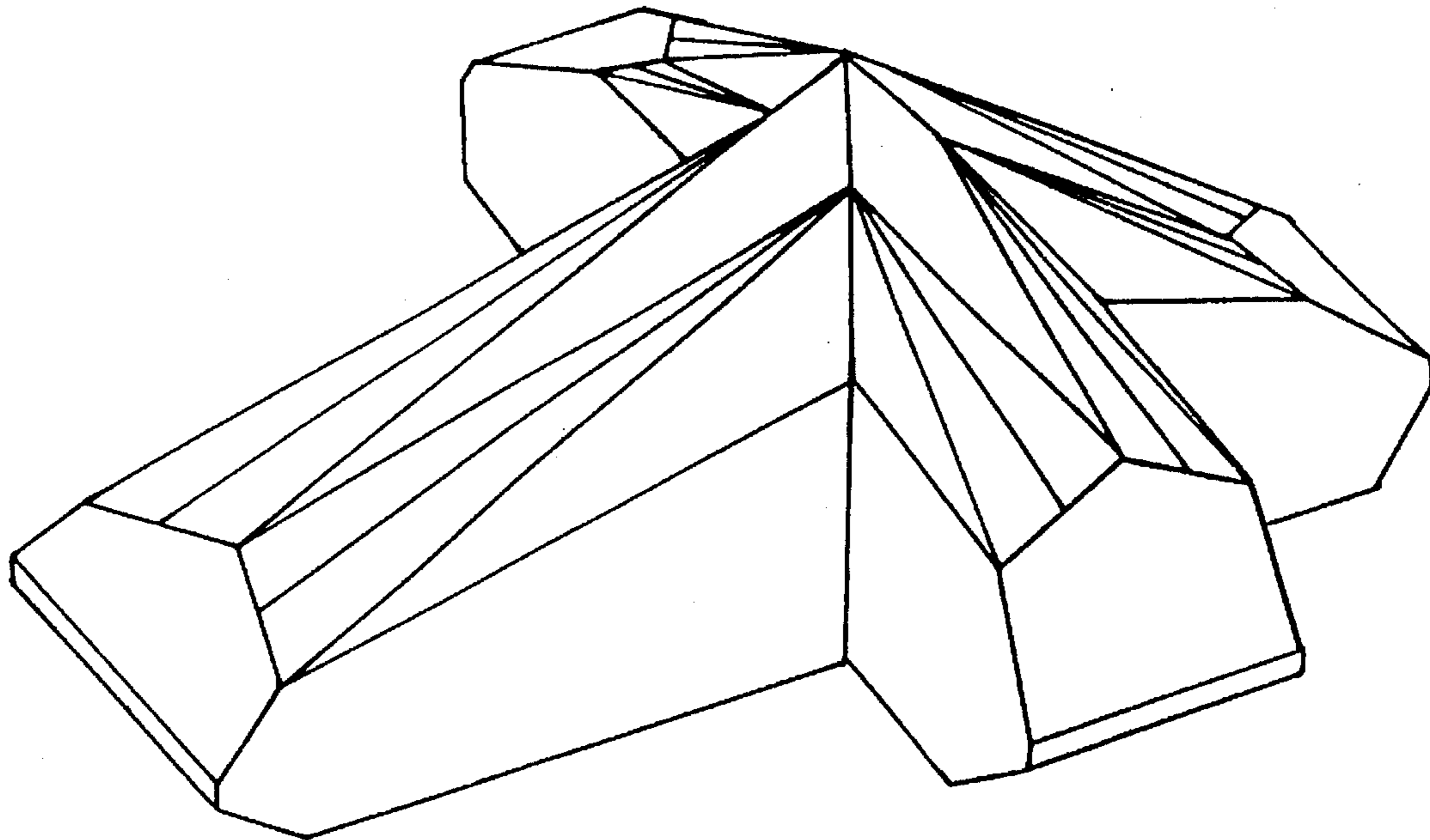
[57] **CLAIM**

The ornamental design for a diamond shaped as a cross, as shown and described.

DESCRIPTION

FIG. 1 is a bottom perspective view of a diamond shaped as a cross, showing our new design;
FIG. 2 is a bottom right side perspective view of the diamond of FIG. 1;
FIG. 3 is a bottom upper edge perspective view of the diamond of FIG. 1;
FIG. 4 is a top view of the diamond of FIG. 1; and,
FIG. 5 is a bottom view of the diamond of FIG. 1.

1 Claim, 3 Drawing Sheets



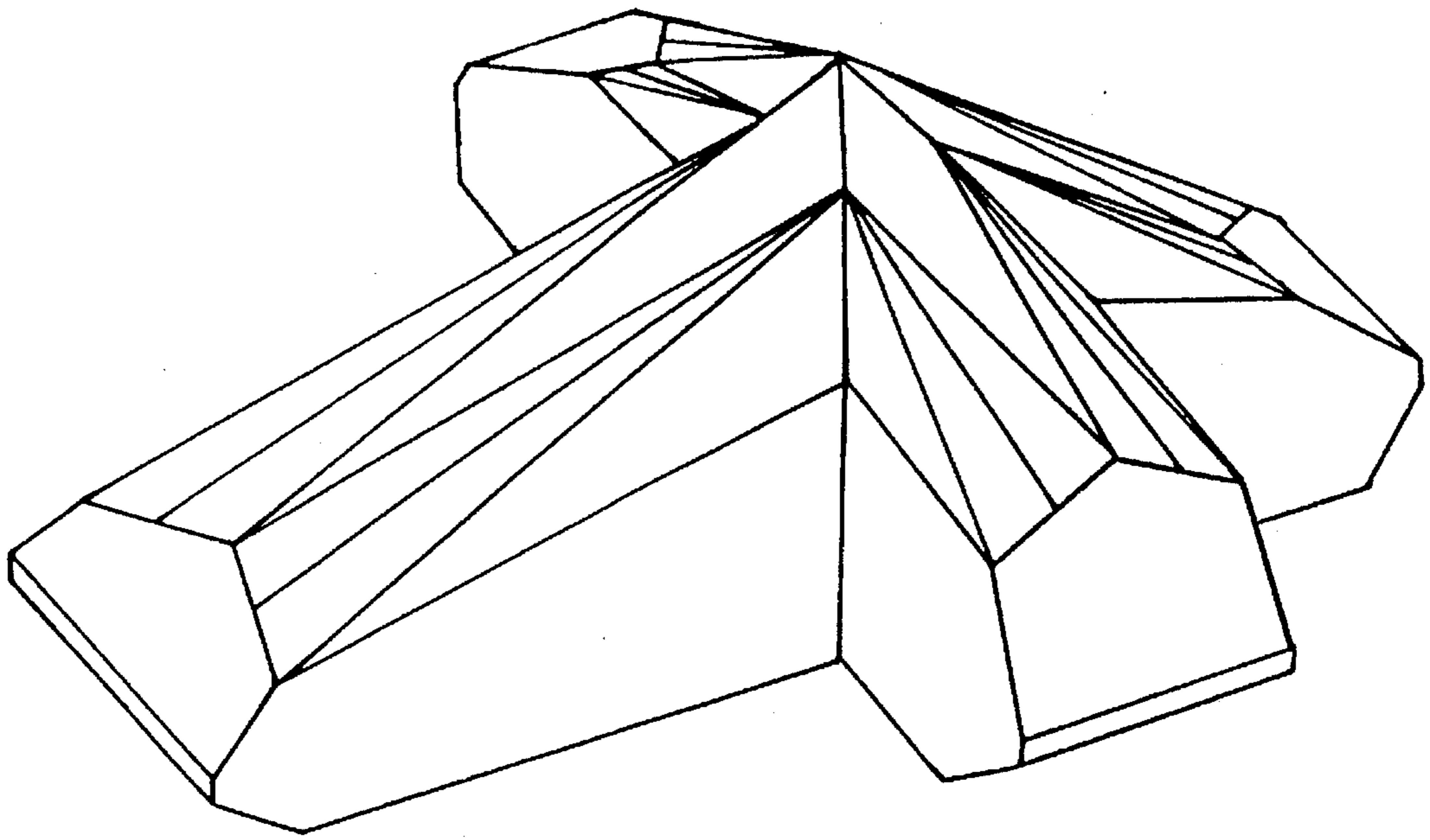


Fig.1

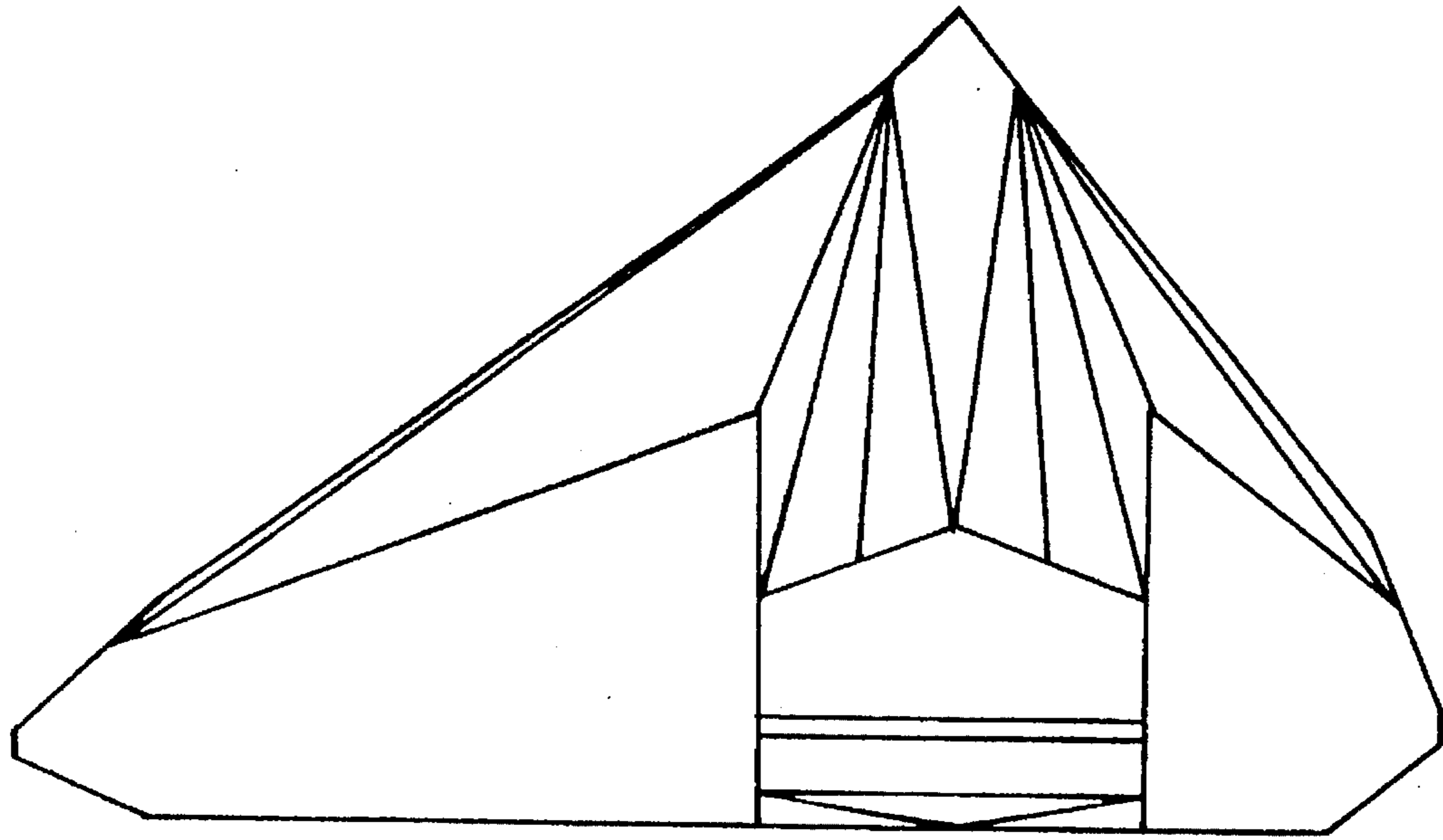


Fig. 2

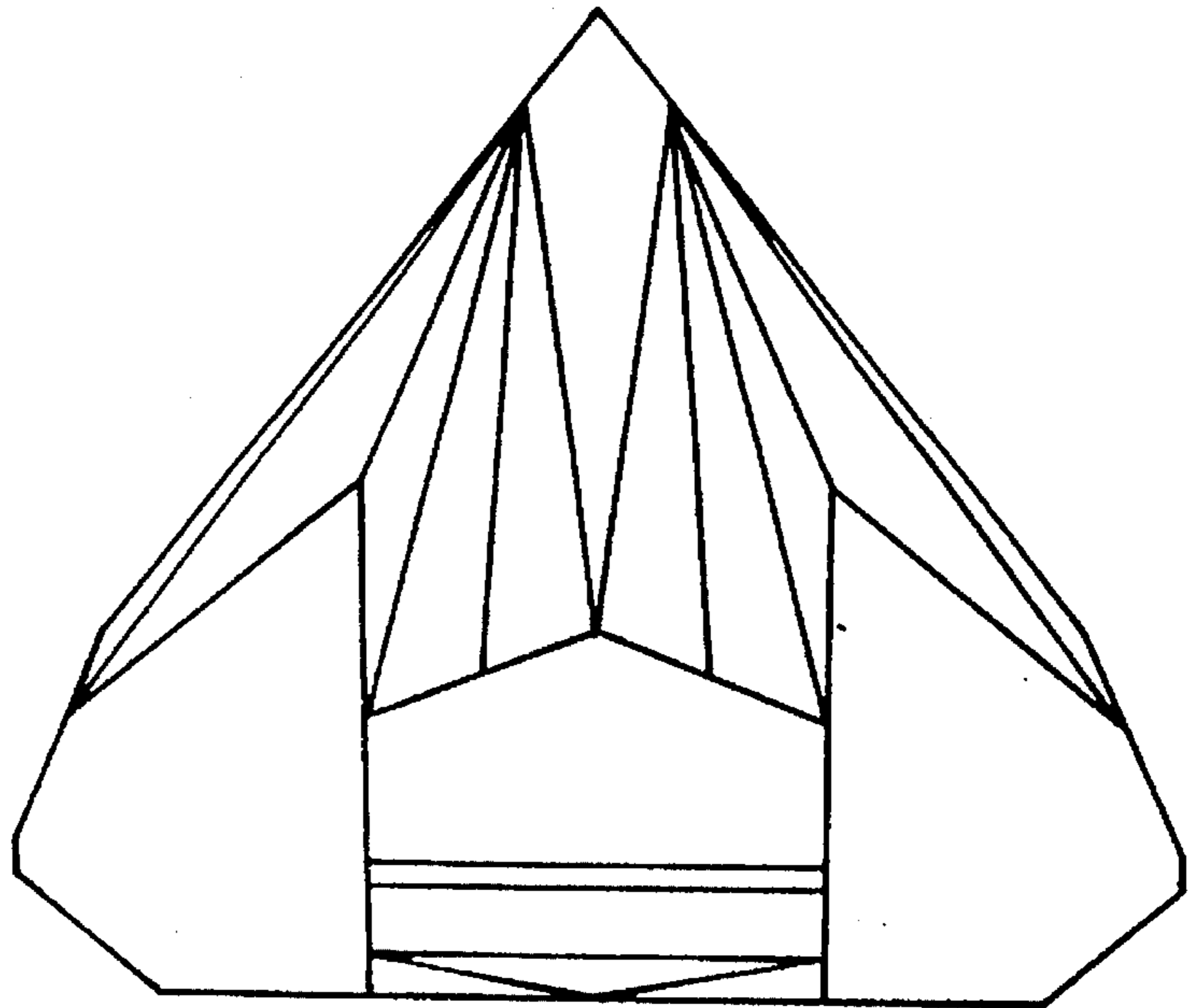


Fig. 3

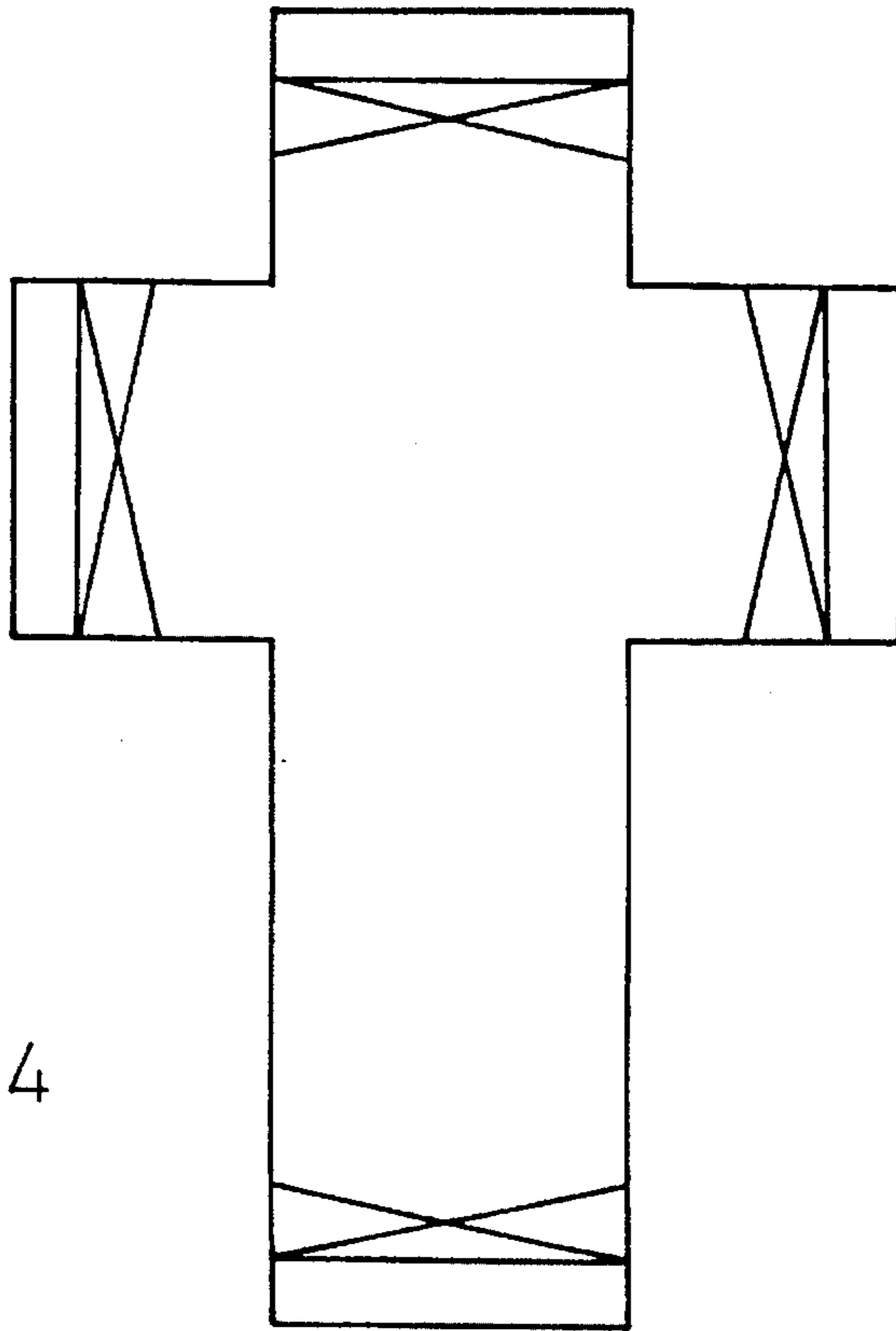


Fig. 4

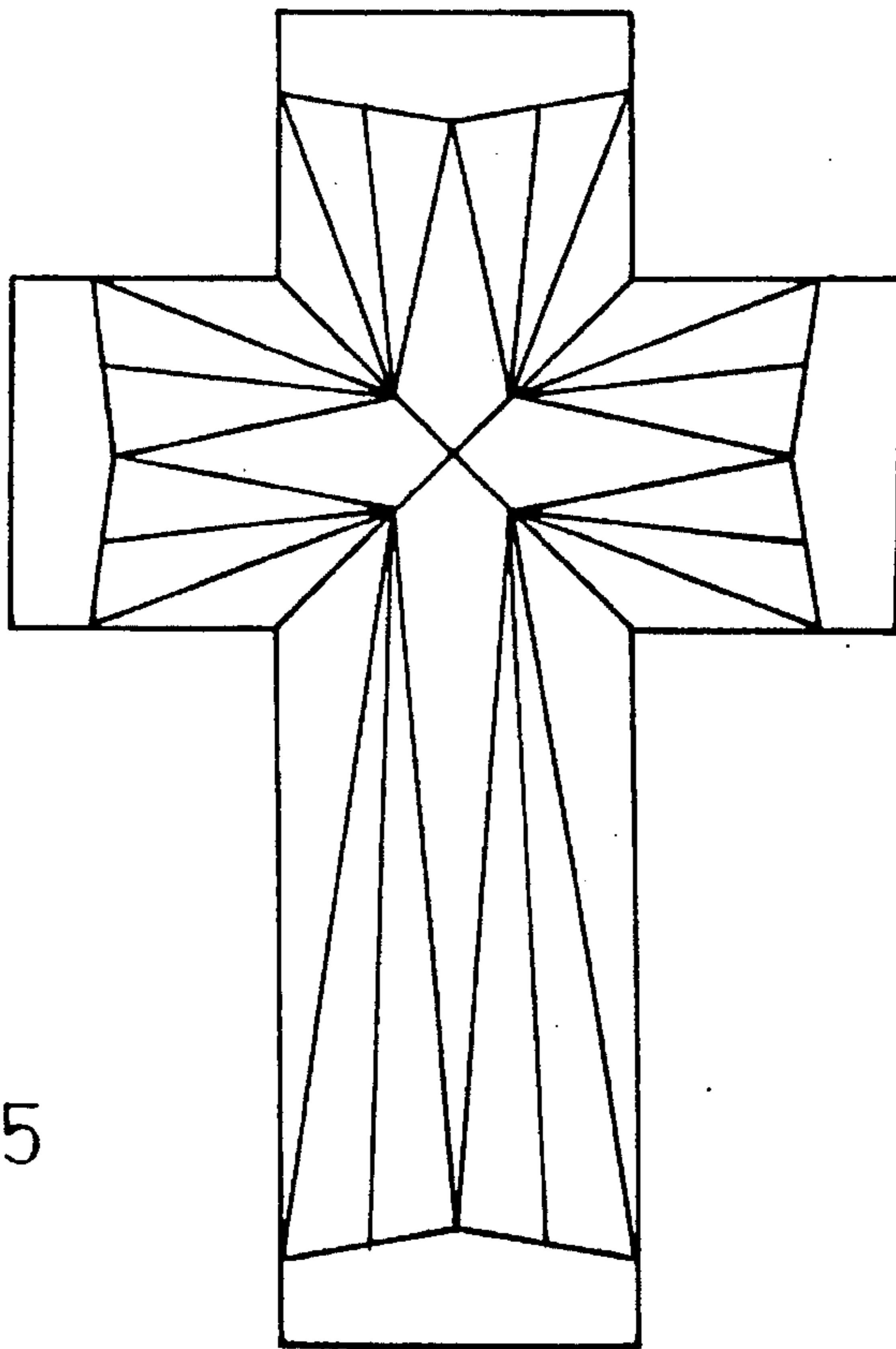


Fig. 5