



US00D368865S

United States Patent [19]

[11] Patent Number: **Des. 368,865**

Weterrings

[45] Date of Patent: ****Apr. 16, 1996**

[54] **ADJUSTABLE MEASURING CONTAINER**

[57] **CLAIM**

[75] Inventor: **Frans M. Weterrings**, Tuscumbia, Ala.

The ornamental design for a adjustable measuring container, as shown and described.

[73] Assignee: **Robbins Industries, Inc.**, Florence, Ala.

[**] Term: **14 Years**

DESCRIPTION

[21] Appl. No.: **36,682**

FIG. 1 is a top plan view of the adjustable measuring container showing my new design;

[22] Filed: **Mar. 24, 1995**

[52] U.S. Cl. **D10/46.3**

FIG. 2 is a left side elevation view thereof;

[58] Field of Search **D10/46.2, 46.3;**
73/426-429

FIG. 3 is a rear elevation view thereof;

[56] **References Cited**

FIG. 4 is a front elevation view thereof;

U.S. PATENT DOCUMENTS

FIG. 5 is a bottom plan view thereof; and,

2,256,865	9/1941	Gilbert	73/429
2,479,007	8/1949	Gruben	D10/46.2 X
2,839,928	6/1958	Fohrman	D10/46.2 X
4,981,041	1/1991	Merkle	73/426

FIG. 6 is a perspective view thereof, with the outer housing elevated to a position higher than that in which it is shown in FIGS. 1-5, and also showing the right side of the adjustable measuring container.

OTHER PUBLICATIONS

Wonder-Cup®, The Pampered Chef, Inc, Photograph submitted by applicant, date unknown.

Primary Examiner—Terry A. Wallace
Attorney, Agent, or Firm—Curtis, Morris & Safford

1 Claim, 3 Drawing Sheets

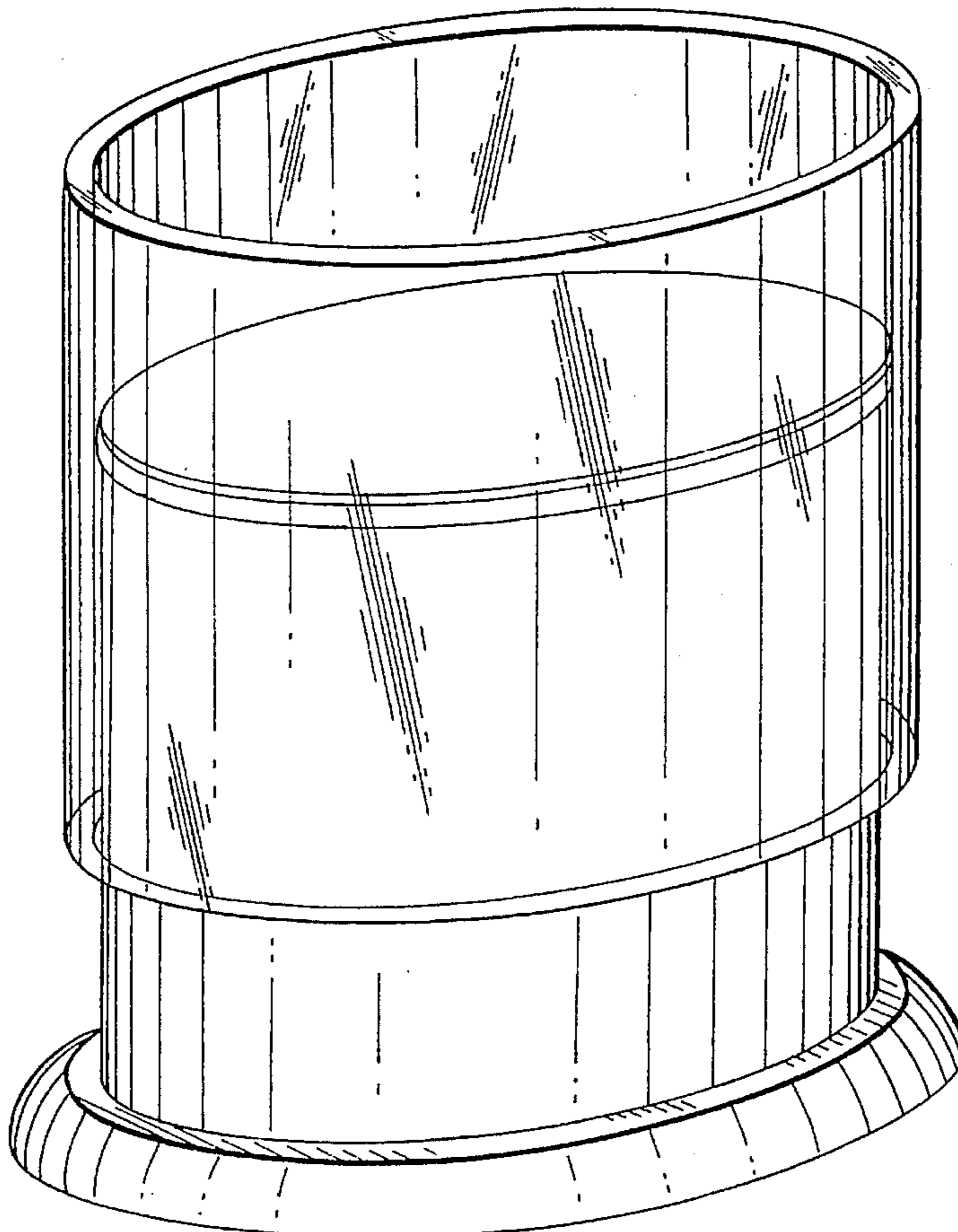


FIG. 1

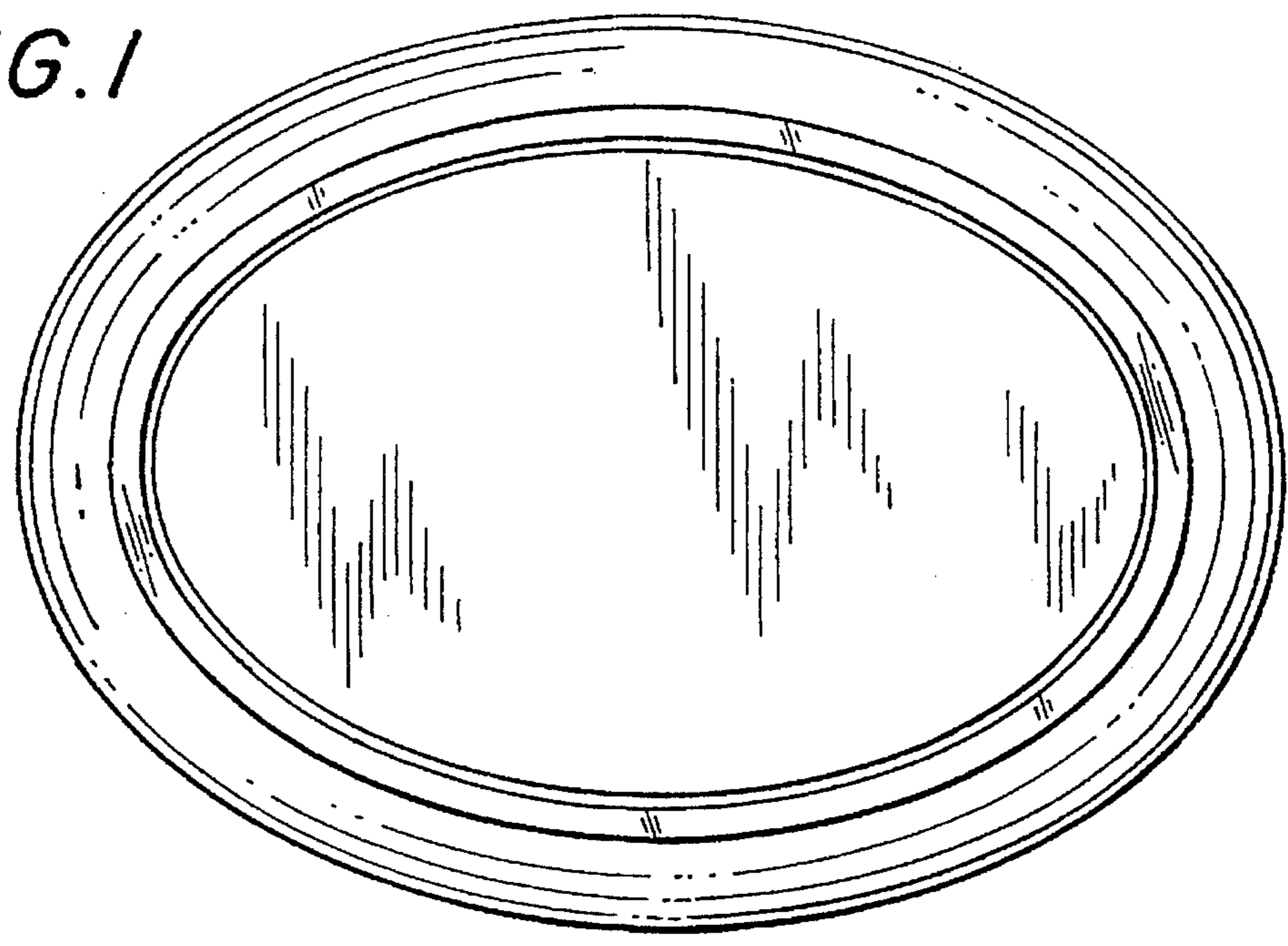
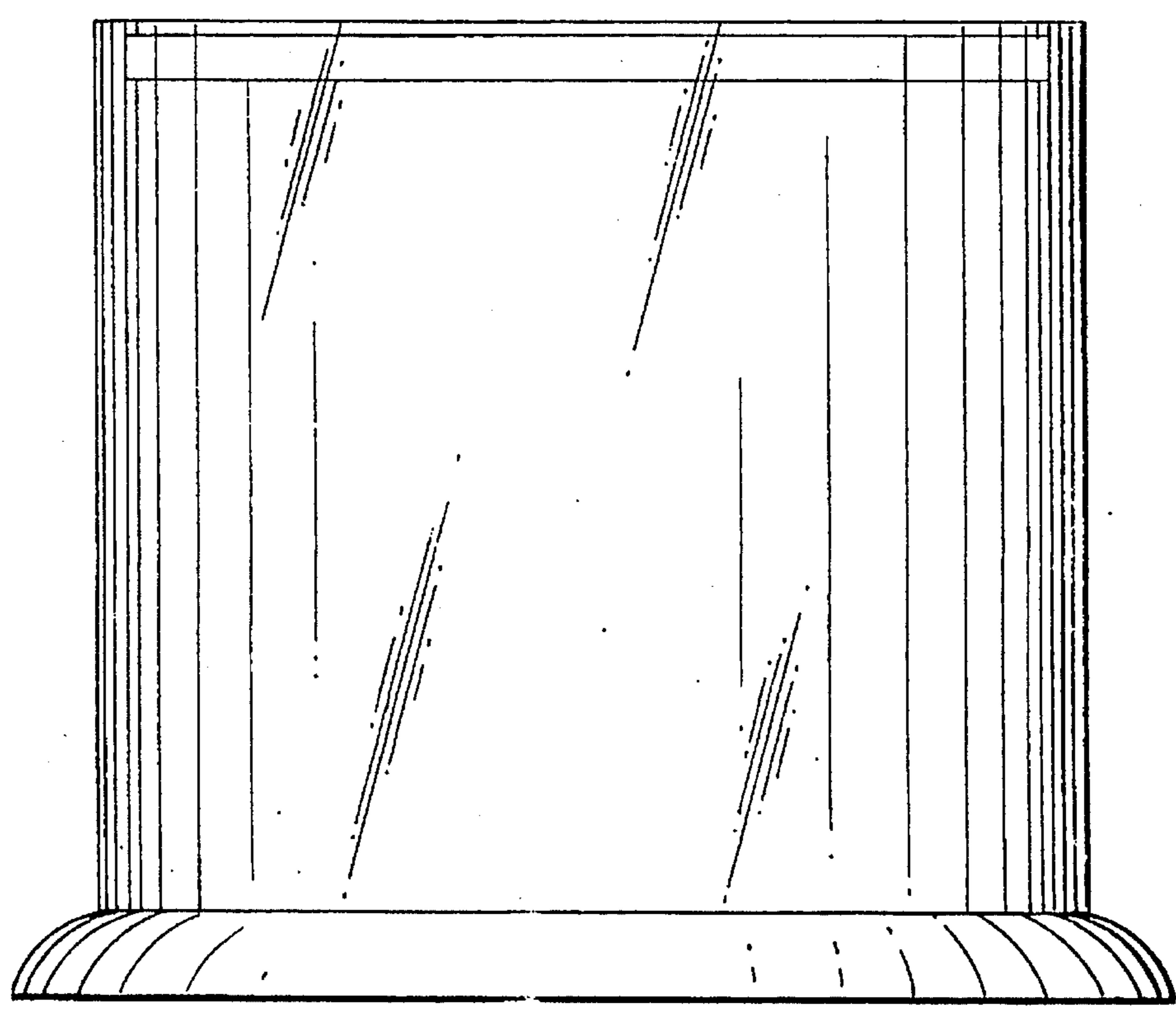


FIG. 2



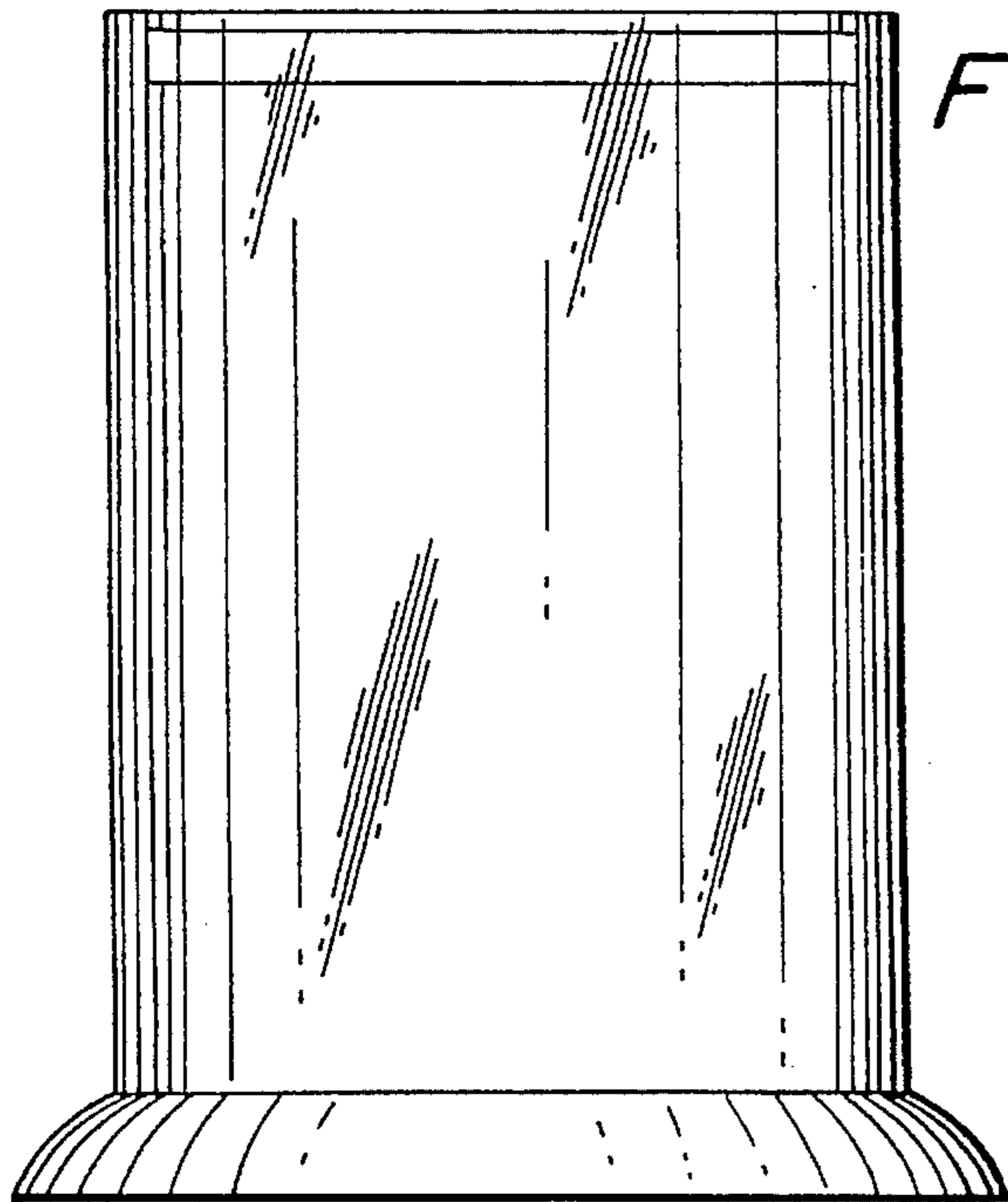


FIG. 3

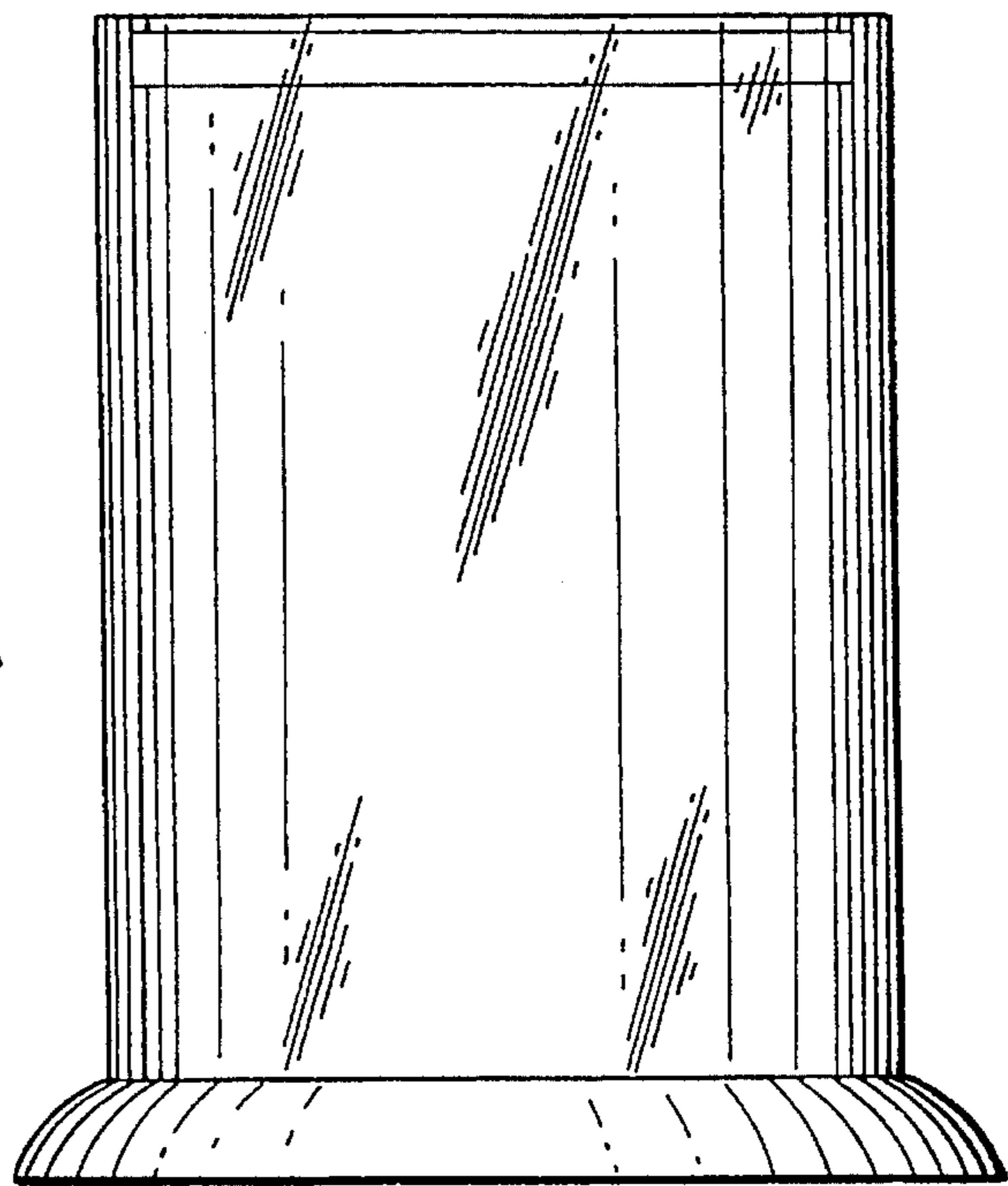


FIG. 4

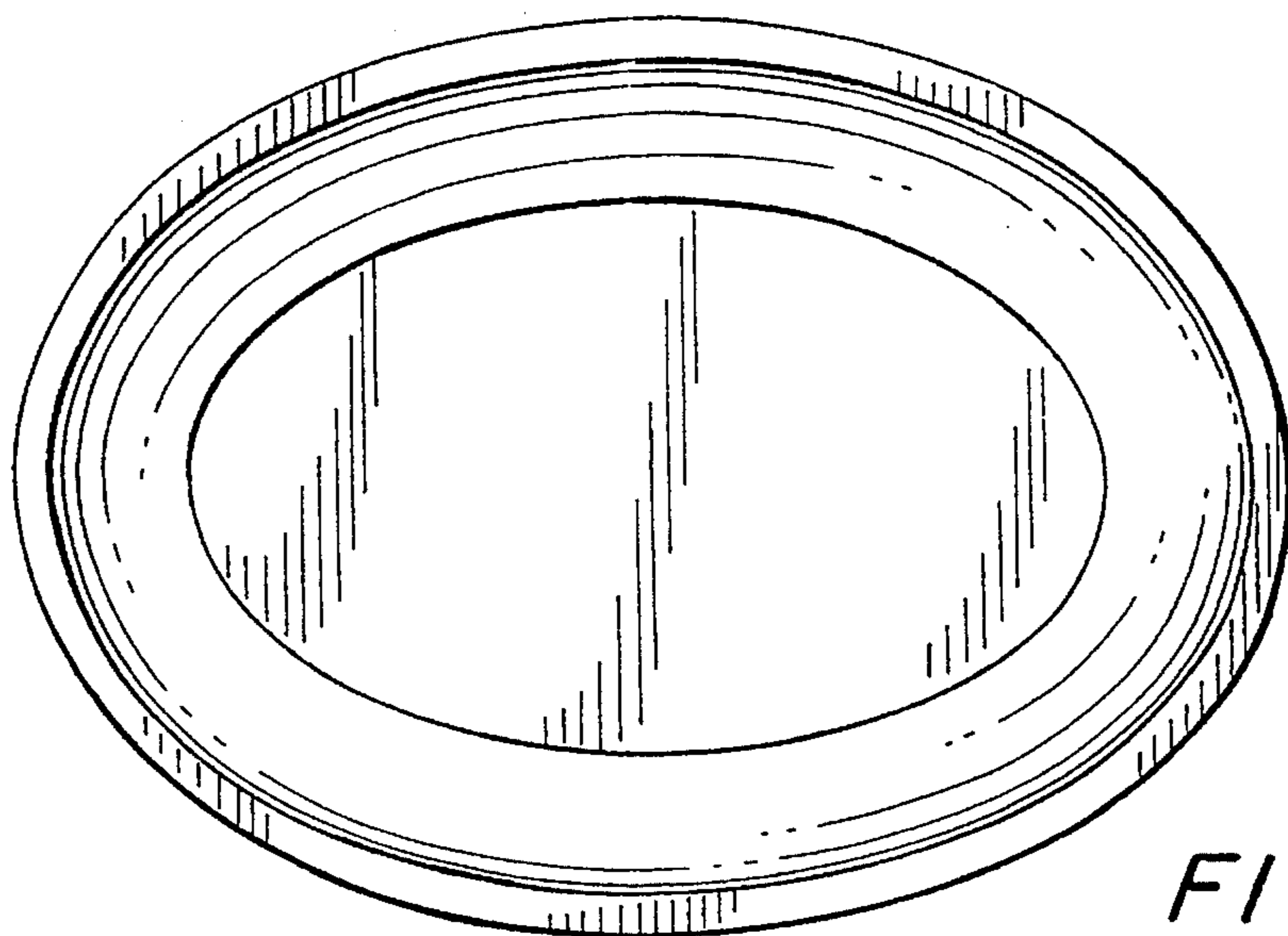


FIG. 5

FIG. 6

