



US00D368861S

United States Patent [19] Ip

[11] Patent Number: **Des. 368,861**

[45] Date of Patent: ****Apr. 16, 1996**

[54] **CLOCK**

[75] Inventor: **Yu K. S. Ip, Tin Shui Wai, Hong Kong**

[73] Assignee: **Merry Global Technology Limited,
Kowloon, Hong Kong**

[**] Term: **14 Years**

[21] Appl. No.: **12,855**

[22] Filed: **Sep. 13, 1993**

[30] Foreign Application Priority Data

Mar. 12, 1993 [GB] United Kingdom 2029755

[52] U.S. Cl. **D10/15**

[58] Field of Search D10/1-40, 122-132;
368/21-23, 107-121, 276-277, 285

[56] References Cited

U.S. PATENT DOCUMENTS

- D. 103,071 2/1937 Magro D10/15 X
- D. 150,555 8/1948 Addario D10/15 X
- D. 150,556 8/1948 Addario D10/15

- D. 161,375 12/1950 Reinhardt D10/15 X
- D. 234,149 1/1975 Rowman D10/15 X
- D. 277,556 2/1985 Pappas D10/15 X
- D. 314,689 2/1991 Claudias D10/6
- 1,015,195 11/1912 Kretzchmar 368/23
- 2,513,465 7/1950 Fisk 368/21
- 2,637,969 5/1953 Beyer 368/21
- 3,875,736 4/1975 Gulko 368/228 X

Primary Examiner—Nelson C. Holtje
Attorney, Agent, or Firm—Leydig, Voit & Mayer

[57] CLAIM

The ornamental design for as clock, as shown and described.

DESCRIPTION

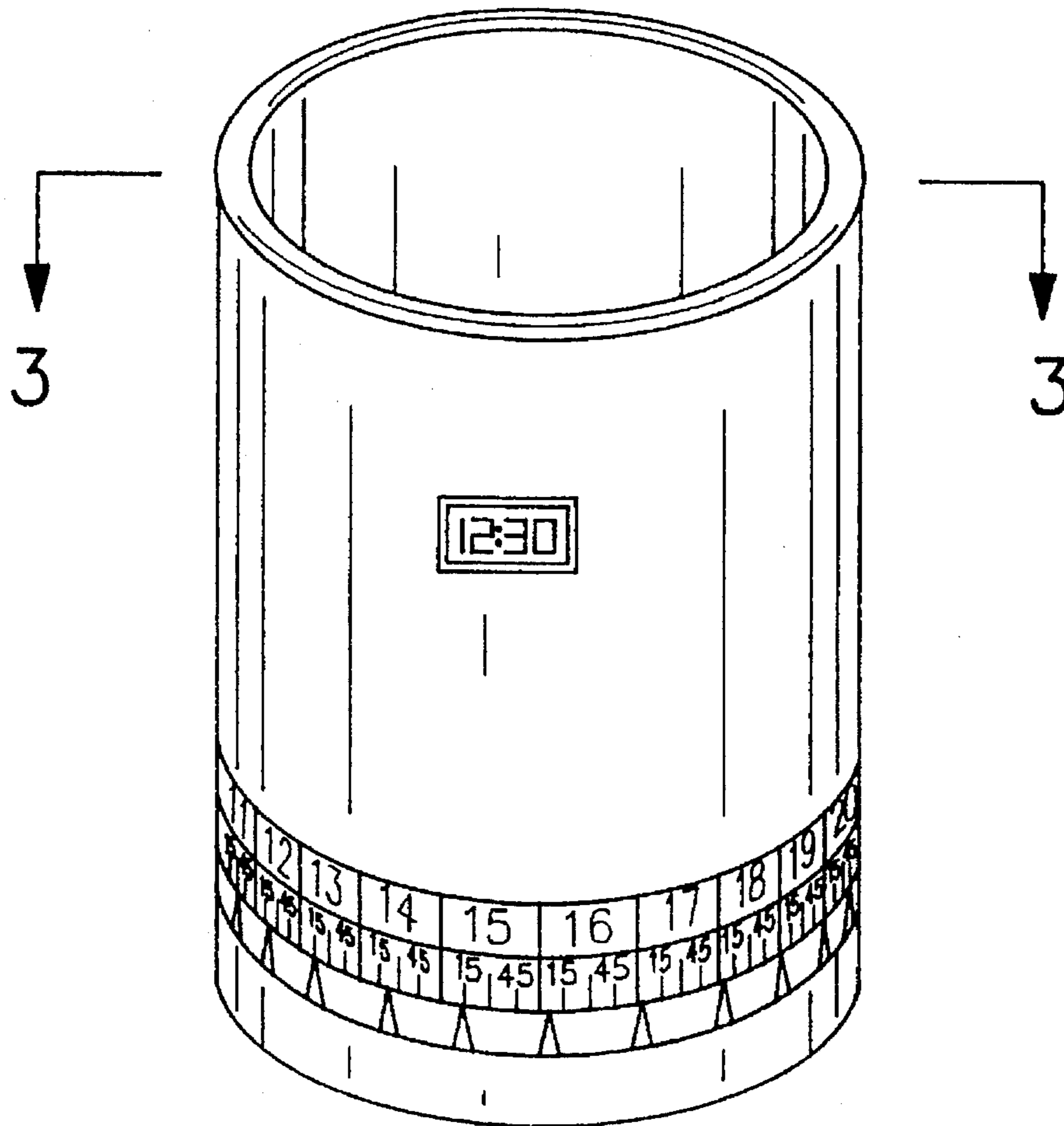
FIG. 1 is a front perspective view of a clock showing my new design;

FIG. 2 is a typical side elevational view when the digital read-out is not in view;

FIG. 3 is a cross sectional view; and,

FIG. 4 is an exploded front perspective view thereof.

1 Claim, 2 Drawing Sheets



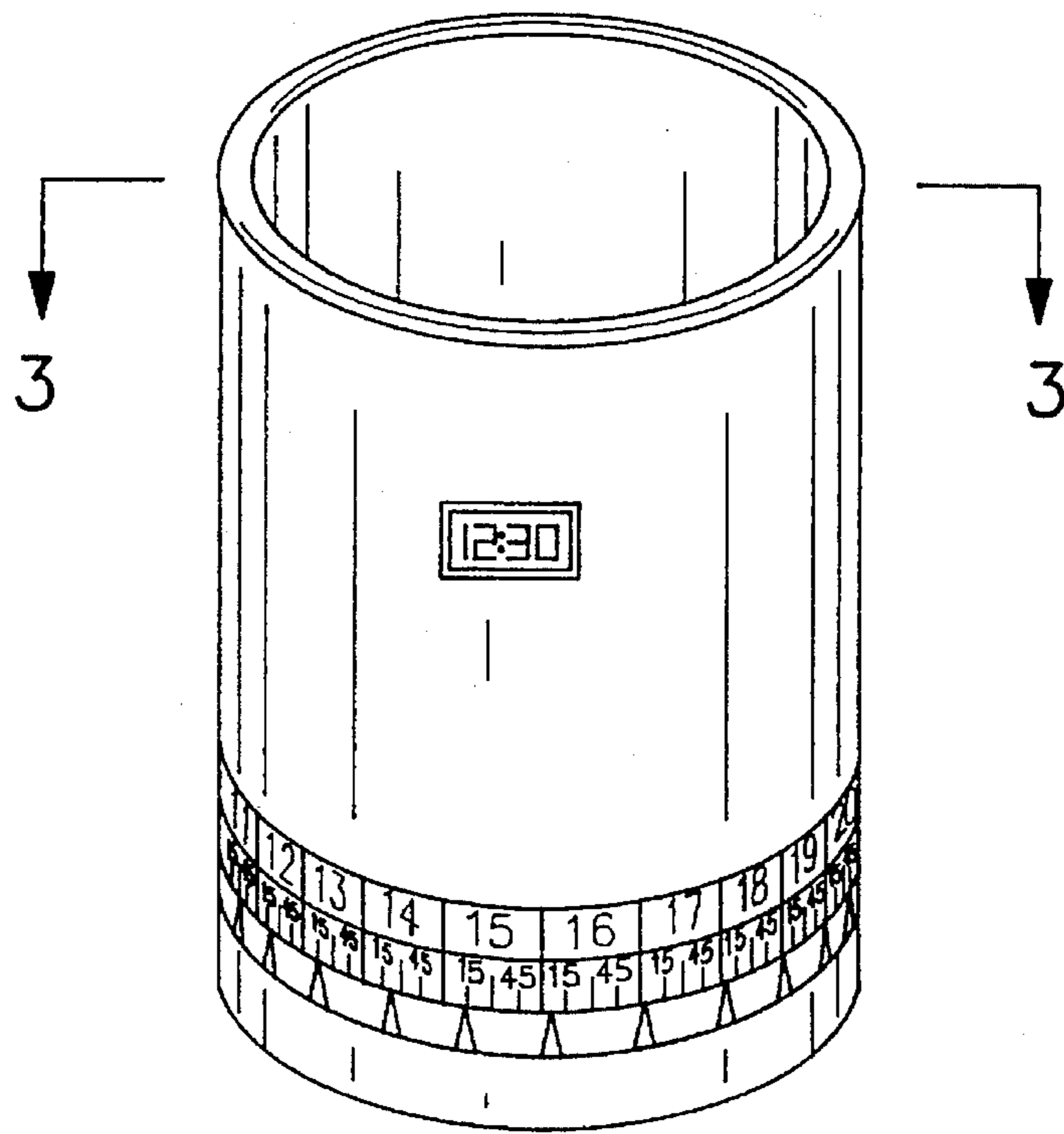


FIG. 1

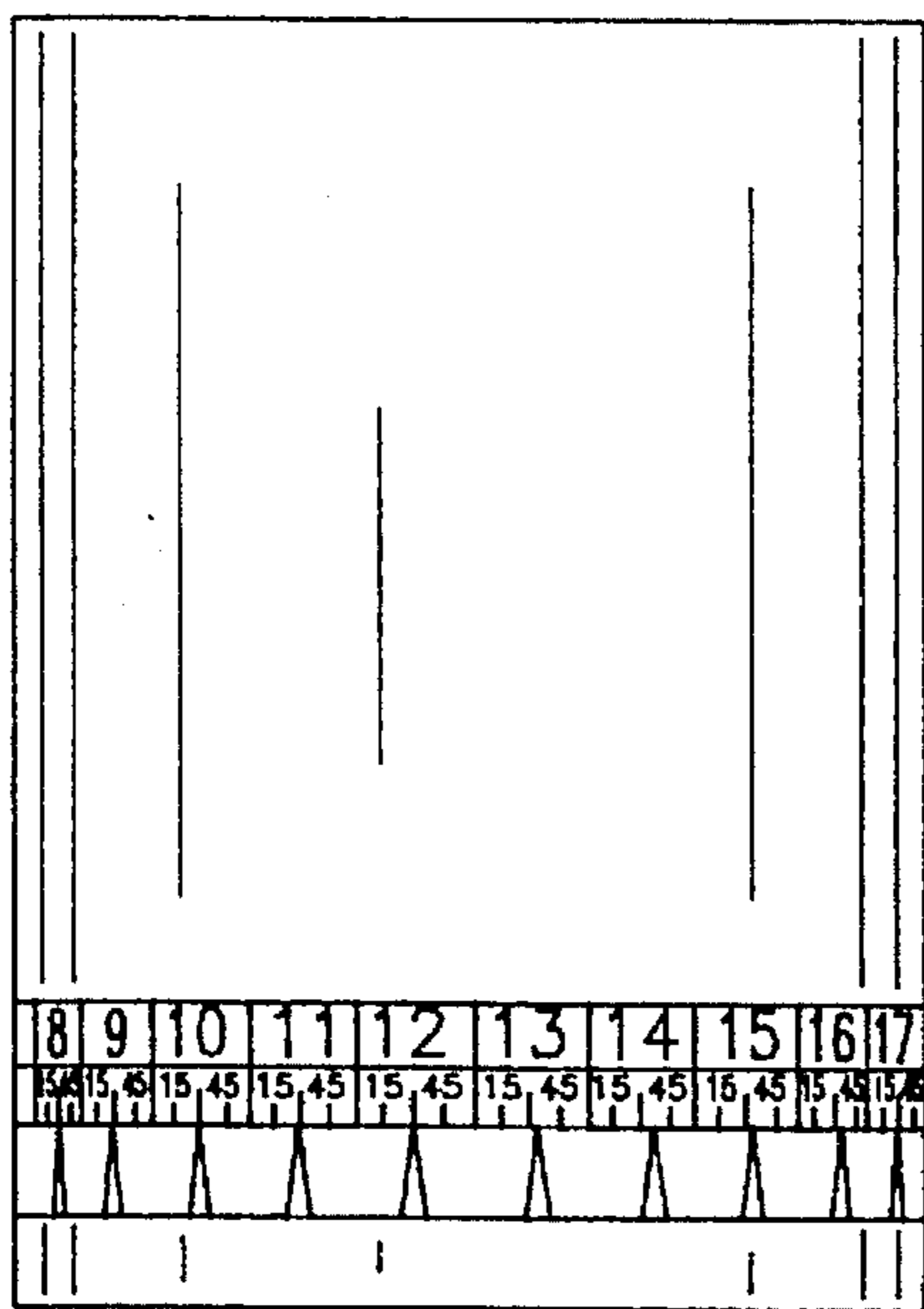


FIG. 2

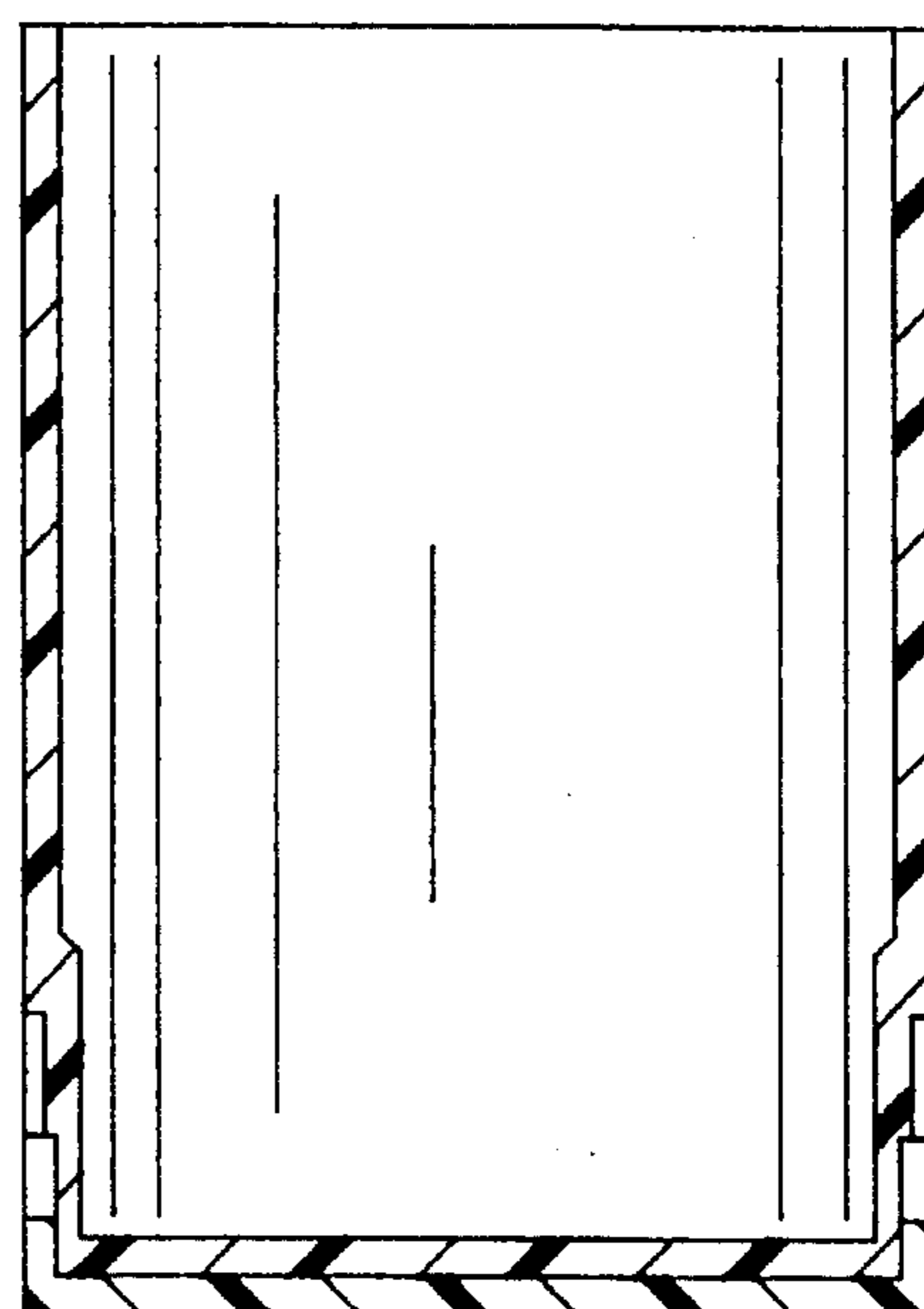


FIG. 3

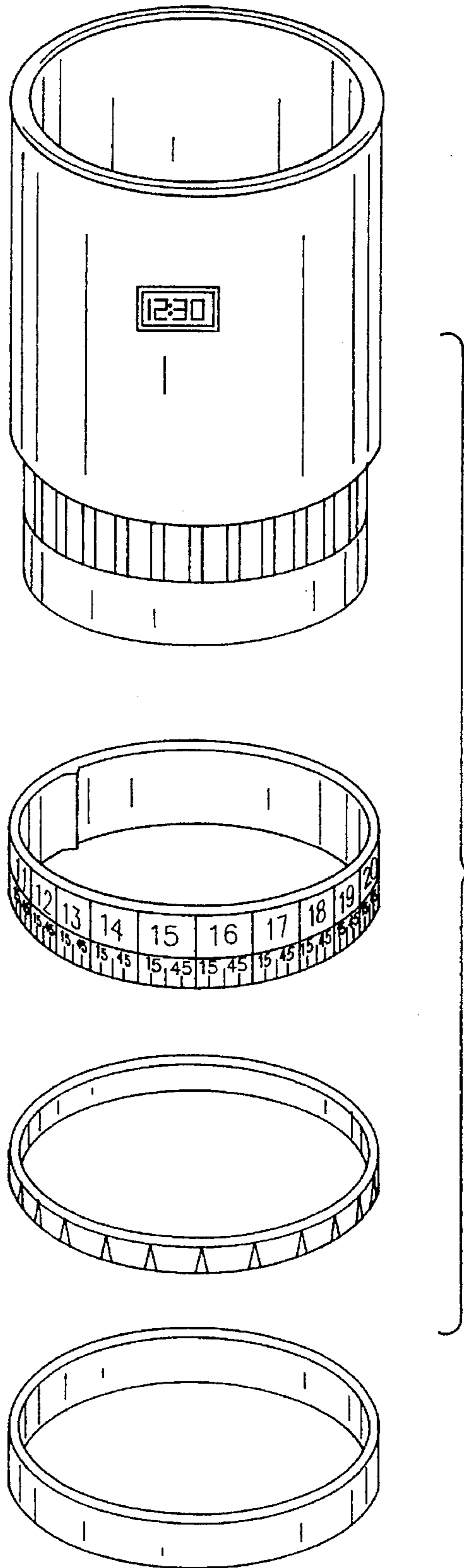


FIG. 4