



US00D368857S

United States Patent [19]

Hotz

[11] Patent Number: **Des. 368,857**

[45] Date of Patent: ****Apr. 16, 1996**

[54] CONTAINER SPOUT

[75] Inventor: **Jean-Marie Hotz**, Prèles, Switzerland

[73] Assignee: **Tetra Laval Holdings & Finance S.A.**, Pully, Switzerland

[**] Term: **14 Years**

[21] Appl. No.: **34,850**

[22] Filed: **Feb. 14, 1995**

Related U.S. Application Data

[62] Division of Ser. No. 918,229, Jul. 24, 1992, Pat. No. Des. 358,770.

Foreign Application Priority Data

Jan. 24, 1992 [CH] Switzerland 119526

[52] U.S. Cl. **D9/447**

[58] Field of Search D9/300, 434-436, D9/440, 444-446, 447, 449, 499; D34/11; 215/317, 321; 220/259, 334, 340, 375; 222/569

[56] References Cited

U.S. PATENT DOCUMENTS

D. 47,182 4/1915 Danziger D9/300

D. 91,630	2/1934	Klein et al.	D9/499
D. 259,169	5/1981	Bogner	D34/11
3,255,928	6/1966	Foster	215/321 X
4,669,640	6/1987	Ando et al.	222/569 X
4,795,065	1/1989	Ashizawa et al.	D9/447 X

Primary Examiner—Alan P. Douglas
Assistant Examiner—Robert M. Spear
Attorney, Agent, or Firm—Armstrong, Westerman, Hattori, McLeland & Naughton

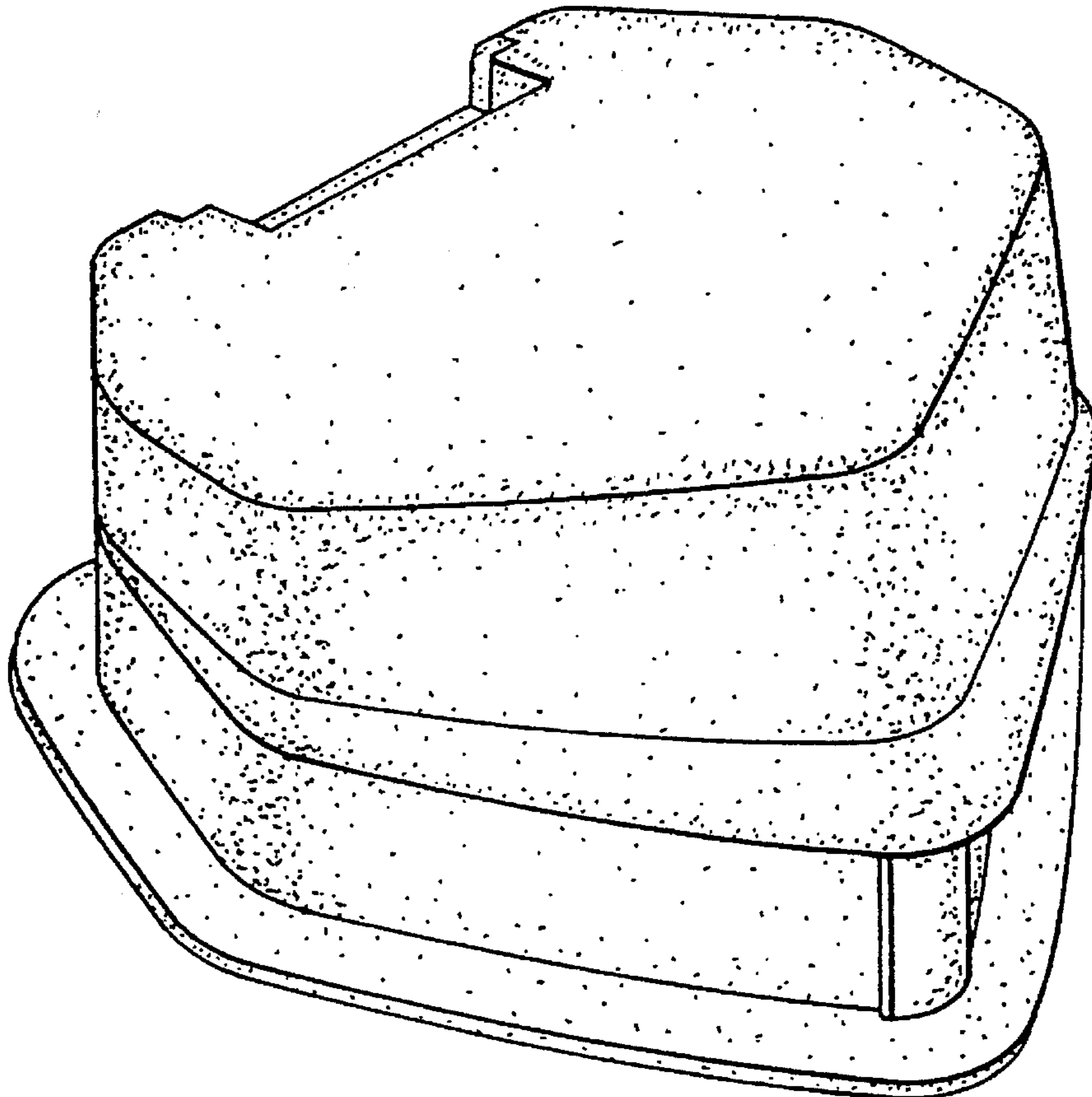
[57] CLAIM

The ornamental design of a container spout, as shown and described.

DESCRIPTION

FIG. 1 is a perspective view, taken from the top left of a container spout of the design of my invention showing the spout in the closed position;
FIG. 2 is a perspective view, taken from the top left thereof showing the spout in the open position;
FIG. 3 is a right side elevational view of the container spout of FIG. 1, the left side elevational view being a mirror image of the right side;
FIG. 4 is a front elevational view thereof;
FIG. 5 is a rear elevational view thereof; and,
FIG. 6 is a bottom plan view thereof.

1 Claim, 3 Drawing Sheets



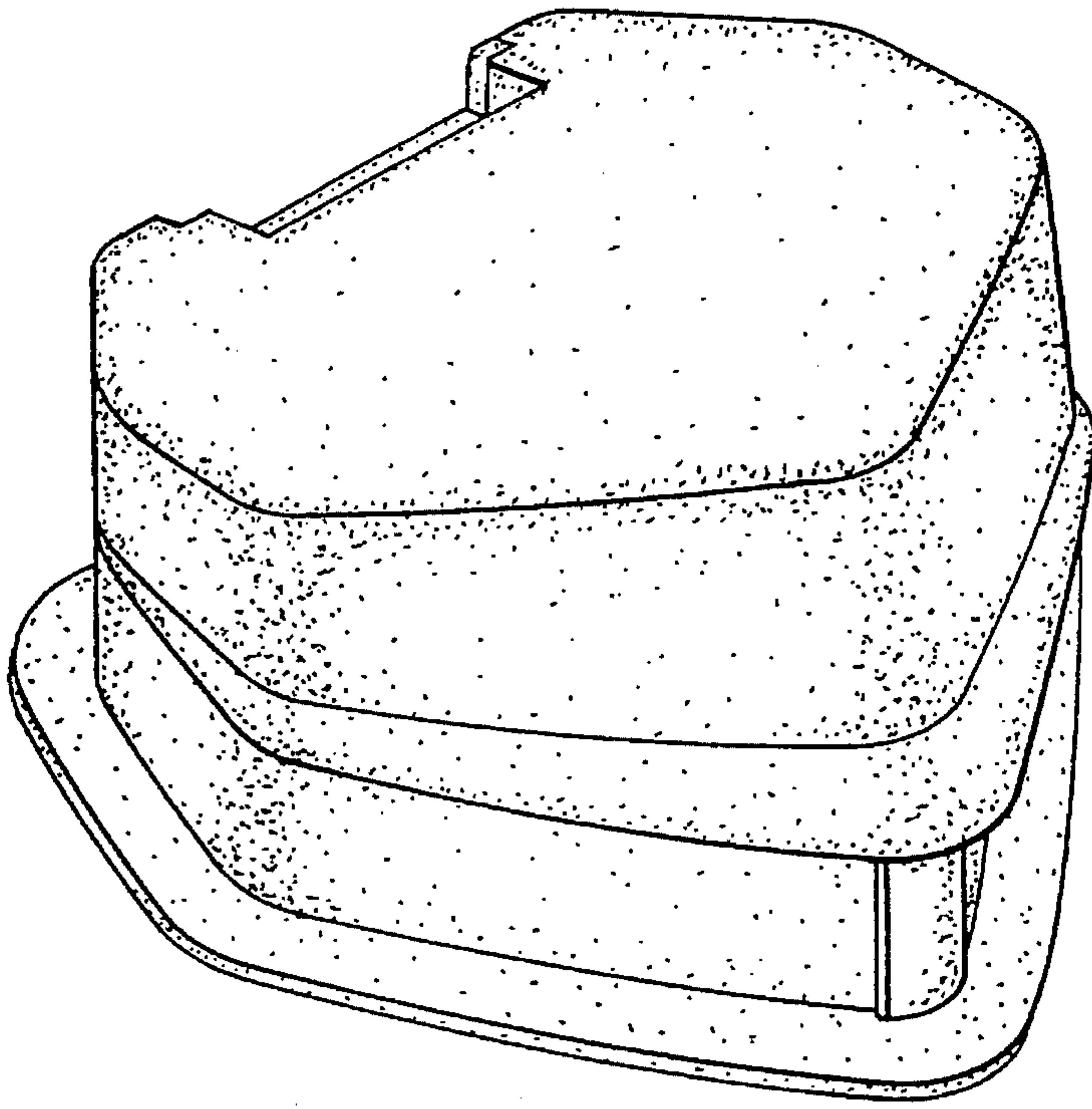


Fig. 1

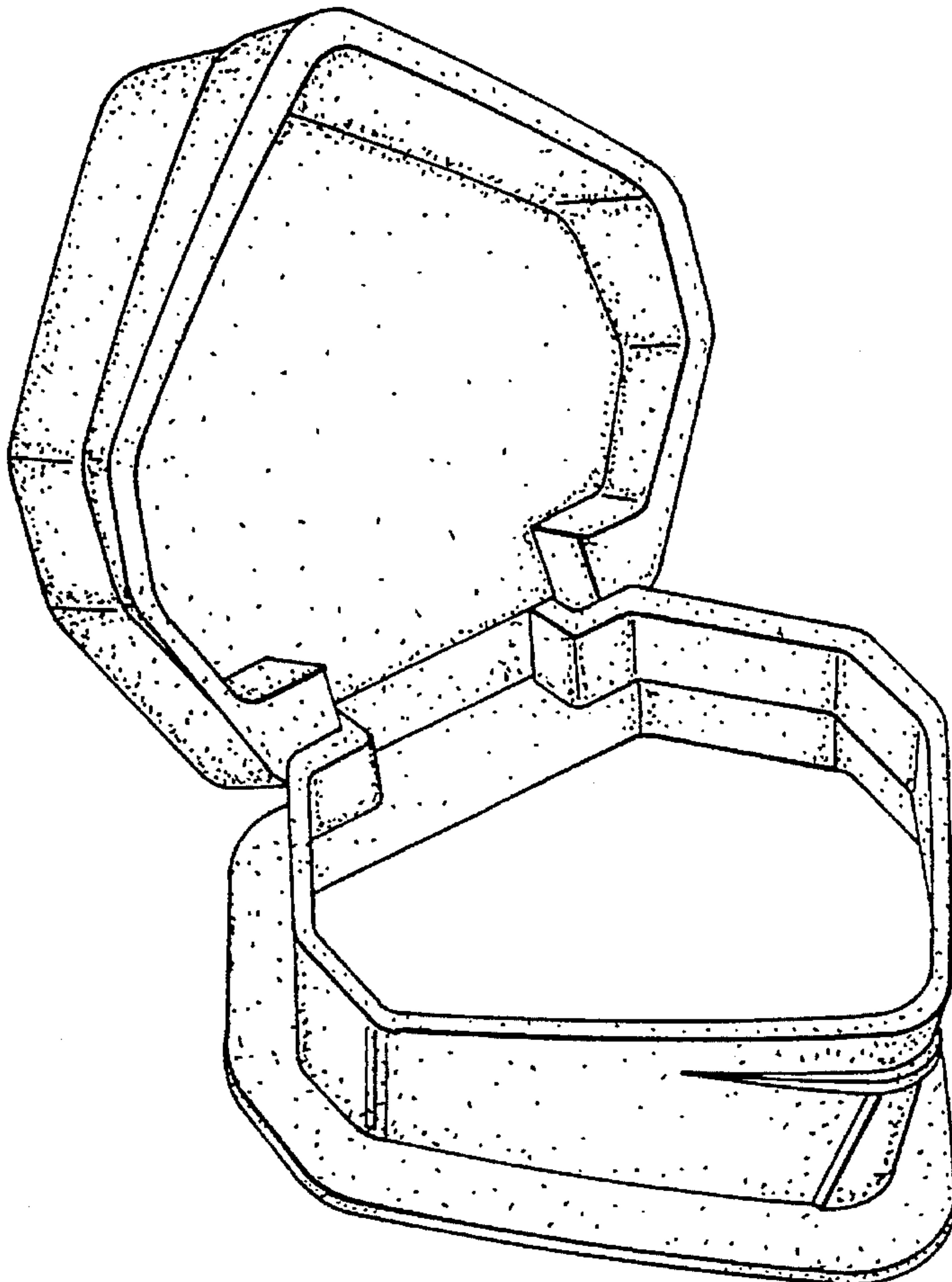


Fig. 2

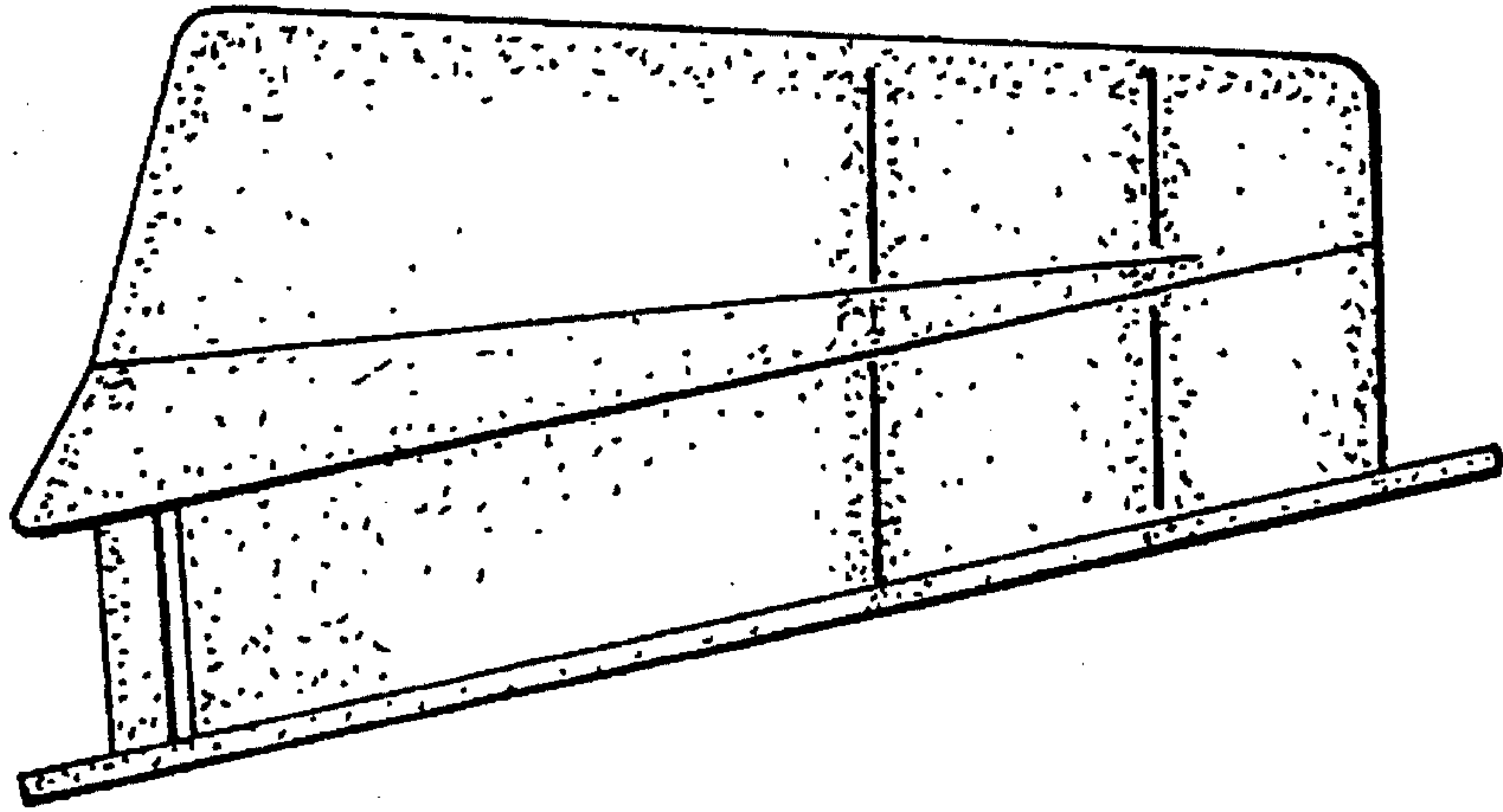


Fig. 3

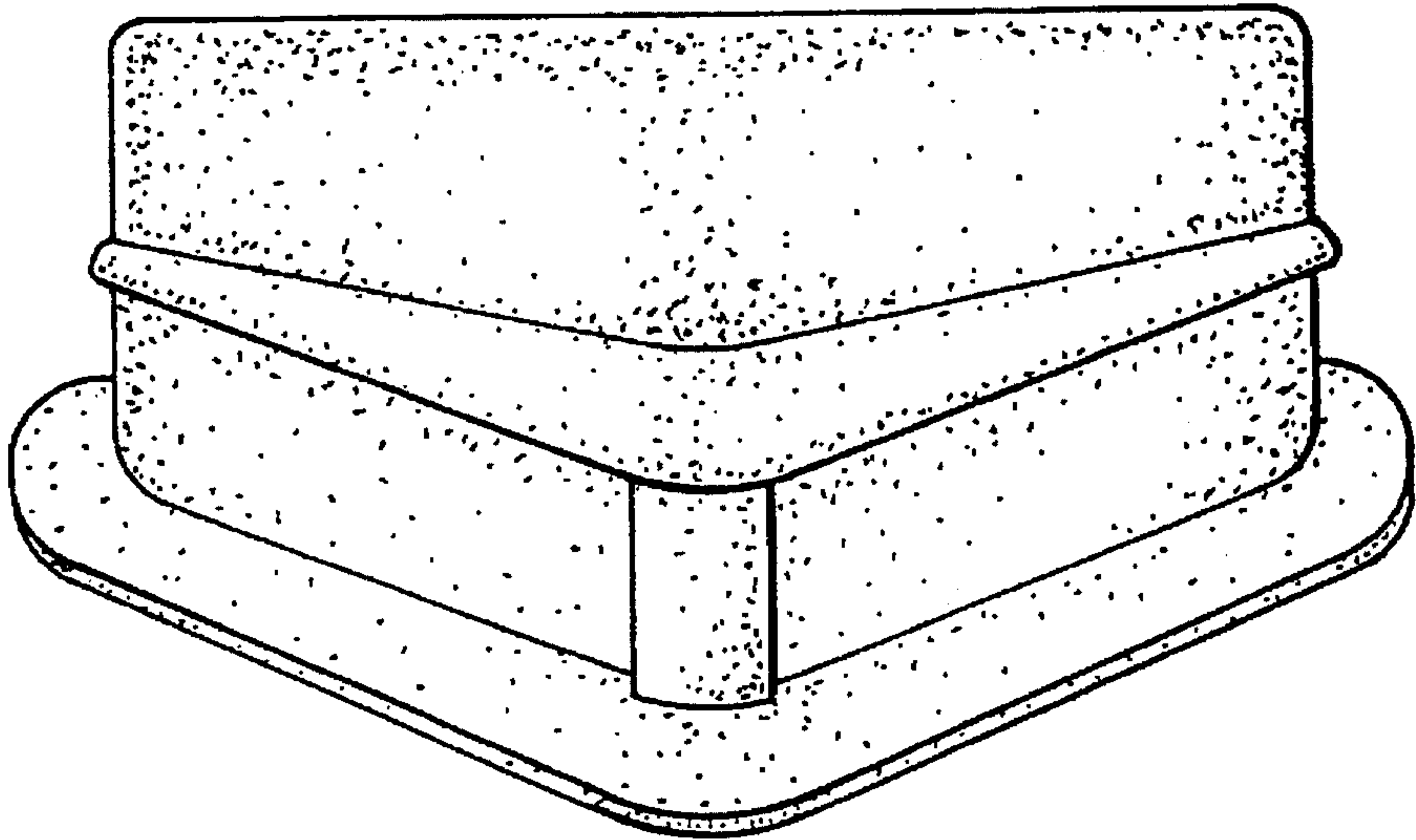


Fig. 4

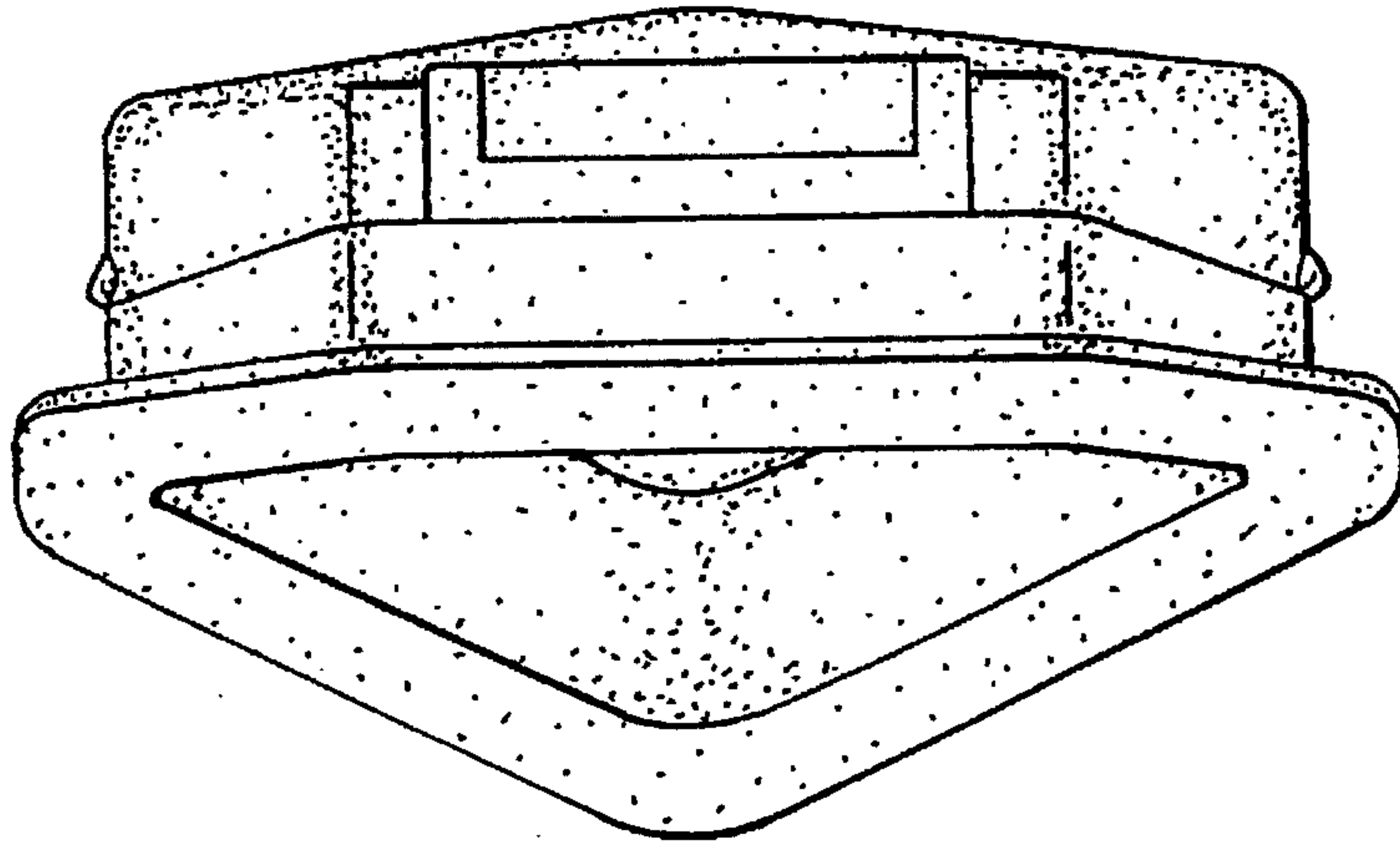


Fig. 5

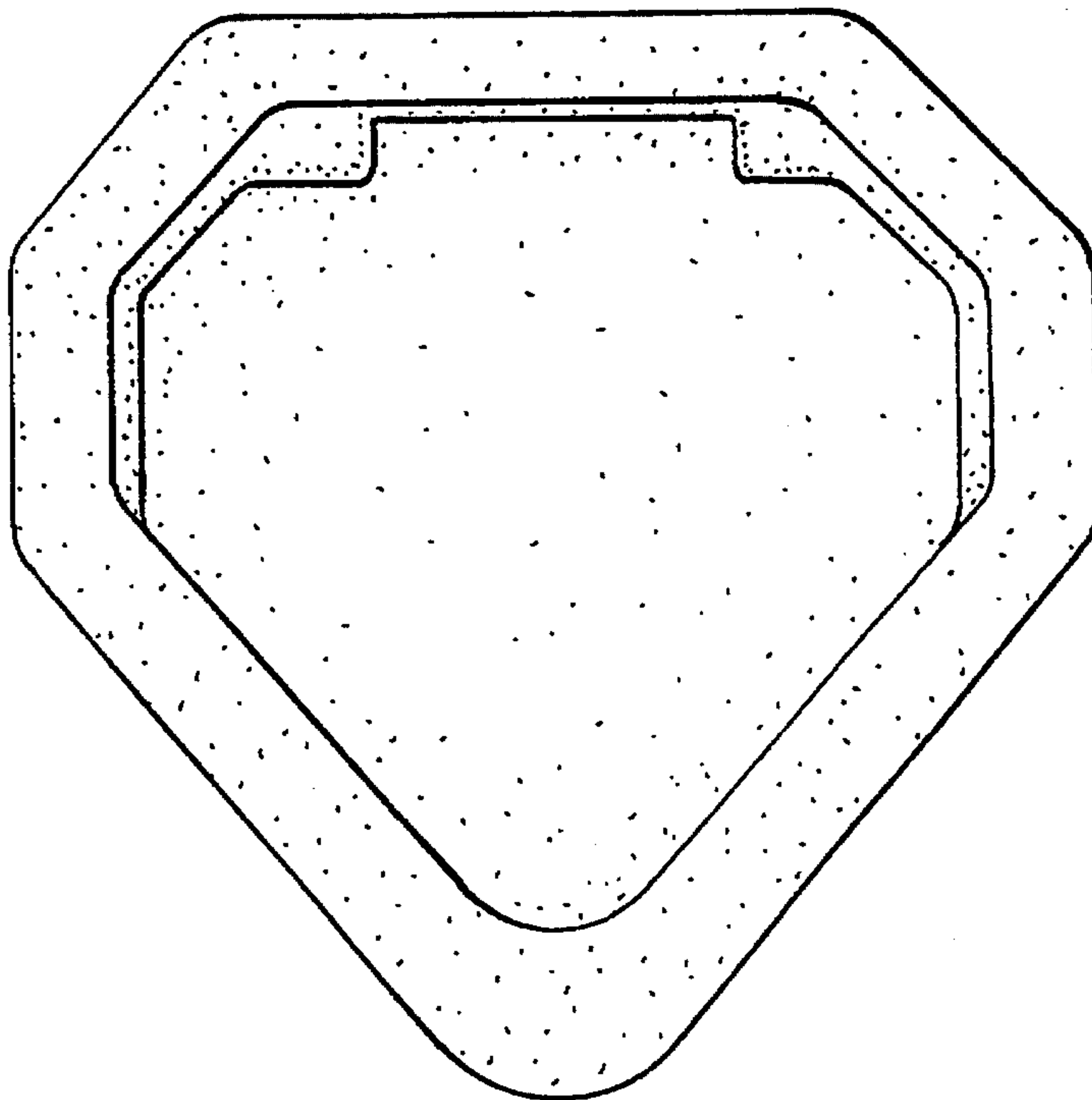


Fig. 6