



US00D368856S

United States Patent [19]

Peay

[11] Patent Number: **Des. 368,856**

[45] Date of Patent: ****Apr. 16, 1996**

[54] **POURING SPOUT**

[76] Inventor: **Matt Peay**, 1036 Gott Hydro Rd. S.,
Bowling Green, Ky. 42103-9541

[**] Term: **14 Years**

[21] Appl. No.: **34,277**

[22] Filed: **Jan. 31, 1995**

[52] U.S. Cl. **D9/447**

[58] **Field of Search** D7/398, 590; D9/434-436,
D9/440, 446-447, 452-454, 499, 529; D23/255;
215/228, 306; 222/536, 566, 568, 570

[56] **References Cited**

U.S. PATENT DOCUMENTS

D. 229,120	11/1973	Bell	D9/529
D. 235,418	6/1975	Petterson et al.	D9/300
D. 274,696	7/1984	Marsden	D9/447
D. 277,460	2/1985	Vadnais	D9/447
D. 307,111	4/1990	Green	D9/435
D. 318,233	7/1991	Ackerman	D9/434
D. 318,598	7/1991	Plough	D7/590
D. 339,985	10/1993	Tarte	D9/447
D. 360,580	7/1995	Bomareto	D9/447
1,403,637	1/1922	Rhodes	215/228

3,093,274	6/1963	Galbierz	D9/447 X
3,104,039	9/1963	Dike	222/536
3,214,069	10/1965	Dike	222/536
4,129,236	12/1978	Wrycraft et al.	222/568
4,543,743	10/1985	Keeton et al.	215/306

Primary Examiner—Alan P. Douglas
Assistant Examiner—Robert M. Spear
Attorney, Agent, or Firm—Harpman & Harpman

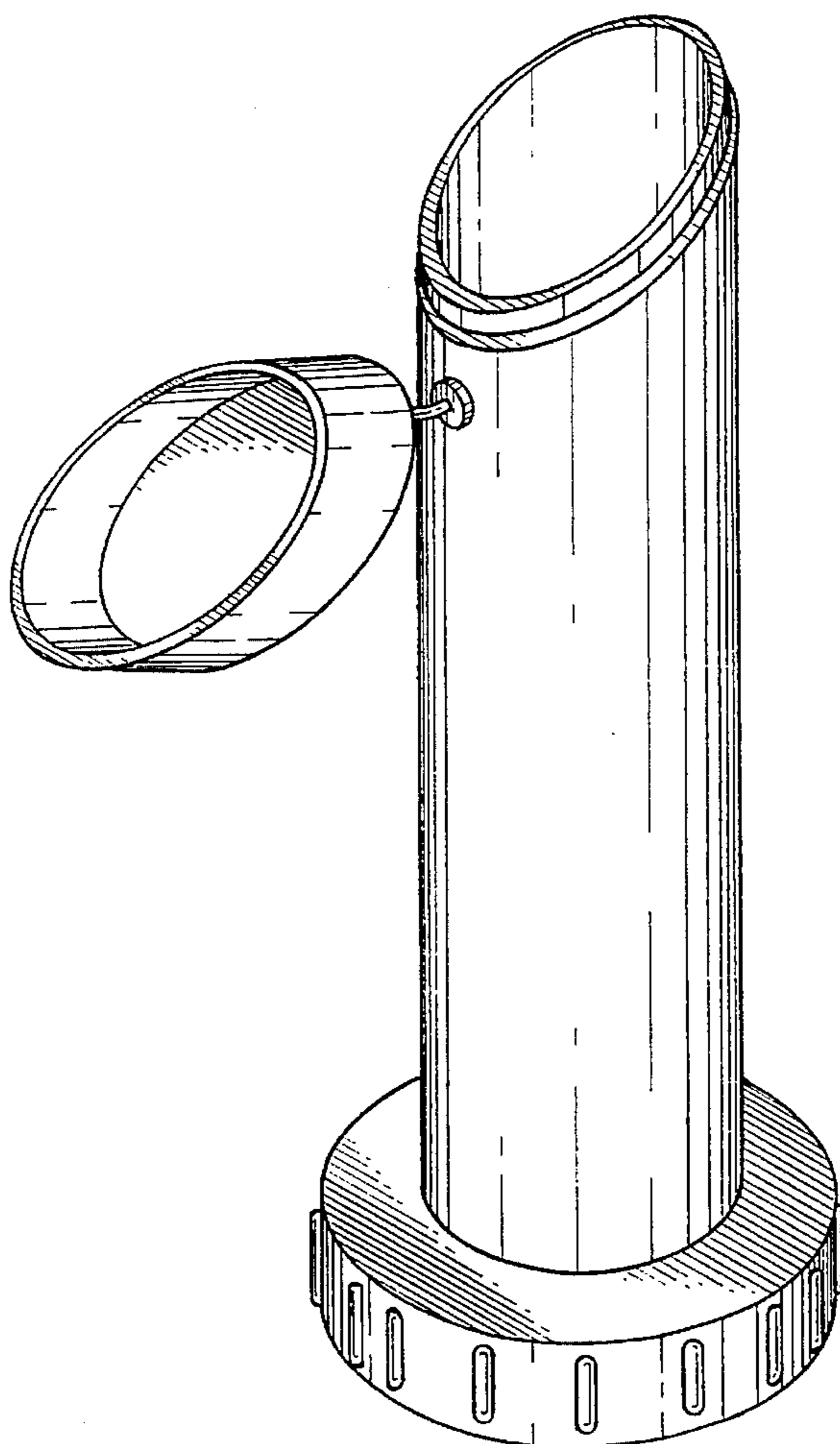
[57] **CLAIM**

The ornamental design for a pouring spout, as shown and described.

DESCRIPTION

FIG. 1 is a front, top and side perspective view of the pouring spout embodying the design of the present invention in open position;
FIG. 2 is a front elevational view in closed position;
FIG. 3 is a rear elevational view in closed position;
FIG. 4 is a side elevational view thereof, the side opposite being a mirror image of the side shown in FIG. 4.
FIG. 5 is a top plan view thereof; and,
FIG. 6 is a bottom plan view thereof.

1 Claim, 2 Drawing Sheets



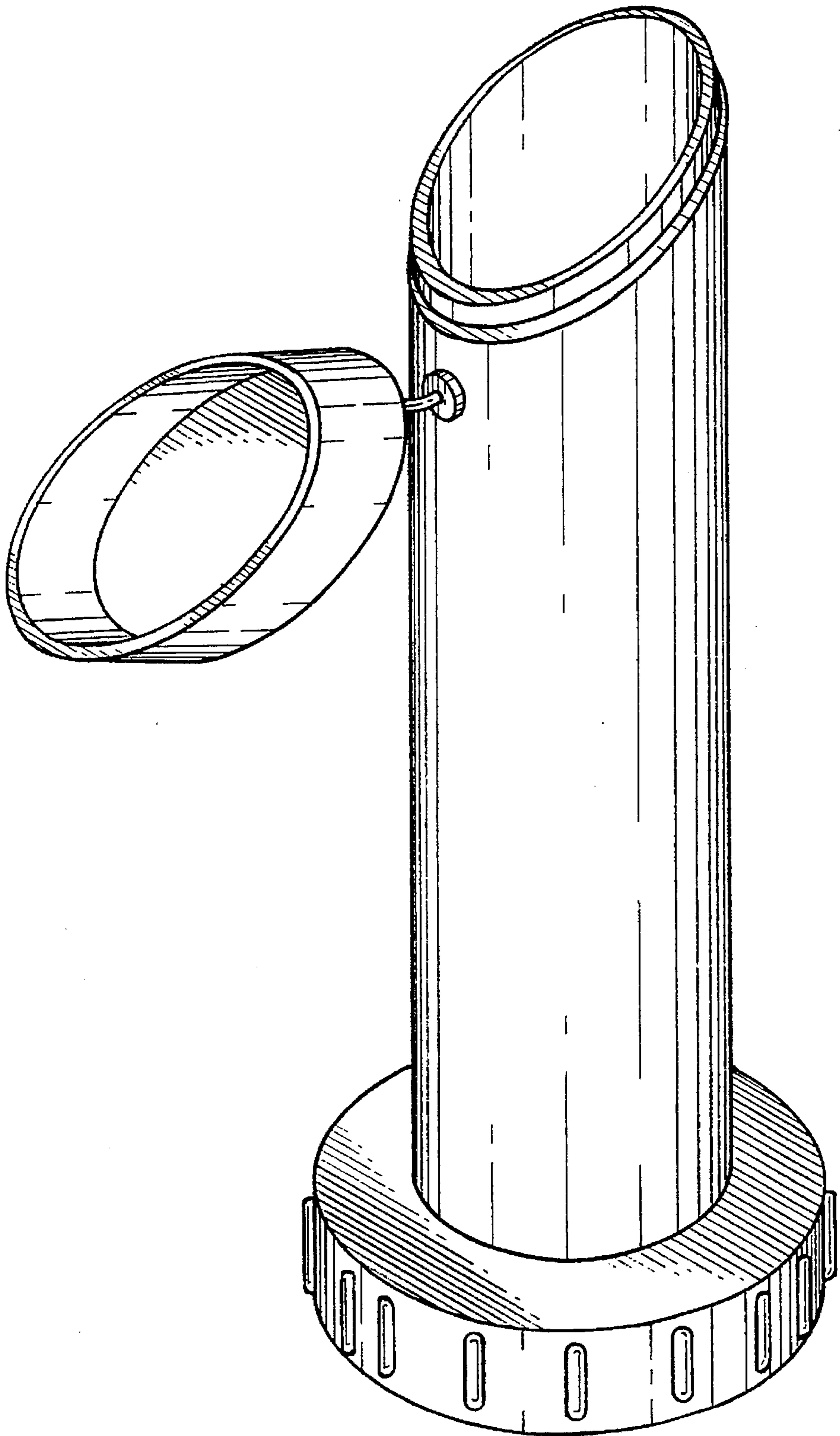


FIG. 1

FIG. 2

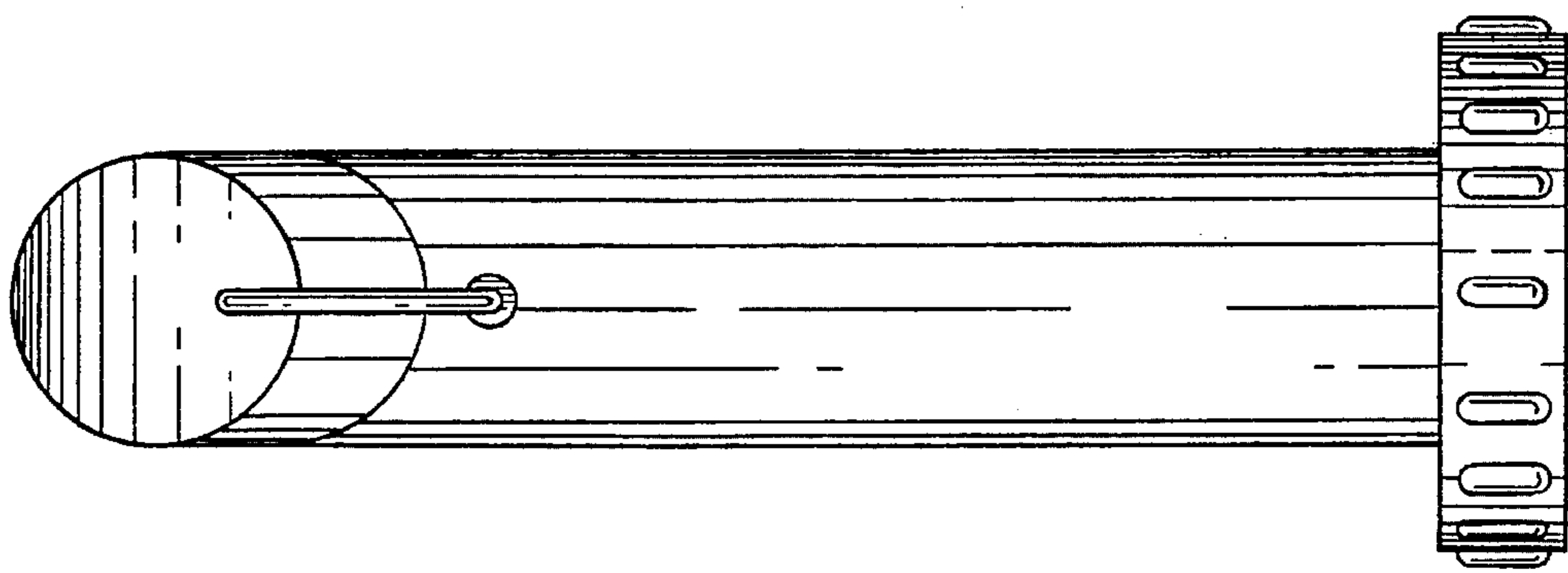


FIG. 3

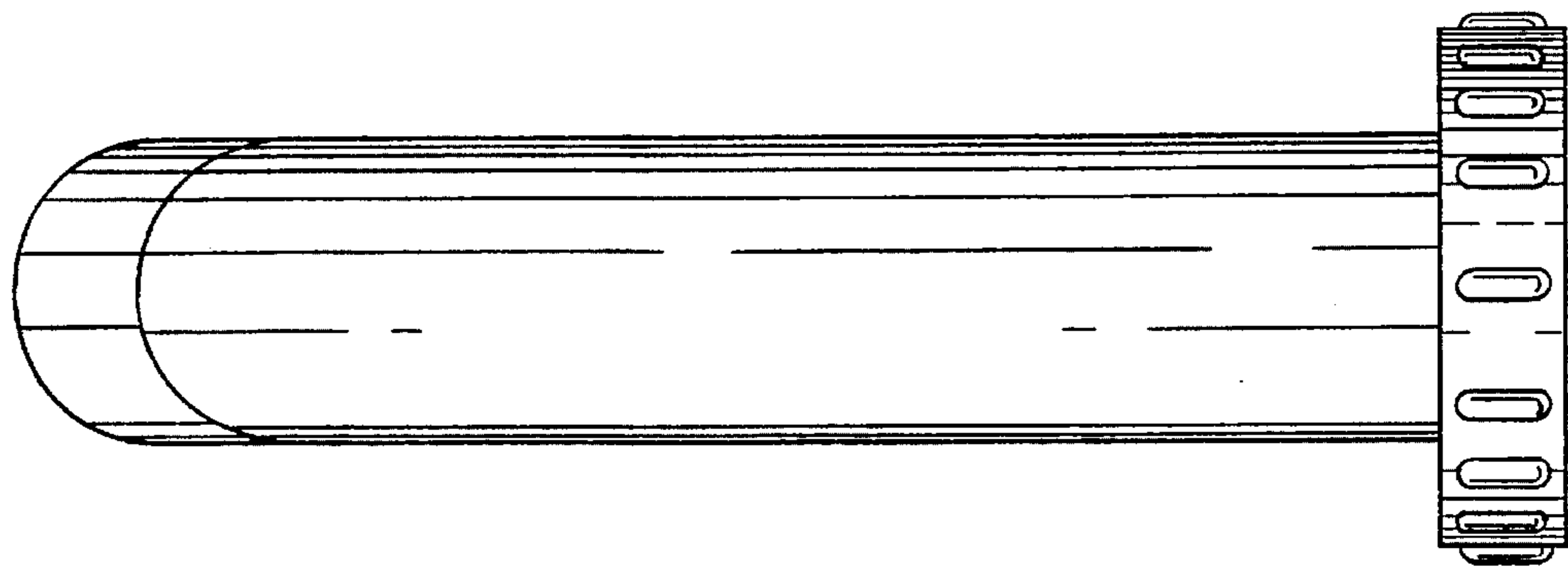


FIG. 4

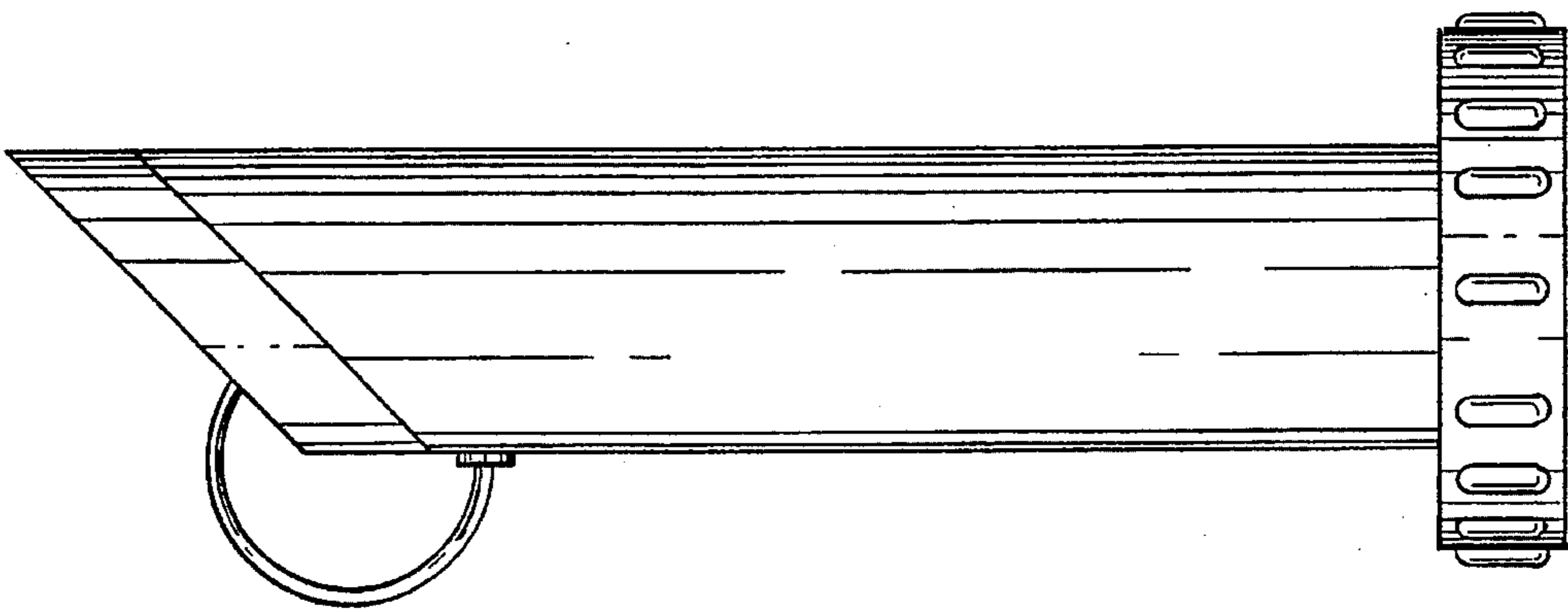


FIG. 5

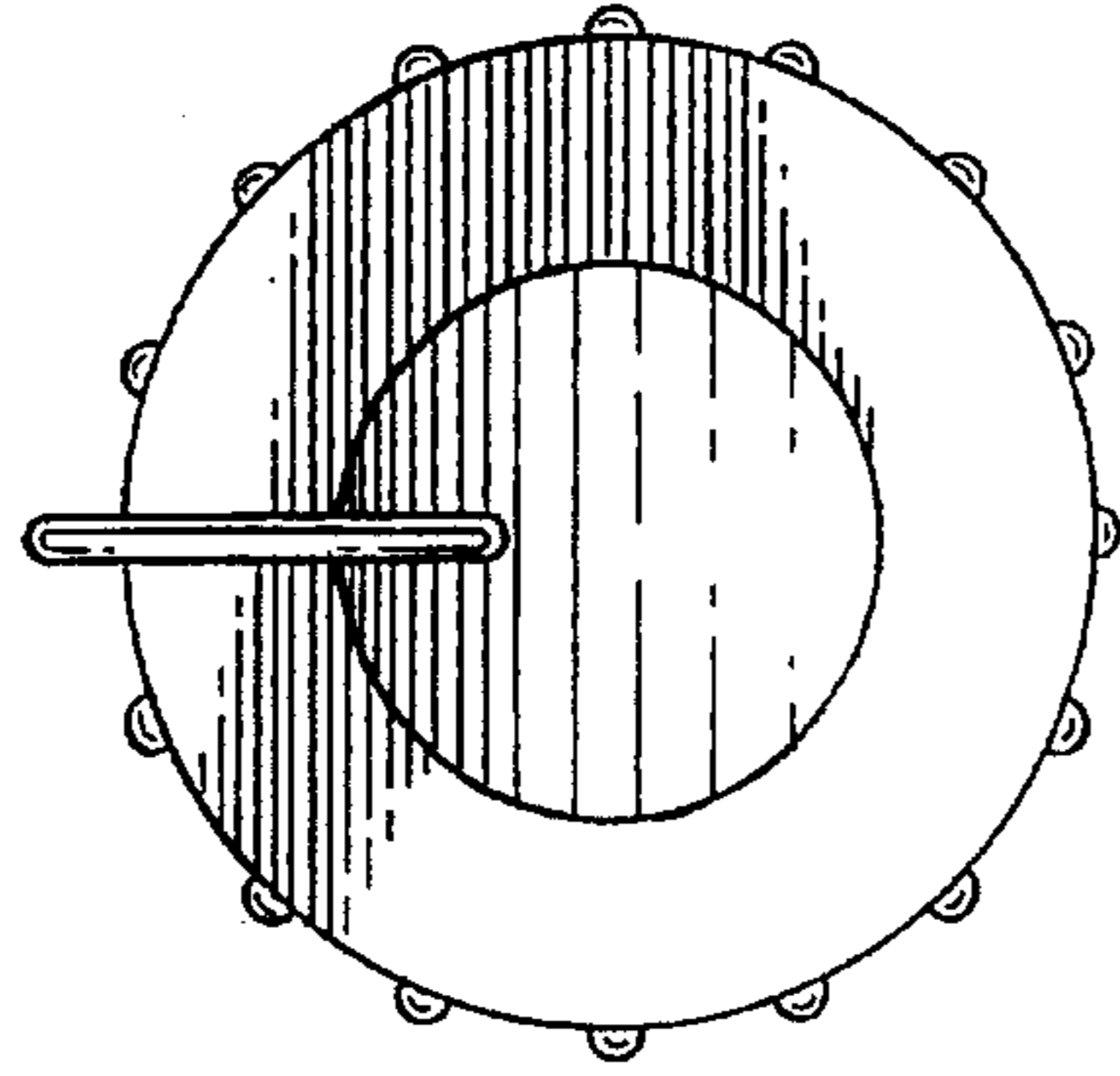


FIG. 6

