



US00D368855S

United States Patent [19]

[11] Patent Number: **Des. 368,855**

Triassi et al.

[45] Date of Patent: ****Apr. 16, 1996**

[54] **THREE-CHAMBERED BOTTLE FOR CHEMICALS FOR A PHOTOGRAPHIC FILM PROCESSOR**

[75] Inventors: **Richard P. Triassi**, Walworth; **William A. Bergstresser**, Prattsburgh; **David A. Doucette**, Hamlin; **Linn C. Hoover**, Webster; **Ronald R. Vacek**, Rochester, all of N.Y.

[73] Assignee: **Eastman Kodak Company**, Rochester, N.Y.

[**] Term: **14 Years**

[21] Appl. No.: **35,731**

[22] Filed: **Mar. 3, 1995**

[52] U.S. Cl. **D9/347; D9/520; D9/524; D9/528; D9/533**

[58] Field of Search **D9/347, 341, 524, D9/528, 520, 533; 215/6, 10, 398; 222/478, 479, 132, 158, 466, 482, 485**

[56] **References Cited**

U.S. PATENT DOCUMENTS

D. 292,267	10/1987	Costa	D9/347
D. 292,268	10/1987	Costa	D9/347
D. 302,658	8/1989	Grinde	D9/375
D. 304,805	11/1989	Mednis	D9/528
D. 312,210	11/1990	Myerson	D9/528
D. 323,980	2/1992	Perrin	D9/347

D. 346,113	4/1994	Ferguson et al.	D9/347
D. 361,509	8/1995	Dull et al.	D9/347
4,271,965	6/1981	Brambley et al.	206/219
4,860,927	8/1989	Grinde	222/158
4,881,651	11/1989	Schiemann	220/20
4,893,732	1/1990	Jennings	222/158 X
5,151,731	9/1992	Yamada et al.	354/324
5,184,164	2/1993	Kose et al.	354/298

OTHER PUBLICATIONS

The Bettix Dispensing Containers Brochure.

Primary Examiner—Lucy Lieberman

Attorney, Agent, or Firm—Charles E. Snee, III

[57] **CLAIM**

The ornamental design for a three-chambered bottle for chemicals for a photographic film processor, as shown and described.

DESCRIPTION

FIG. 1 is a shows a perspective view of a three-chambered bottle for chemicals for a photographic film processor embodying our new design;

FIG. 2 shows a front view of our design;

FIG. 3 shows a rear view of our design;

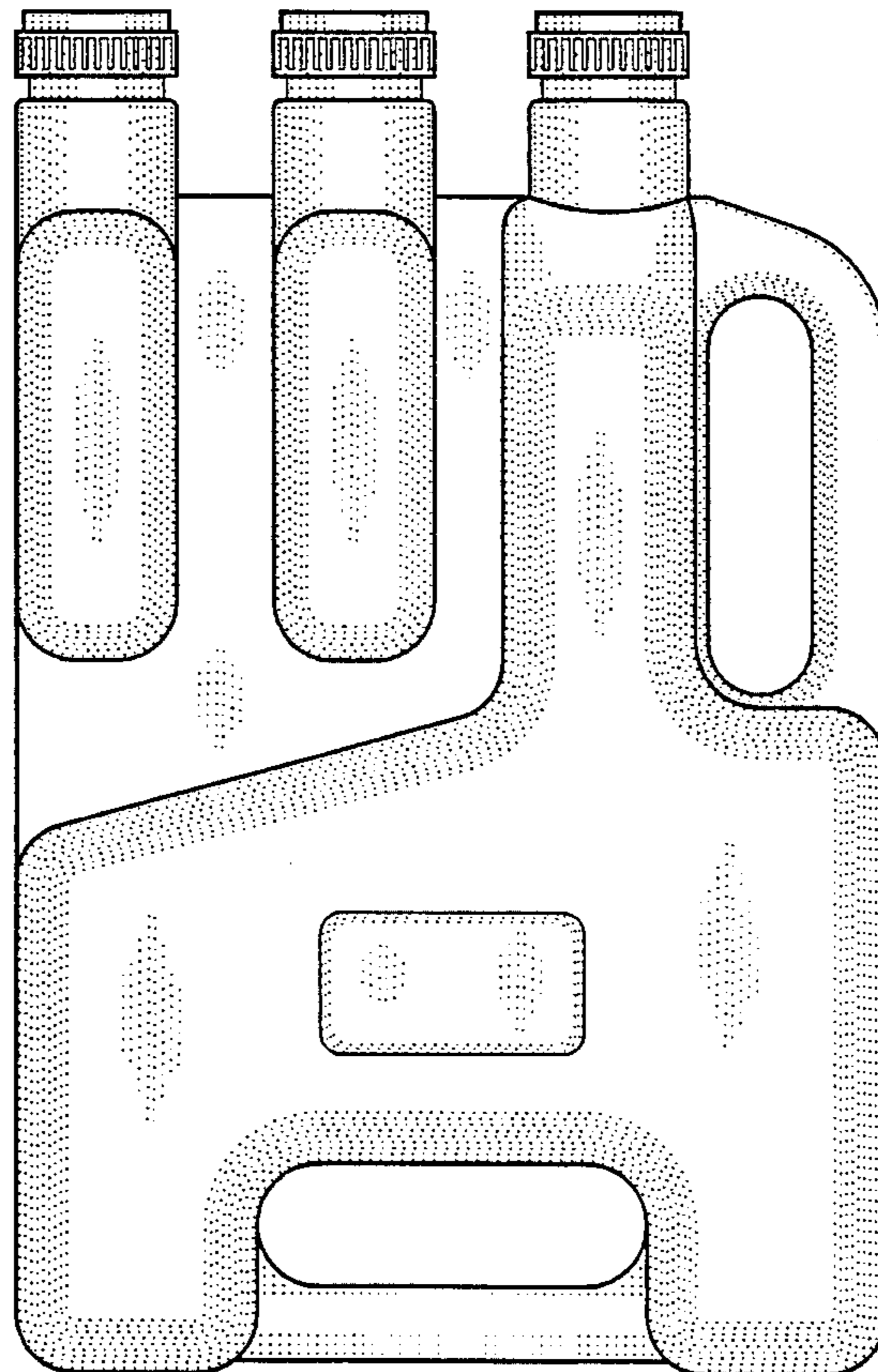
FIG. 4 shows a side view as seen from the left of FIG. 2;

FIG. 5 shows a side view as seen from the right of FIG. 2;

FIG. 6 shows a top view of our design; and,

FIG. 7 is a shows a bottom view of our design.

1 Claim, 6 Drawing Sheets



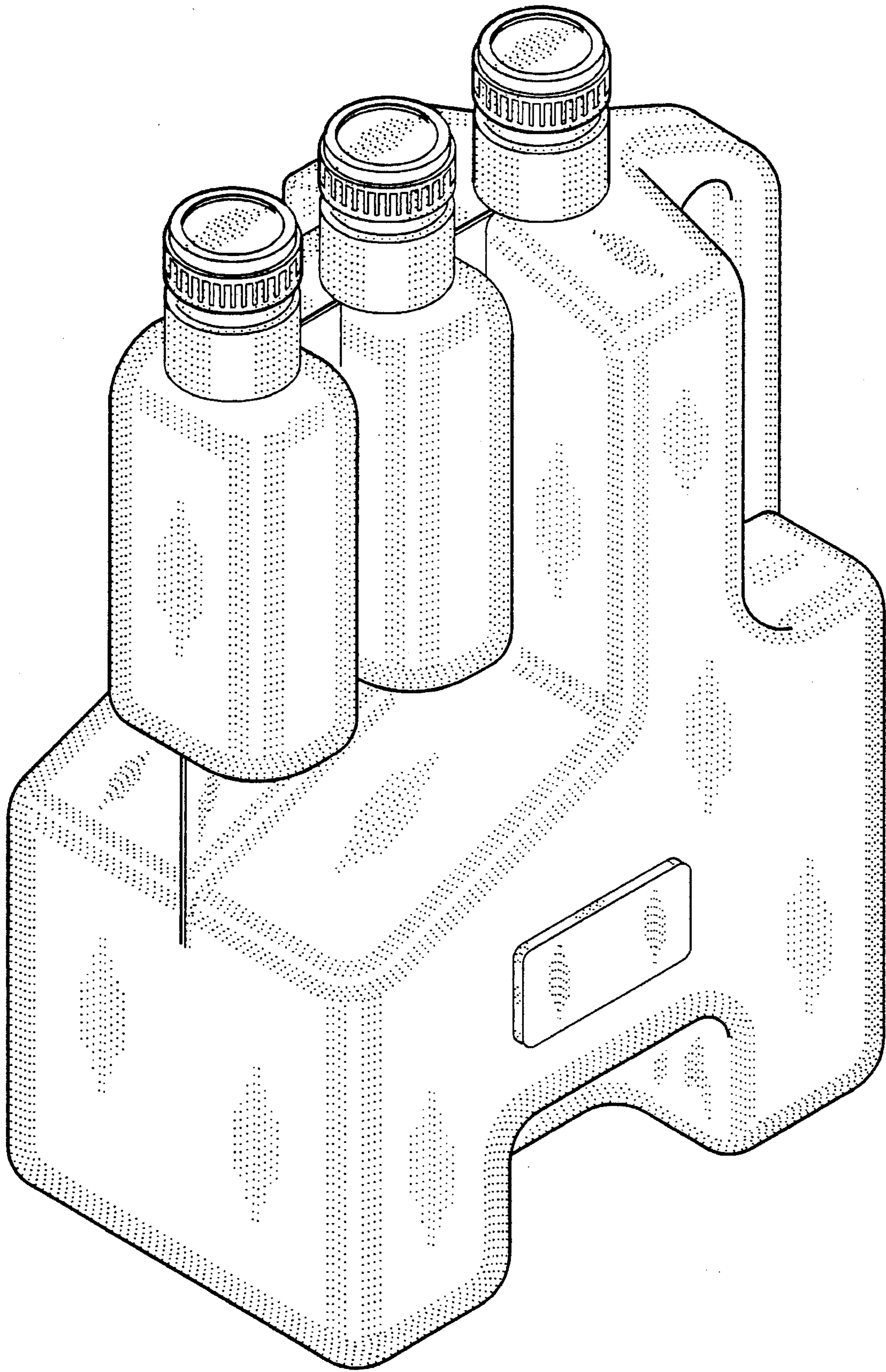


FIG. 1

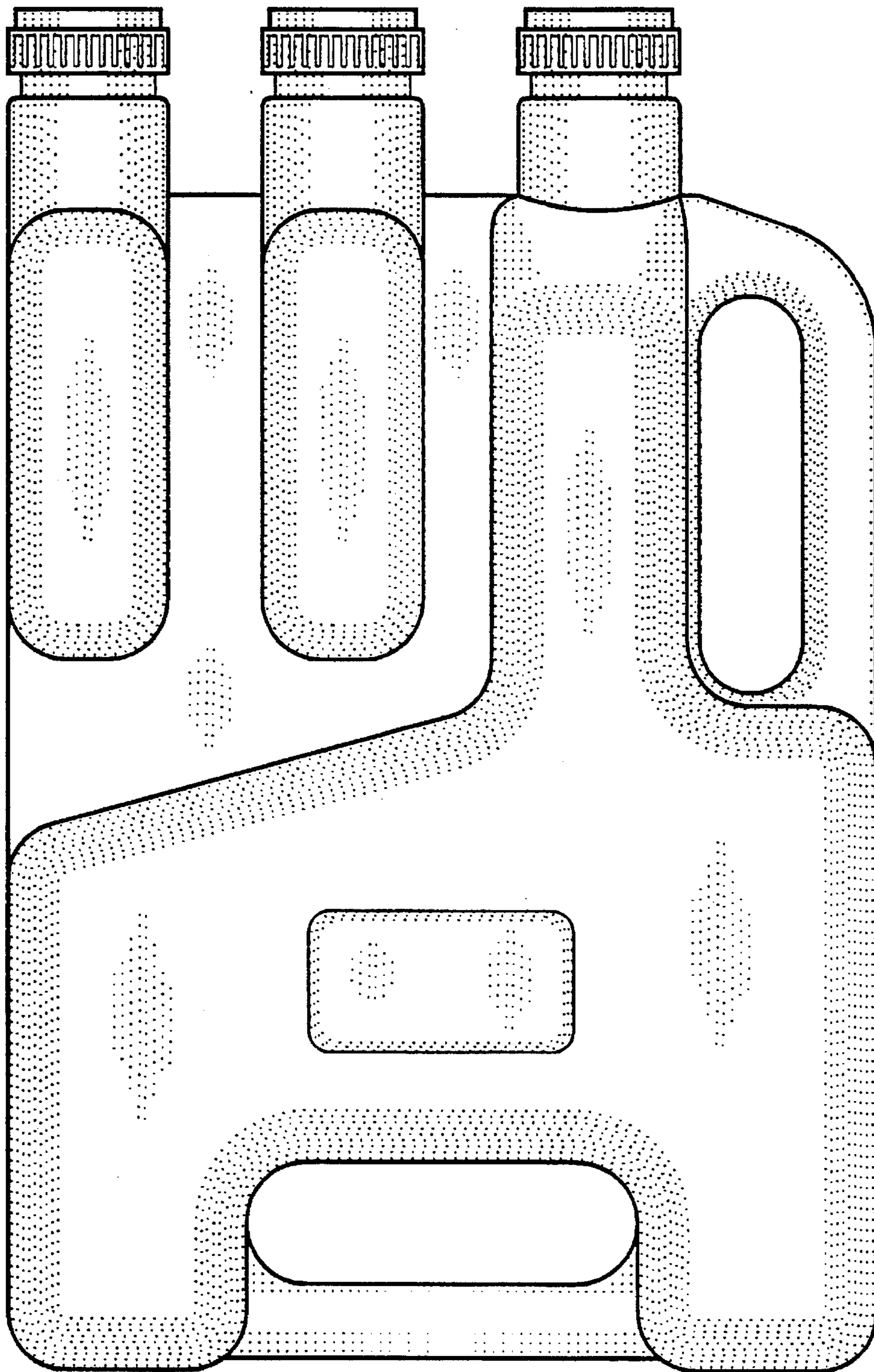


FIG. 2

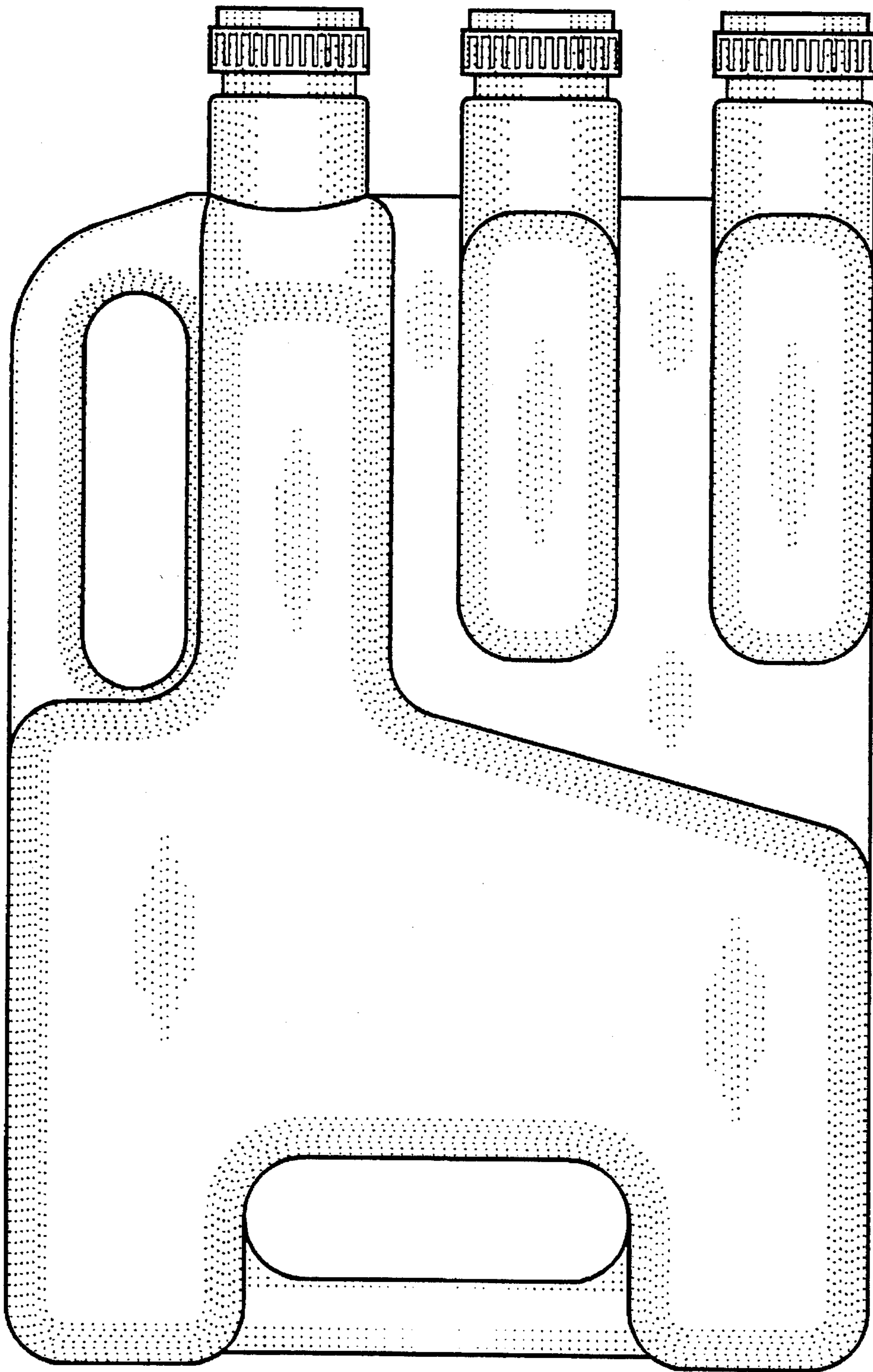


FIG. 3

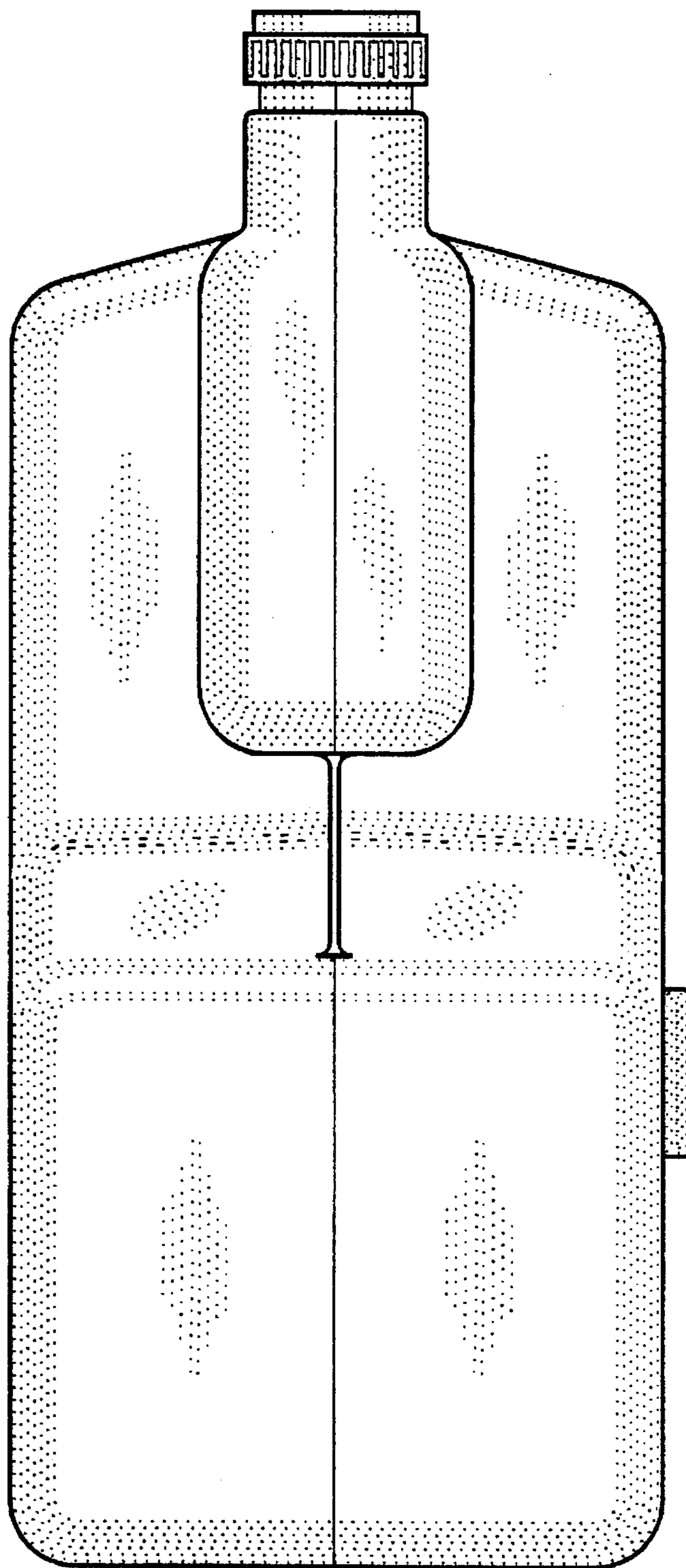


FIG. 4

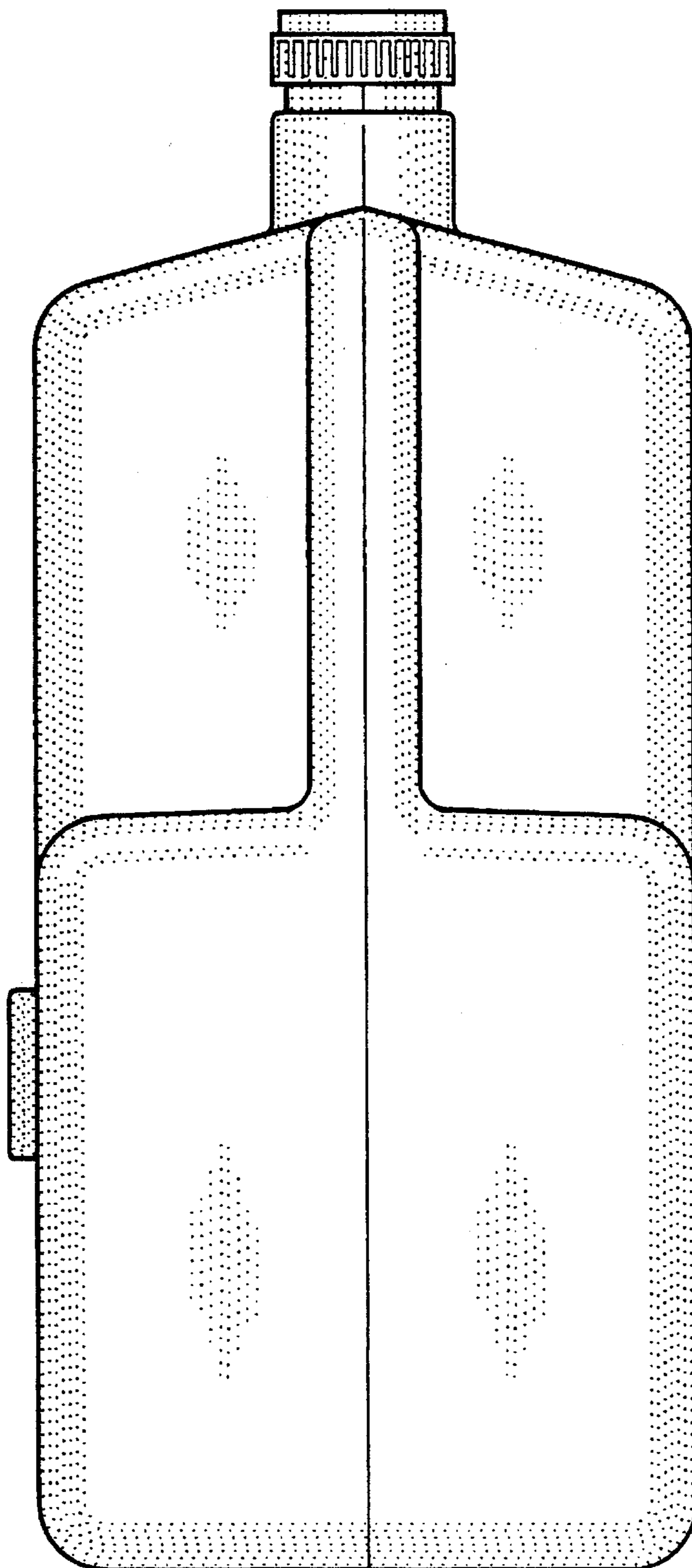


FIG. 5

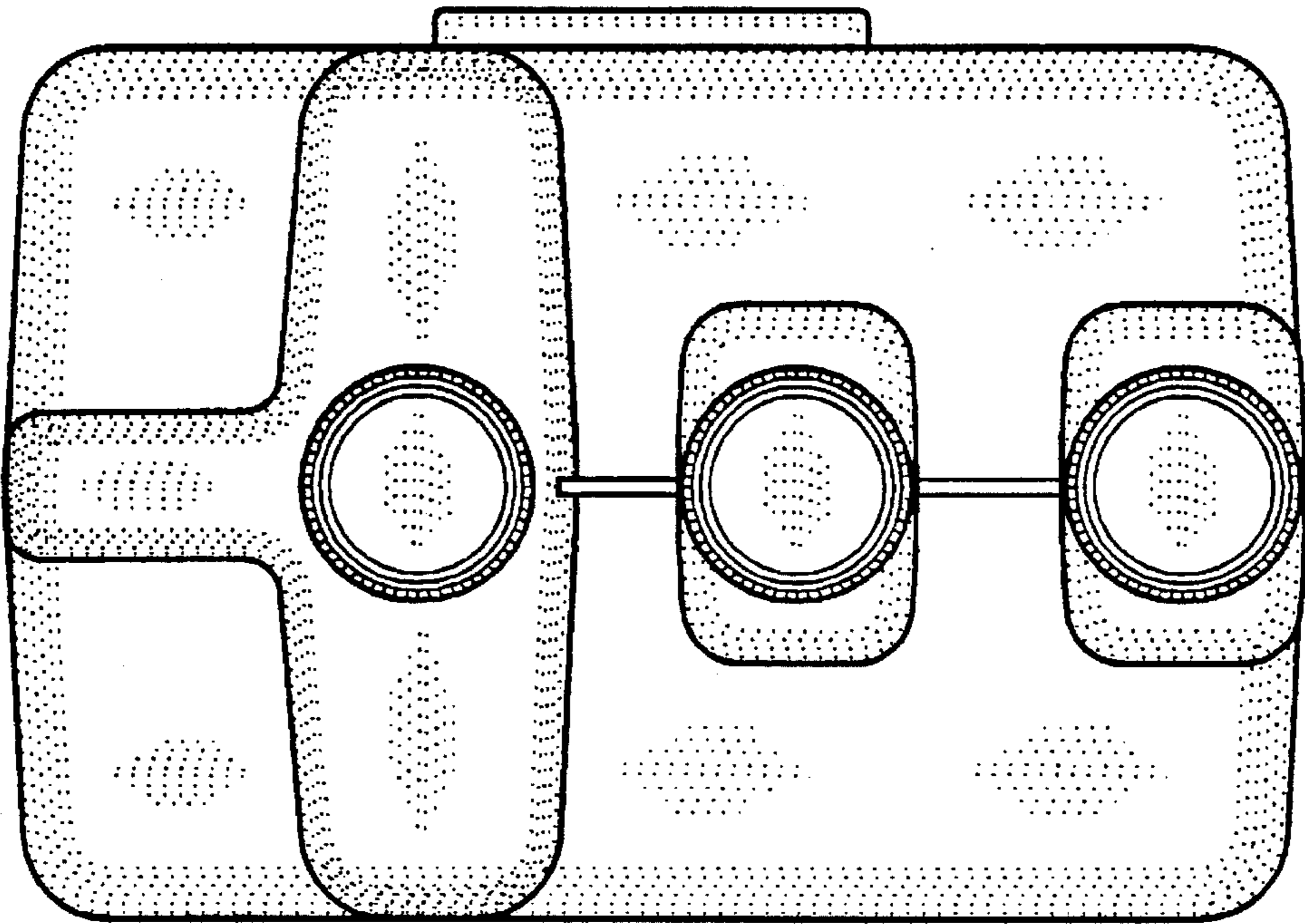


FIG. 6

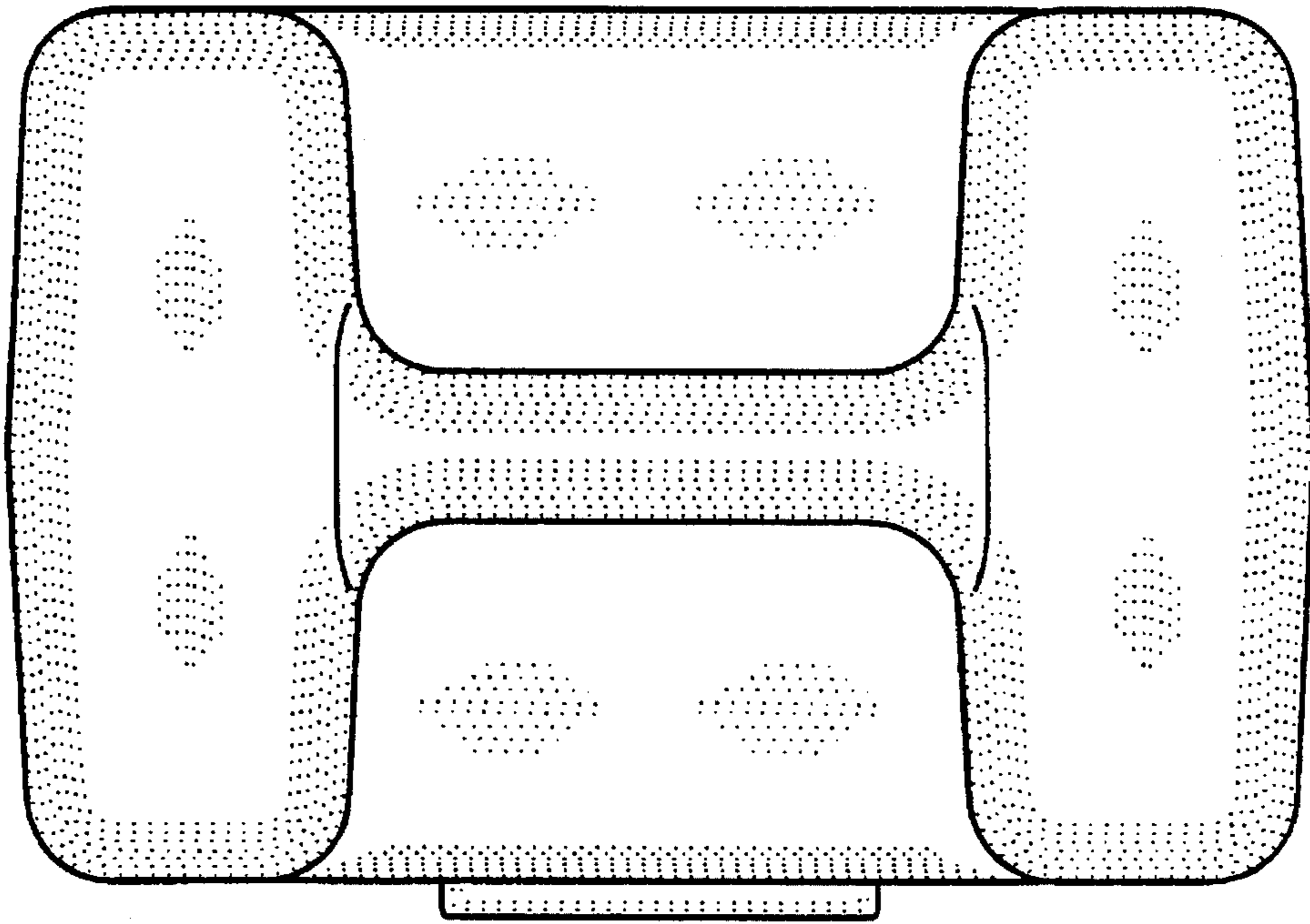


FIG. 7