



US00D368852S

United States Patent [19]

Ikeda

[11] Patent Number: **Des. 368,852**

[45] Date of Patent: ****Apr. 16, 1996**

[54] STRAP FASTENER

[75] Inventor: **Yasuhiko Ikeda**, Toyonaka, Japan

[73] Assignee: **Nifco Inc.**, Yokohama, Japan

[**] Term: **14 Years**

[21] Appl. No.: **31,187**

[22] Filed: **Nov. 10, 1994**

[30] Foreign Application Priority Data

May 12, 1994 [JP] Japan 6-13194

[52] U.S. Cl. **D8/383**

[58] Field of Search D8/383, 356; 24/136 A, 24/136 R, 115 H, 115 G, 115 R; D11/200, 222, 213, 214, 220

[56] References Cited

U.S. PATENT DOCUMENTS

4,328,605	5/1982	Hutchison et al.	24/115 G
4,453,292	6/1984	Bakker	24/115 G
4,622,723	11/1986	Krauss	24/115 G
4,675,948	6/1987	Bongtsson	24/136 R X
4,724,584	2/1988	Kasai	24/136 R X
4,839,946	6/1989	Murai	24/136 R X
5,197,166	3/1993	Meier et al.	24/115 G
5,323,514	6/1994	Masuda et al.	24/115 G
5,379,496	1/1995	Krauss	24/115 G X

Primary Examiner—Ted Shooman
Assistant Examiner—Paula Mortimer
Attorney, Agent, or Firm—Oblon, Spivak, McClelland, Maier & Neustadt

[57] CLAIM

The ornamental design for a strap fastener, as shown and described.

DESCRIPTION

FIG. 1 is a right top perspective view of a strap fastener showing my new design;

FIG. 2 is a front elevational view thereof, the rear being symmetrical to the front;

FIG. 3 is a right side elevational view thereof, the left side being symmetrical to the right side;

FIG. 4 is a top plan view thereof;

FIG. 5 is a bottom plan view thereof;

FIG. 6 is a front elevational of a male part thereof, the rear is a mirror image;

FIG. 7 is a right side elevational view thereof, the opposite side is a mirror image;

FIG. 8 is a top plan view thereof;

FIG. 9 is a bottom plan view;

FIG. 10 is a front elevational view of the female part thereof, the rear is a mirror image;

FIG. 11 is a right side elevational view thereof, the opposite side is a mirror image;

FIG. 12 is a top plan view thereof;

FIG. 13 is a bottom plan view thereof; and,

FIG. 14 is a strap fastener in use the broken line showing of the jacket is for illustrative purposes and forms no part of the claimed design.

The male and female parts are shown separately for purposes of illustration.

1 Claim, 5 Drawing Sheets

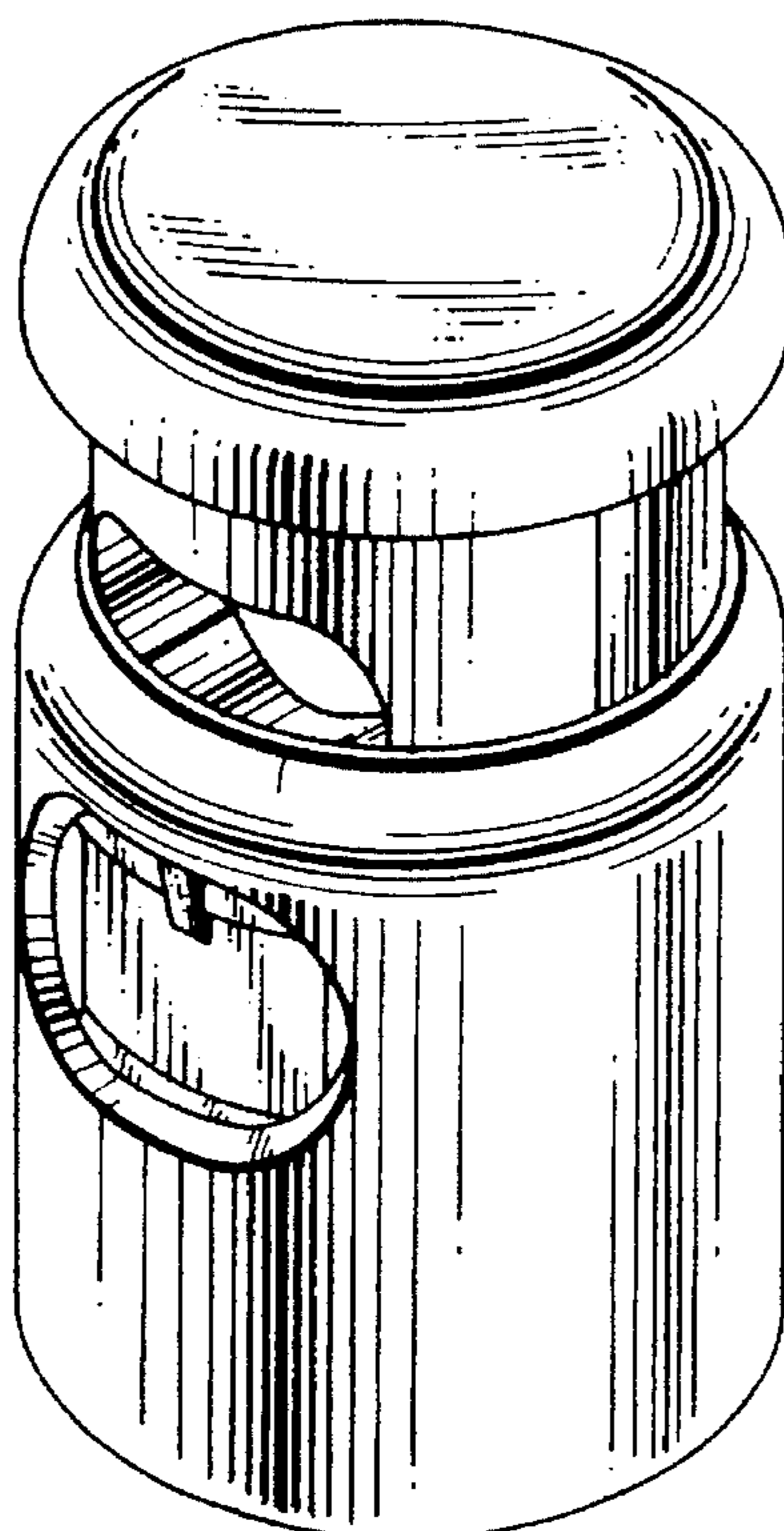


FIG. 1

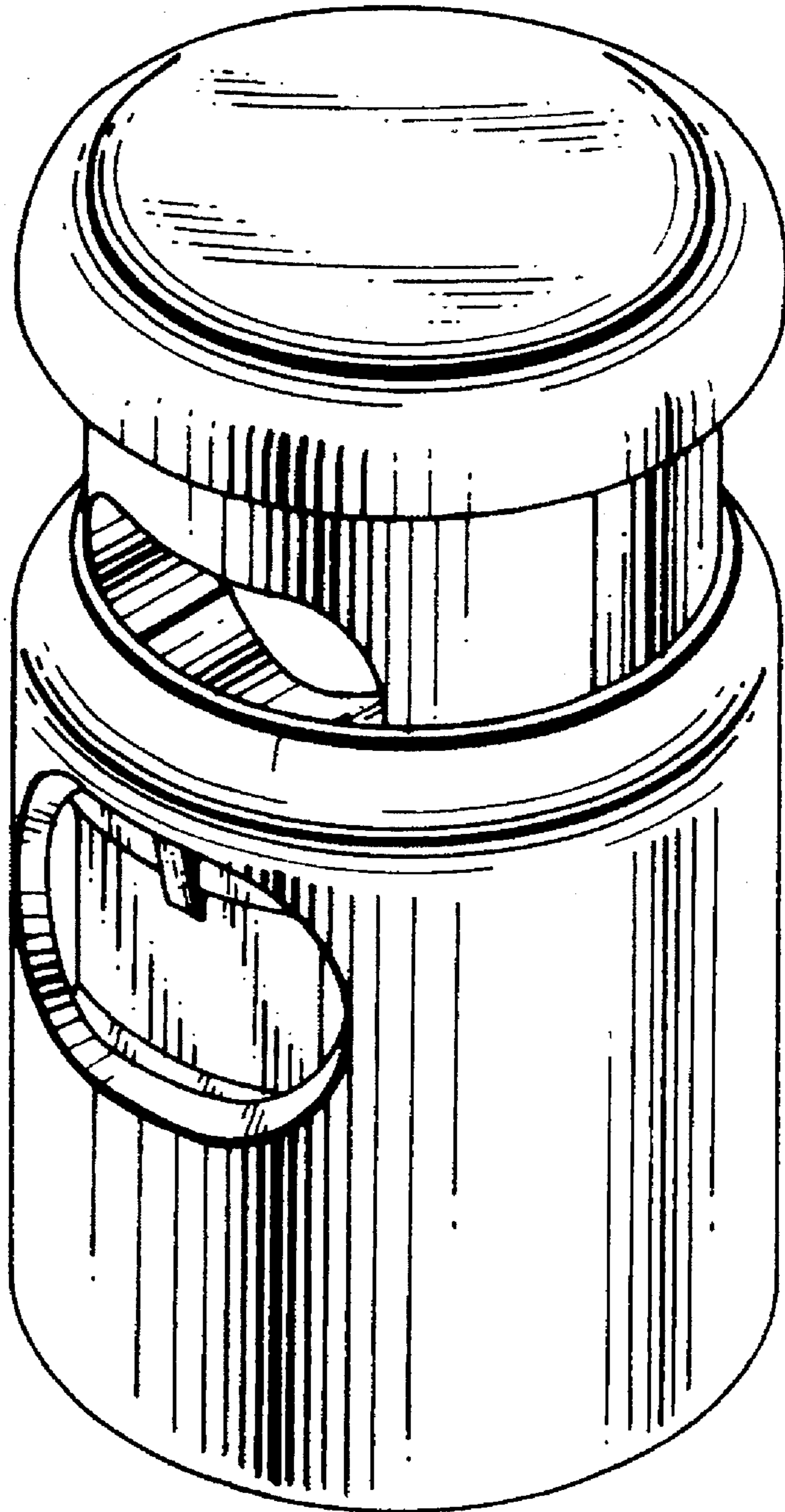


FIG. 2

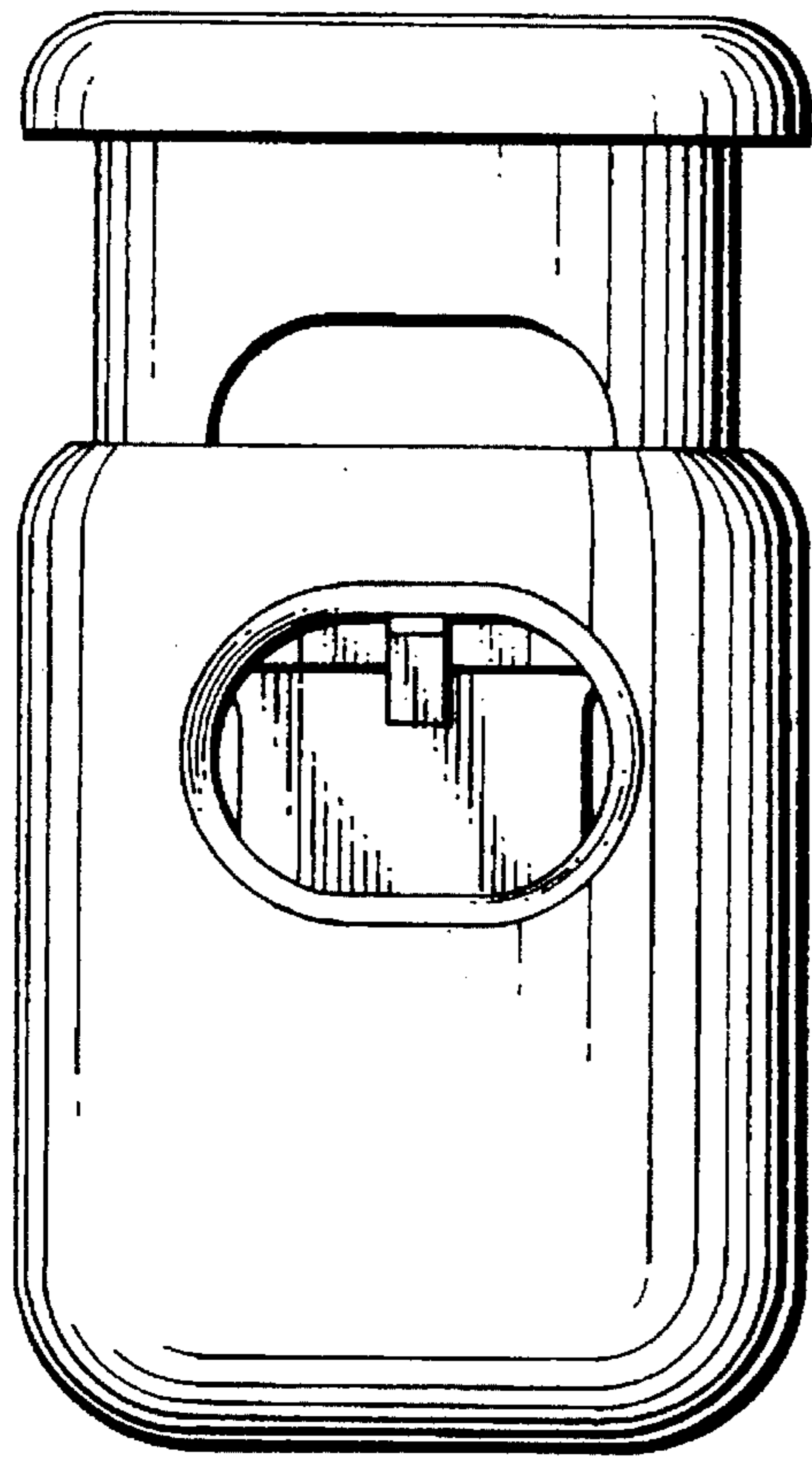


FIG. 3

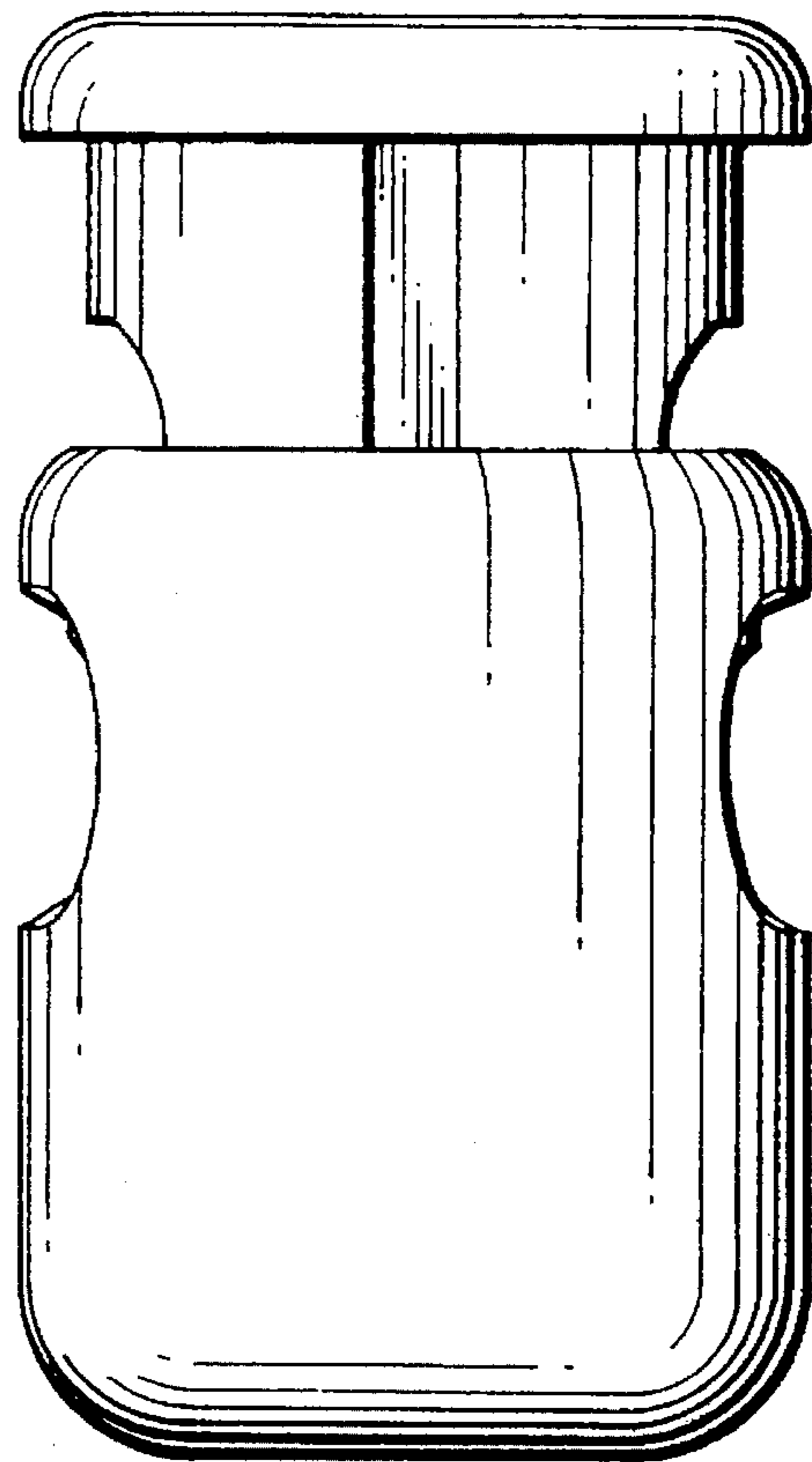


FIG. 4

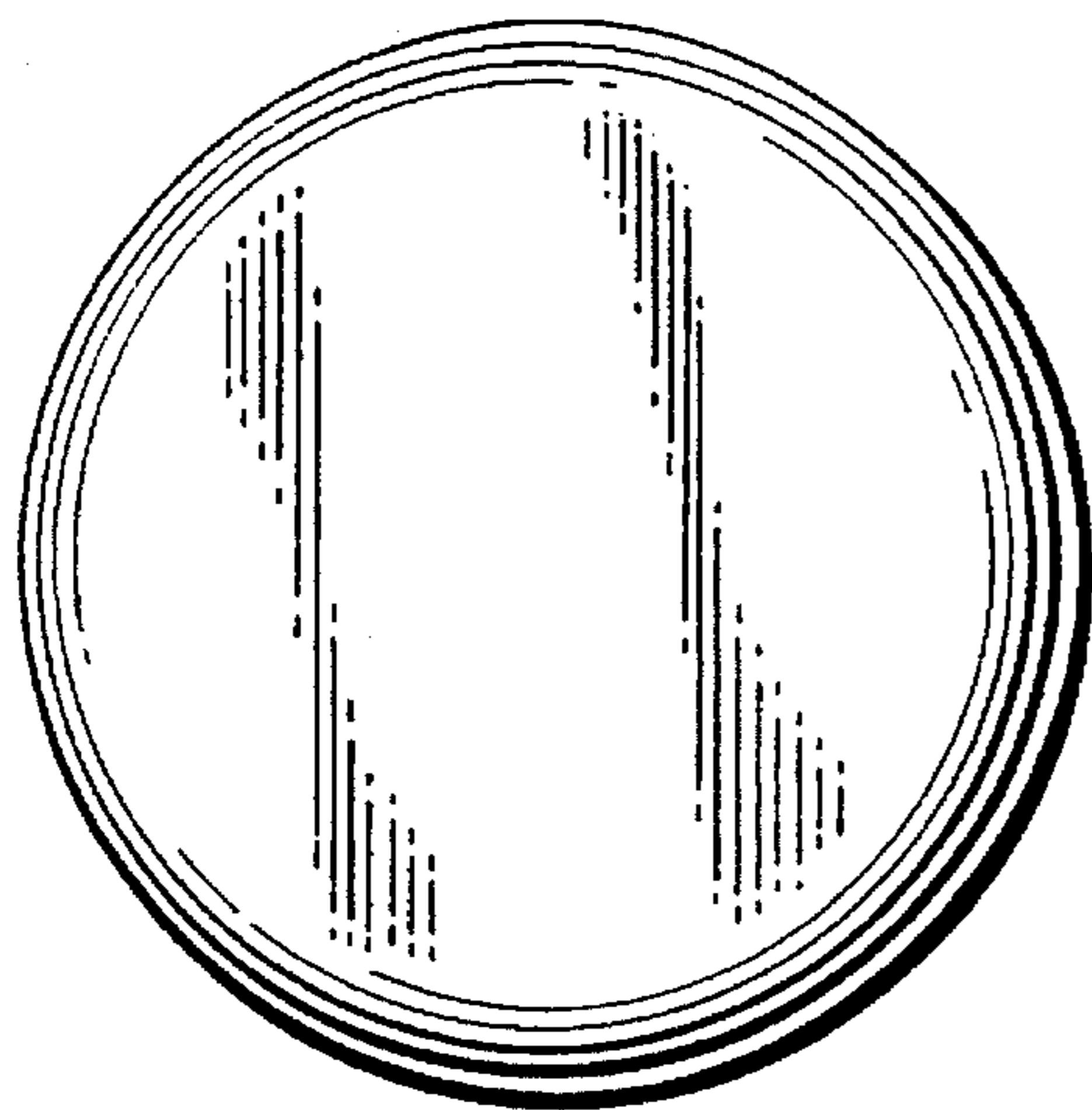


FIG. 5

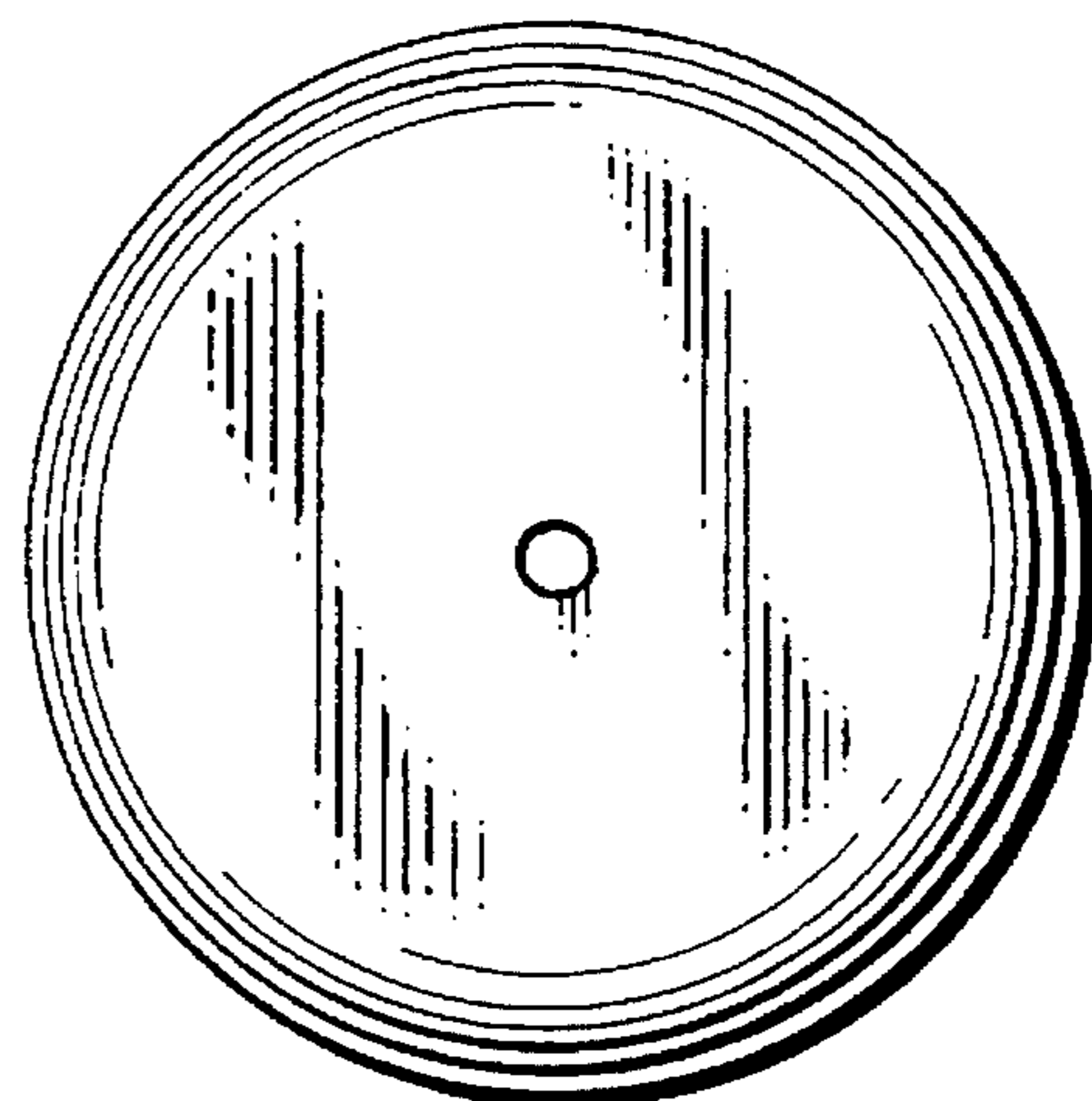


FIG. 6

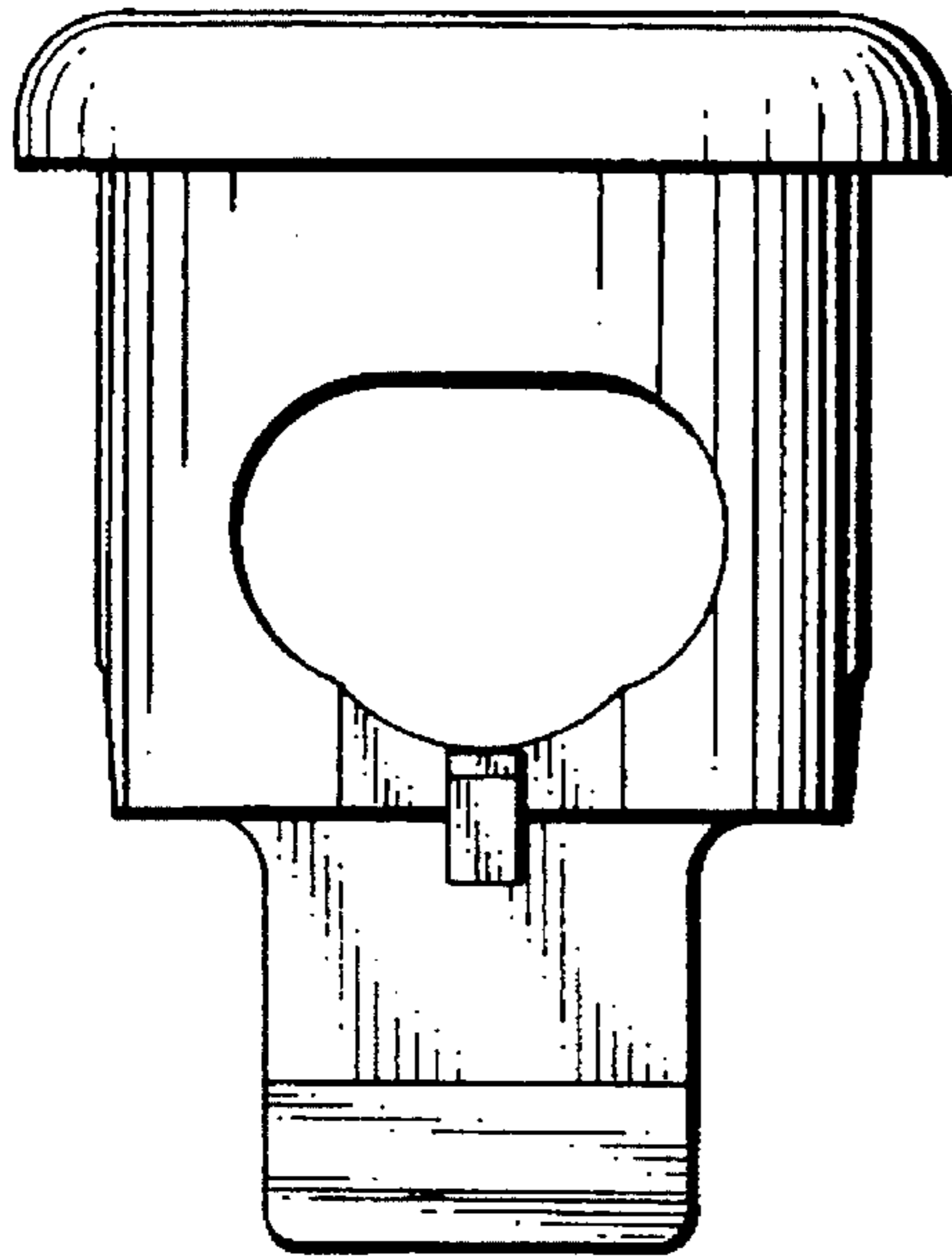


FIG. 7

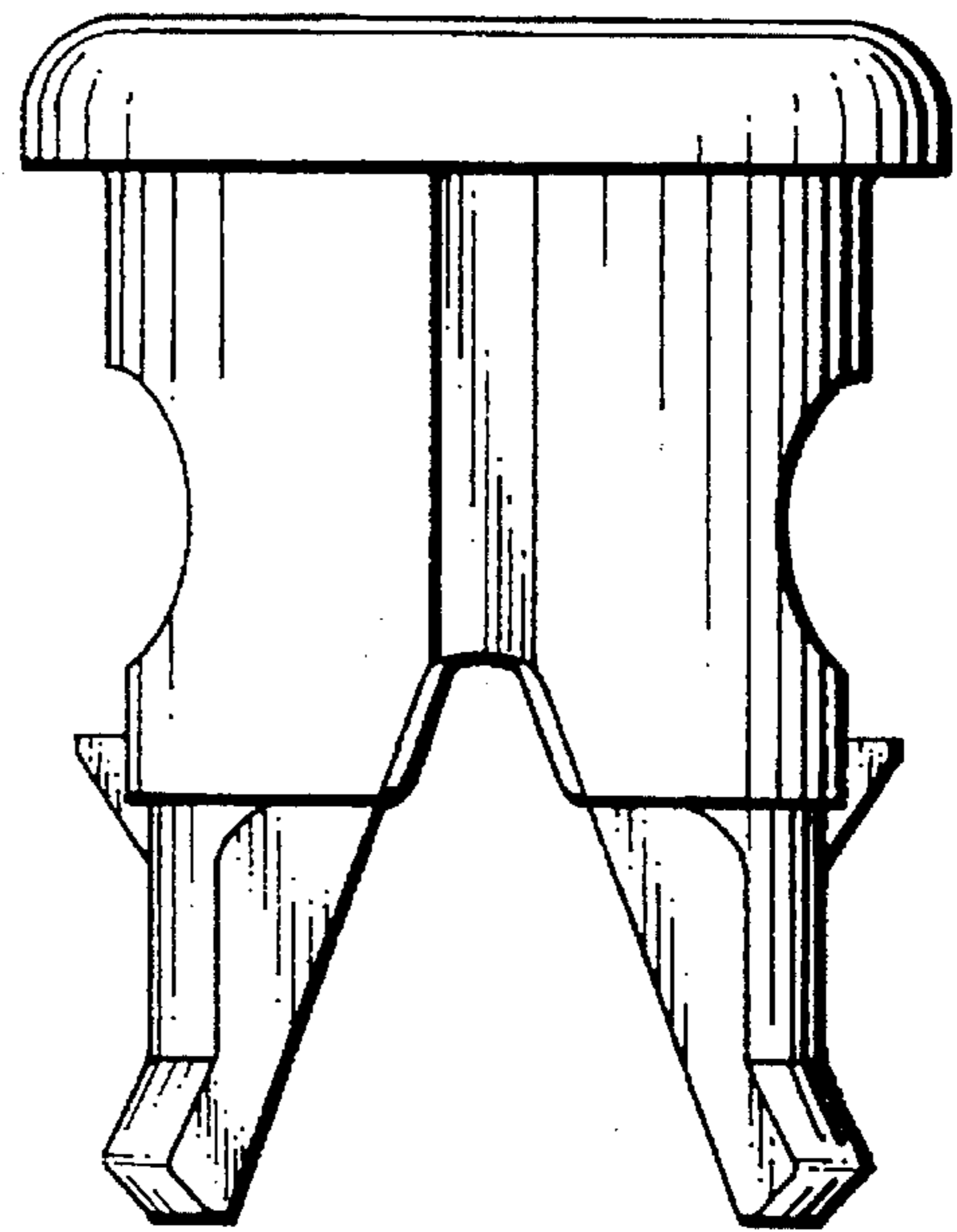


FIG. 8

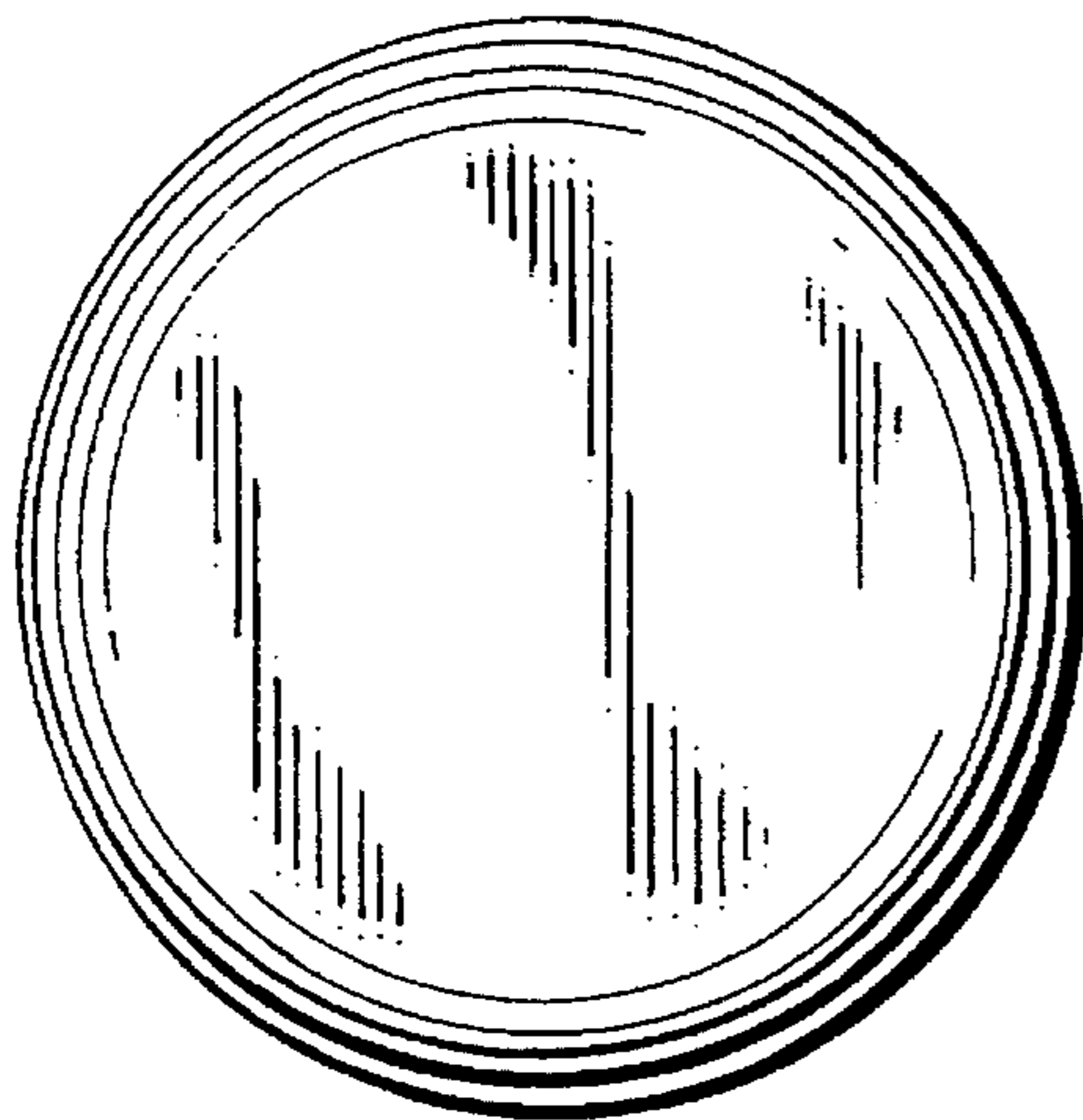


FIG. 9

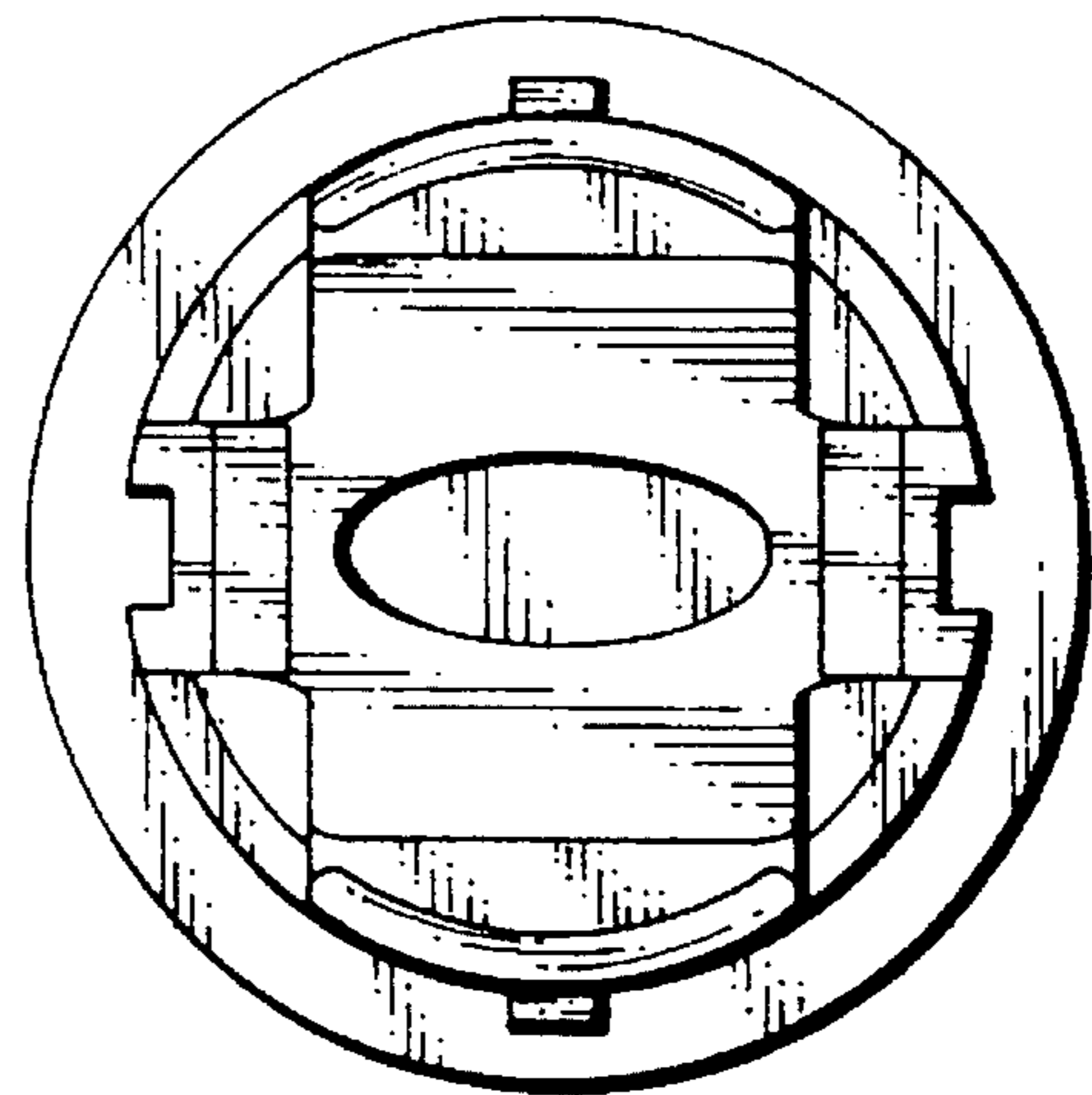


FIG. 10

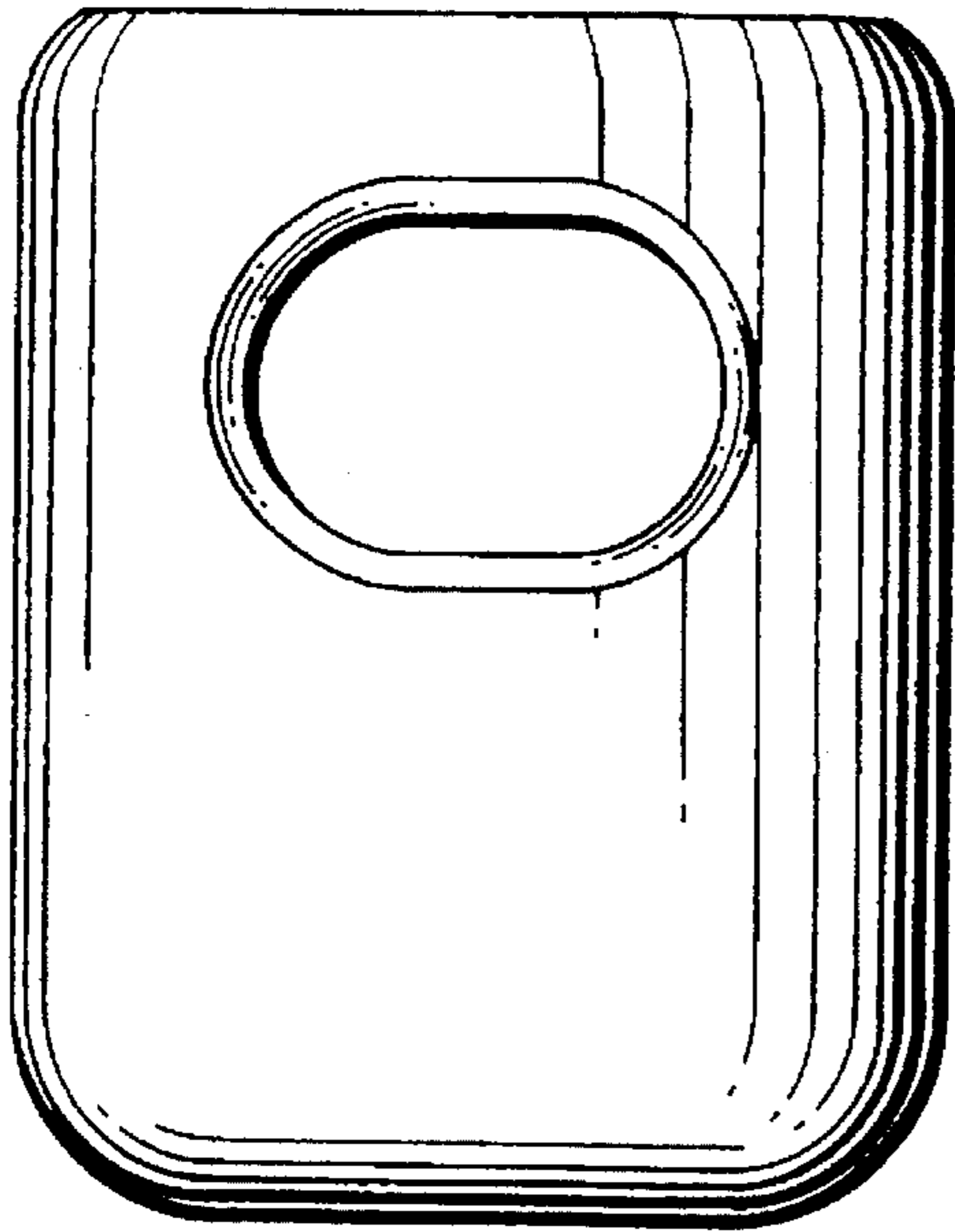


FIG. 11

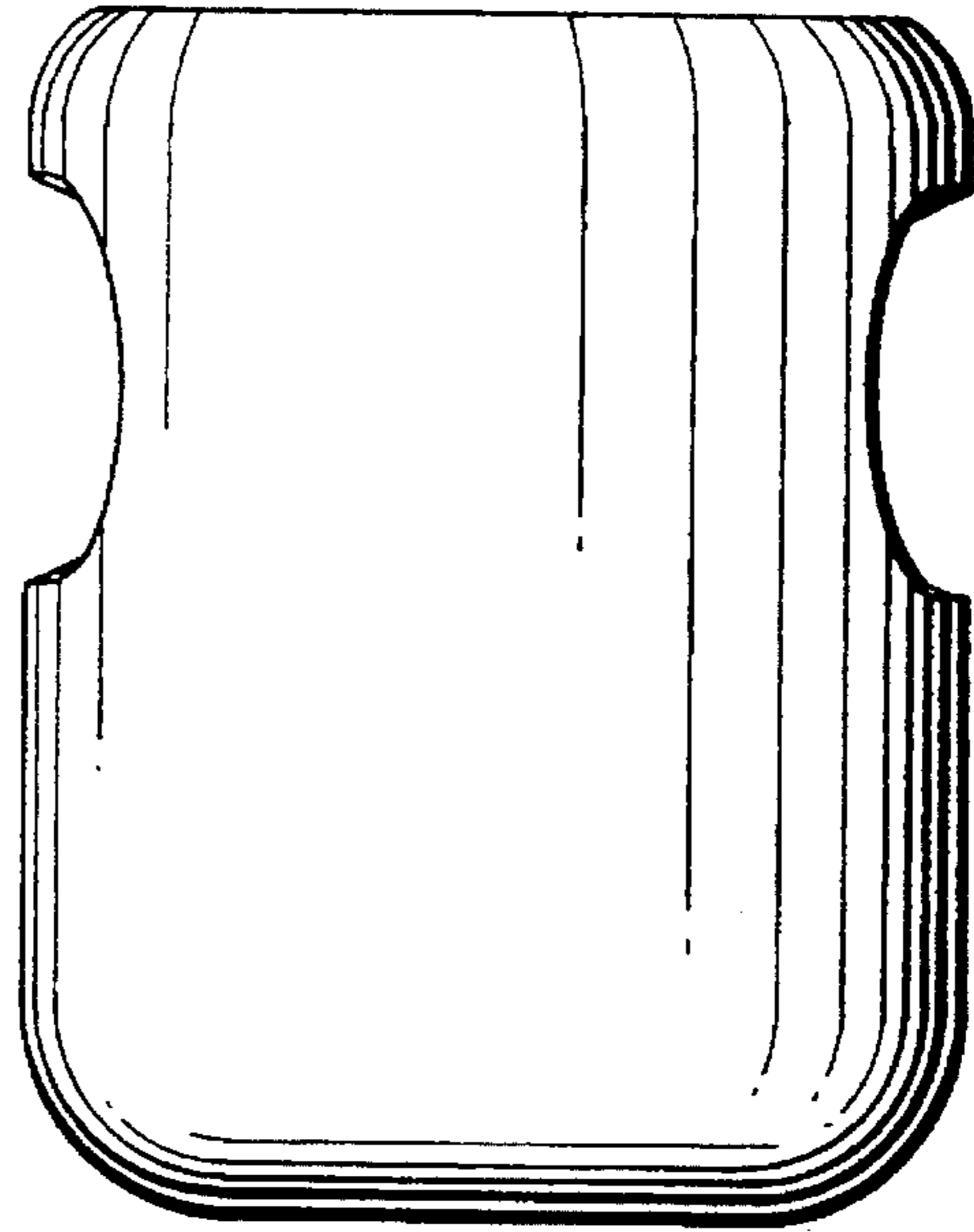


FIG. 12

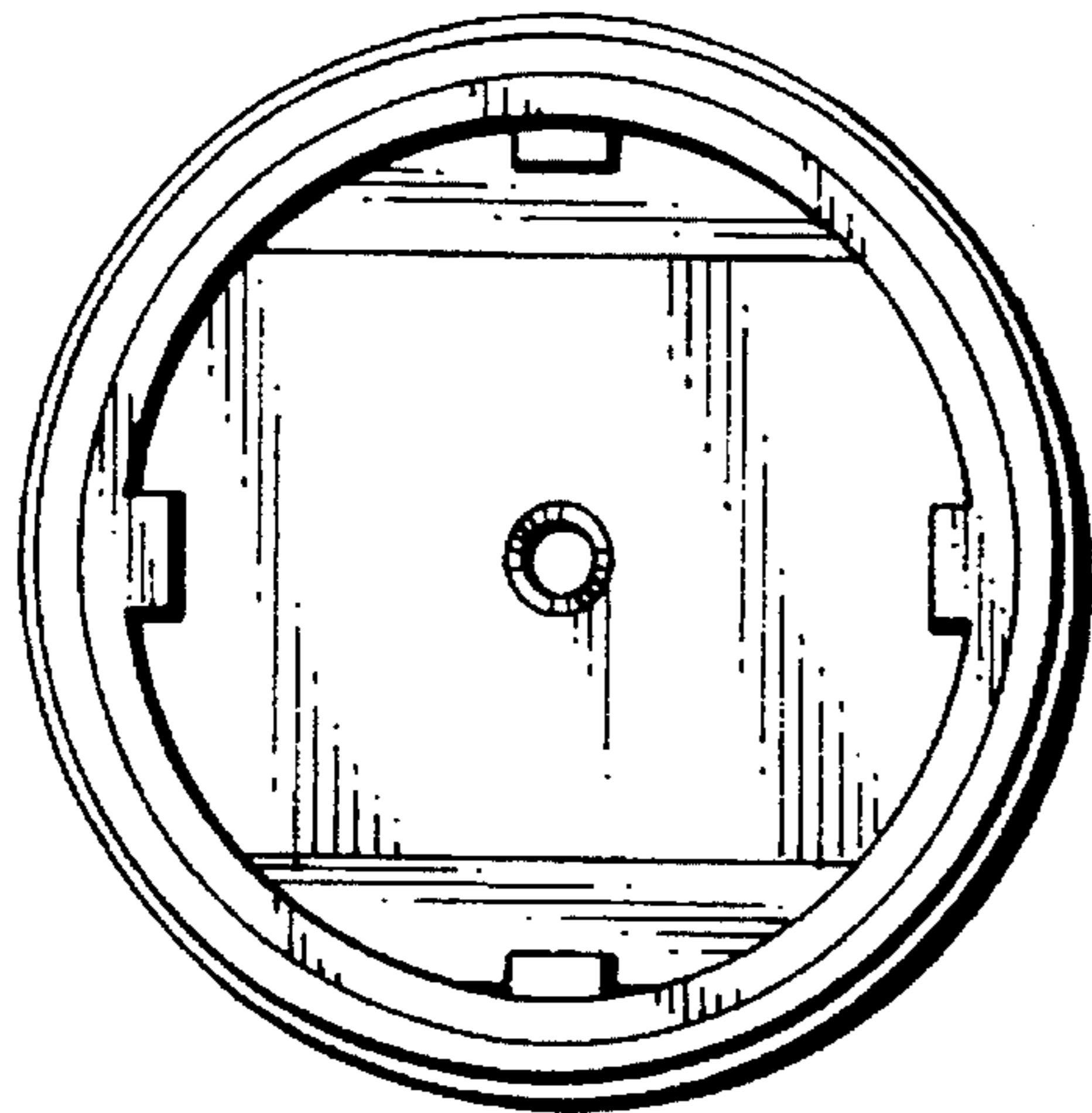


FIG. 13

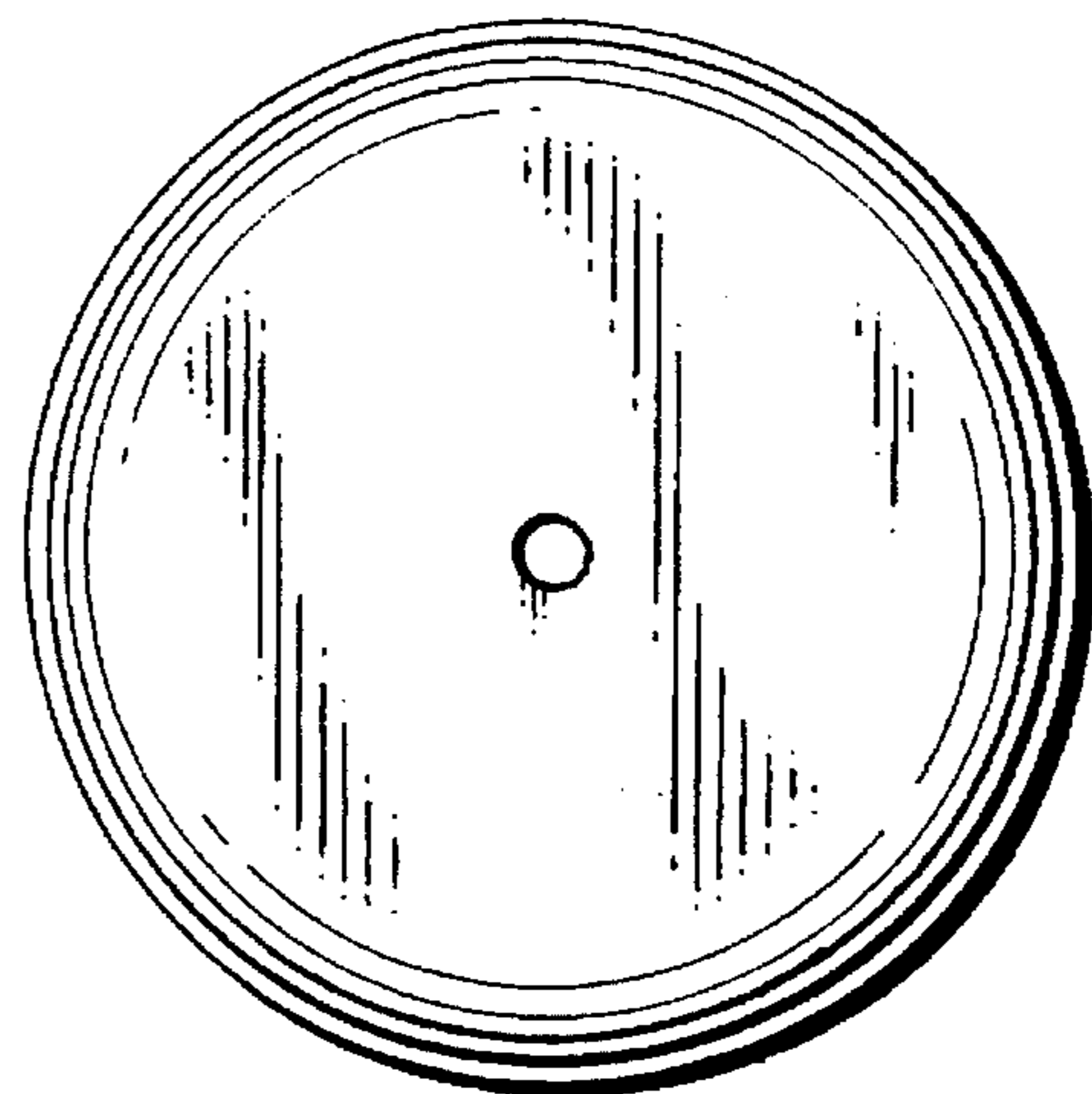


FIG. 14

