



US00D368850S

United States Patent [19]

[11] Patent Number: **Des. 368,850**

Coppedge et al.

[45] Date of Patent: ****Apr. 16, 1996**

[54] **HANGER BRACKET**

3,008,735 11/1961 Van Wijngaarden 248/58 X

[76] Inventors: **Robin L. Coppedge**, Rte. 4, Box 4591;
Bobby G. Shaw, Rte. 4, Box 4485,
both of Grapeland, Tex. 75844

Primary Examiner—A. Hugo Word
Assistant Examiner—Holly Baynham
Attorney, Agent, or Firm—Ronald B. Sefrna

[**] Term: **14 Years**

[57] **CLAIM**

[21] Appl. No.: **19,241**

The ornamental design for a hanger bracket, as shown and described.

[22] Filed: **May 25, 1994**

DESCRIPTION

[52] U.S. Cl. **D8/373; D8/354**

[58] Field of Search 248/27.1, 57-58,
248/61-62, 74.1-74.2, 74.4, 230; D8/349,
354, 373

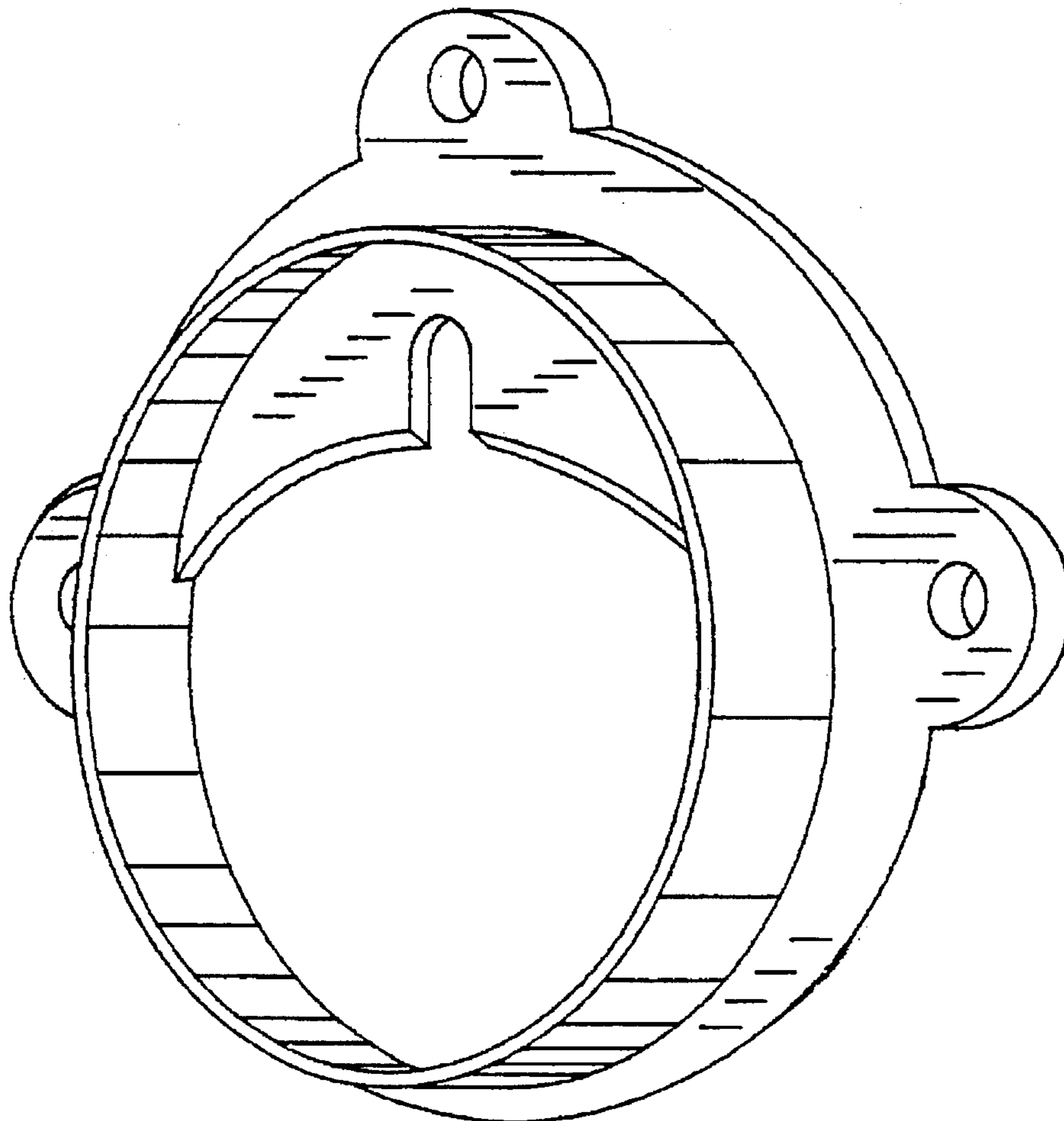
FIG. 1 is an isometric rear view of the hanger bracket of the invention, showing our new and ornamental design;
FIG. 2 is a rear elevation view of the hanger bracket of the invention;
FIG. 3 is a side elevation view of the hanger bracket of the invention with the opposite side being a mirror image;
FIG. 4 is a front elevation view of the hanger bracket of the invention;
FIG. 5 is a top view of the hanger bracket of the invention;
and,
FIG. 6 is a bottom view of the hanger bracket of the invention.

[56] References Cited

U.S. PATENT DOCUMENTS

Re. 15,534	1/1923	Whittington	248/27.1
1,611,512	12/1926	Clemenson	248/27.1 X
1,761,955	6/1930	Zubaty	248/27.1 X
2,005,792	6/1935	Leins	248/27.1 X
2,352,591	6/1944	Wallerstein, Jr.	248/27.1 X
2,464,778	3/1949	Wagstaff	248/27.1
2,813,692	11/1957	Bremer et al.	248/68.1 X

1 Claim, 6 Drawing Sheets



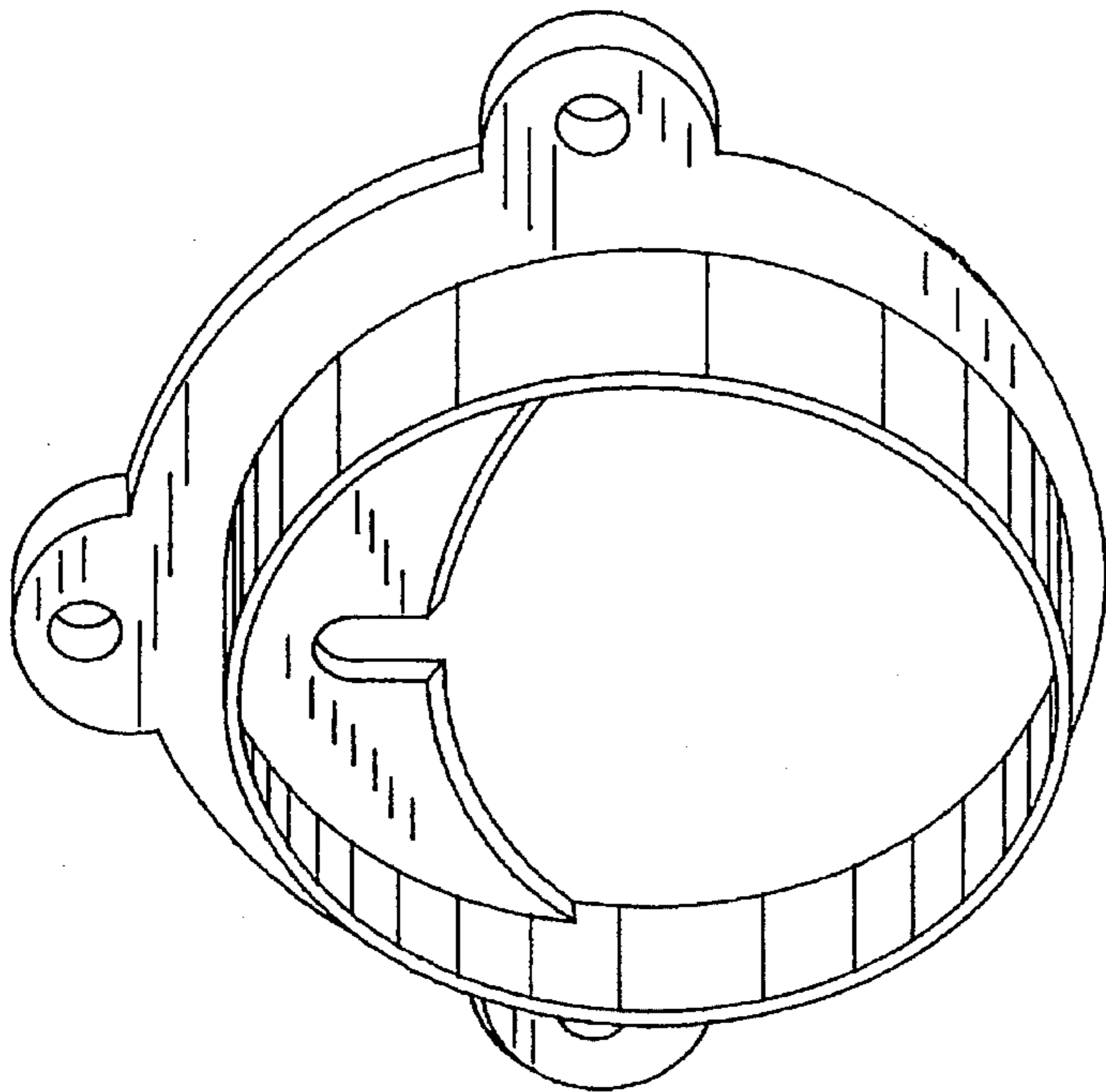


FIGURE 1

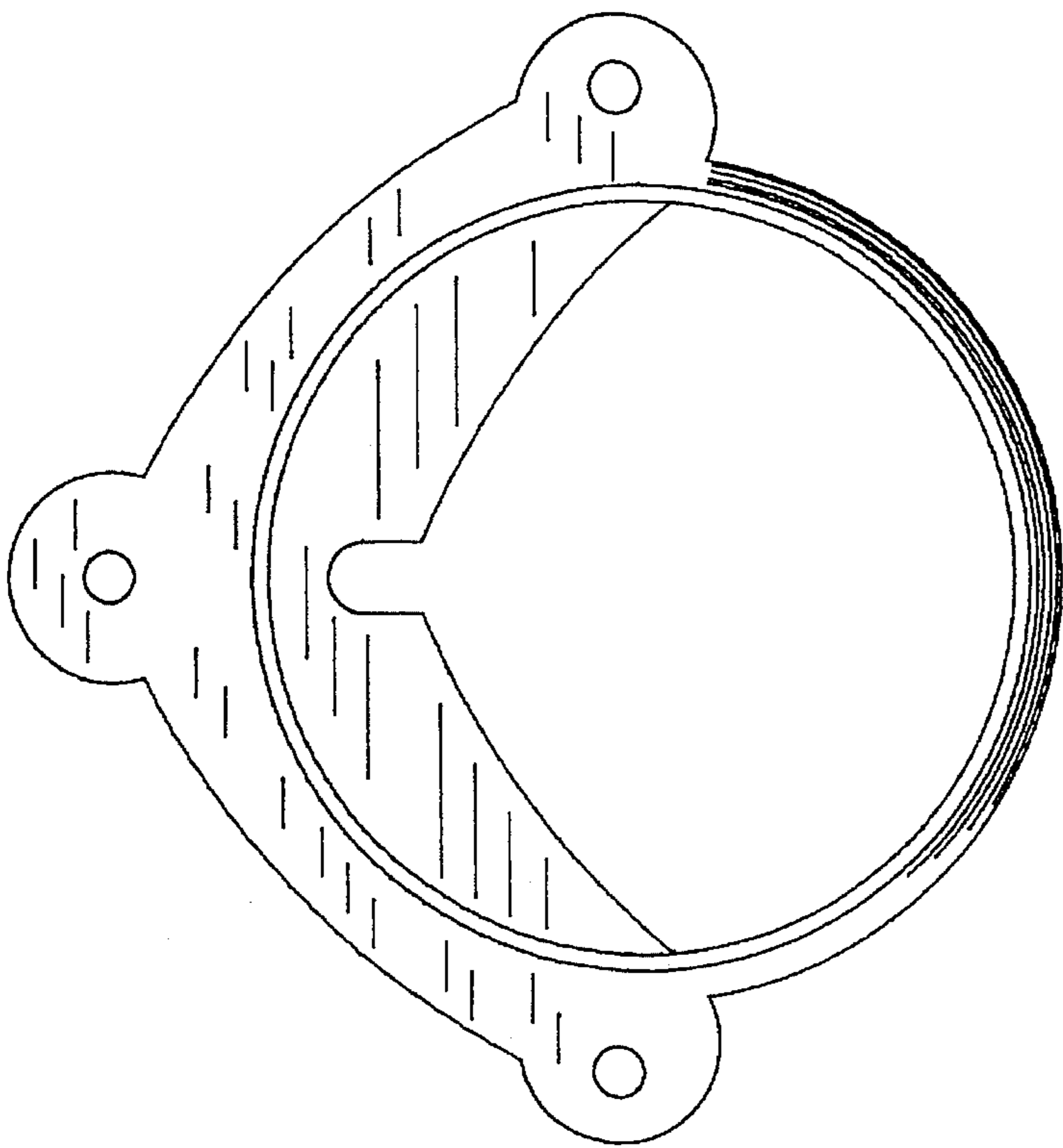


FIGURE 2

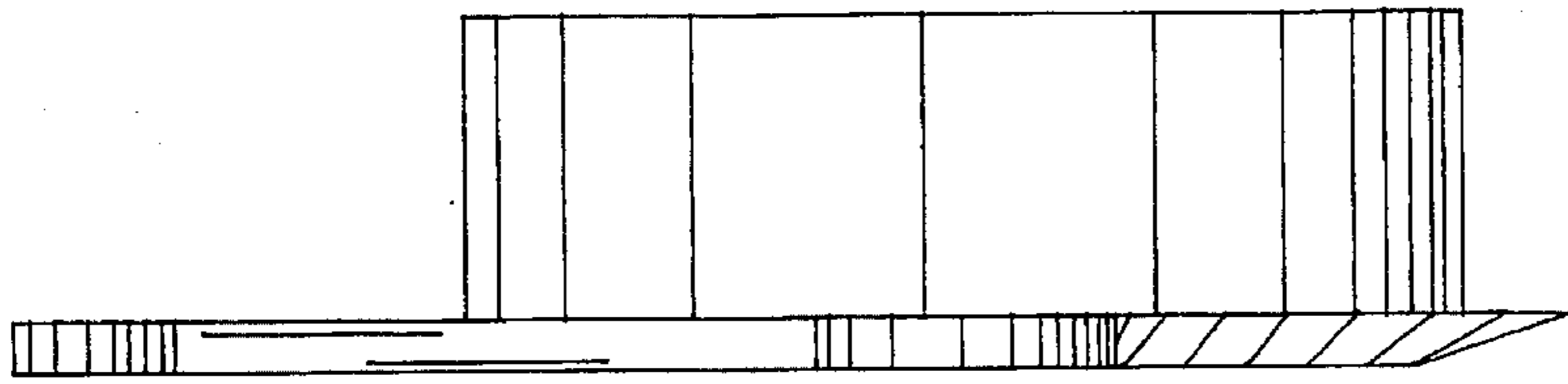


FIGURE 3

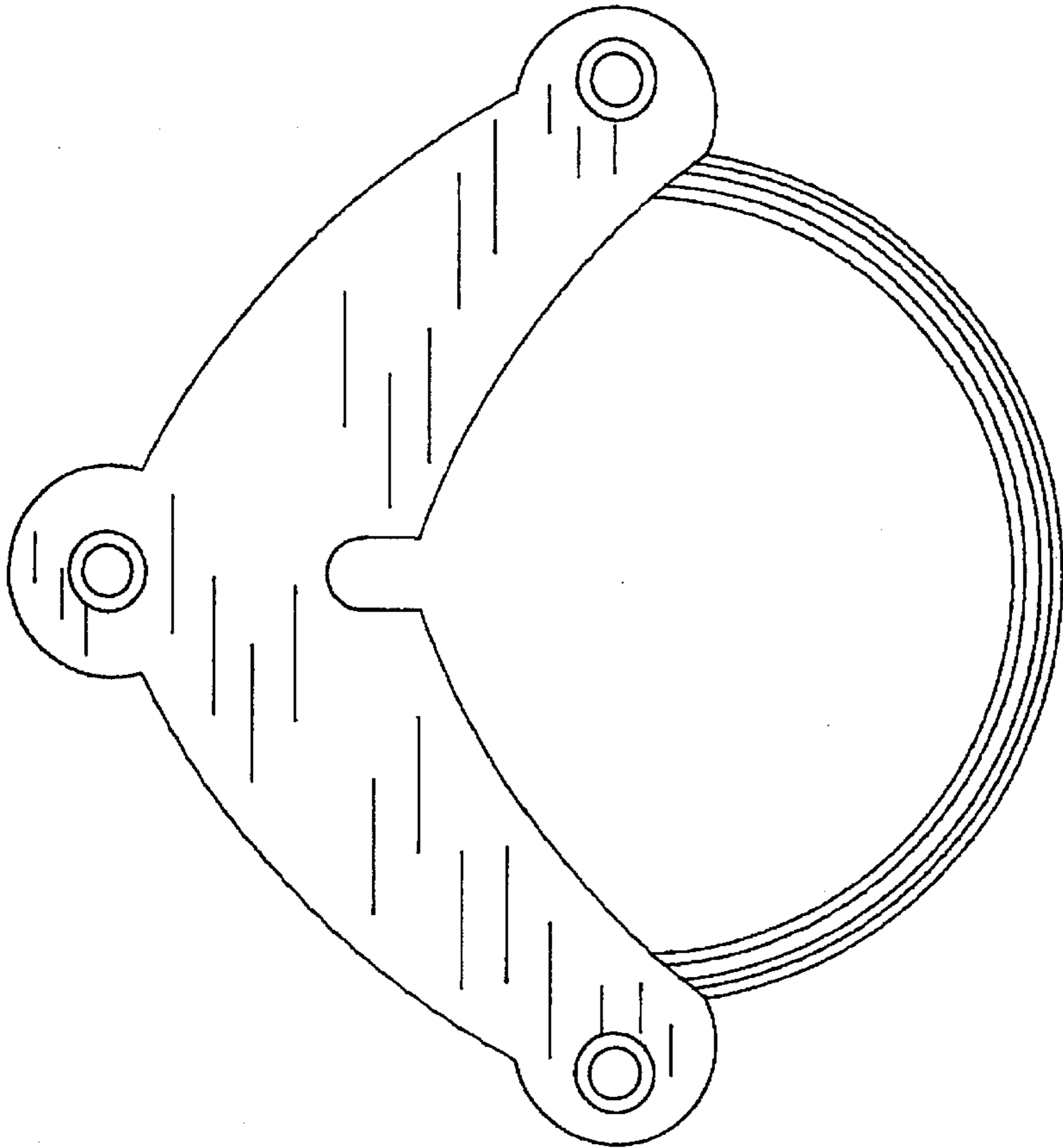


FIGURE 4

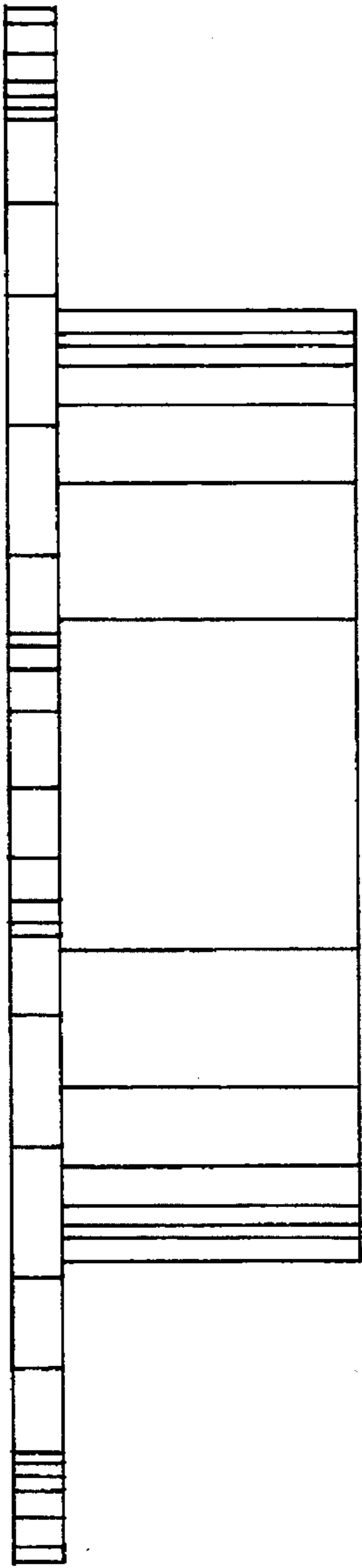


FIGURE 5

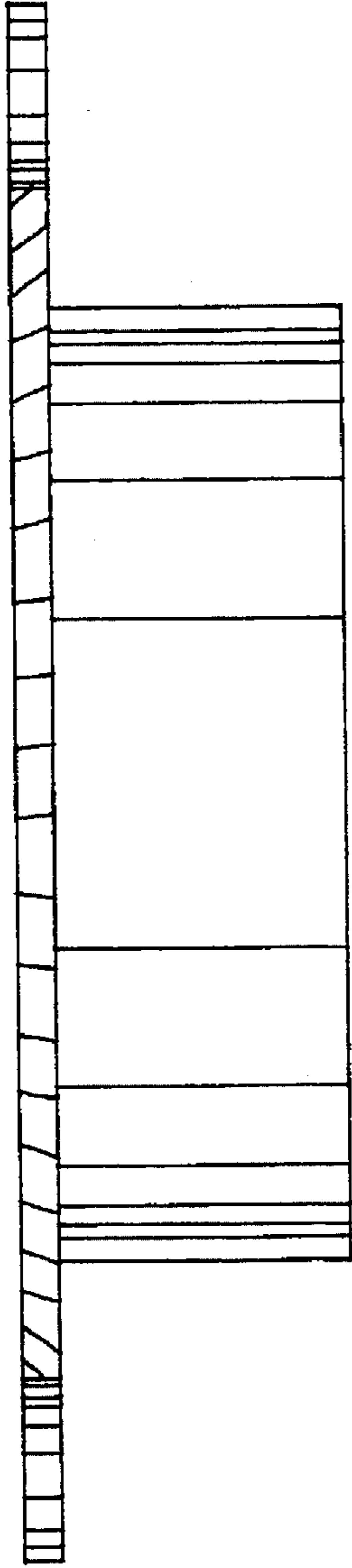


FIGURE 6