



US00D368848S

United States Patent [19] Mulder

[11] Patent Number: **Des. 368,848**
[45] Date of Patent: ****Apr. 16, 1996**

[54] CURTAIN ROD SUPPORT

[76] Inventor: **Scott Mulder**, 1504 Pleasant Dr.,
Cherry Hill, N.J. 08003

[**] Term: **14 Years**

[21] Appl. No.: **19,911**

[22] Filed: **Mar. 14, 1994**

[52] U.S. Cl. **D8/363**

[58] Field of Search D8/363, 380, 378,
D8/368-369; D6/580; 248/251-254, 266-268,
262, 297.2, 300-301, 304, 215

[56] References Cited

U.S. PATENT DOCUMENTS

D. 70,832	8/1926	Dlouhy	D8/363	X
D. 72,258	3/1927	Hofmann	D8/378	
D. 73,131	3/1927	Hofmann	D8/363	X
D. 74,964	4/1928	Crawford	D8/378	
D. 136,689	11/1943	Teninty	D8/380	
3,595,511	7/1971	Summerville, Jr.	248/267	X

FOREIGN PATENT DOCUMENTS

2459197	6/1976	Germany	248/251	
---------	--------	---------	-------	---------	--

OTHER PUBLICATIONS

Eclipse Light Catalog, 1915, p. 138, finial, item No. 2C10 at right side of page.

Primary Examiner—A. Hugo Word
Assistant Examiner—Holly Baynham
Attorney, Agent, or Firm—Robert F. Zielinski

[57] CLAIM

The ornamental design for curtain rod supports, shown and described.

DESCRIPTION

FIG. 1 is a side elevational view of the curtain rod support showing my new design with the opposite side being a mirror image thereof;

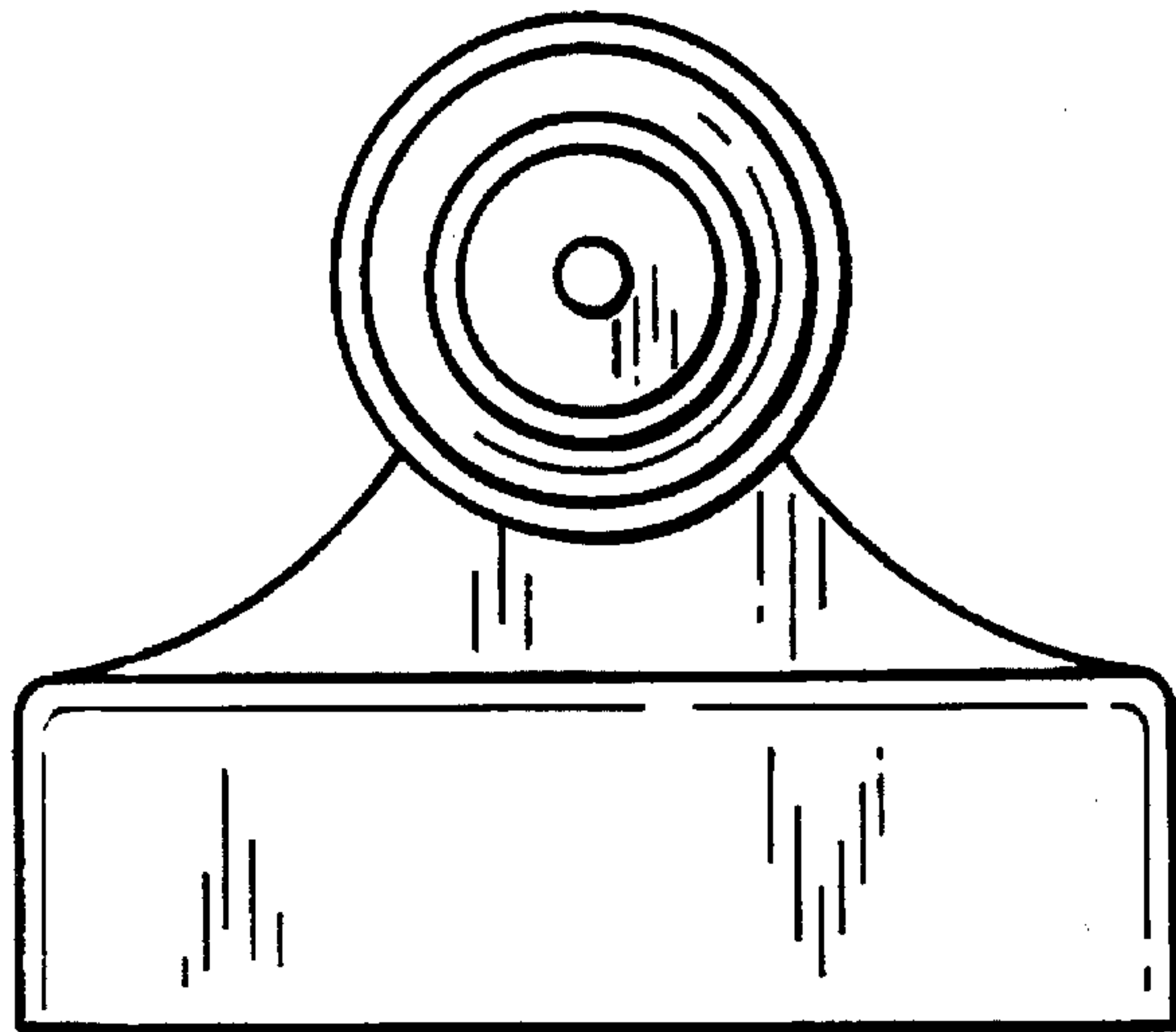
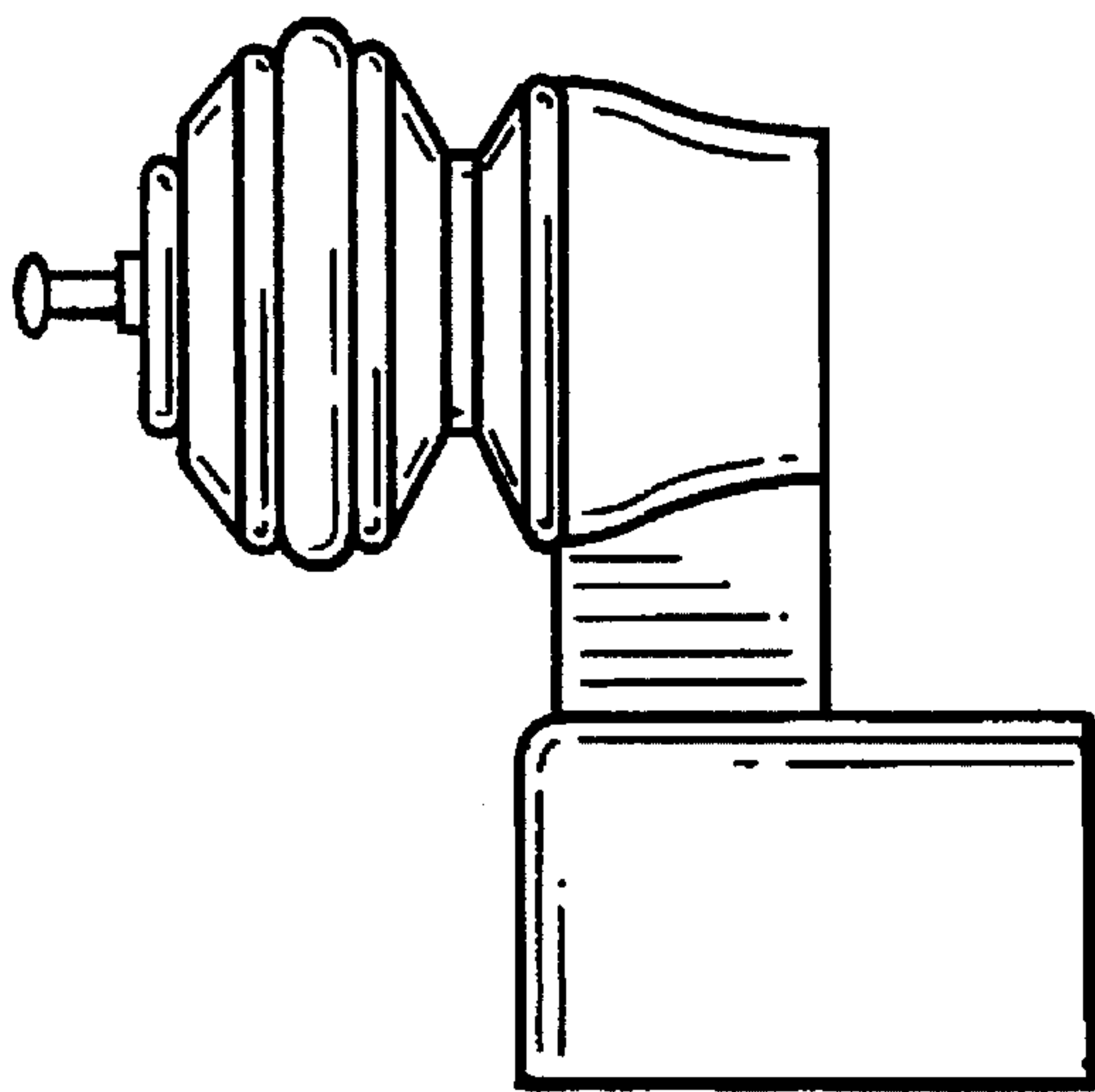
FIG. 2 is a top plan view of the curtain rod support shown in FIG. 1; and

FIG. 3 is a front elevational view curtain rod support shown in FIGS. 1 and 2; and,

FIG. 4 is a rear elevational view of the curtain rod support shown in FIGS. 1, 2 and 3.

The undisclosed rear elevation view is unornamented.

1 Claim, 1 Drawing Sheet



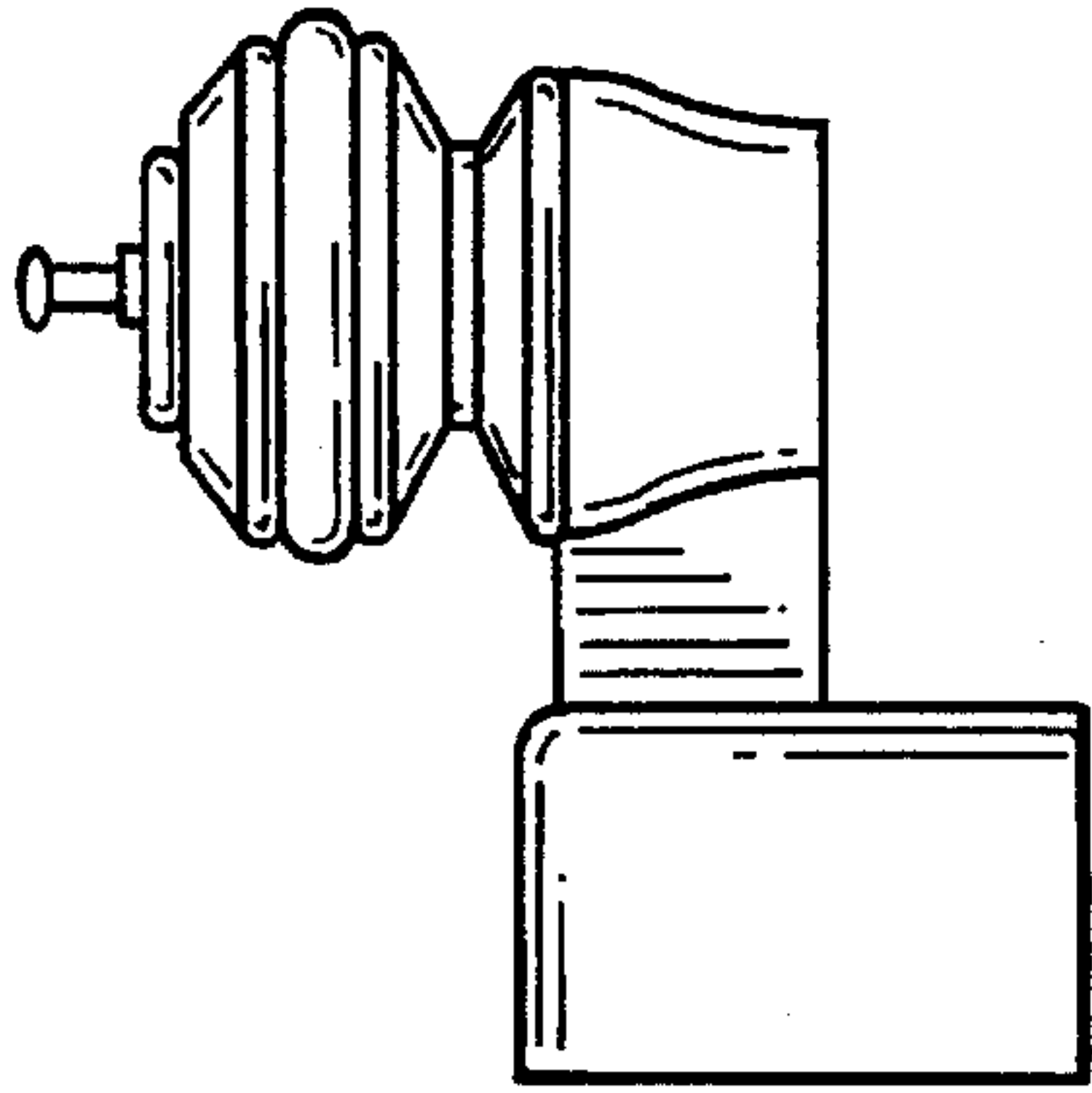


FIG. 1

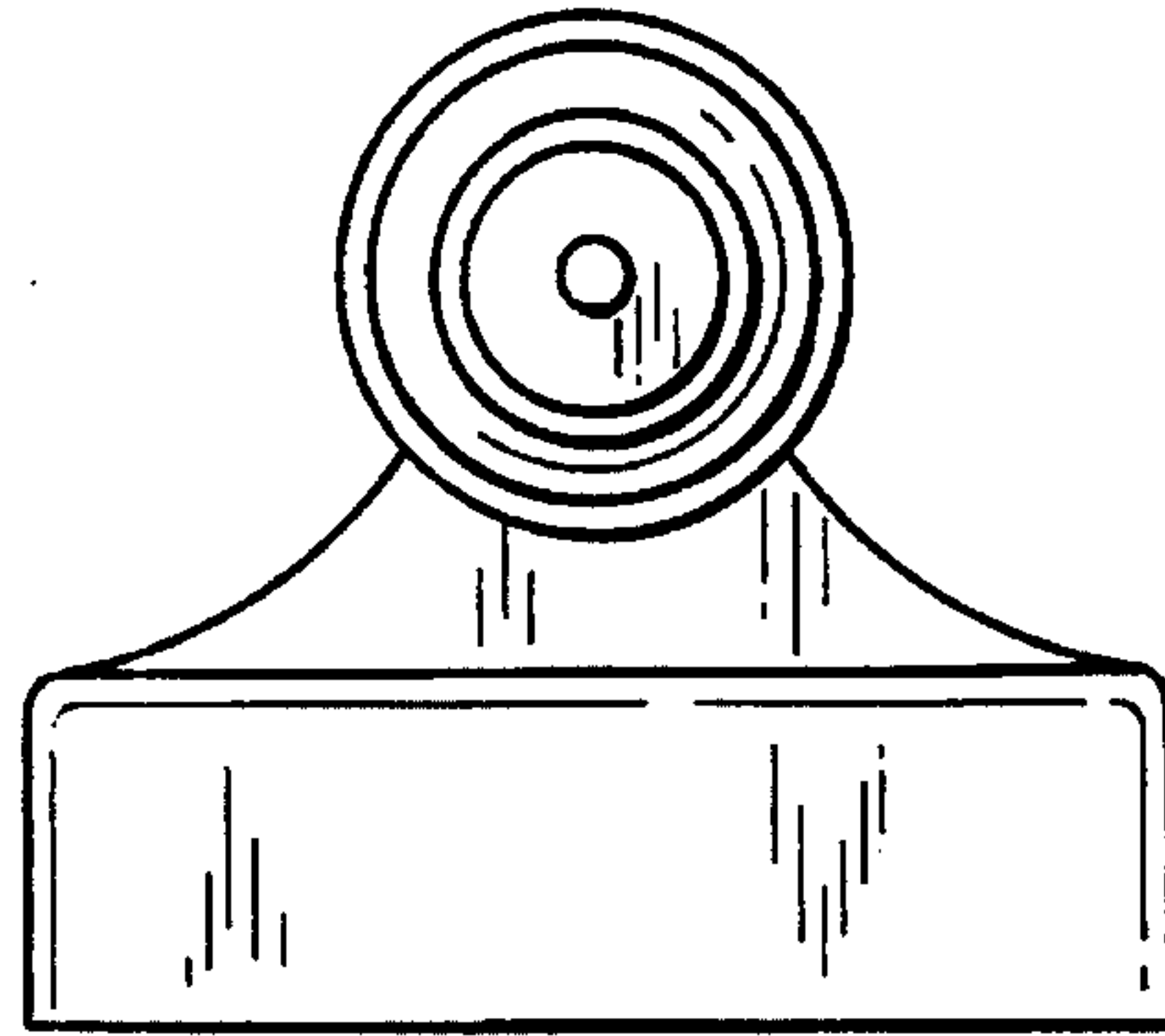


FIG. 3

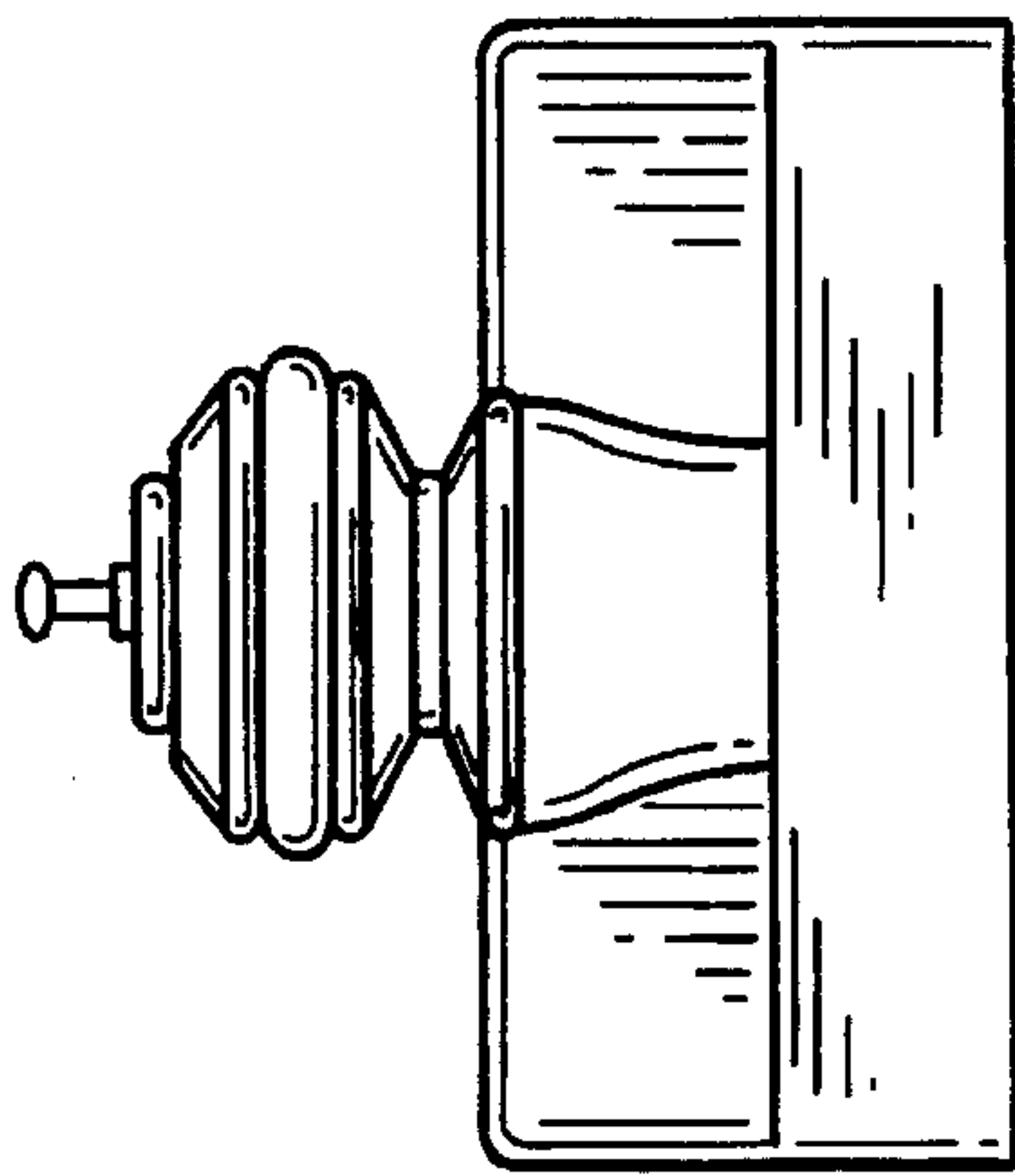


FIG. 2

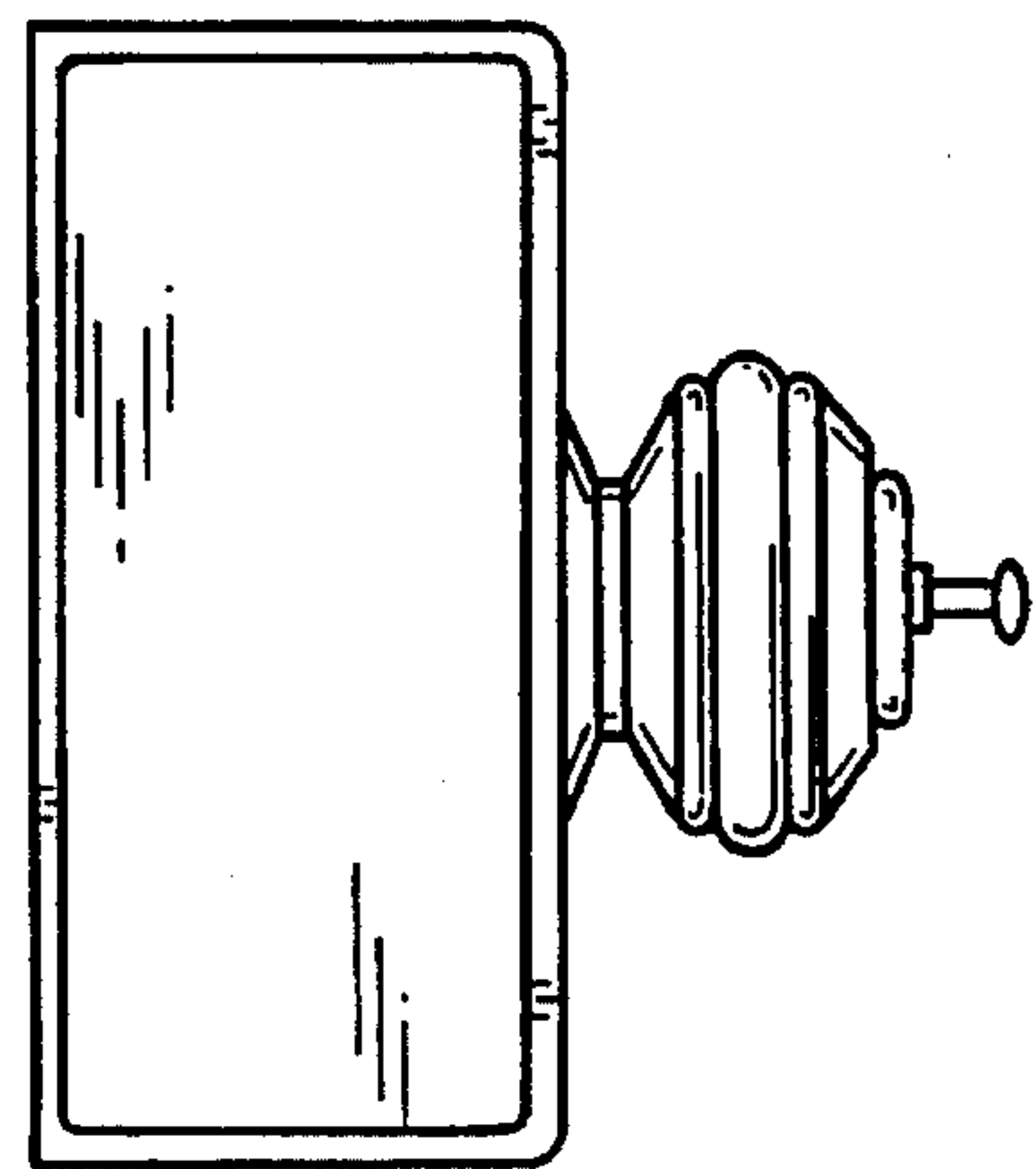


FIG. 4