



US00D368847S

# United States Patent [19]

Davis

[11] Patent Number: Des. 368,847

[45] Date of Patent: \*\*Apr. 16, 1996

[54] CORD REEL

3,290,453 12/1966 Jenson ..... 242/400.1 X

[76] Inventor: William D. Davis, 100 W. Main, Utica, Minn. 55979

Primary Examiner—A. Hugo Word  
Assistant Examiner—Holly Baynham

[\*\*] Term: 14 Years

[57] CLAIM

[21] Appl. No.: 38,882

The ornamental design for a cord reel, as shown and described.

[22] Filed: May 15, 1995

### DESCRIPTION

[52] U.S. Cl. .... D8/359

[58] Field of Search ..... D8/358, 359; 242/400, 242/400.1, 405.1, 406

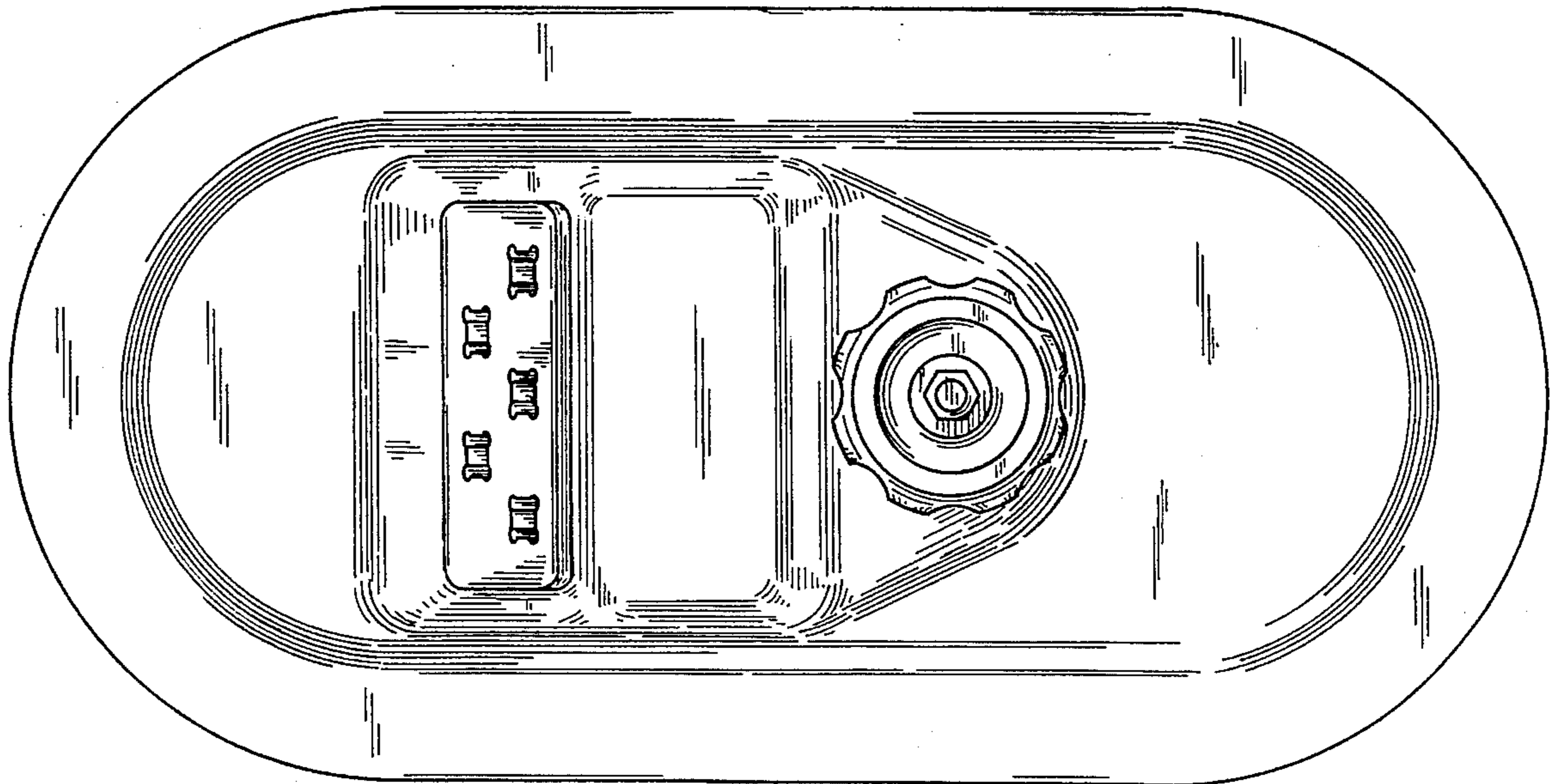
FIG. 1 is a front elevation view of my cord reel;  
FIG. 2 is a rear elevation view thereof;  
FIG. 3 is a top plan view thereof;  
FIG. 4 is a bottom plan view thereof;  
FIG. 5 is a right side view thereof; and,  
FIG. 6 is a left side view thereof.

### [56] References Cited

#### U.S. PATENT DOCUMENTS

- D. 195,463 6/1963 Tamarin ..... D8/358 X
- D. 314,665 2/1991 Wu et al. .... D8/358 X

1 Claim, 6 Drawing Sheets



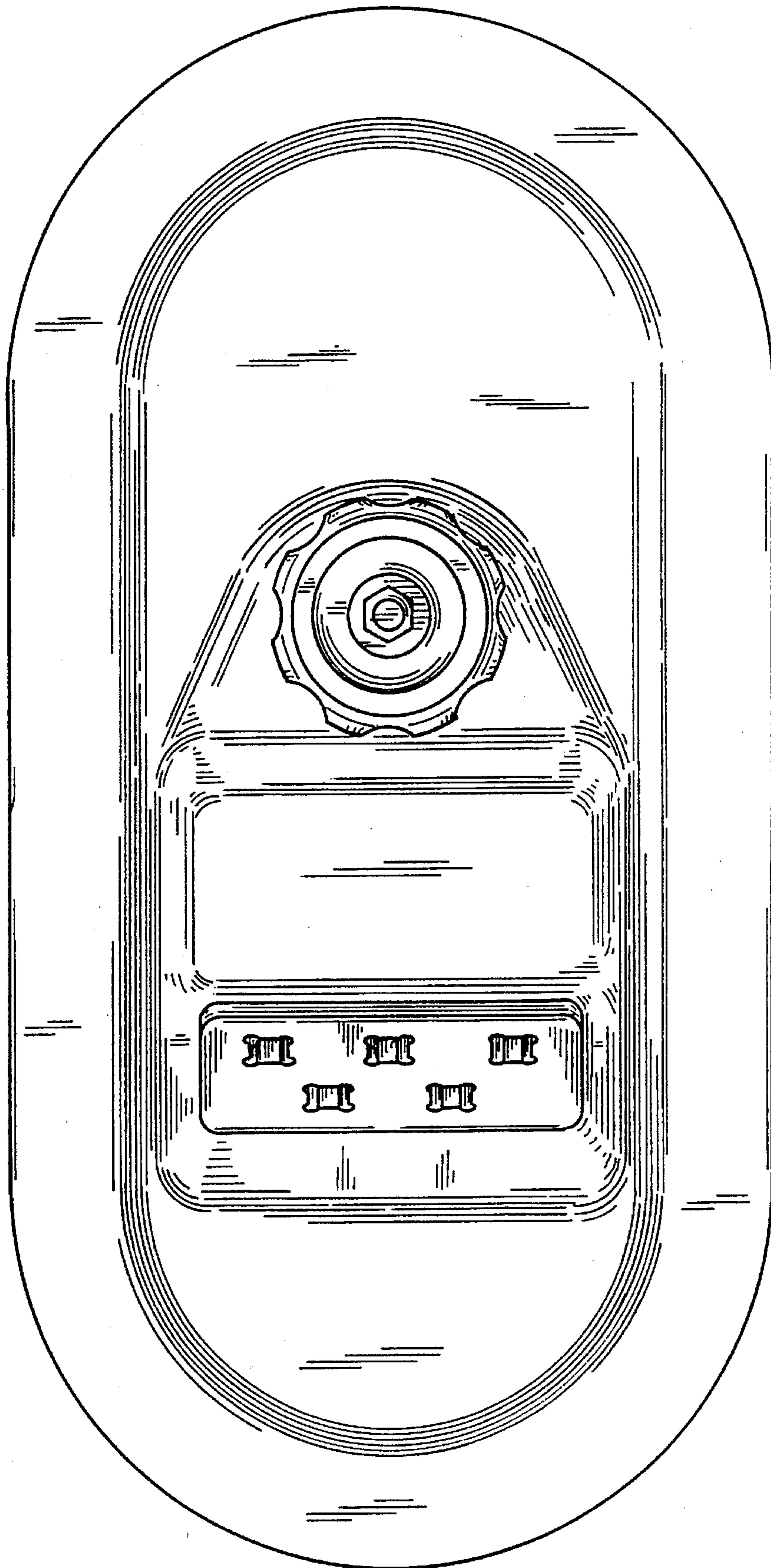


FIG. 1

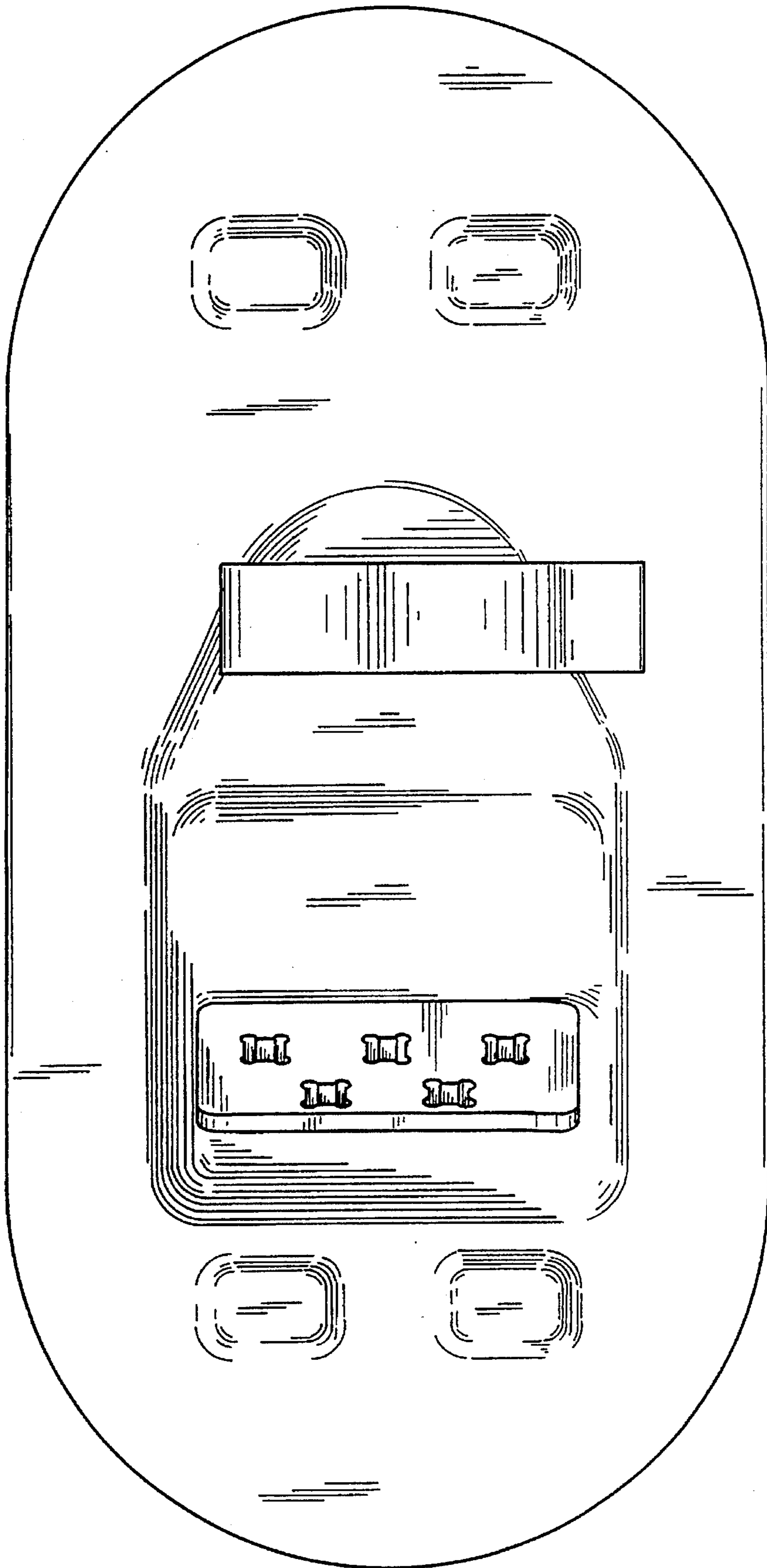


FIG. 2

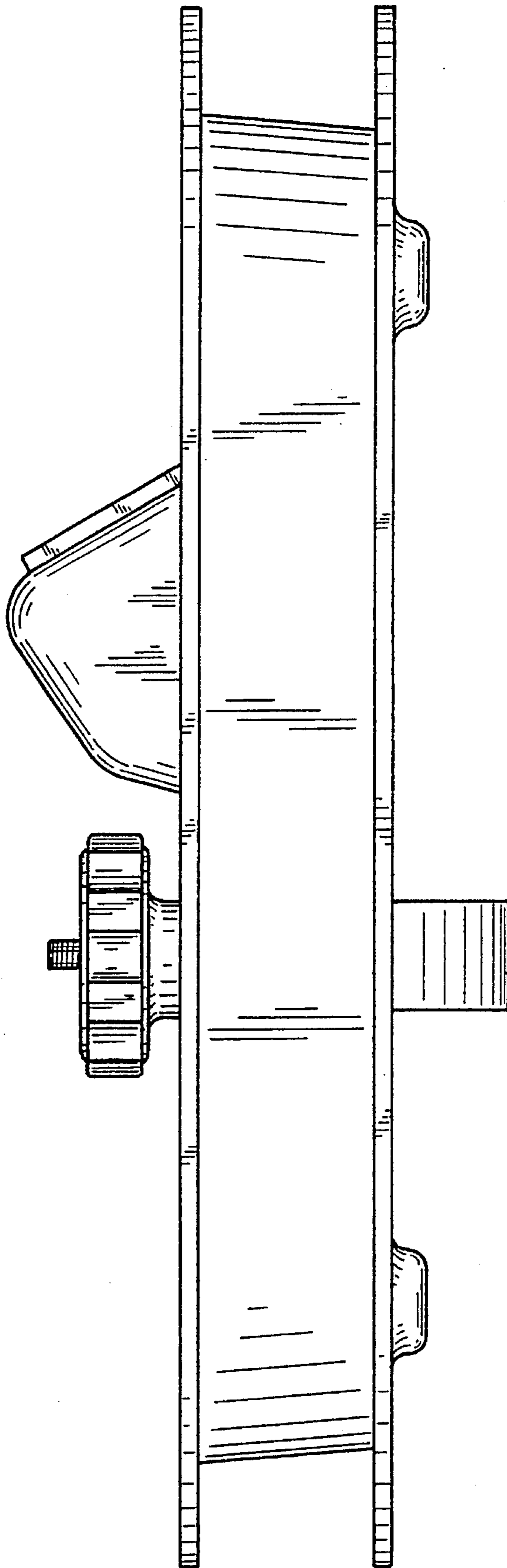


FIG. 3

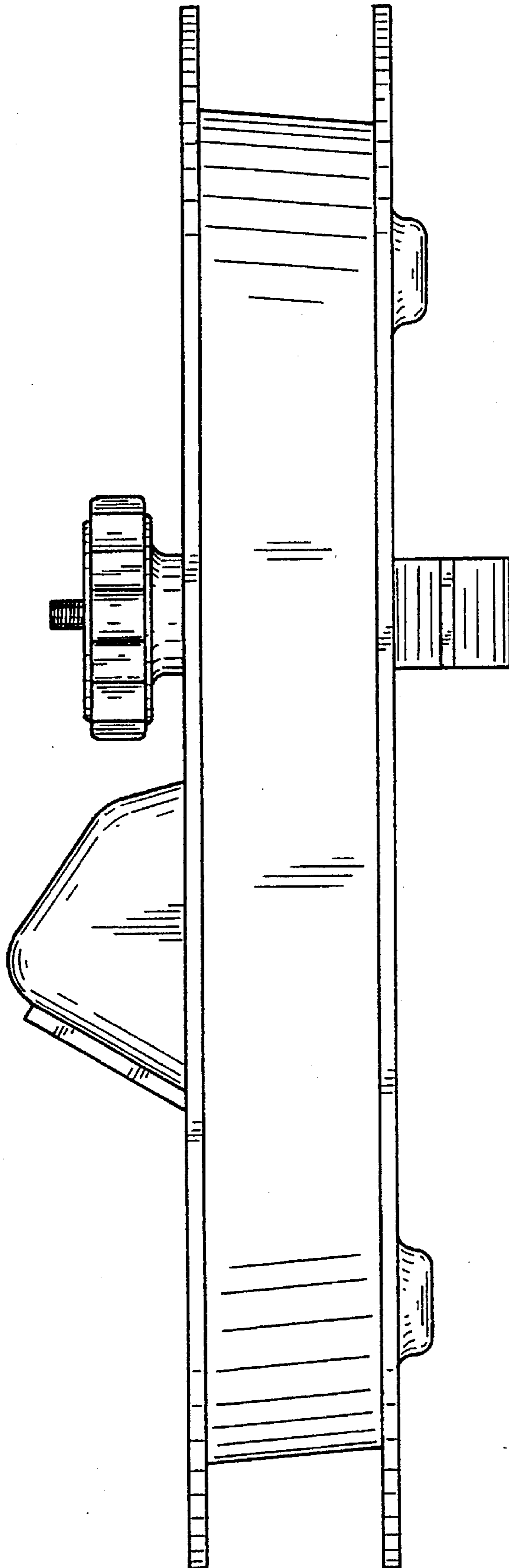
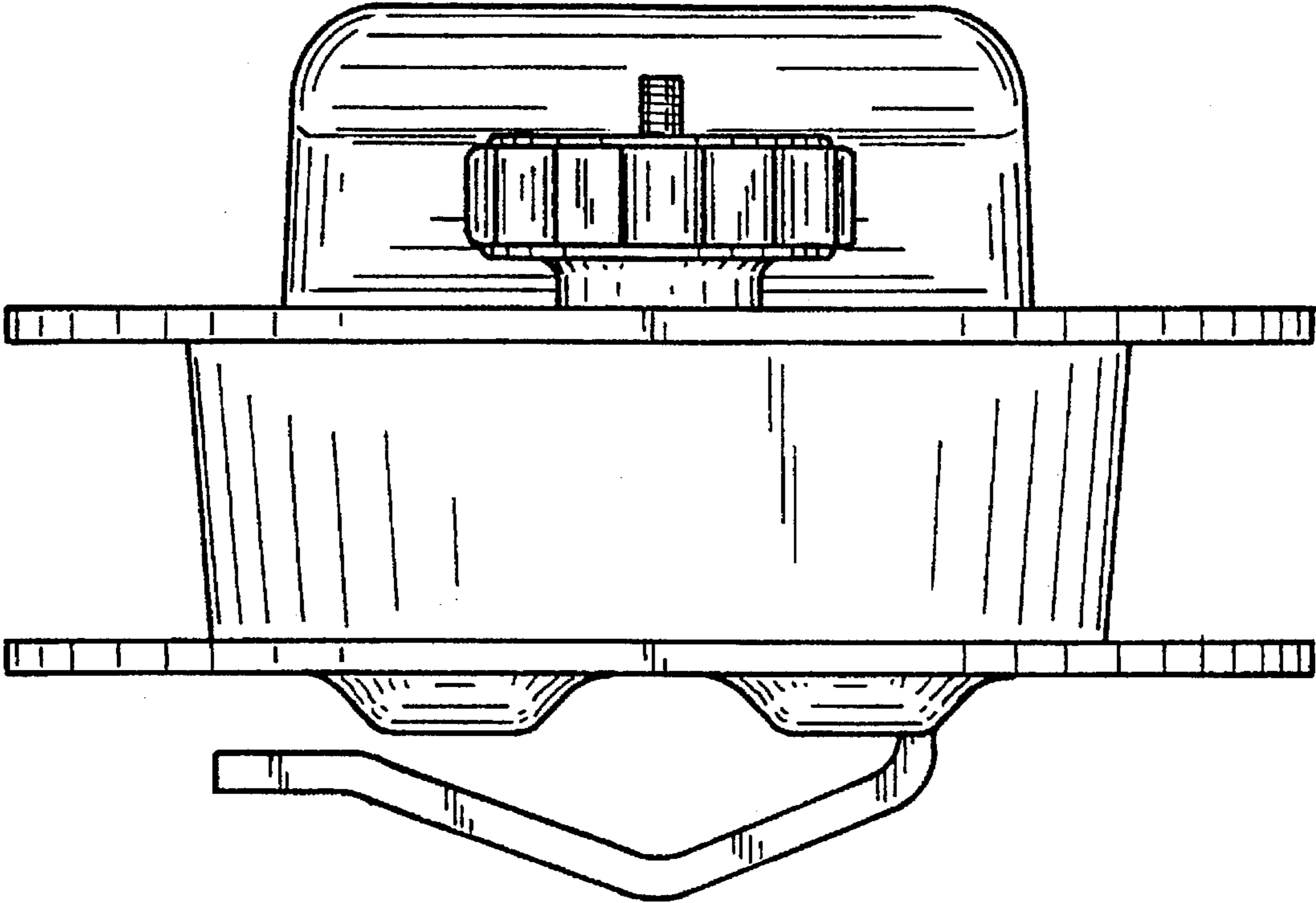
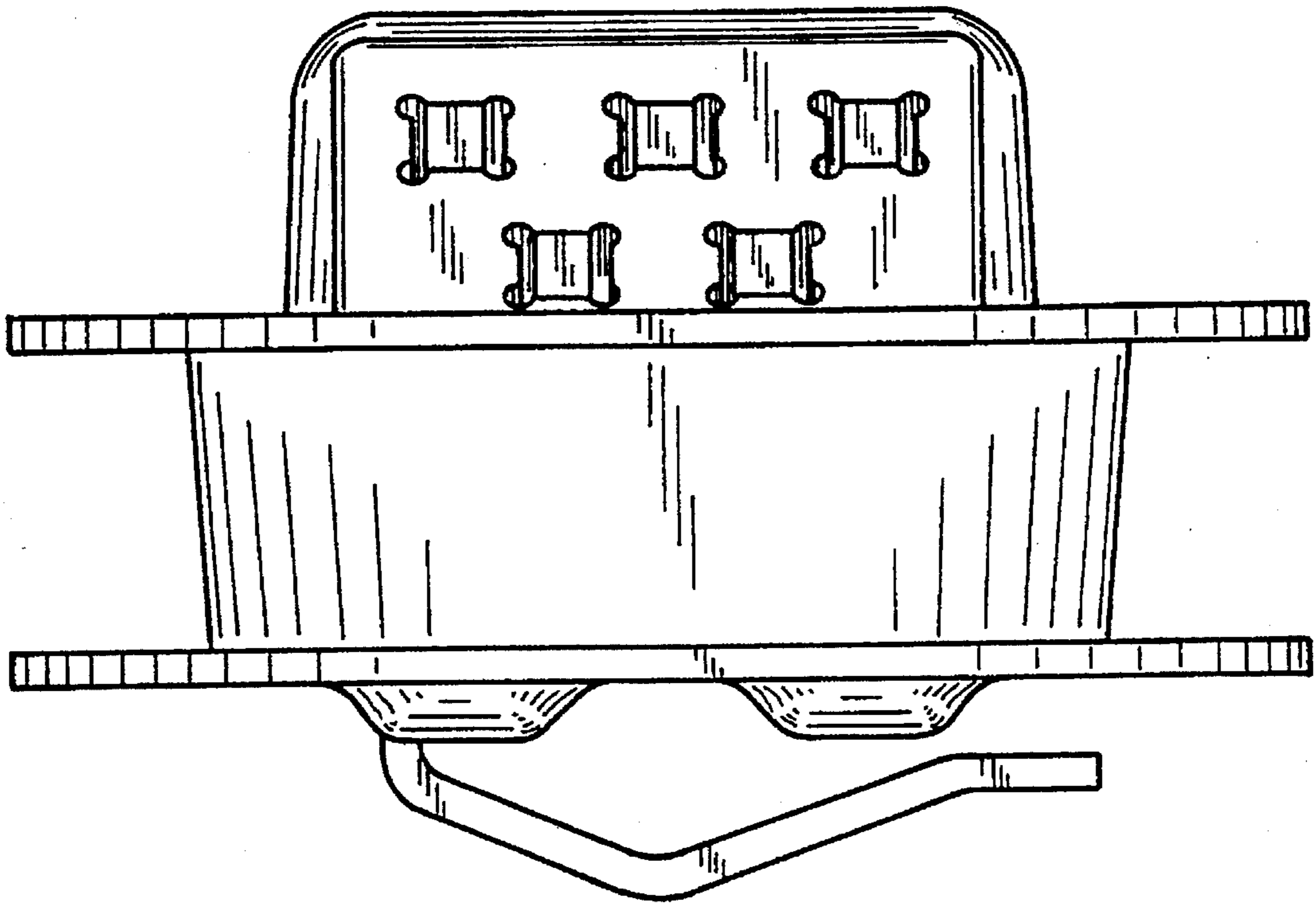


FIG. 4



*FIG. 5*



*FIG. 6*