



US00D368845S

# United States Patent [19] Widen

[11] **Patent Number: Des. 368,845**  
[45] **Date of Patent: \*\*Apr. 16, 1996**

[54] **KEY**  
[75] **Inventor: Bo Widen, Torshalla, Sweden**  
[73] **Assignee: Winloc AG, Zug, Switzerland**  
[\*\*] **Term: 14 Years**  
[21] **Appl. No.: 25,366**  
[22] **Filed: Jun. 30, 1994**  
[30] **Foreign Application Priority Data**  
Dec. 30, 1993 [SE] Sweden ..... 93-2930  
[52] **U.S. Cl. .... D8/347**  
[58] **Field of Search ..... D8/347-348; 70/393, 70/402, 405-406, 408**

3,349,589 10/1967 Fricke ..... 70/395

### OTHER PUBLICATIONS

Ico Unican Key Catalogue No. 60R (1984), p. S10, Yamaha Key (lower left corner of page).  
Ico Unican Key Catalogue No. 60R (1984), p. 119, Square "Big Head" Key (lower right corner of page).

*Primary Examiner*—Brian N. Vinson  
*Attorney, Agent, or Firm*—Sughrue, Mion, Zinn, Macpeak & Seas

### [57] CLAIM

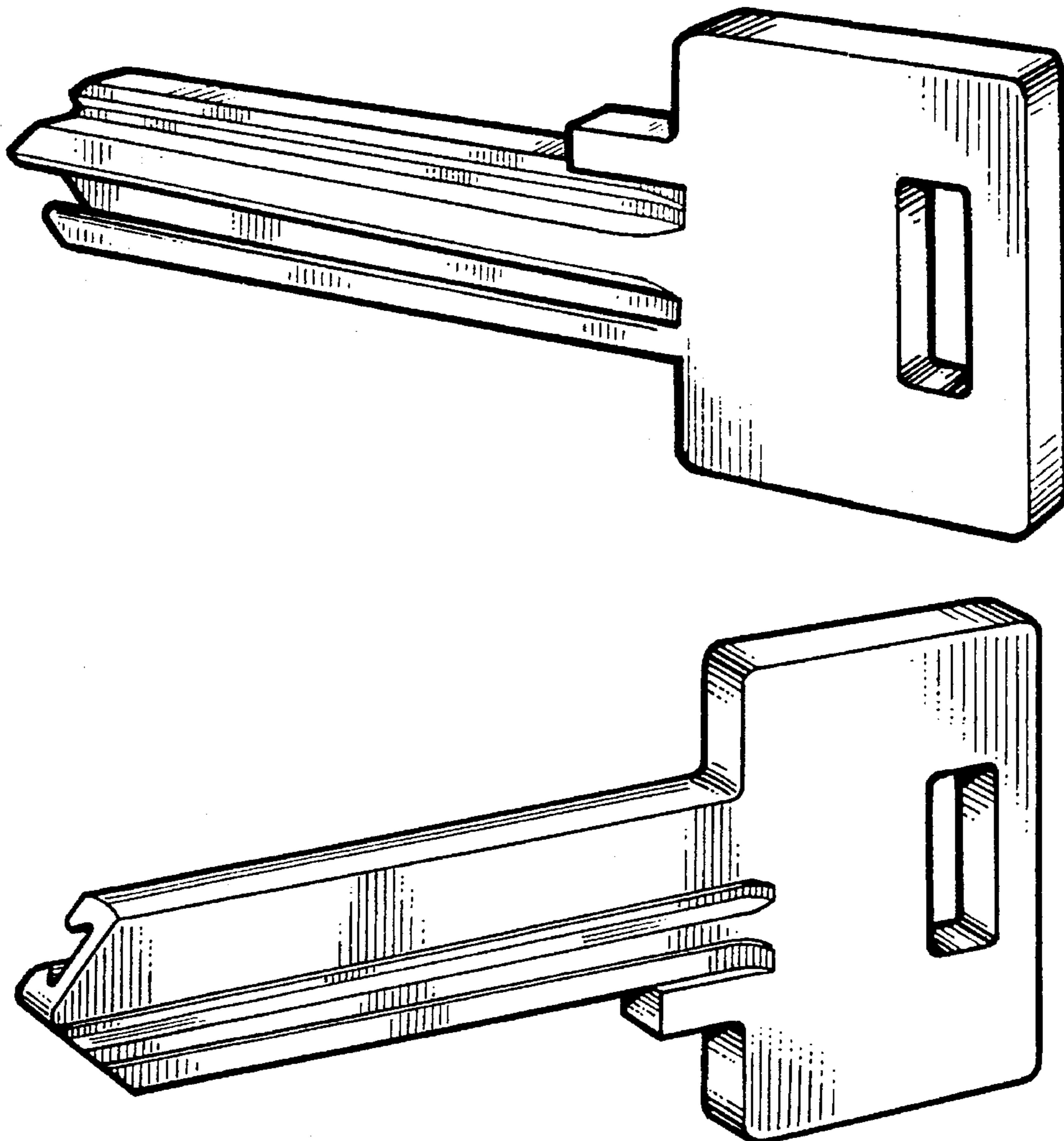
The ornamental design for a key, as shown.

### DESCRIPTION

FIG. 1 is a perspective view of the front side, top edge and right end of a key showing my new design; FIG. 2 is a left end elevational view thereof; and, FIG. 3 is a perspective view of the rear side, bottom edge and left end thereof.

[56] **References Cited**  
**U.S. PATENT DOCUMENTS**  
D. 278,880 5/1985 Widen ..... D8/347  
D. 301,831 6/1989 McCaa ..... D8/347  
D. 307,863 5/1990 Boag ..... D8/347

1 Claim, 1 Drawing Sheet



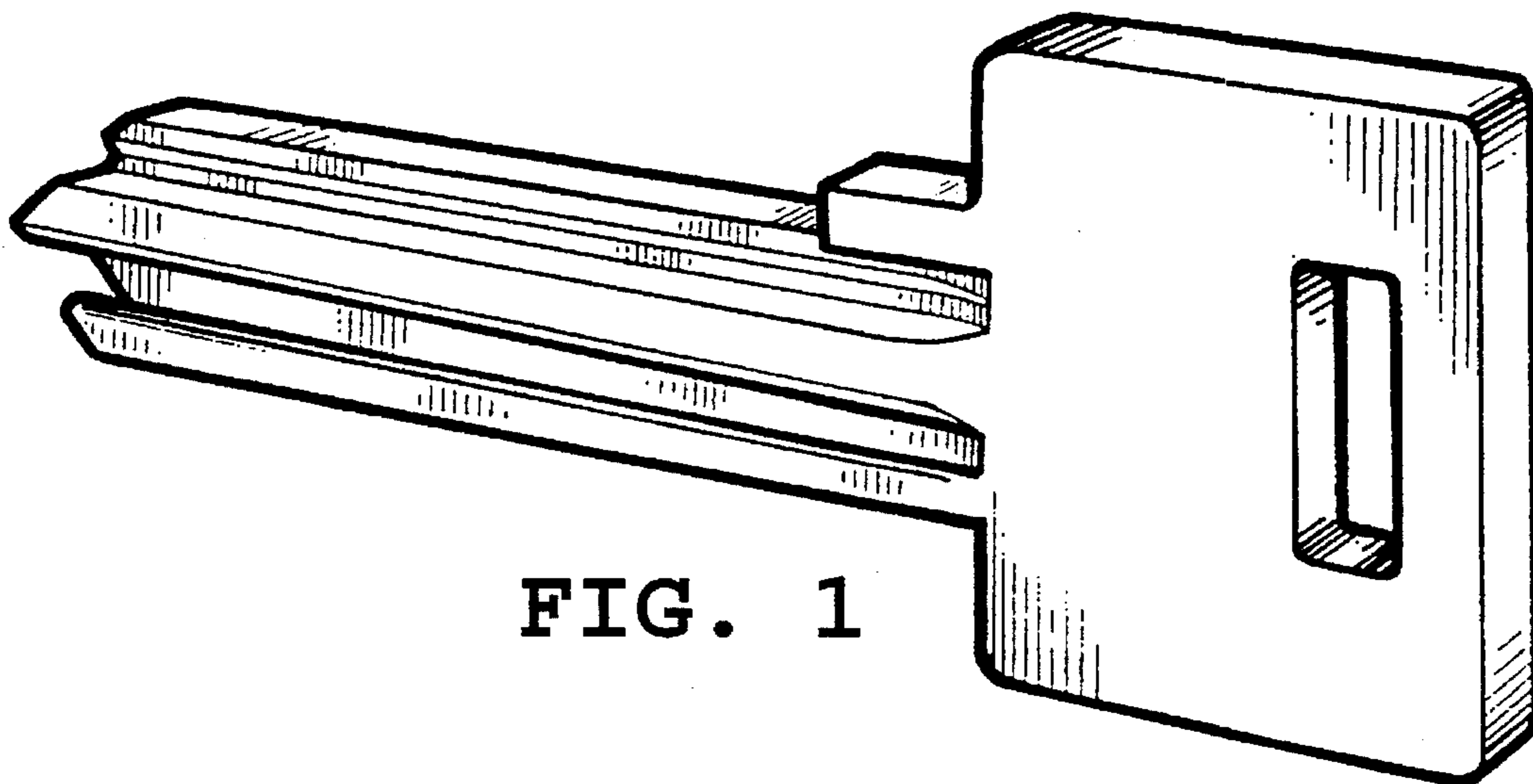


FIG. 1



FIG. 2

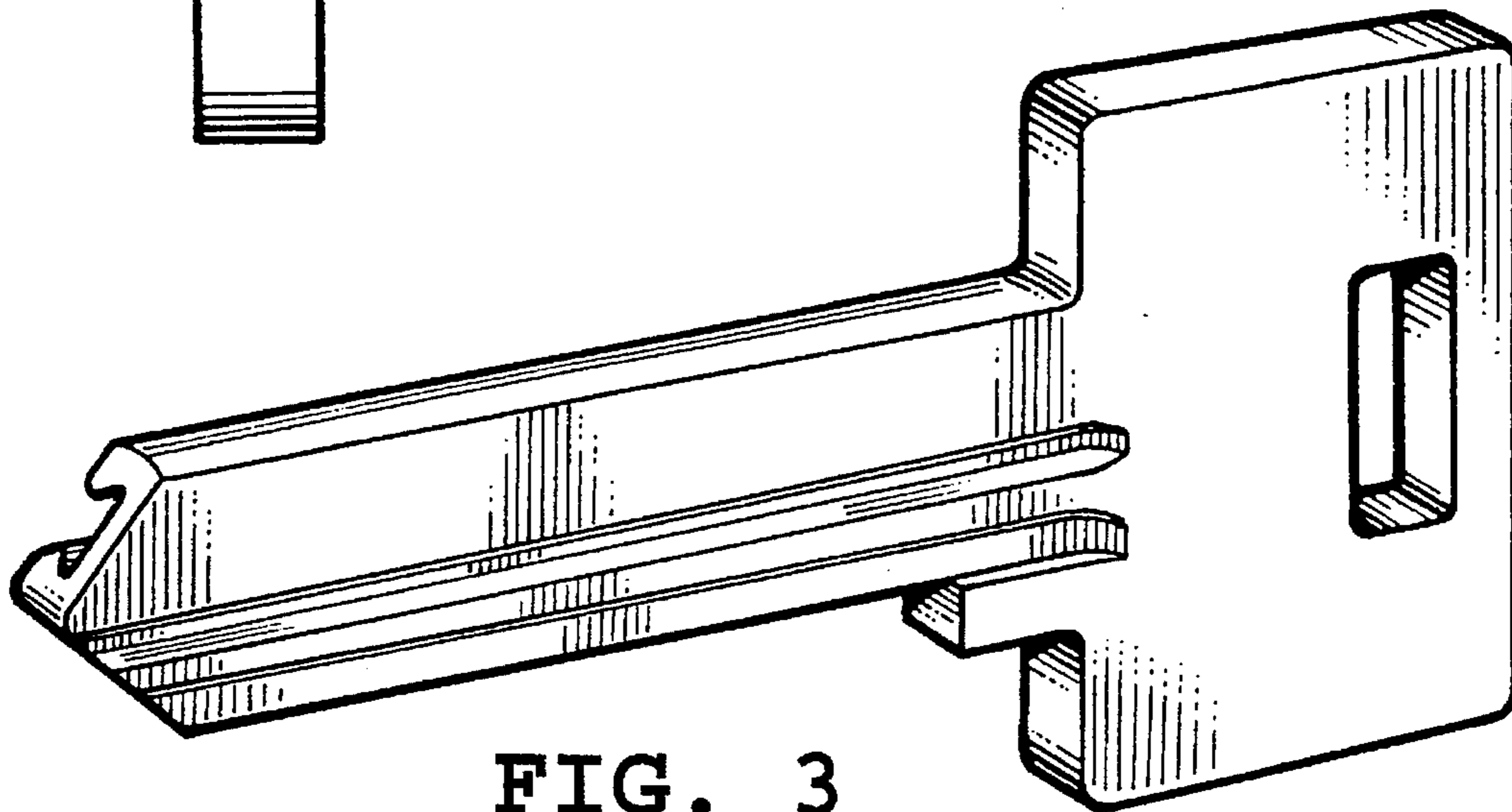


FIG. 3