



US00D368844S

# United States Patent [19]

Wingfield et al.

[11] Patent Number: Des. 368,844

[45] Date of Patent: \*\*Apr. 16, 1996

## [54] KEYLESS DOOR LOCK

[75] Inventors: Andy Q. Wingfield; James L. Thomas, both of Irving, Tex.

[73] Assignee: JWT Corporation, Carrollton, Tex.

[\*\*] Term: 14 Years

[21] Appl. No.: 21,715

[22] Filed: Apr. 22, 1994

[52] U.S. Cl. .... D8/331

[58] Field of Search ..... D8/330-331, 339, D8/342, 344-345, 346; 292/262, 268, 288, 289, 292, 295, 300

## [56] References Cited

### U.S. PATENT DOCUMENTS

D. 127,610	6/1941	Krumsiek et al. ....	D8/346 X
D. 343,565	1/1994	Turner .....	D8/331
2,442,733	6/1948	Schultz .....	292/268
4,408,789	10/1983	Miller .....	292/268
5,193,866	3/1993	Driskill et al. ....	292/292

Primary Examiner—Brian N. Vinson

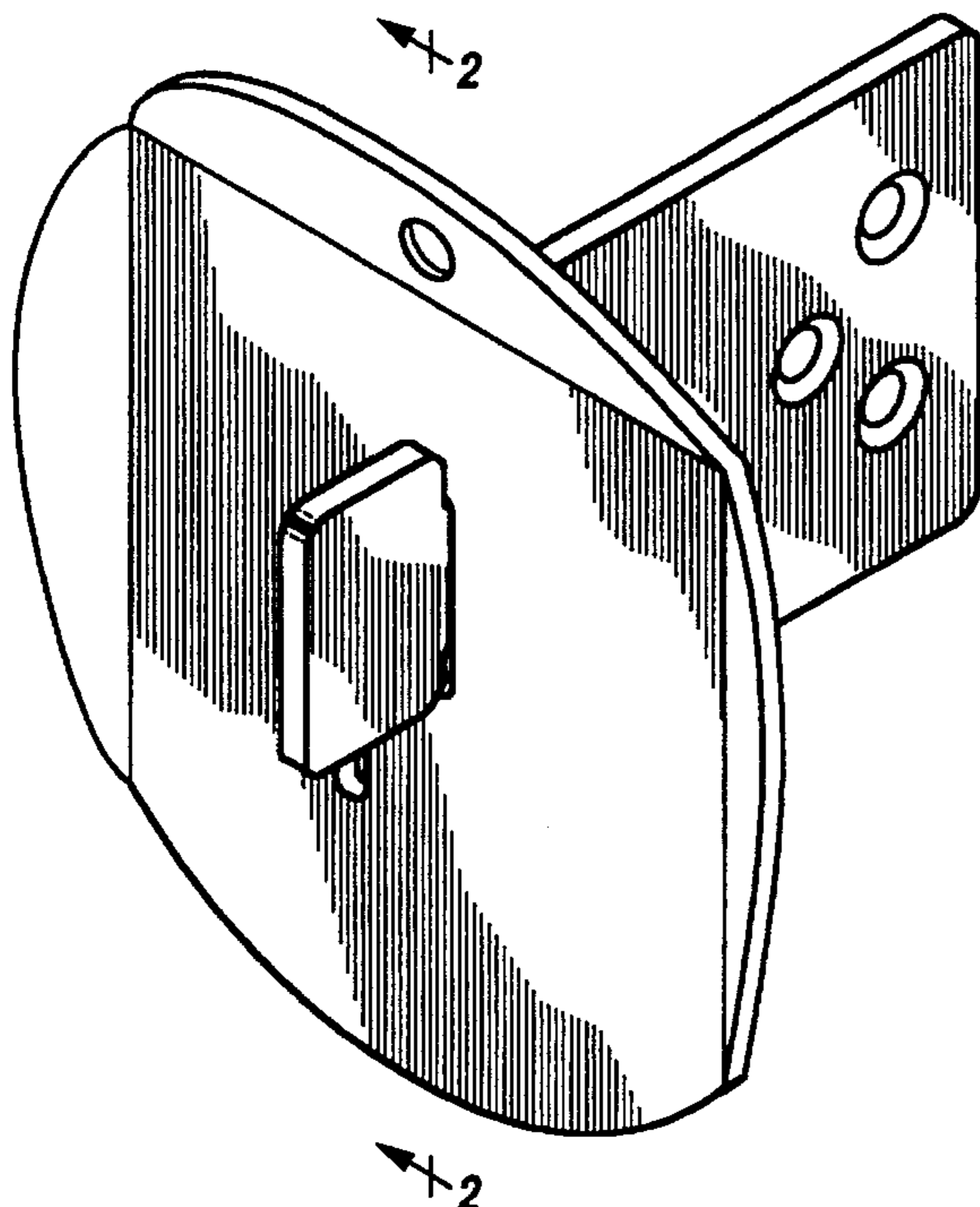
Attorney, Agent, or Firm—W. Thomas Timmons; Timmons & Kelly

## [57] CLAIM

The ornamental design for a keyless door lock, as shown and described.

## DESCRIPTION

FIG. 1 is a top, front, and right side perspective view of a



keyless door lock showing our new design;

FIG. 2 is a vertical cross-sectional view thereof, taken along line 14—14 of FIG. 13;

FIG. 3 is right side elevational view of the base plate portion thereof;

FIG. 4 is a left side elevational view of the base plate portion thereof;

FIG. 5 is a front elevational view of the base plate portion thereof;

FIG. 6 is a rear elevational view of the base plate portion thereof;

FIG. 7 is a top plan view of the base plate portion thereof, the bottom being identical in appearance;

FIG. 8 is a front elevational view of the stop plate portion thereof;

FIG. 9 is a top plan view of the stop plate portion thereof;

FIG. 10 is a bottom plan view of the stop plate portion thereof;

FIG. 11 is a left side elevational view of the stop plate portion thereof;

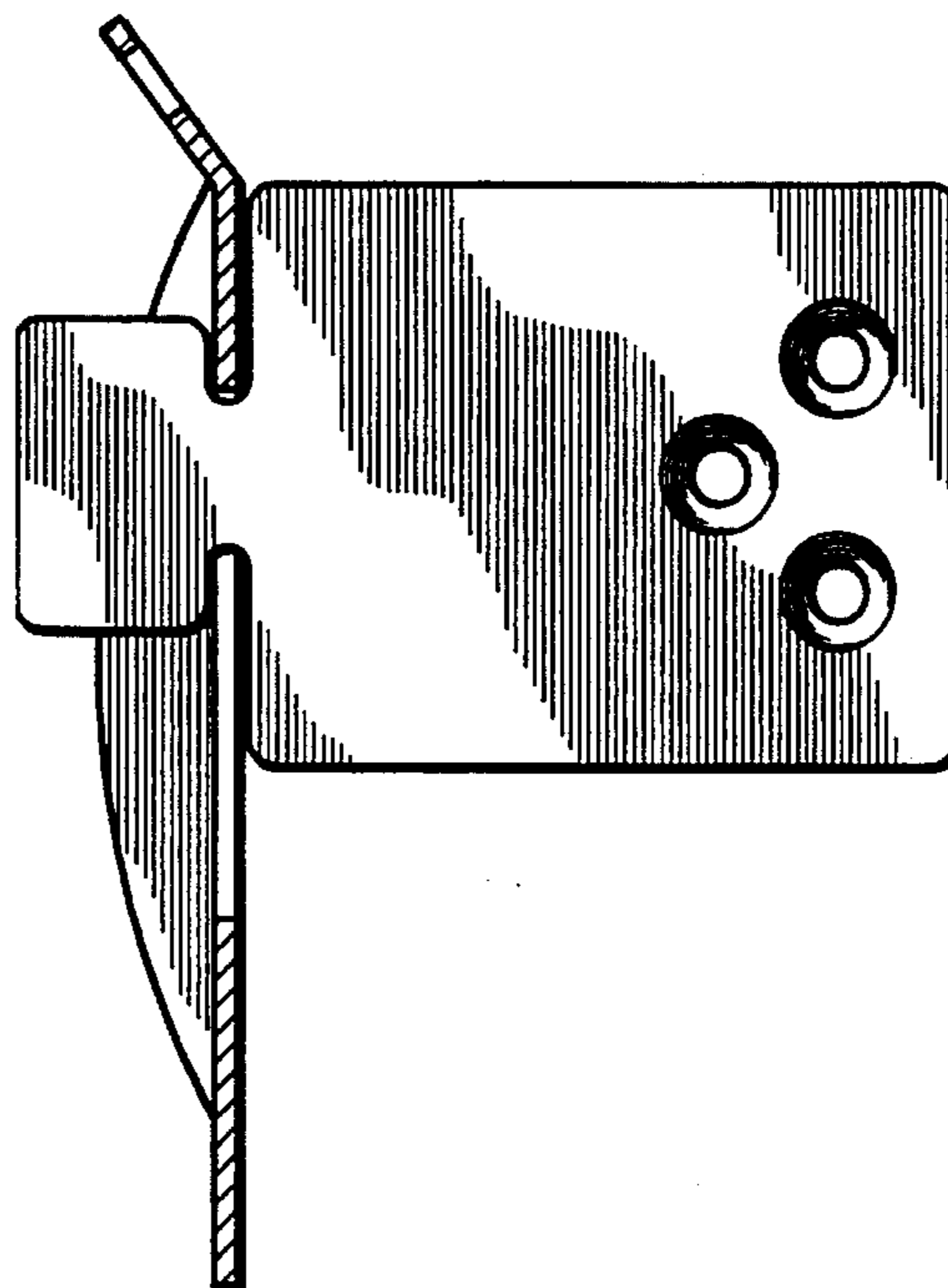
FIG. 12 is a right side elevational view of the stop plate portion thereof;

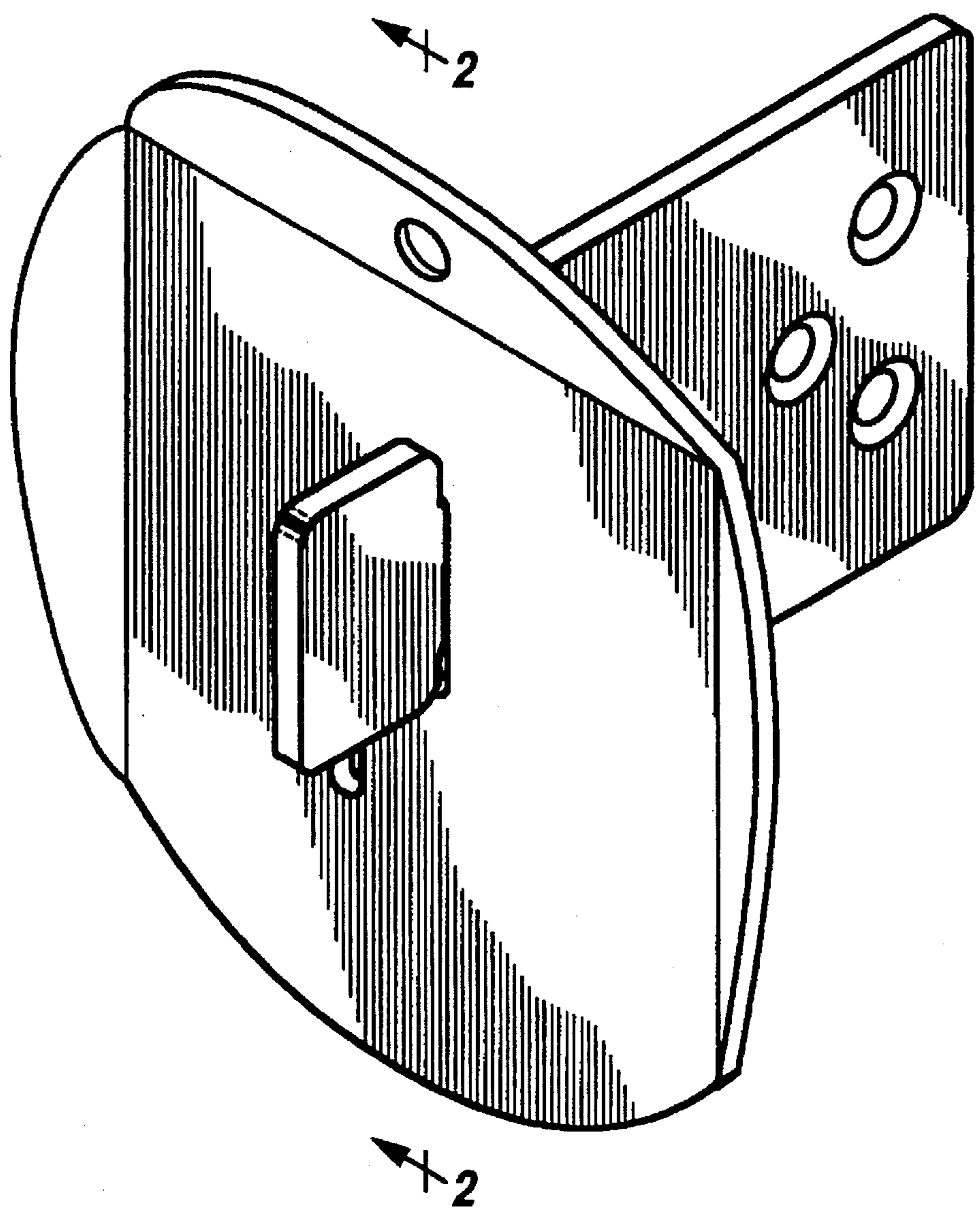
FIG. 13 is a rear elevational view of the stop plate portion thereof;

FIG. 14 is a vertical cross-sectional view of the stop plate portion thereof, taken along line 14—14 of FIG. 13; and,

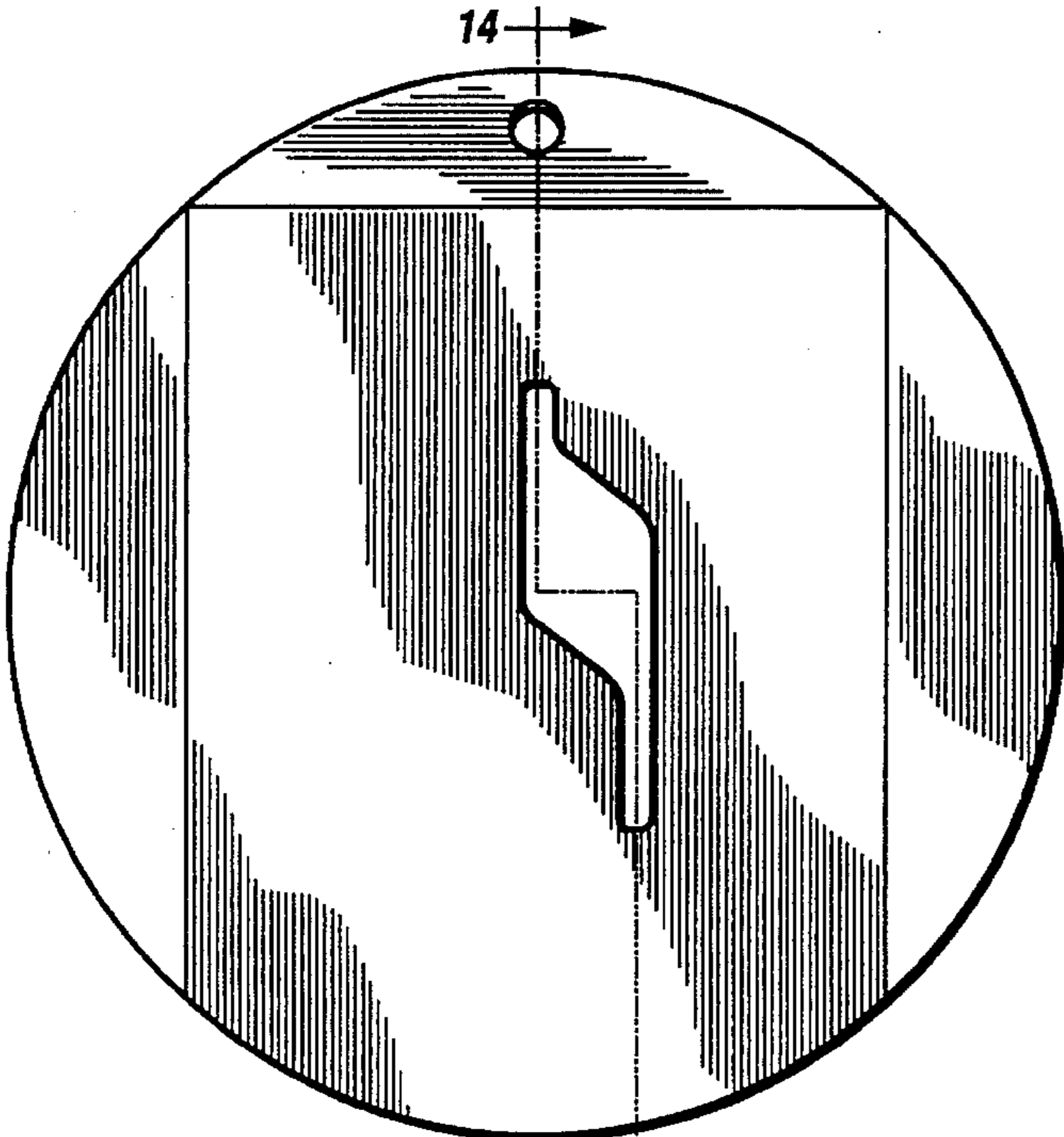
FIG. 15 is a front elevational view of an alternate embodiment thereof, showing the stop plate portion, with the only difference from the first embodiment residing in the appearance of the central keyway aperture.

1 Claim, 4 Drawing Sheets





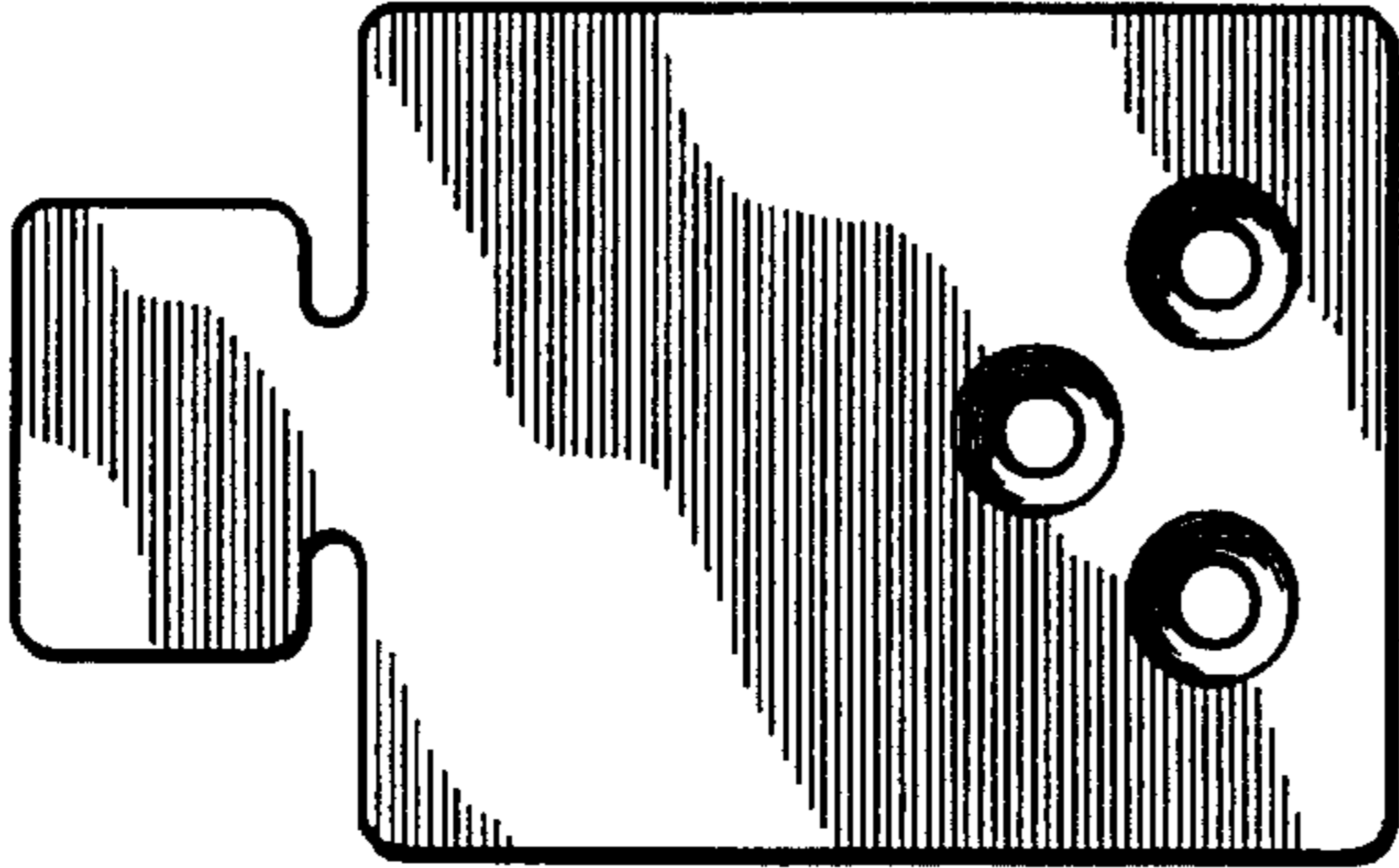
**Fig.1**



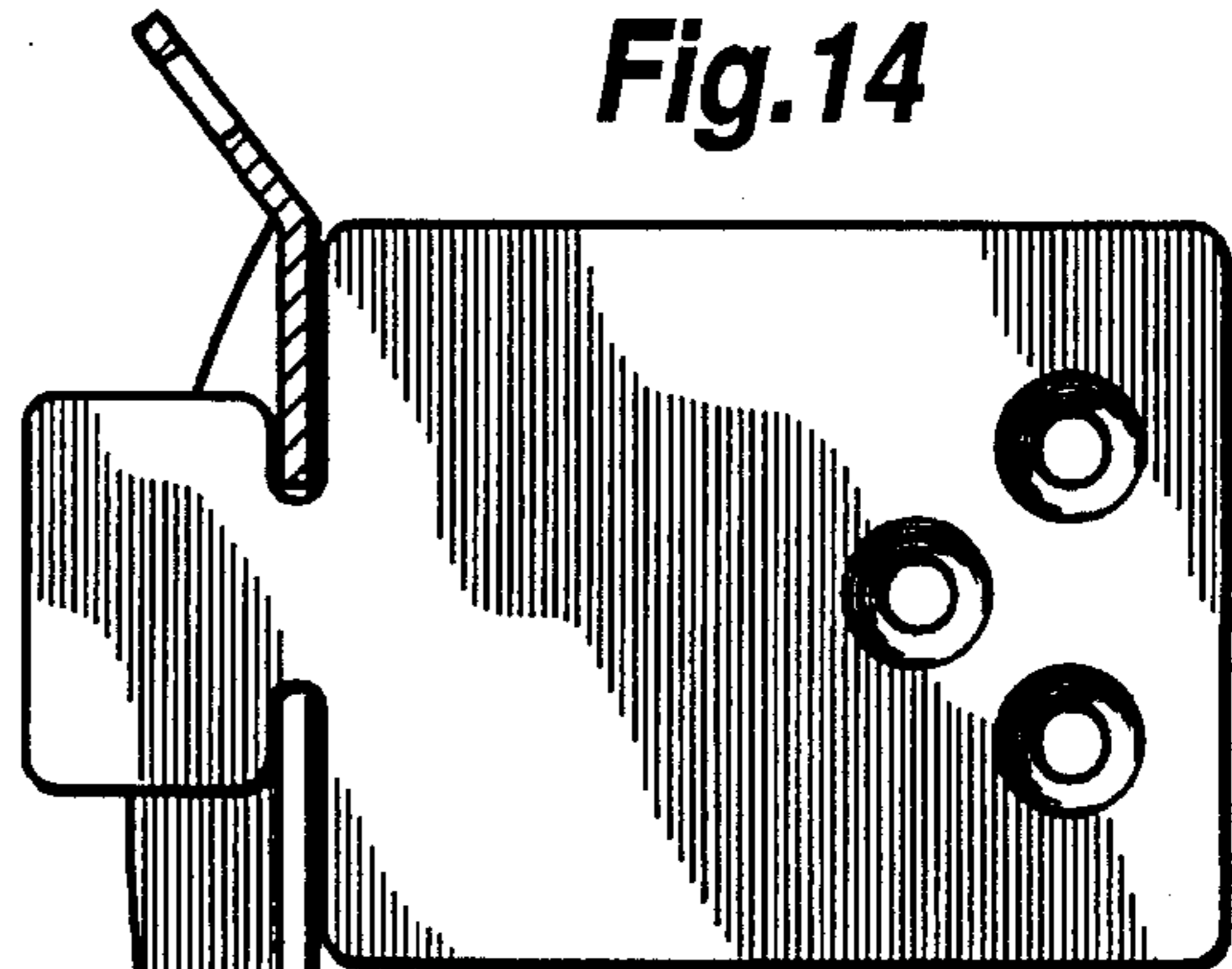
**Fig.13** 14 →



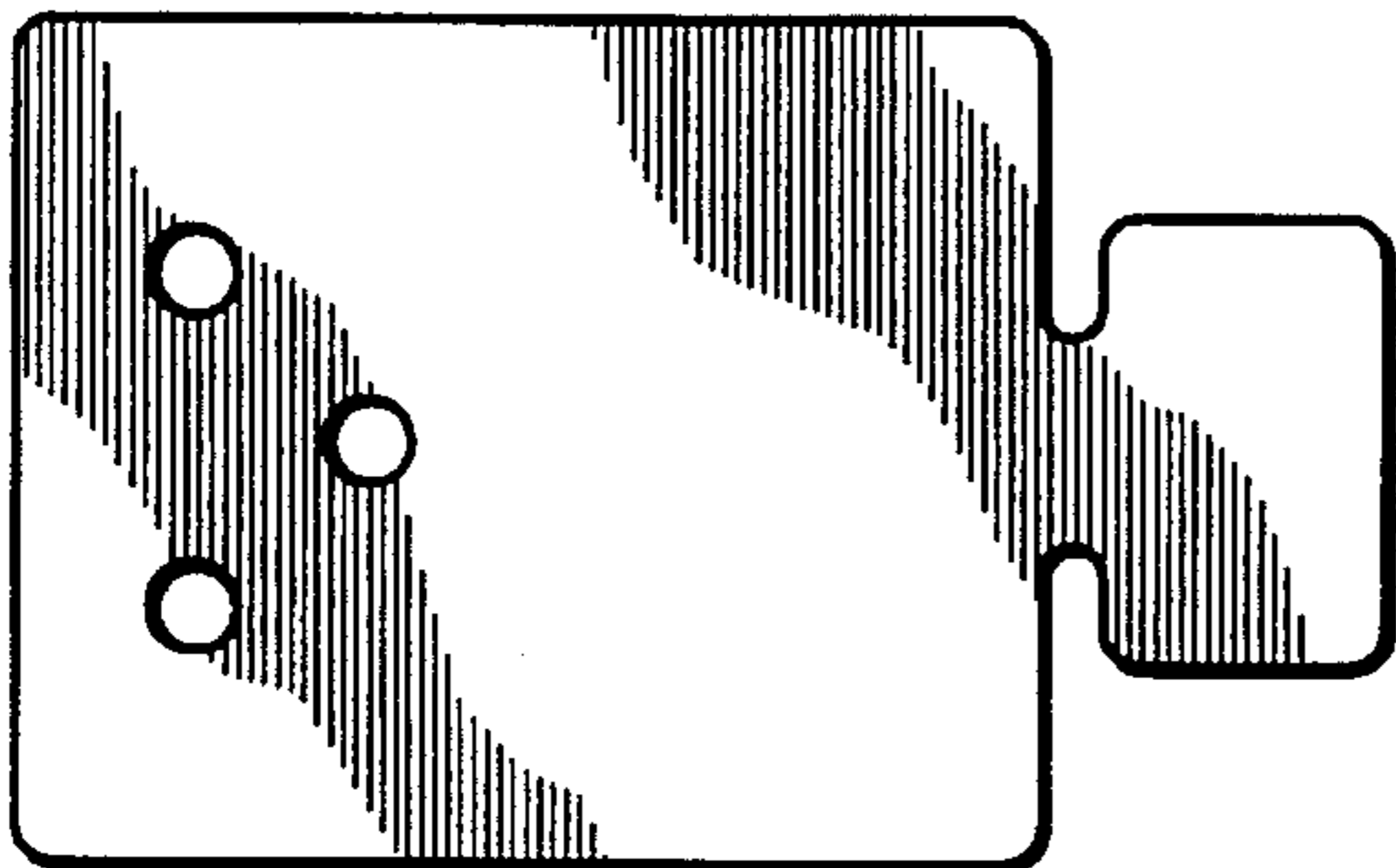
**Fig.14**



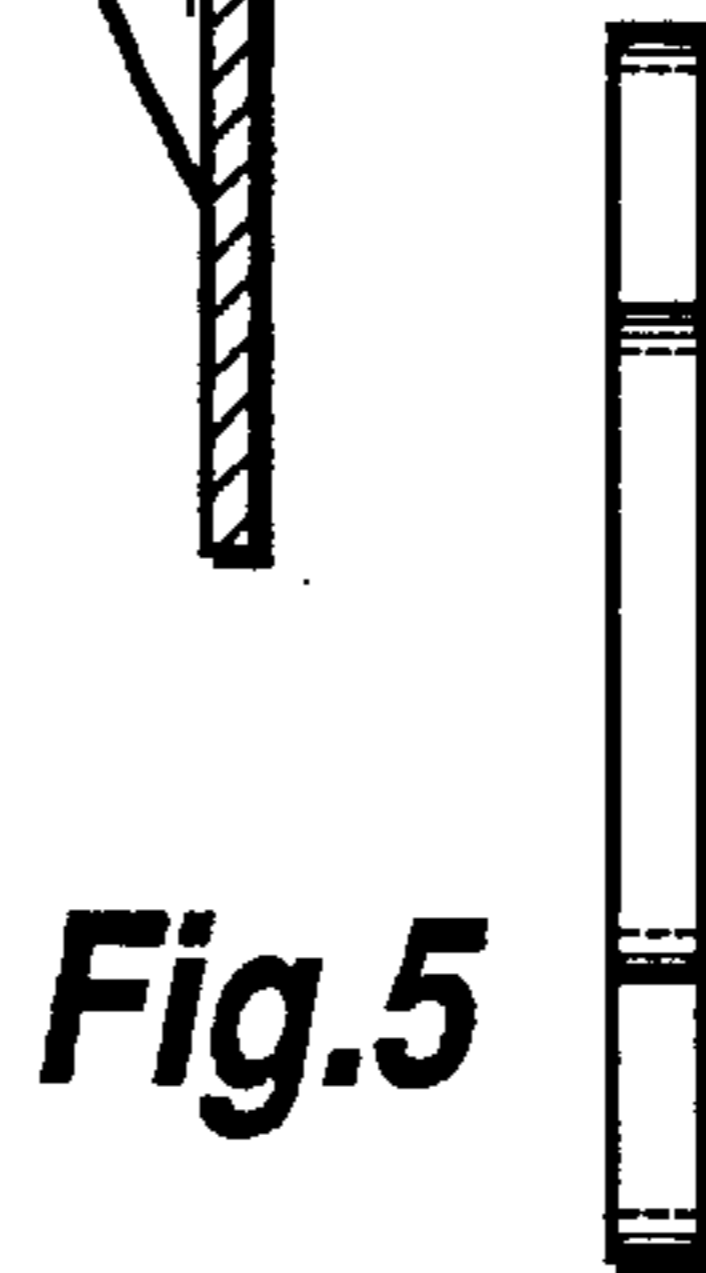
**Fig.3**



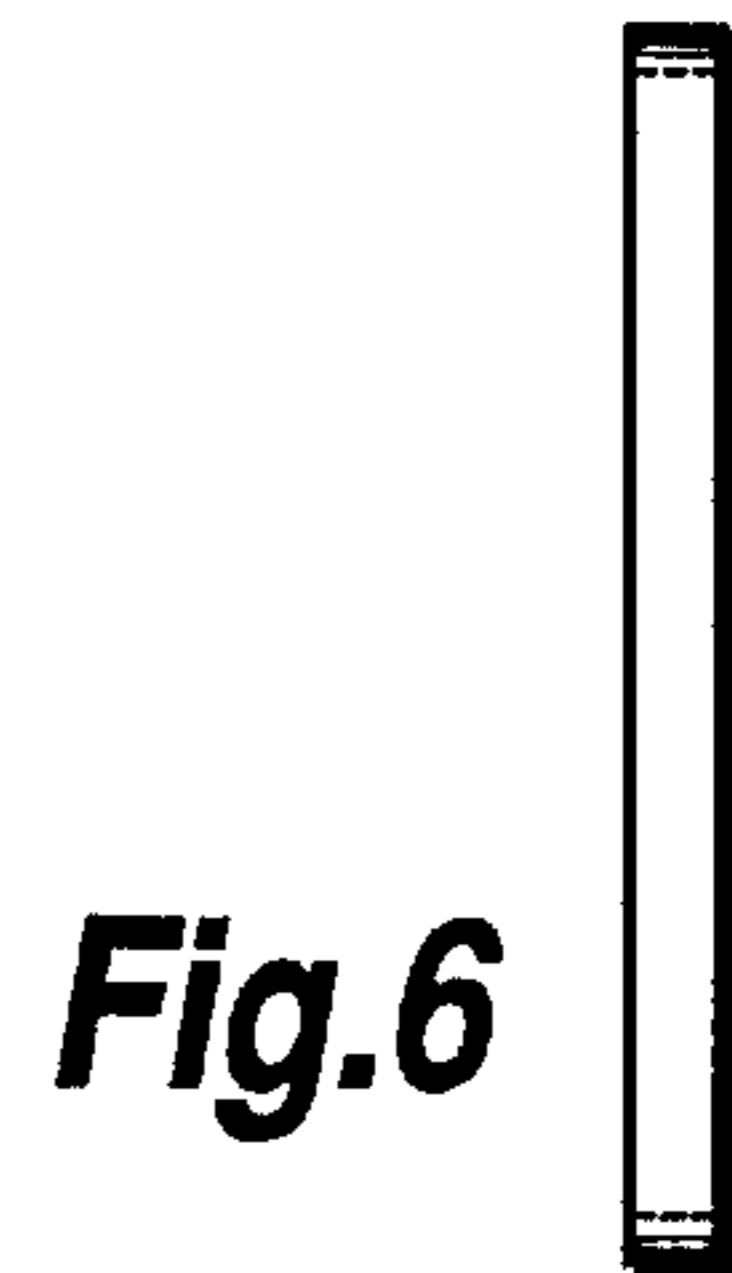
**Fig.2**



**Fig.4**



**Fig.5**



**Fig.6**



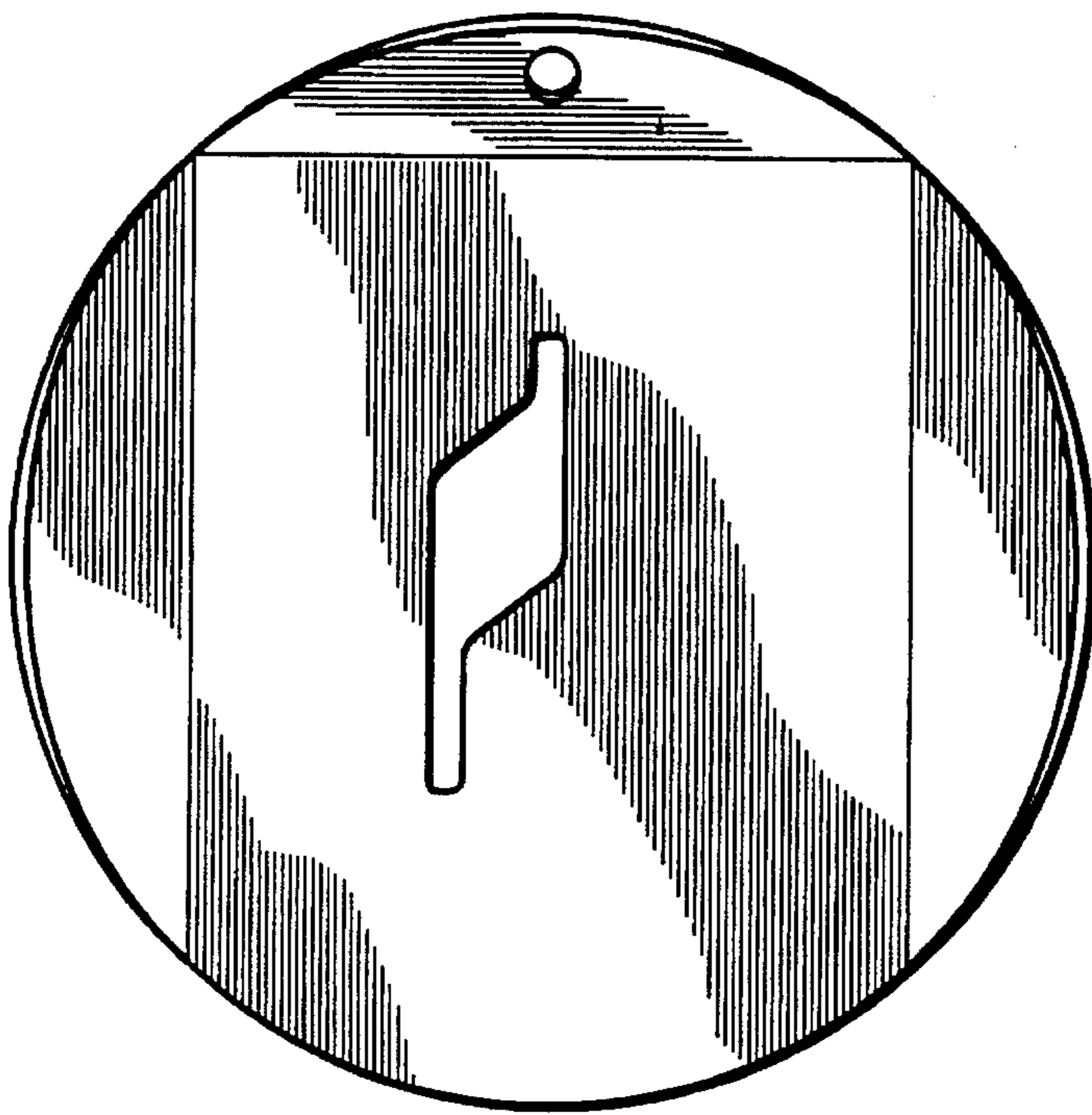
**Fig.7**



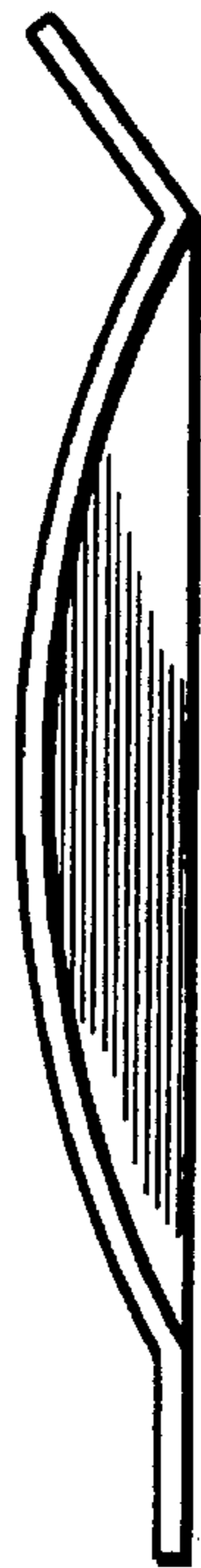
**Fig.9**



**Fig.11**



**Fig.8**

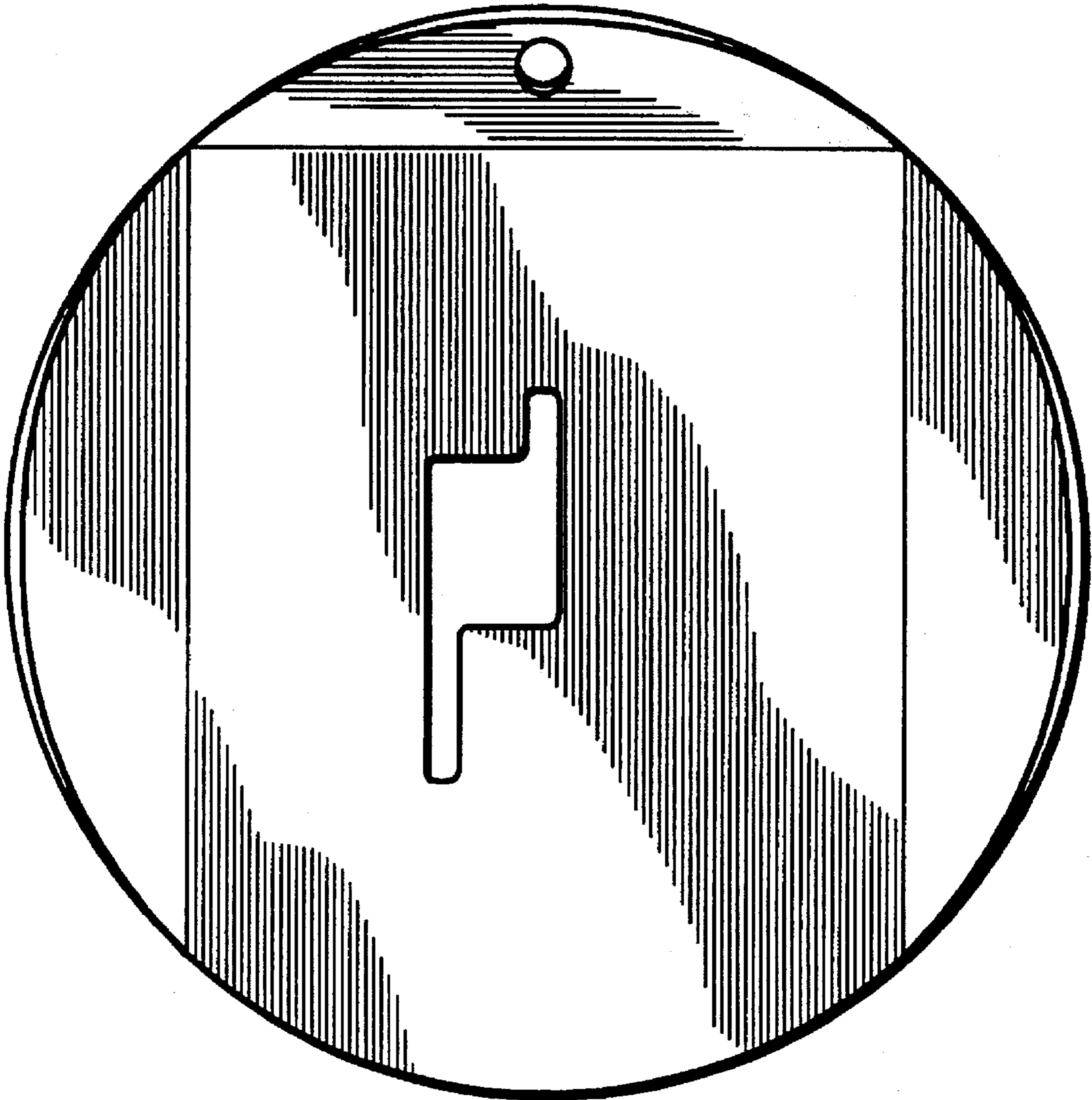


**Fig.12**



**Fig.10**





***Fig.15***