



US00D368840S

United States Patent [19] Scholl

[11] Patent Number: Des. 368,840

[45] Date of Patent: **Apr. 16, 1996

[54] EXIT OPERATOR

[75] Inventor: Winfried Scholl, Düsseldorf, Germany

[73] Assignee: Hewi Heinrich Wilke, Arolsen, Germany

[**] Term: 14 Years

[21] Appl. No.: 21,188

[22] Filed: Apr. 12, 1994

Related U.S. Application Data

[62] Division of Ser. No. 916,175, Jul. 17, 1992, Pat. No. Des. 352,221.

[30] Foreign Application Priority Data

Jan. 17, 1992 [DE] Germany 92 00 278.1

[52] U.S. Cl. D8/302; D8/320

[58] Field of Search D8/300, 301, 302, D8/315-320; 292/92, 93, DIG. 65; 70/92

[56] References Cited

U.S. PATENT DOCUMENTS

D. 199,966	1/1965	Foster	D8/302
2,910,857	11/1959	Muessel	70/92
3,383,130	5/1968	DeAvila	292/92
3,819,213	6/1974	Vanderburgh	70/92
3,873,141	3/1975	Peterson	70/92
4,084,845	4/1978	Eckert	70/92
4,470,625	9/1984	Walsh et al.	292/DIG. 65
4,895,399	1/1990	Horgan, Jr.	292/92

Primary Examiner—B. J. Bullock
Attorney, Agent, or Firm—Michael J. Striker

[57] CLAIM

The ornamental design for an exit operator, as shown and described.

DESCRIPTION

FIG. 1 is a perspective view of an exit operator showing my new design;

FIG. 2 is a front view thereof;

FIG. 3 is a left side view thereof, the right side being a mirror image thereof;

FIG. 4 is a top view thereof;

FIG. 5 is a perspective view of a second embodiment of the design of FIG. 1, the only difference being the configuration of the cross bar;

FIG. 6 is a perspective view of a third embodiment of the design of FIG. 1, the only difference being the configuration of the cross bar;

FIG. 7 is a perspective view of a fourth embodiment of the design of FIG. 1, the only difference being the configuration of the cross bar;

FIG. 8 is an enlarged perspective view of the left mounting element shown separately for clarity of illustration;

FIG. 9 is a right side view of FIG. 8;

FIG. 10 is a front view of FIG. 8;

FIG. 11 is a left side view of FIG. 8;

FIG. 12 is a bottom view of FIG. 8;

FIG. 13 is a top view of FIG. 8;

FIG. 14 is an enlarged perspective view of the right mounting element shown separately for clarity of illustration;

FIG. 15 is a right side view of FIG. 14;

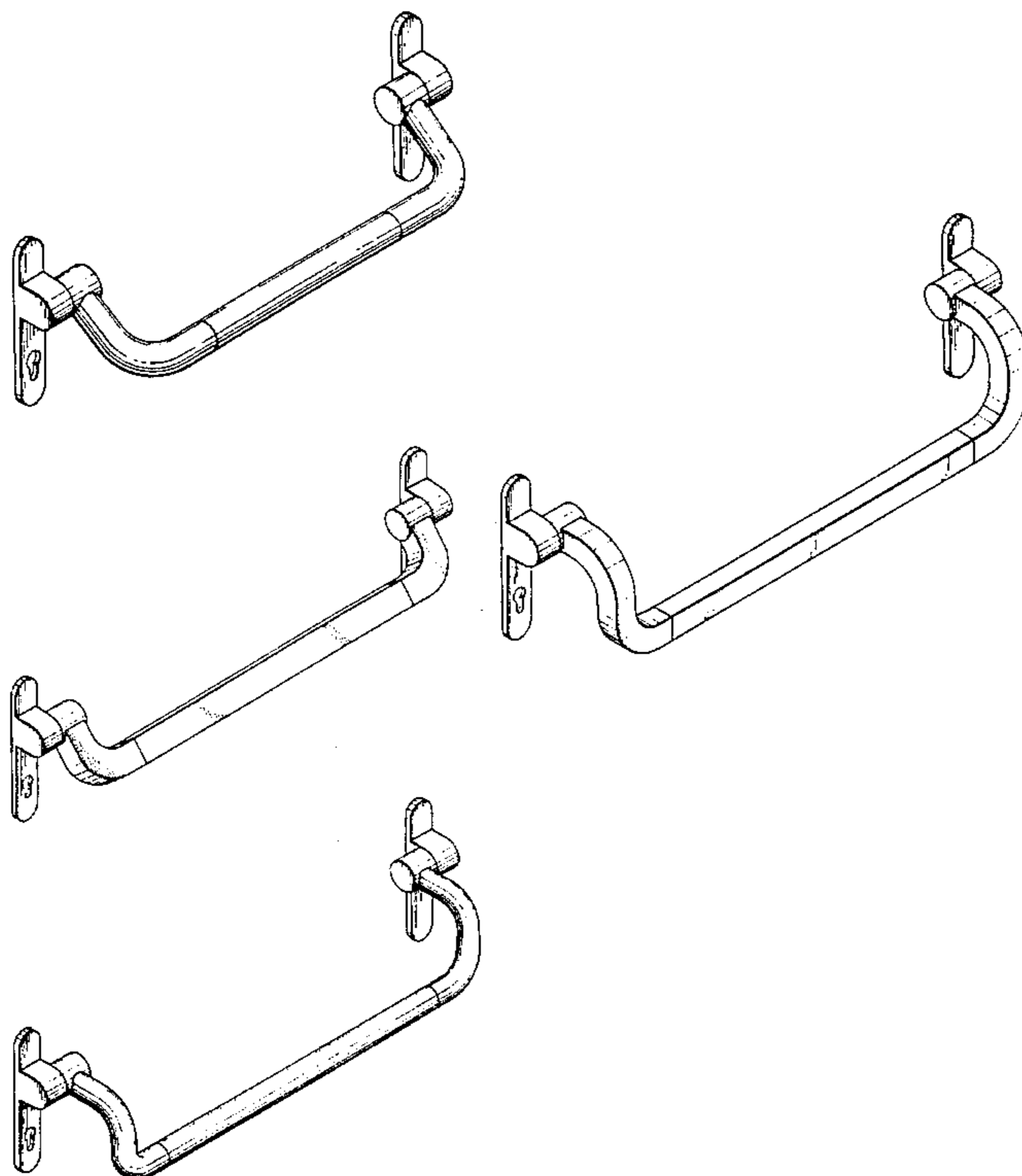
FIG. 16 is a front view of FIG. 14;

FIG. 17 is a left side view of FIG. 14;

FIG. 18 is a bottom view of FIG. 14; and,

FIG. 19 is a top view of FIG. 14.

1 Claim, 5 Drawing Sheets



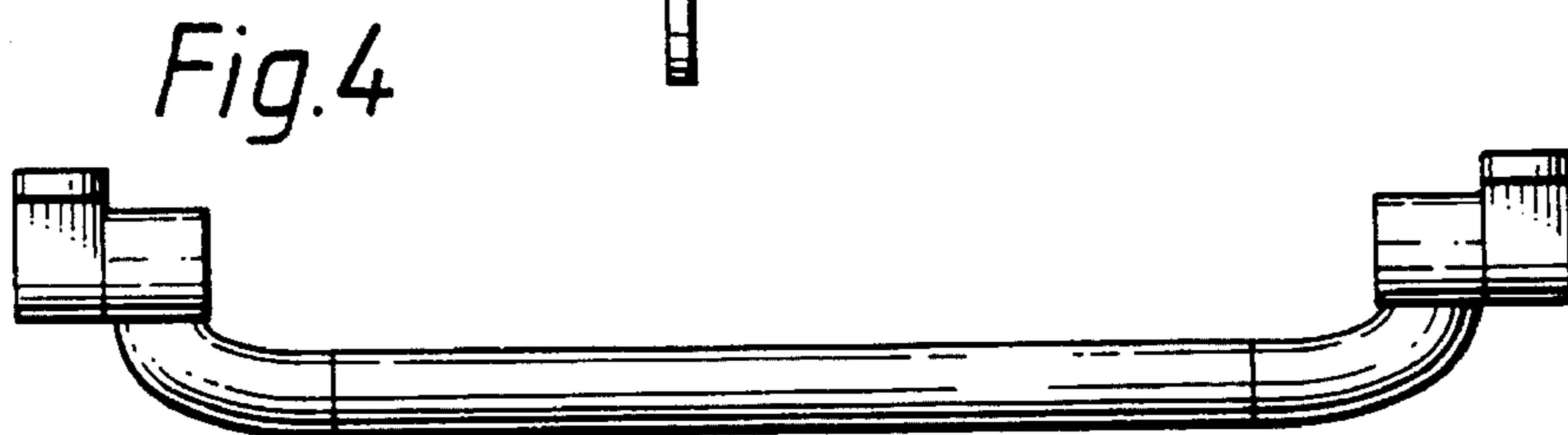
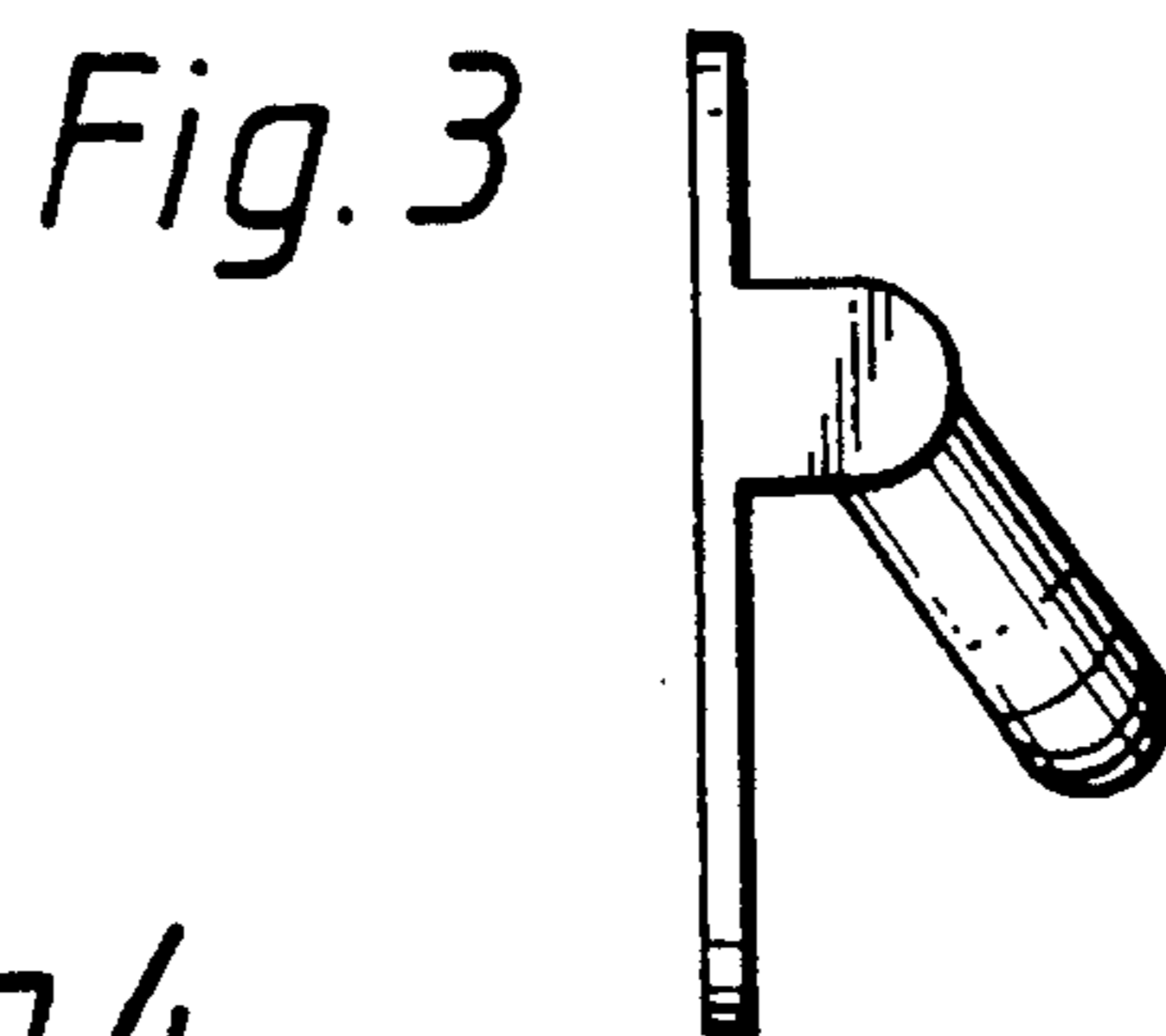
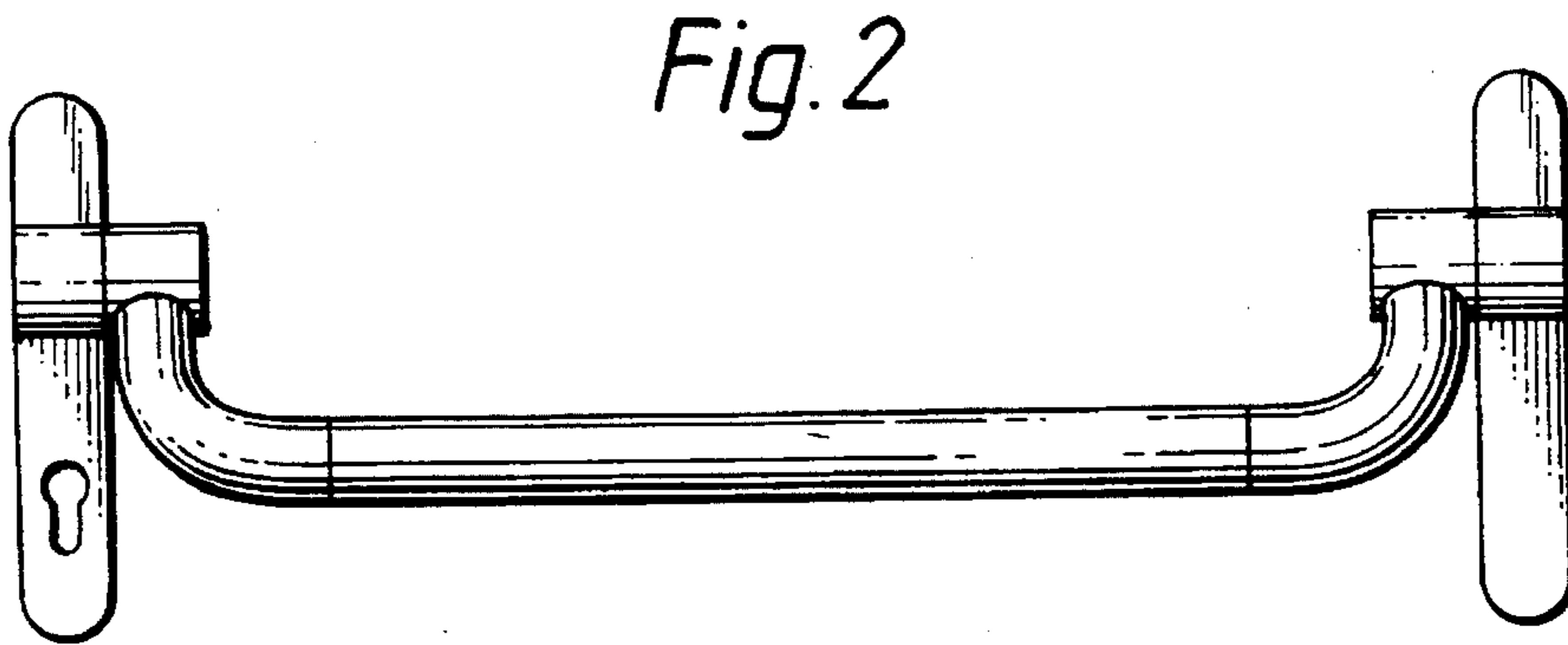
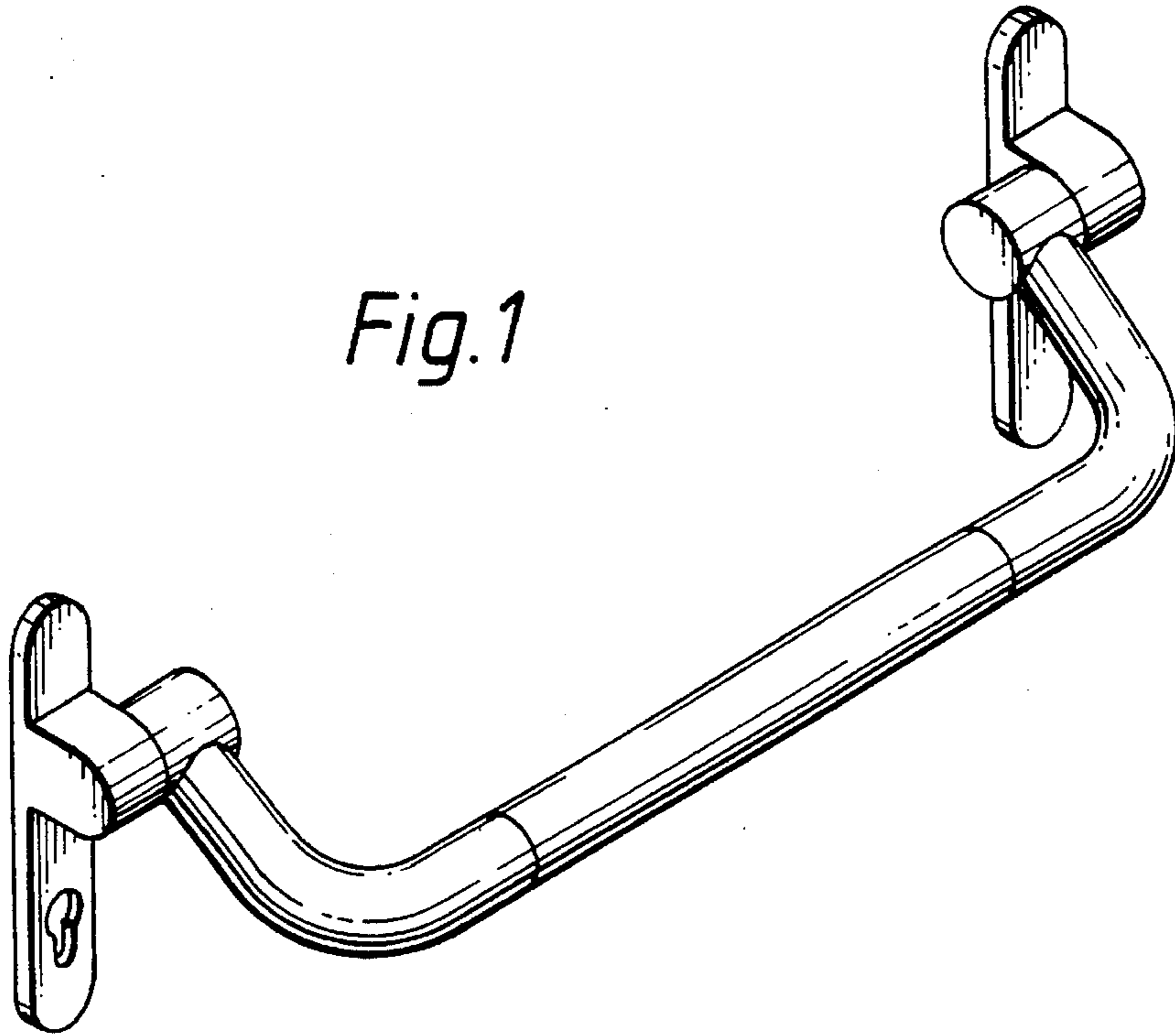


Fig. 5.

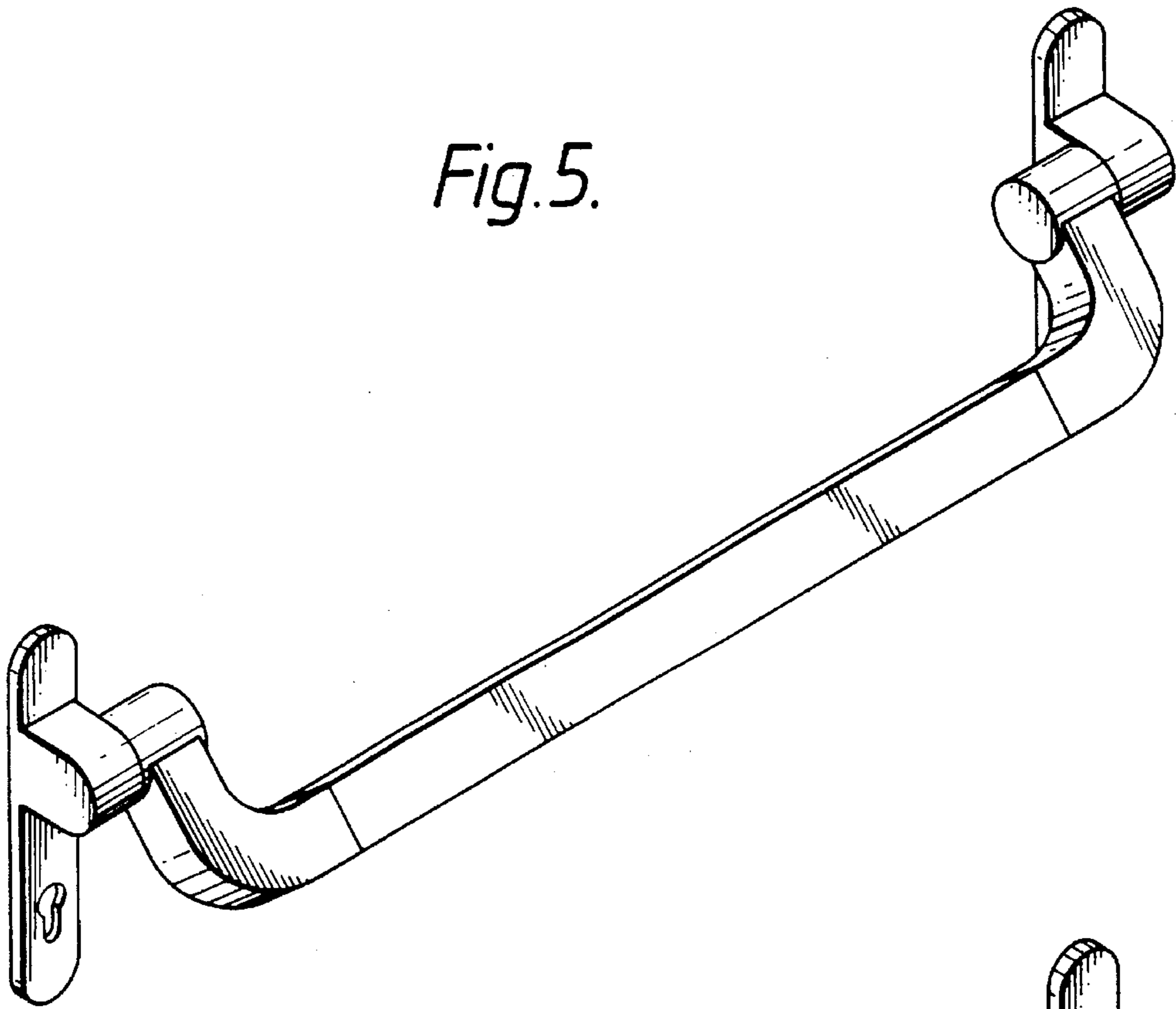


Fig. 6.

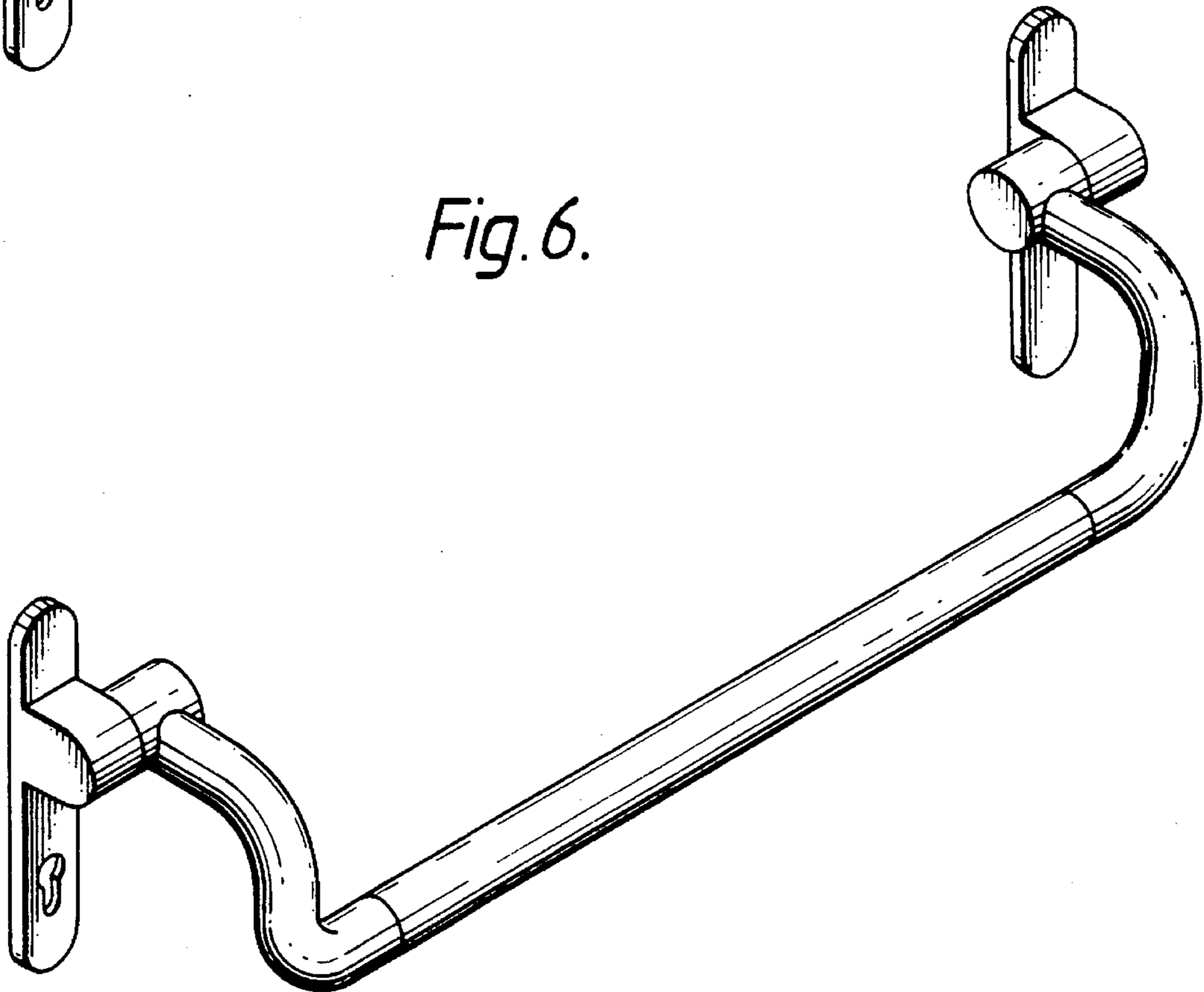


Fig. 7

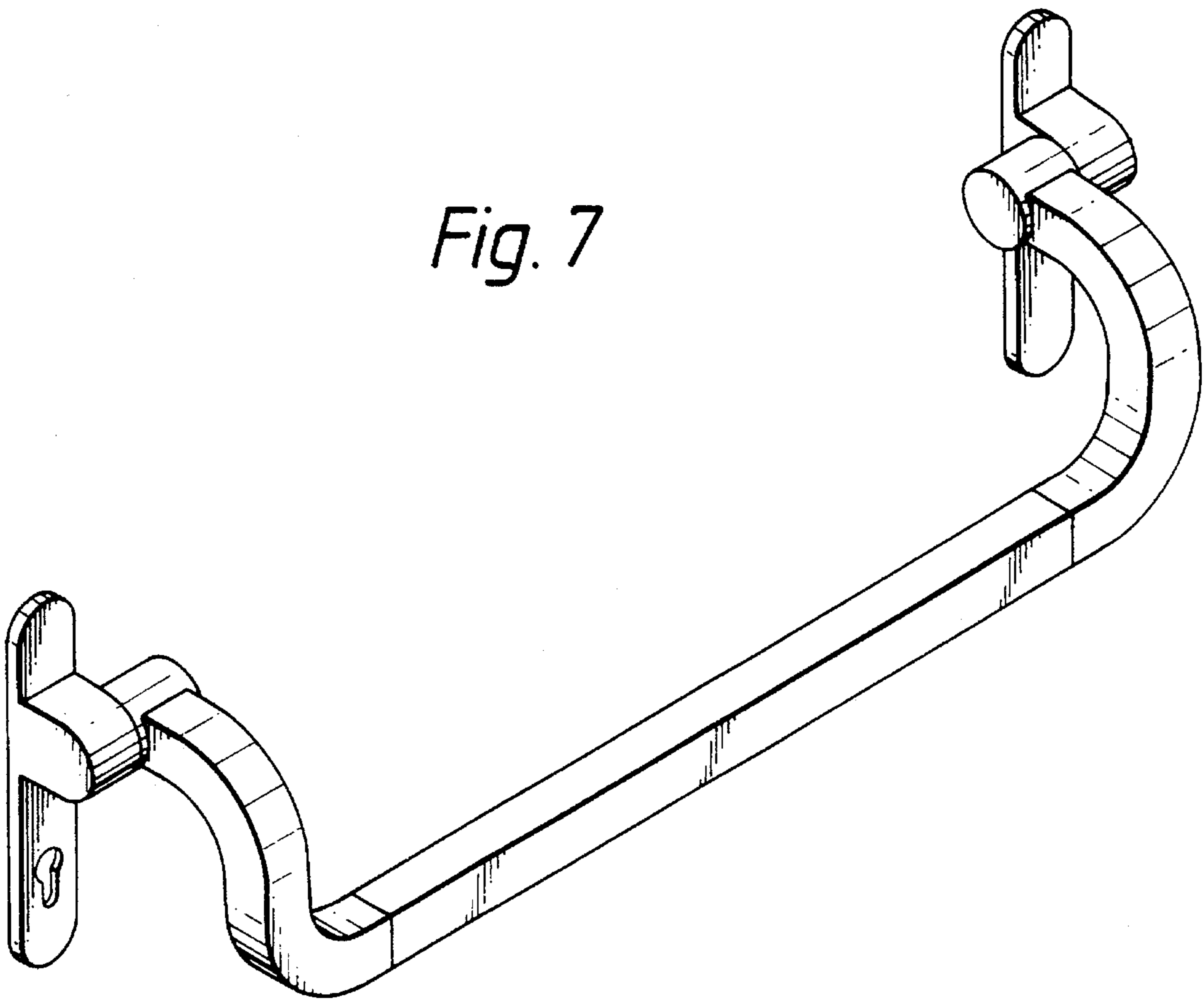


Fig. 8

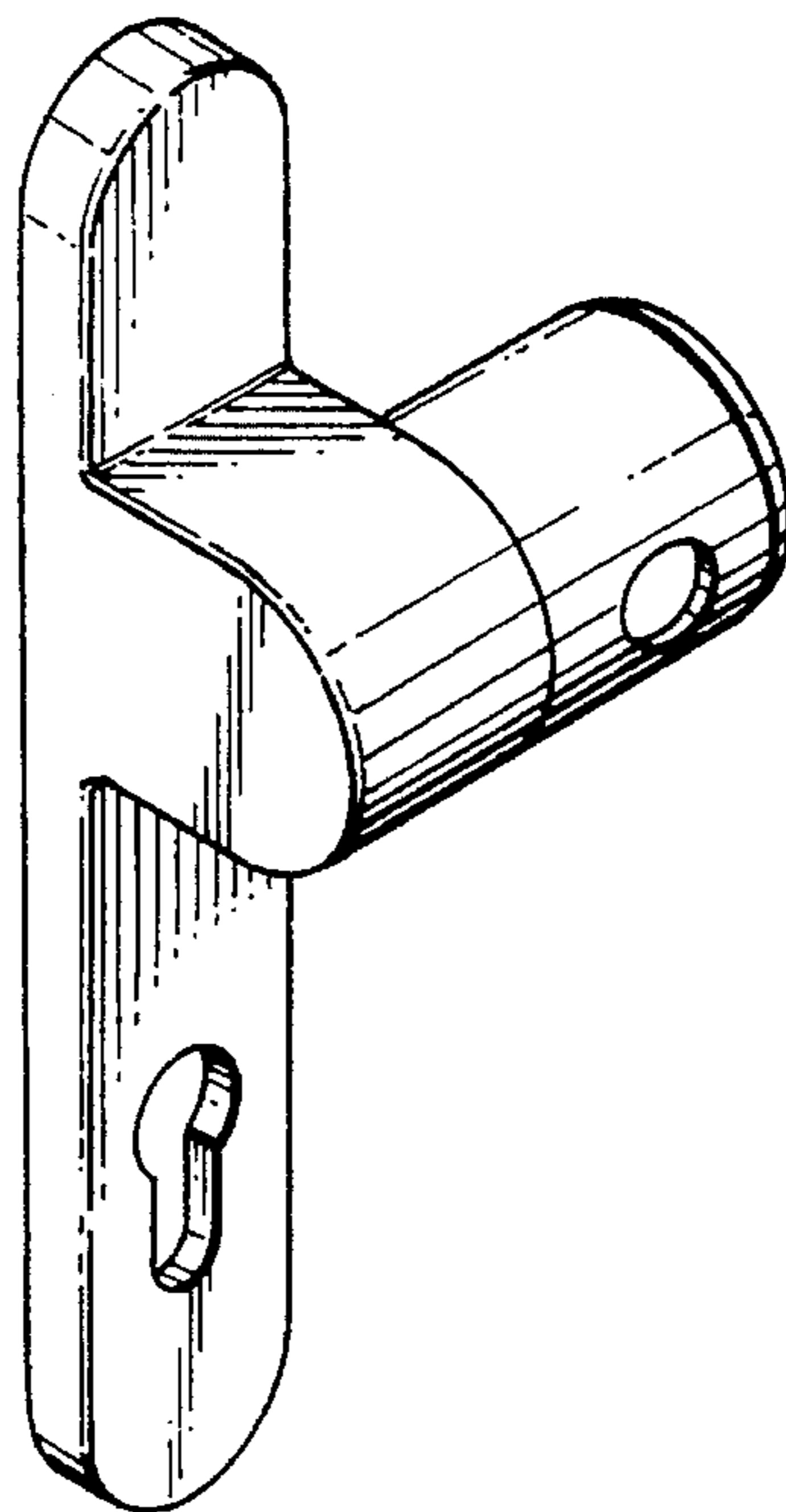


Fig. 9

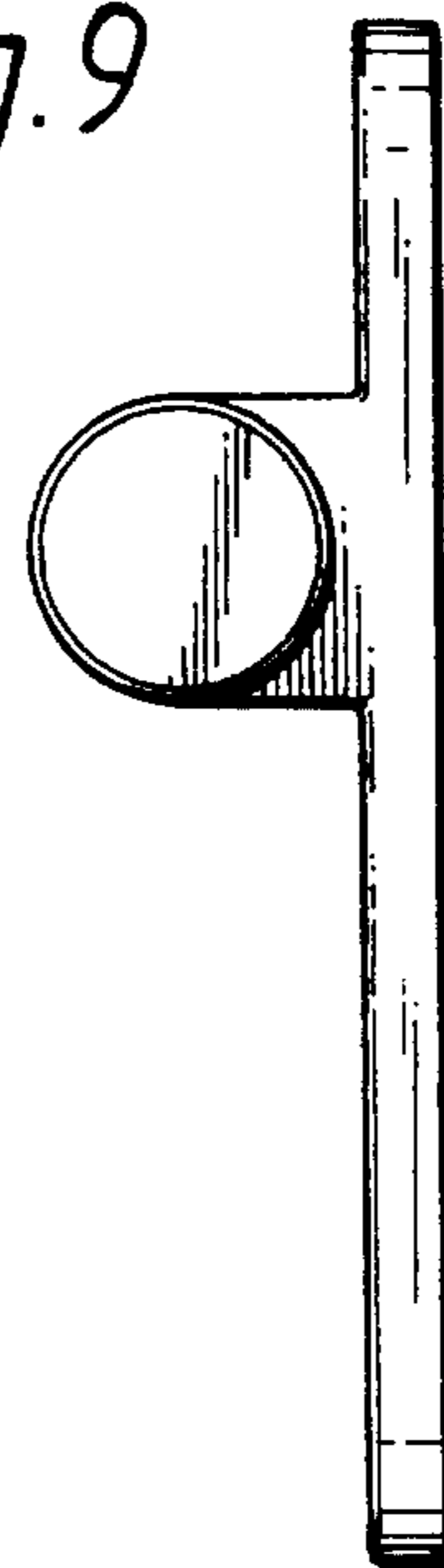


Fig. 10

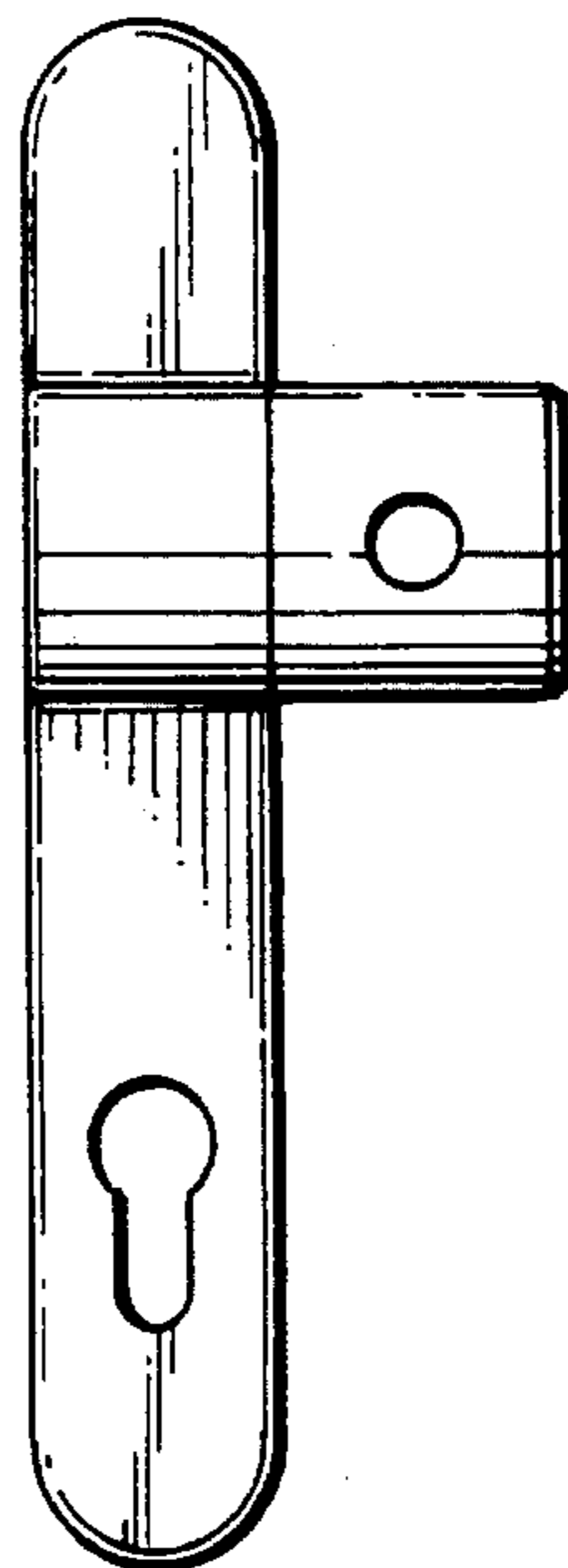


Fig. 11

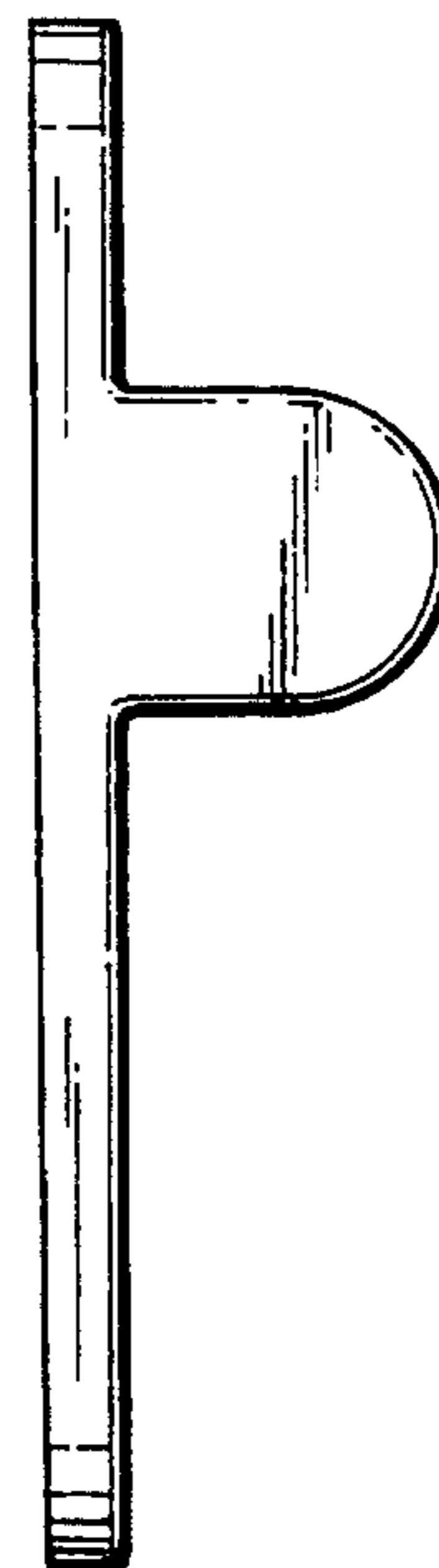


Fig. 12

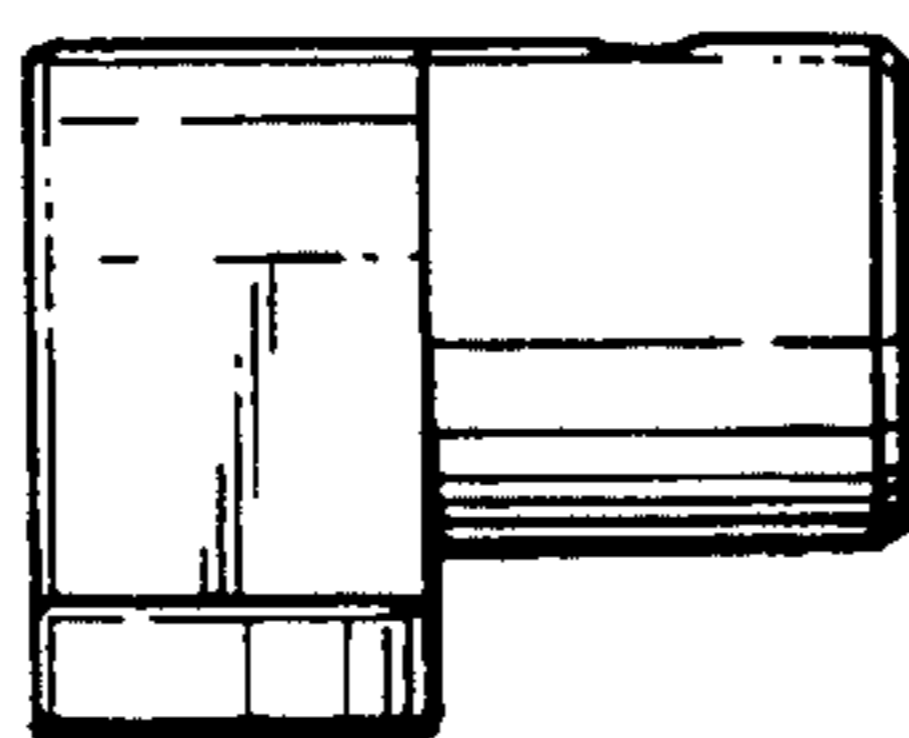
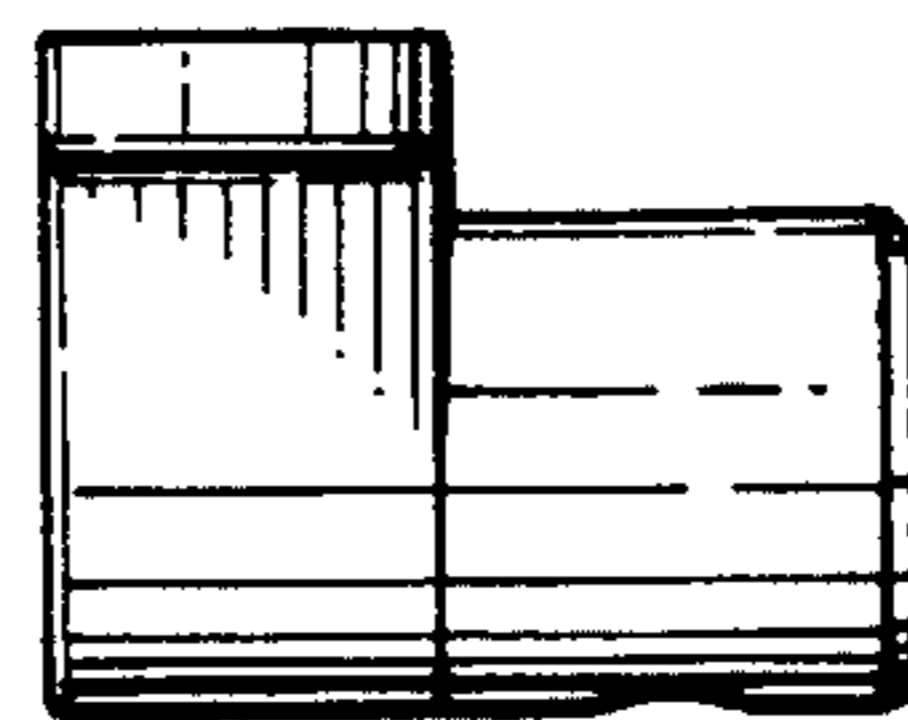


Fig. 13



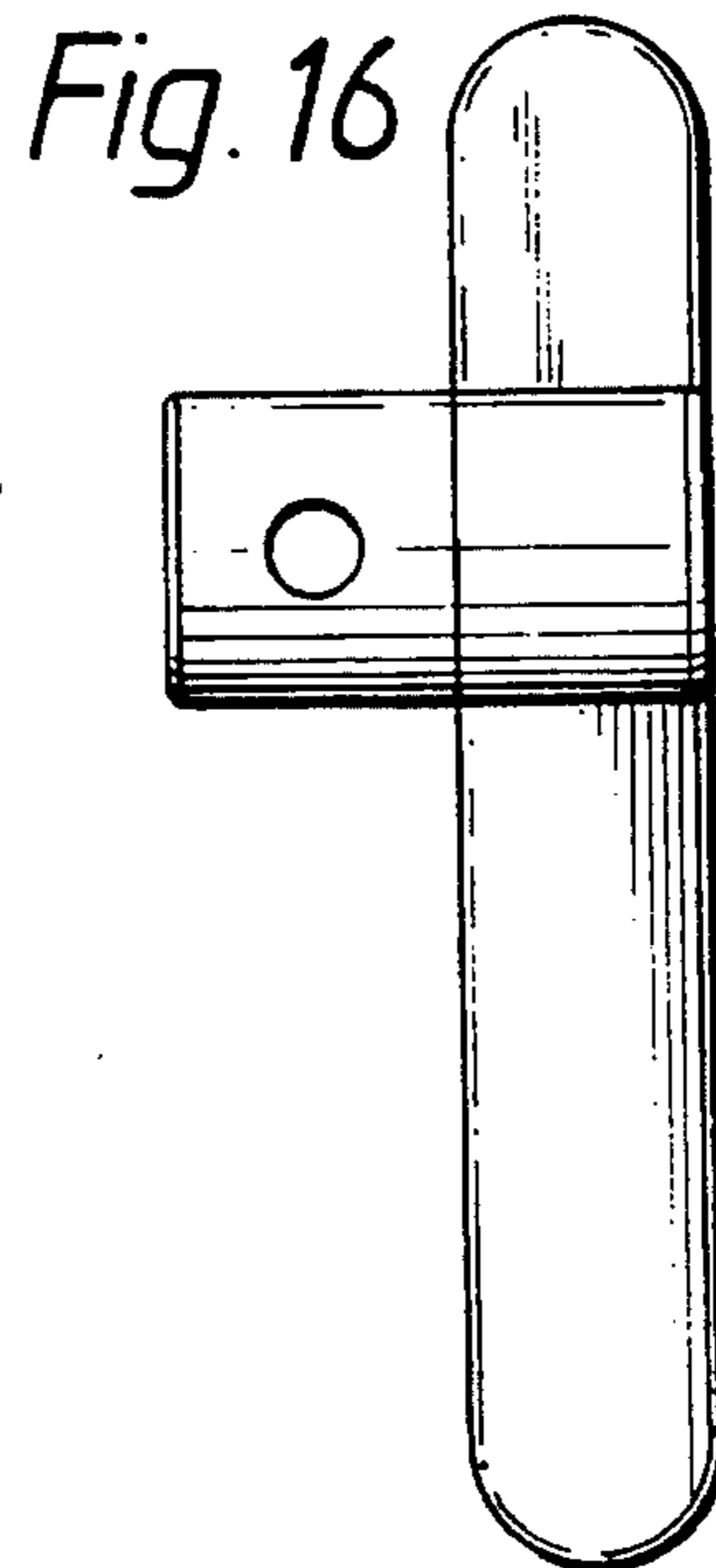
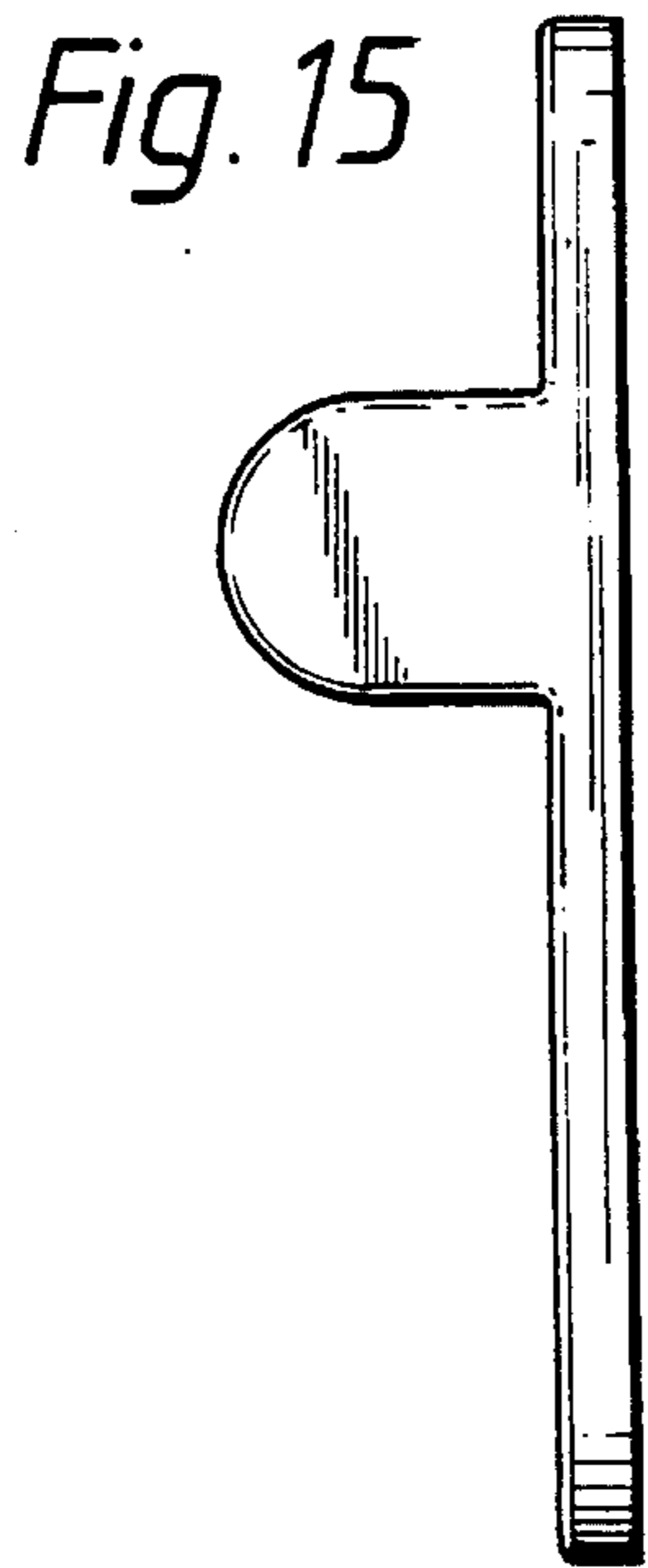
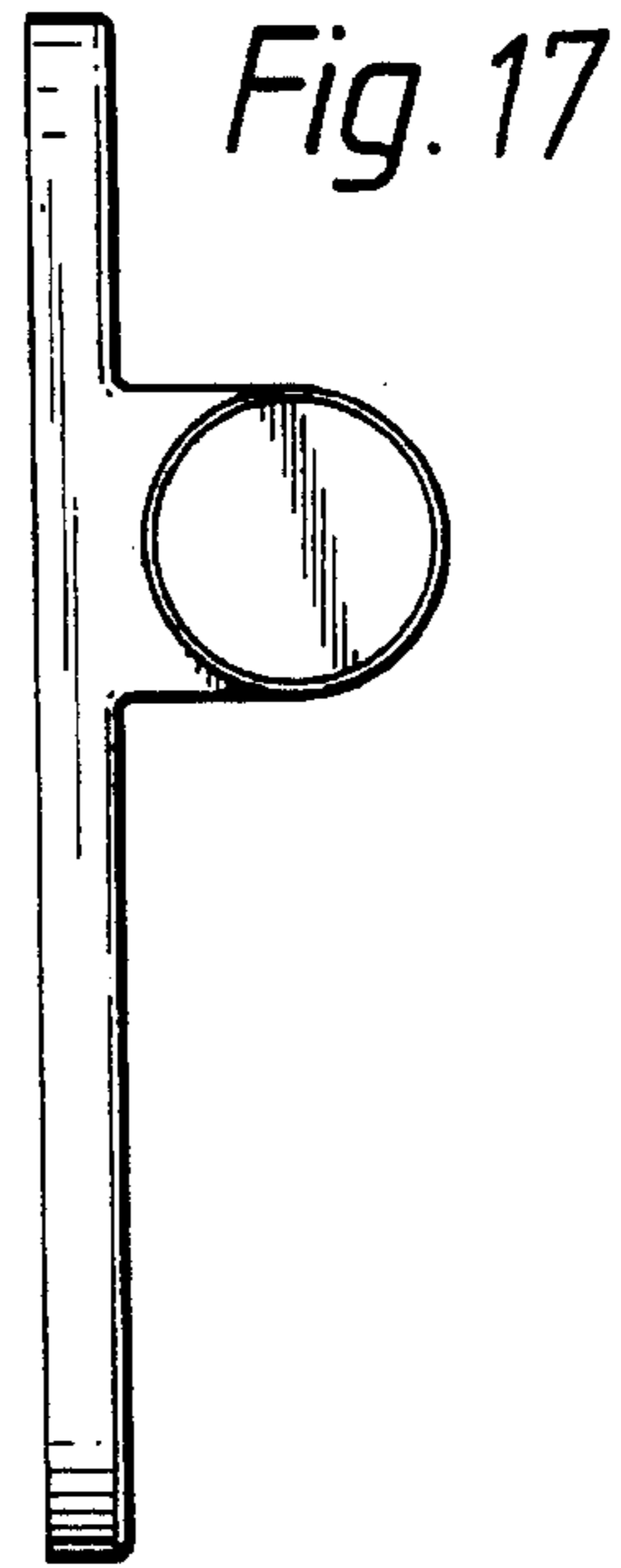
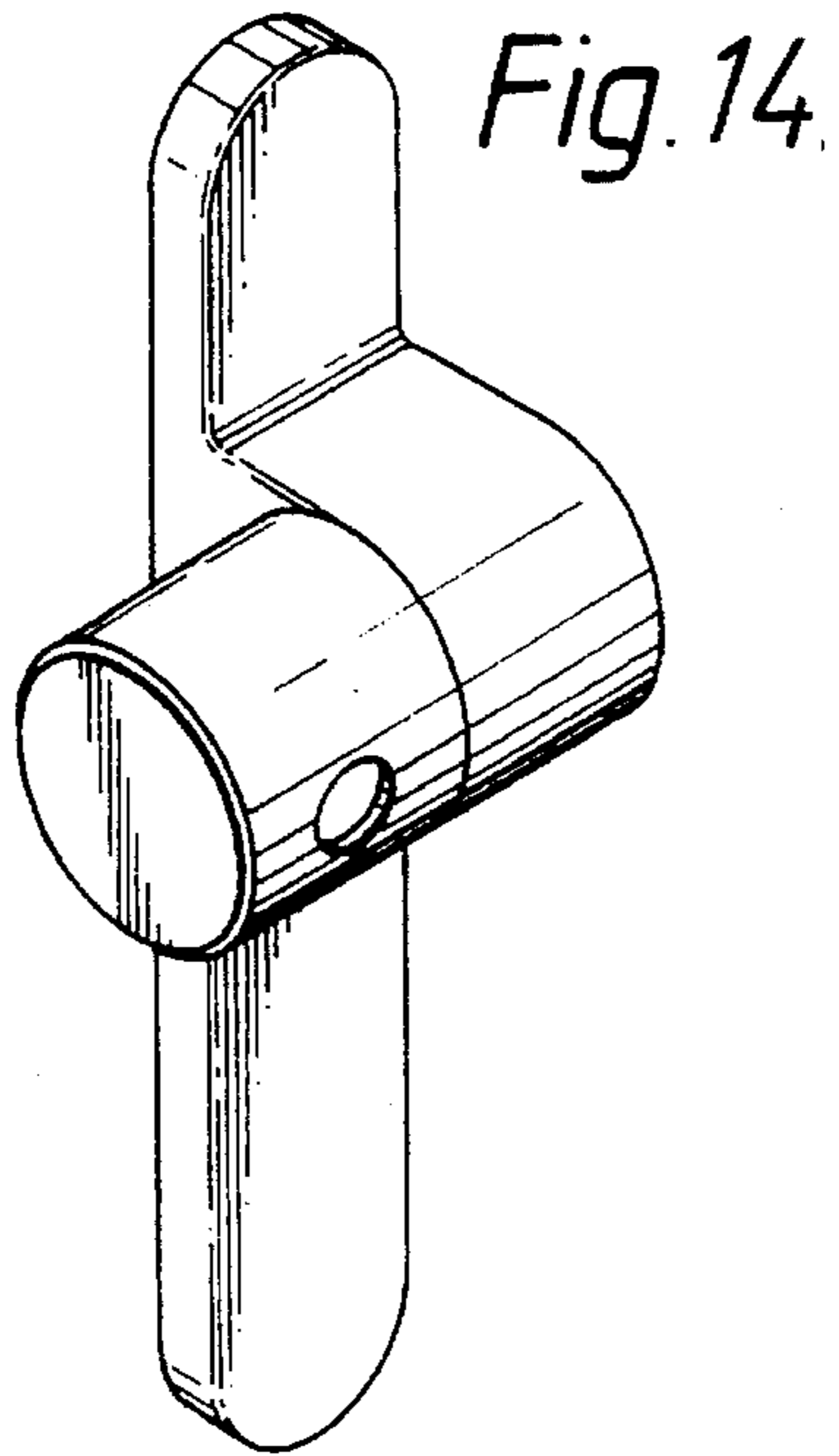


Fig. 18

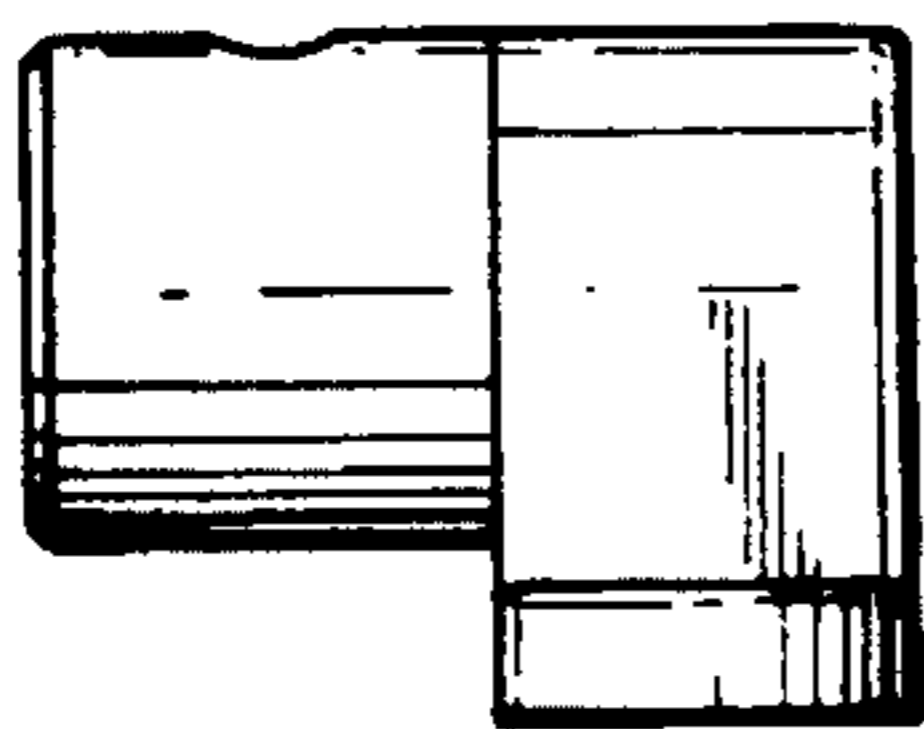


Fig. 19

