



US00D368836S

# United States Patent [19]

Danielson

[11] Patent Number: Des. 368,836

[45] Date of Patent: \*\*Apr. 16, 1996

[54] SAND RAKE

D. 534,684 9/1994 Siler, III ..... 56/400.16 X

[76] Inventor: Elmer O. Danielson, P.O. Box 58,  
Mulberry Grove, Ill. 62262

Primary Examiner—A. Hugo Word  
Assistant Examiner—Holly Baynham  
Attorney, Agent, or Firm—Harpman & Harpman

[\*\*] Term: 14 Years

### [57] CLAIM

[21] Appl. No.: 37,268

The ornamental design for a sand rake, as shown and described.

[22] Filed: Apr. 10, 1995

[52] U.S. Cl. .... D8/13

### DESCRIPTION

[58] Field of Search ..... D8/13; 56/400.01,  
56/400.04, 400.21; 7/114-116

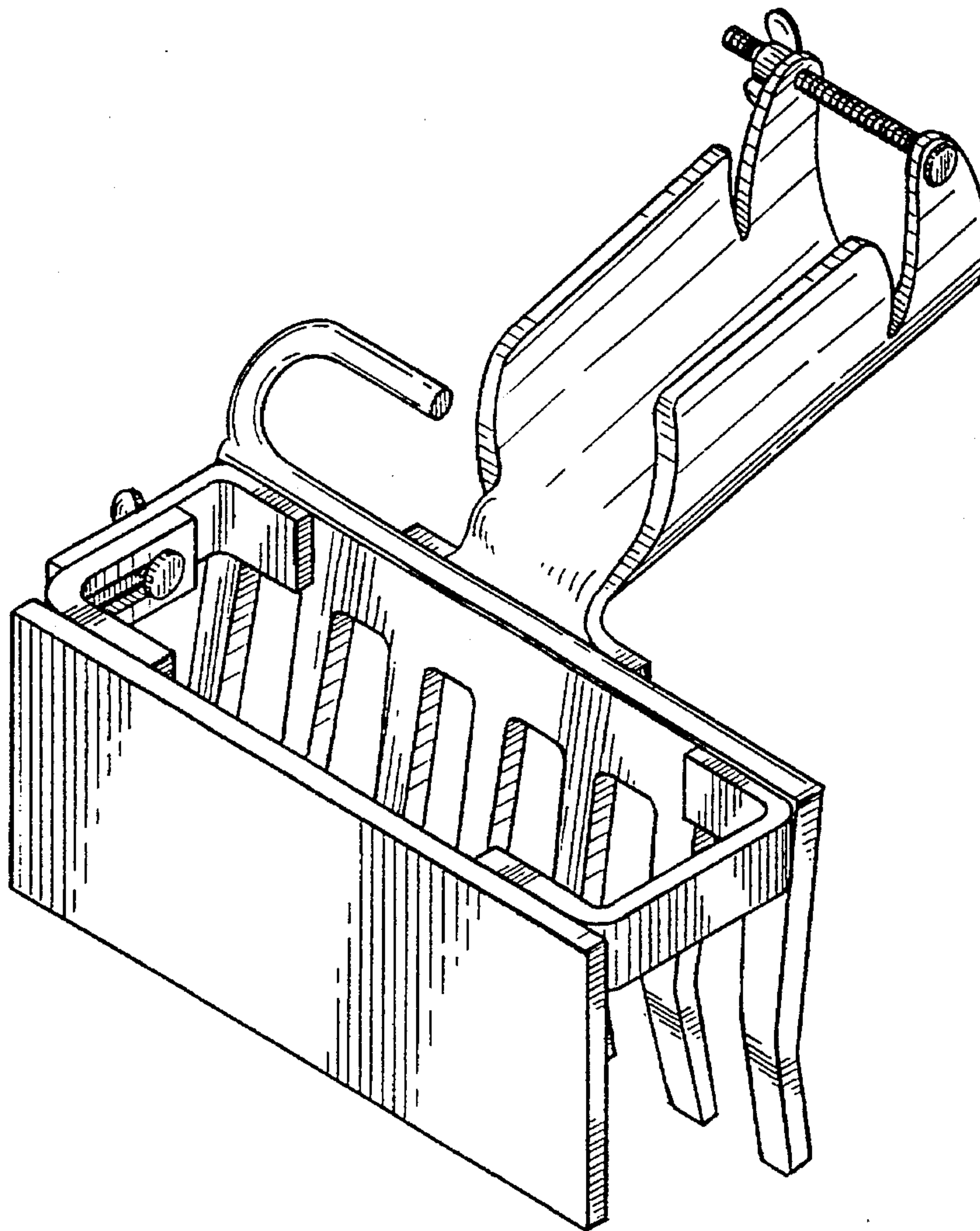
FIG. 1 is a front, top and side perspective view of the sand rake embodiment the design of the present invention; FIG. 2 is a front elevational view thereof; FIG. 3 is a rear elevational view thereof; FIG. 4 is a right side elevational view thereof; FIG. 5 is a left side elevational view thereof; FIG. 6 is a top plan view thereof; and, FIG. 7 is a bottom plan view thereof.

### [56] References Cited

#### U.S. PATENT DOCUMENTS

D. 240,998	8/1976	Salvatore	.....	D8/13
D. 274,118	6/1984	Cochrane	.....	D8/13
D. 331,353	12/1992	Valentine	.....	D8/13 X
D. 340,844	11/1993	Iverson	.....	D8/13
D. 352,874	11/1994	Garcia	.....	D8/13

1 Claim, 4 Drawing Sheets



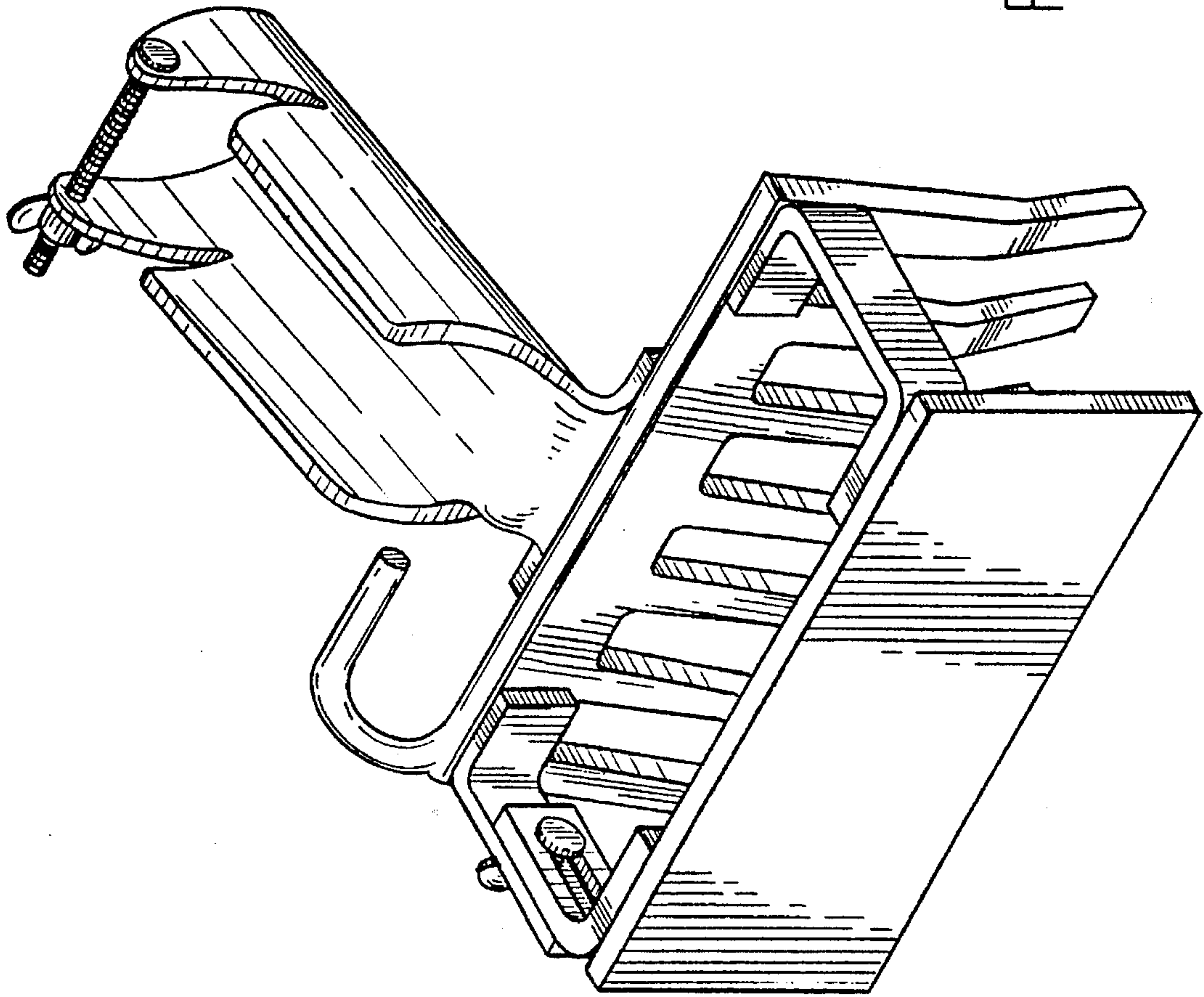


FIG. 1

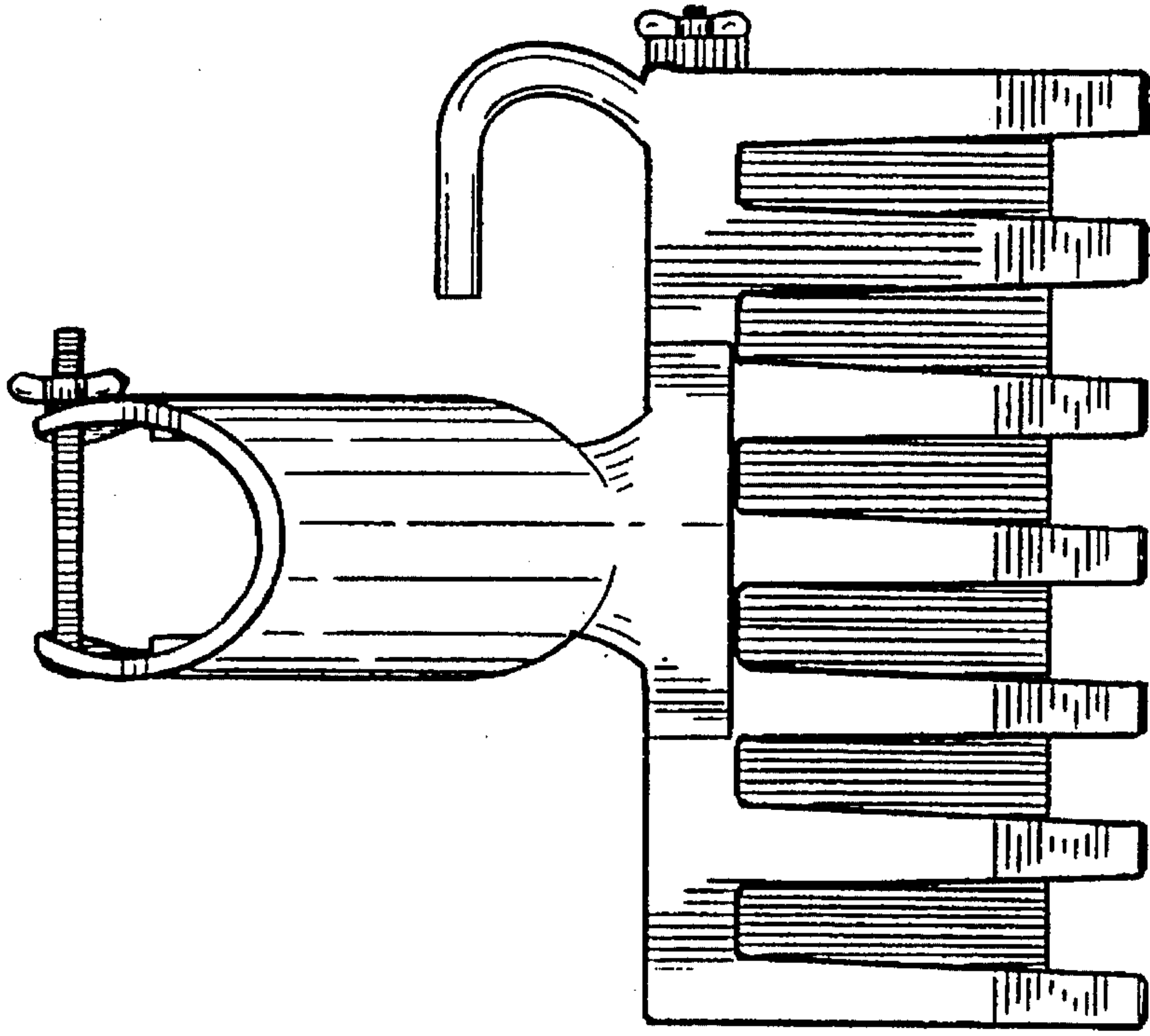


FIG. 2

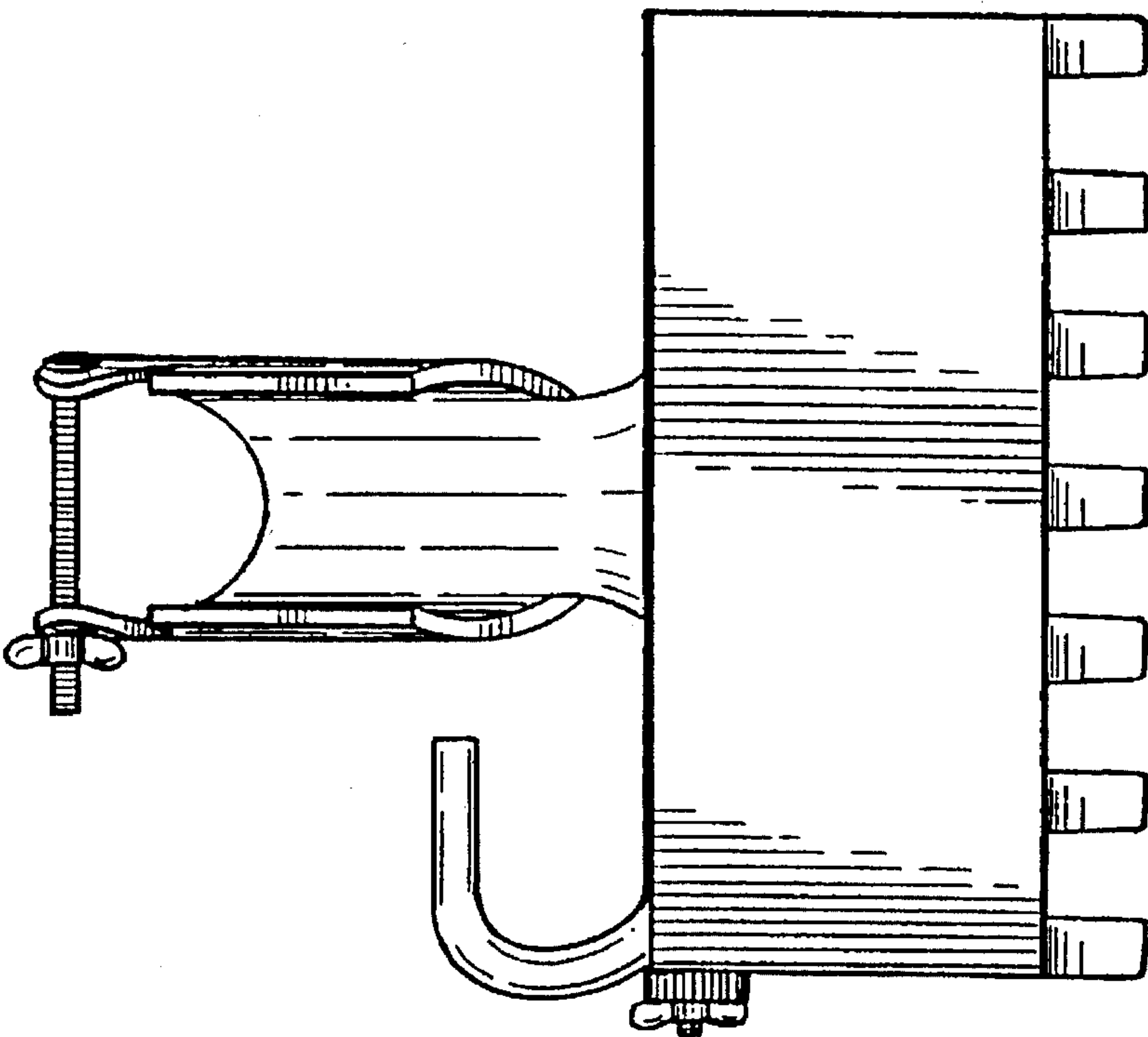


FIG. 3

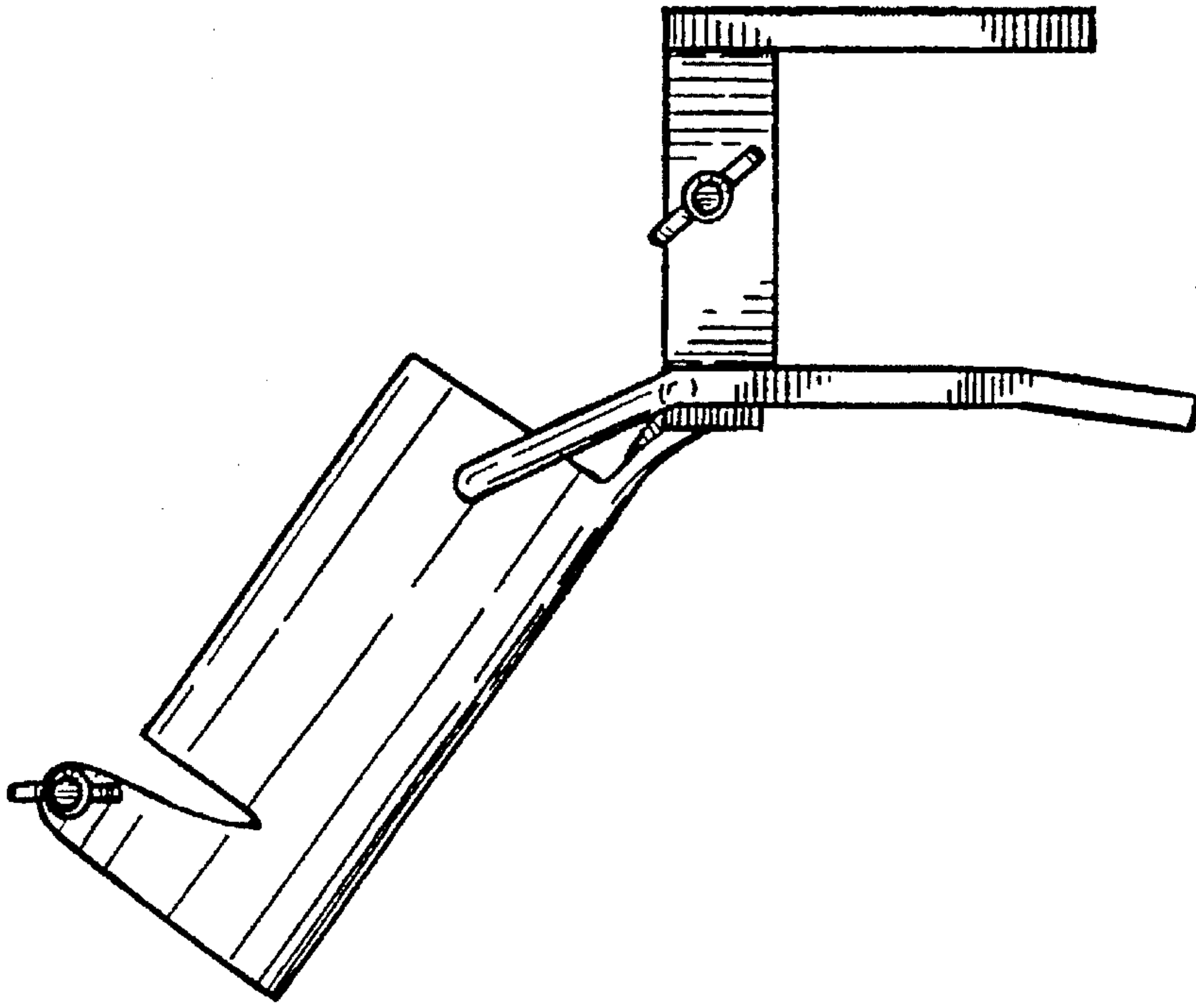


FIG. 5

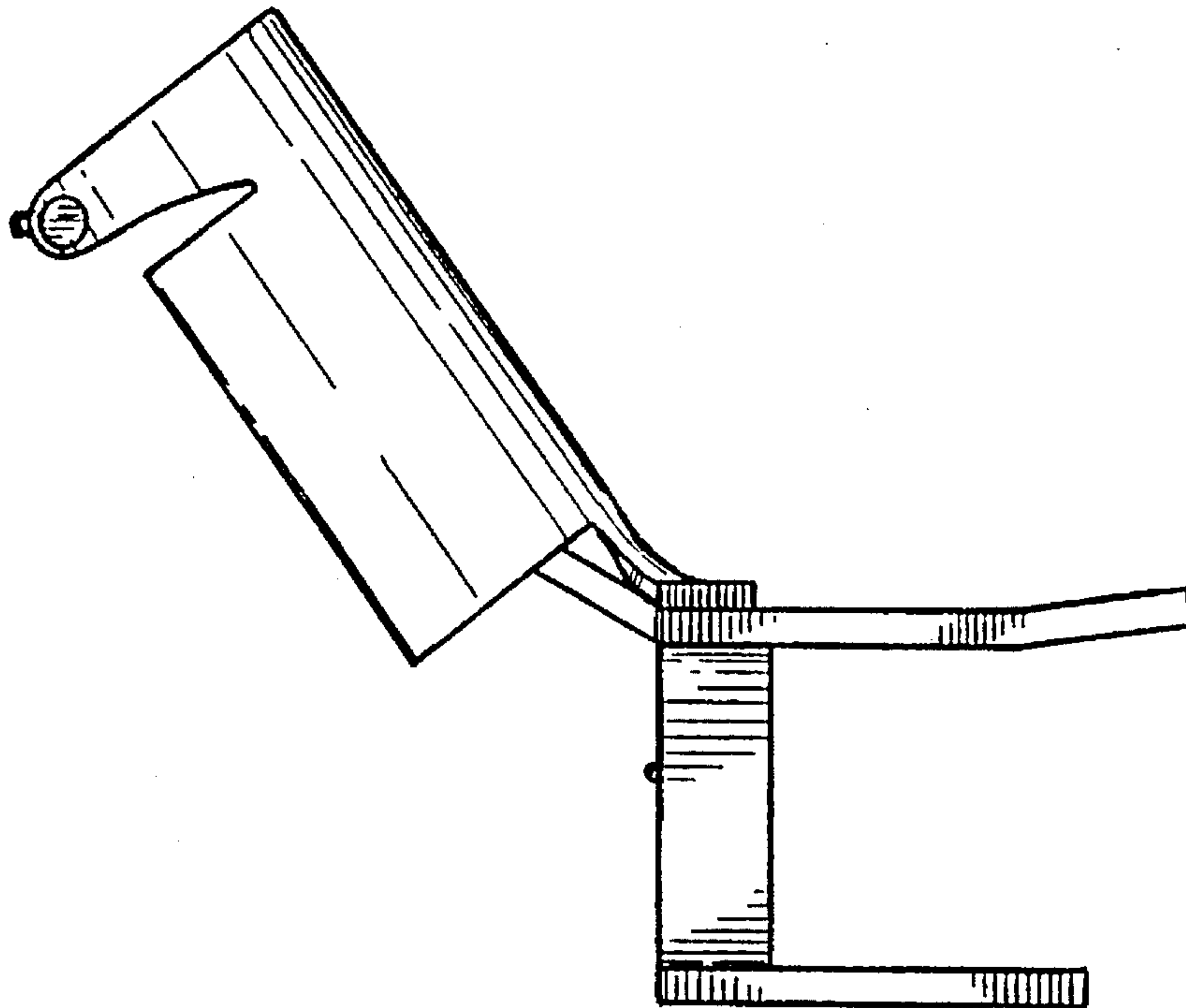


FIG. 4



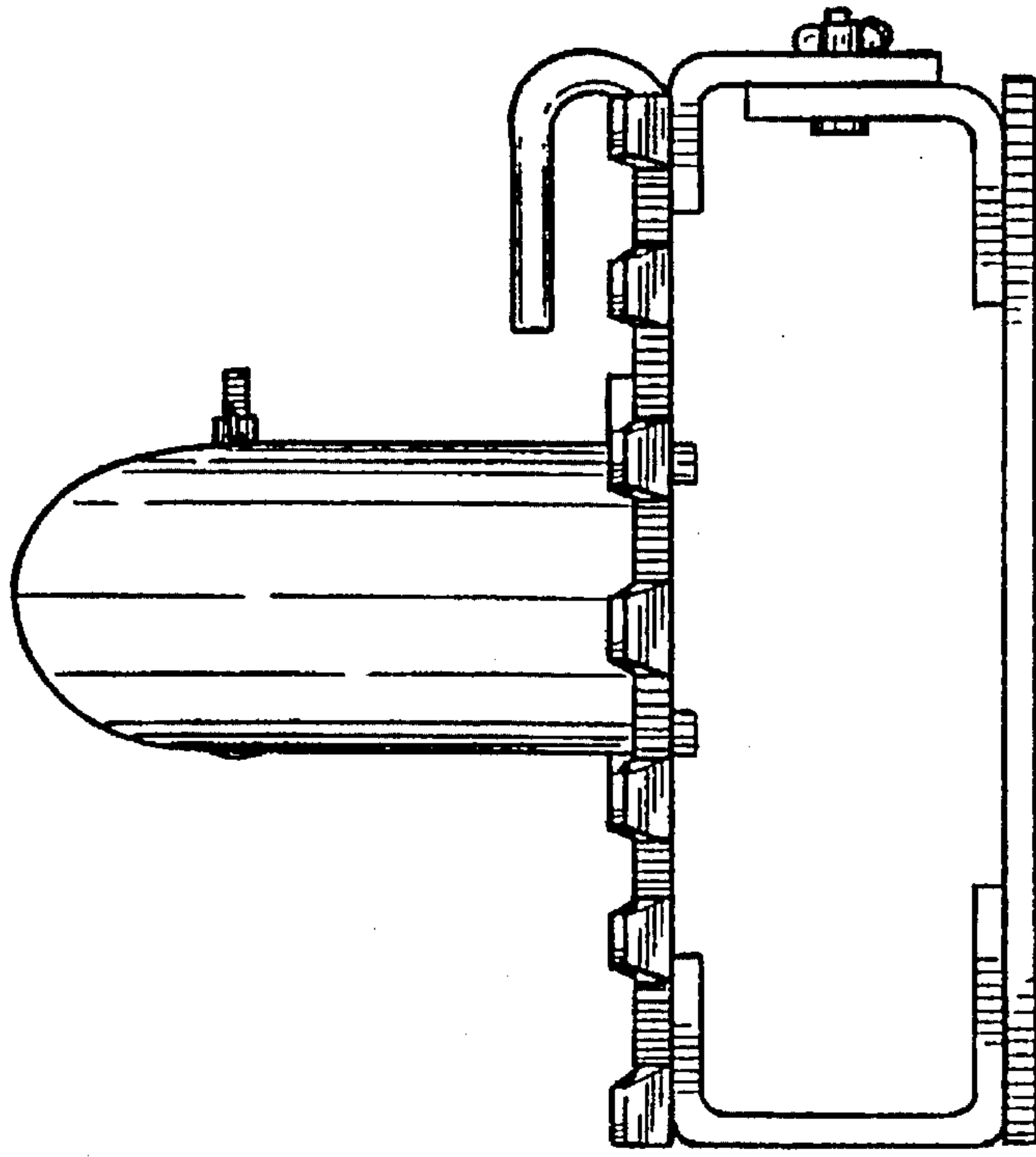


FIG. 7

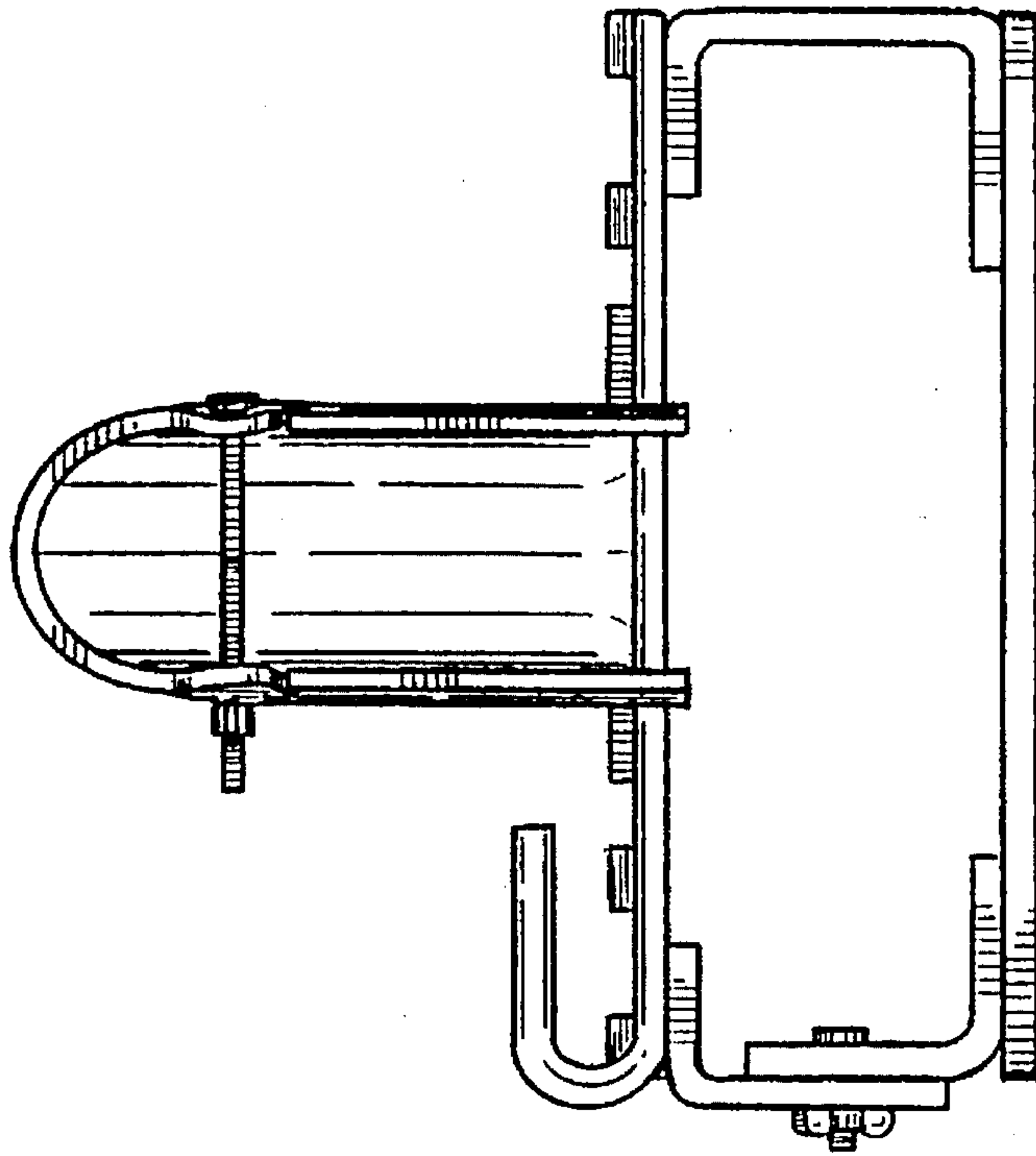


FIG. 6