



US00D368835S

United States Patent [19]

Weber

[11] Patent Number: **Des. 368,835**

[45] Date of Patent: ****Apr. 16, 1996**

[54] **TREE PROTECTOR**

2231875 1/1974 Germany 47/23

[76] Inventor: **Heinz Weber**, 64 Gables Court,
Beaconsfield, Que., Canada, H9W 5H4

Primary Examiner—A. Hugo Word
Assistant Examiner—Holly Baynham
Attorney, Agent, or Firm—Eric Fincham

[**] Term: **14 Years**

[57] **CLAIM**

[21] Appl. No.: **31,965**

An ornamental design for a tree protector, as shown and described.

[22] Filed: **Dec. 9, 1994**

[52] U.S. Cl. **D8/1**

DESCRIPTION

[58] Field of Search D8/1; 47/23, 30-31

[56] **References Cited**

U.S. PATENT DOCUMENTS

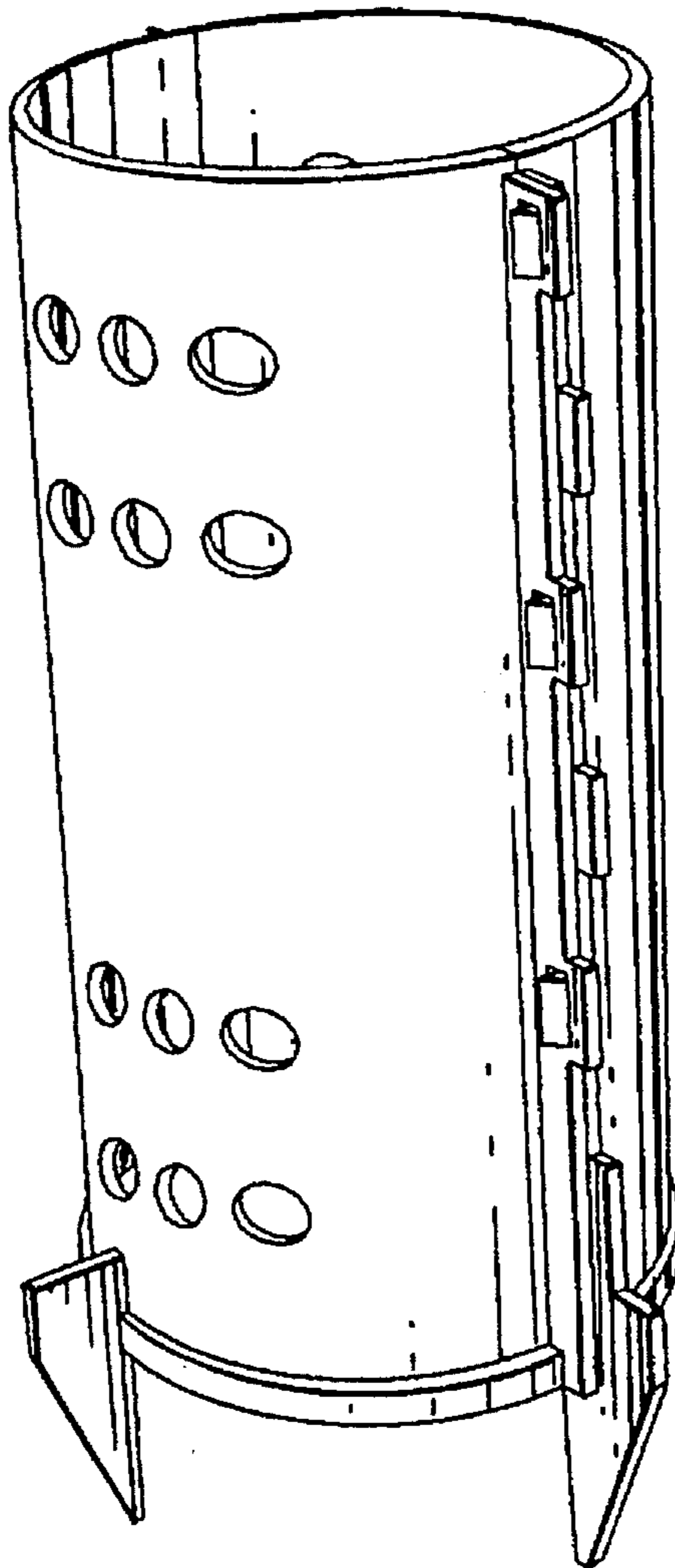
D. 162,243	2/1951	Simmons	D8/1
770,461	9/1904	Haggerty	47/23
1,673,729	6/1928	Barnes	47/23 X
1,879,813	9/1932	Molitor	47/23

FIG. 1 is a perspective view of the tree protector;
FIG. 2 is an end elevational view thereof with the opposite end being a mirror image;
FIG. 3 is a side elevational view thereof with the opposite side being a mirror image;
FIG. 4 is a top plan view thereof; and,
FIG. 5 is a bottom plan view thereof.

FOREIGN PATENT DOCUMENTS

197596 7/1919 Canada 47/30

1 Claim, 1 Drawing Sheet



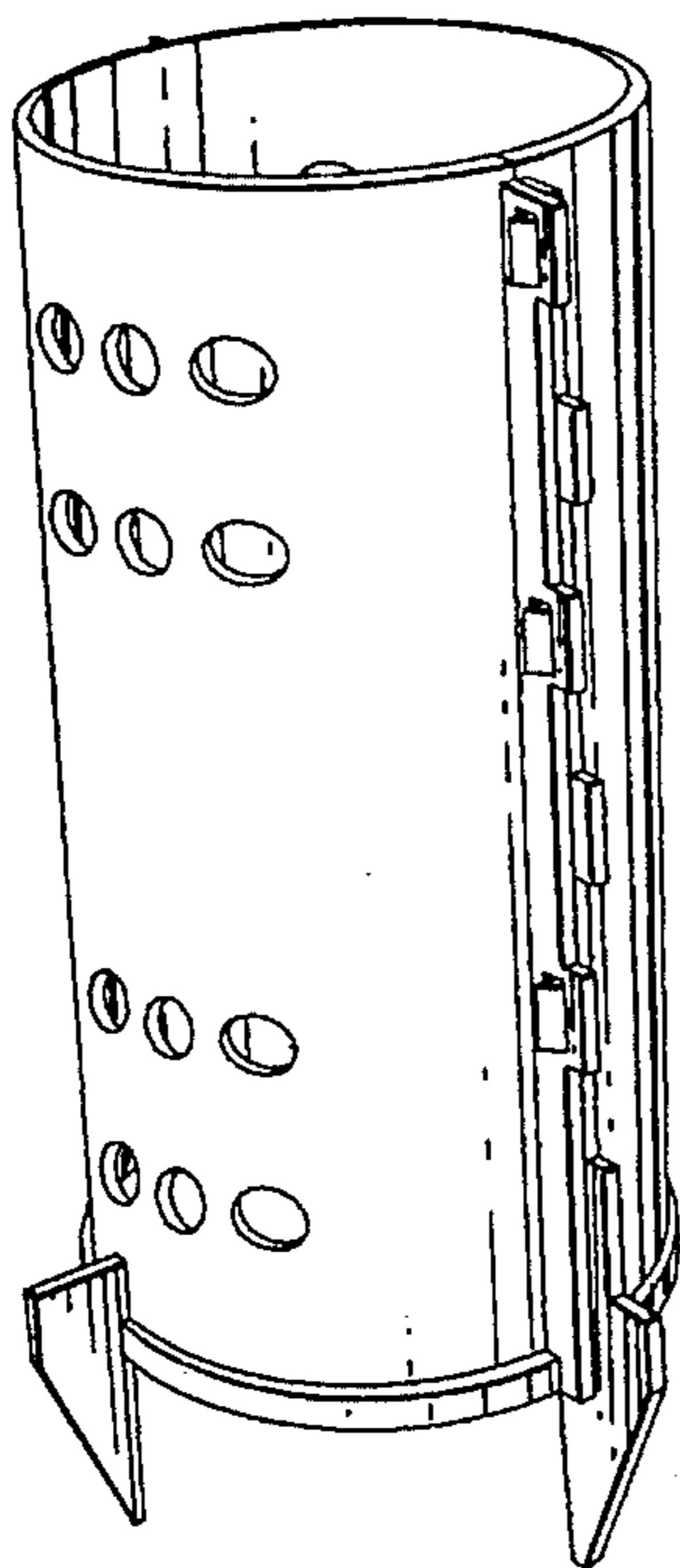


Fig-1

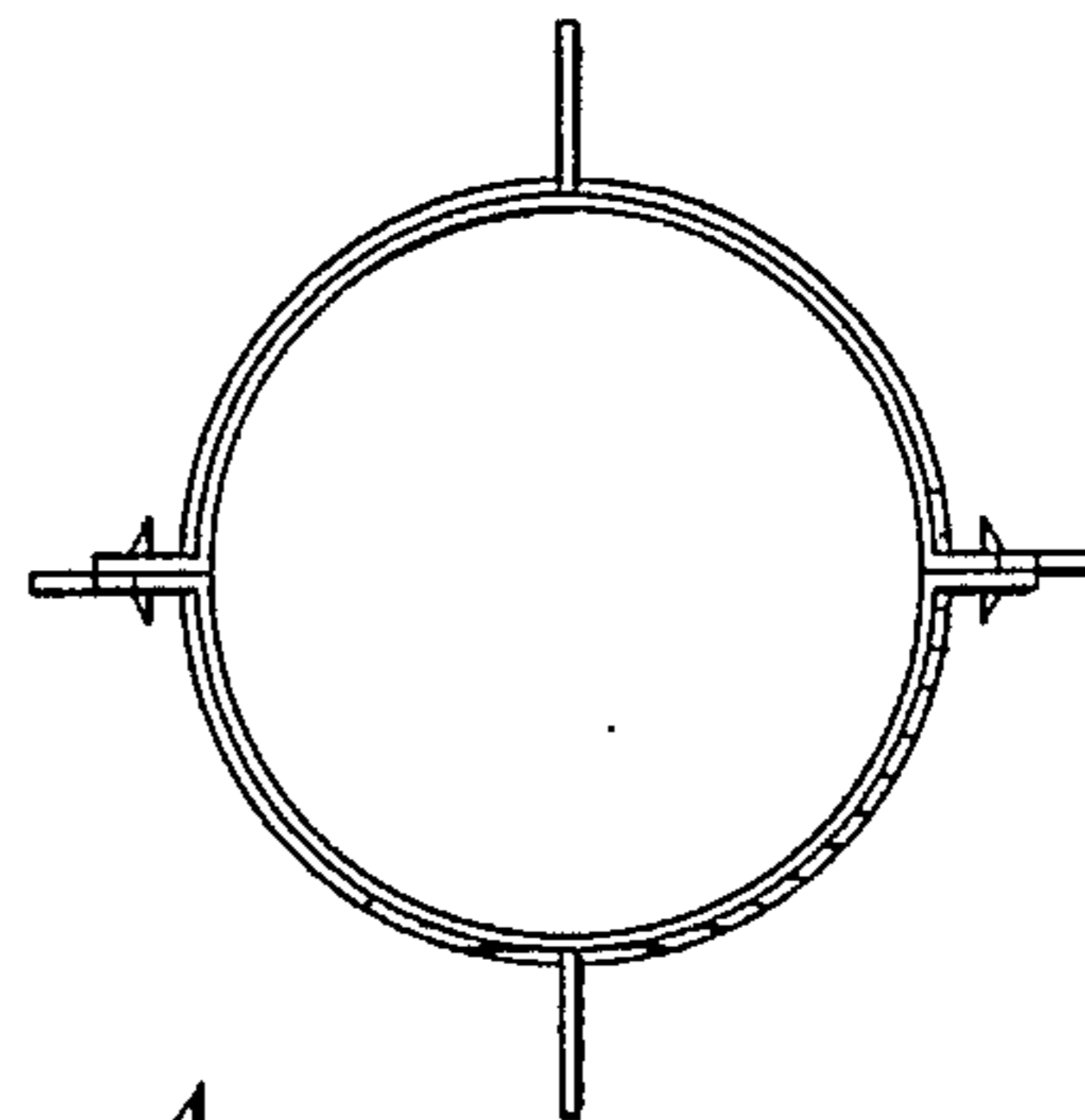


Fig-4

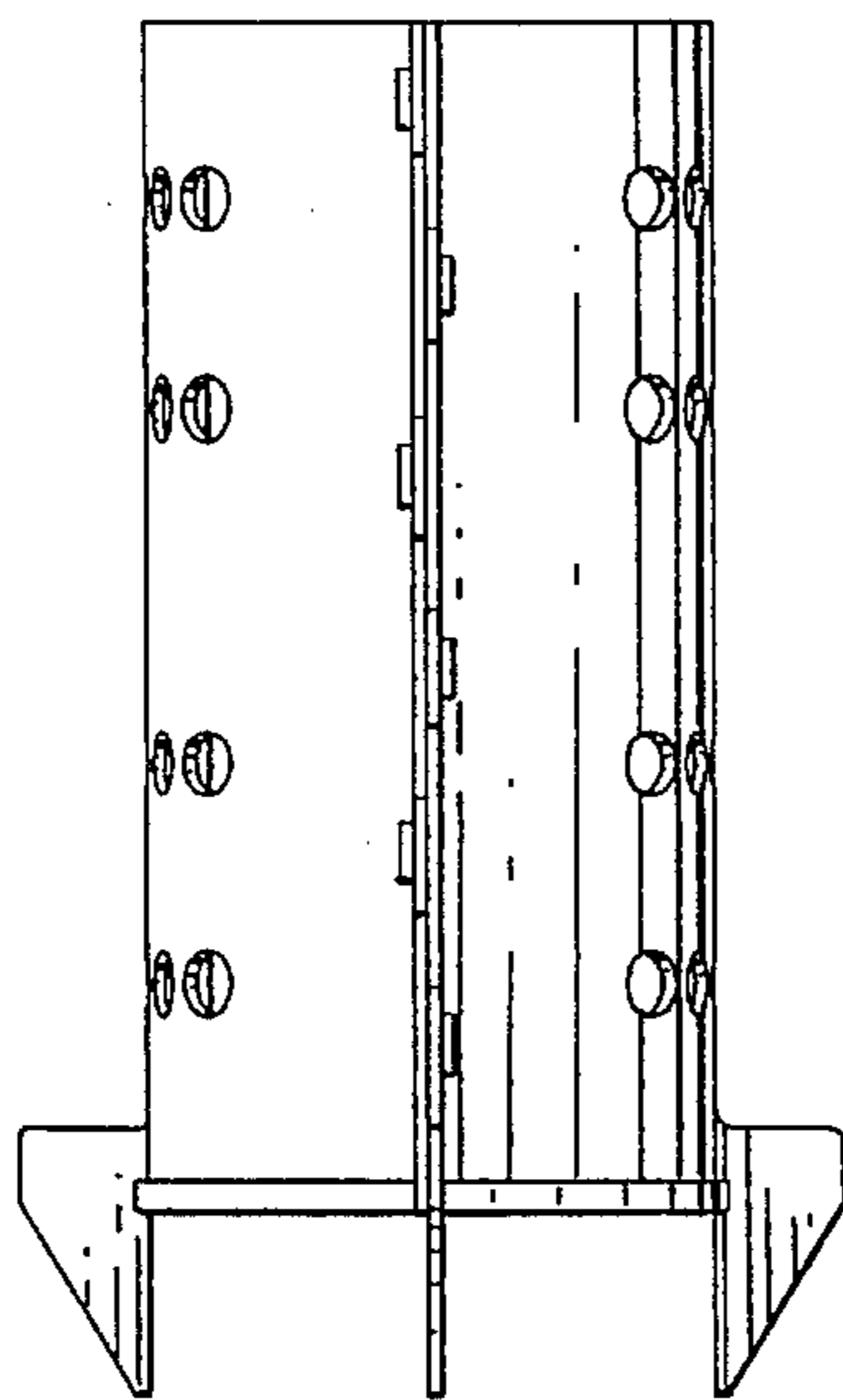


Fig-2

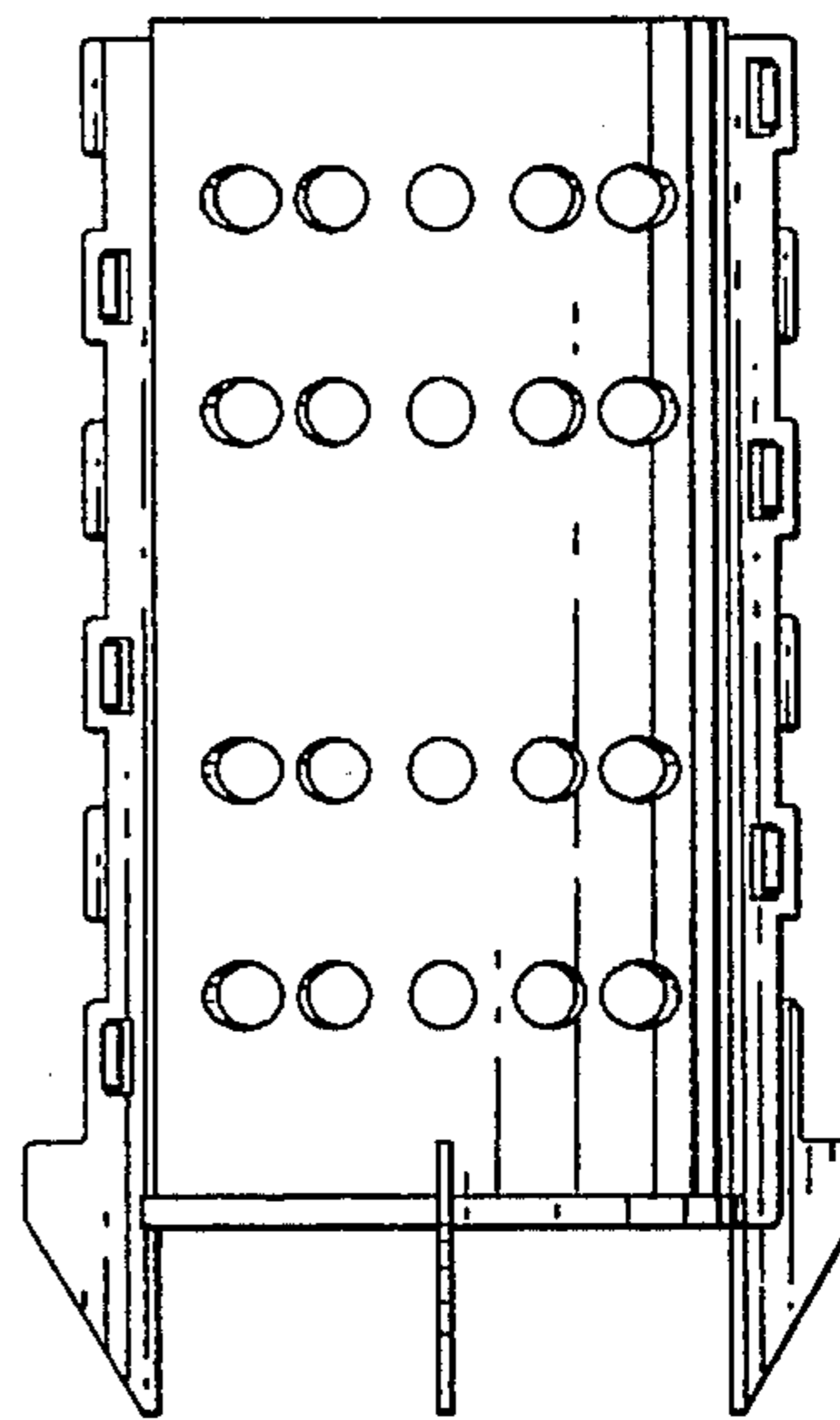


Fig-3

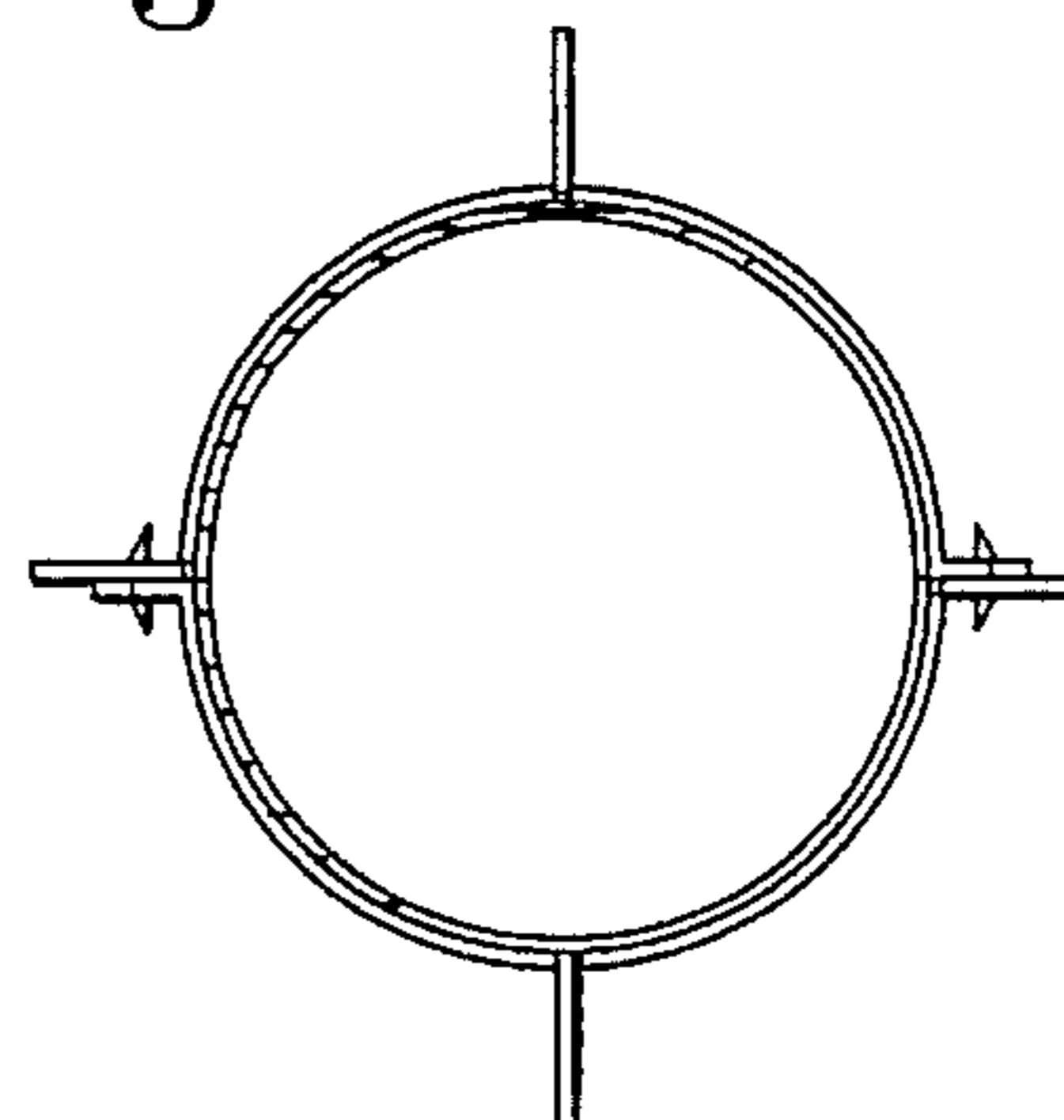


Fig-5