



US00D368833S

# United States Patent [19]

Gibson et al.

[11] Patent Number: **Des. 368,833**

[45] Date of Patent: **\*\*Apr. 16, 1996**

[54] **BABY SPOON**

4,922,611 5/1990 Levy ..... 30/147

[76] Inventors: **Dennis Gibson; Paige Y. Gibson**, both of 1980 Friendly Pl., Middleburg, Fla. 32068

*Primary Examiner*—Alan P. Douglas  
*Assistant Examiner*—Caron D. Veynar  
*Attorney, Agent, or Firm*—Harold H. Dutton, Jr.

[\*\*] Term: **14 Years**

[57] **CLAIM**

The ornamental design for a baby spoon, as shown.

[21] Appl. No.: **35,523**

**DESCRIPTION**

[22] Filed: **Mar. 1, 1995**

[52] U.S. Cl. .... **D7/663; D7/662**

FIG. 1 is a front view of a baby spoon showing my new design;

[58] Field of Search ..... D7/642, 643, 645, D7/648, 653, 662, 663, 664, 401.2; 30/324, 147-150; 229/401

FIG. 2 is a rear view thereof;

FIG. 3 is a left side view thereof;

FIG. 4 is a right side view thereof;

FIG. 5 is a top view thereof;

FIG. 6 is a bottom view thereof;

FIG. 7 is a front view of a second embodiment of a baby spoon showing my new design;

FIG. 8 is a rear view thereof;

FIG. 9 is a left side view thereof;

FIG. 10 is a right side view thereof;

FIG. 11 is a top view thereof; and,

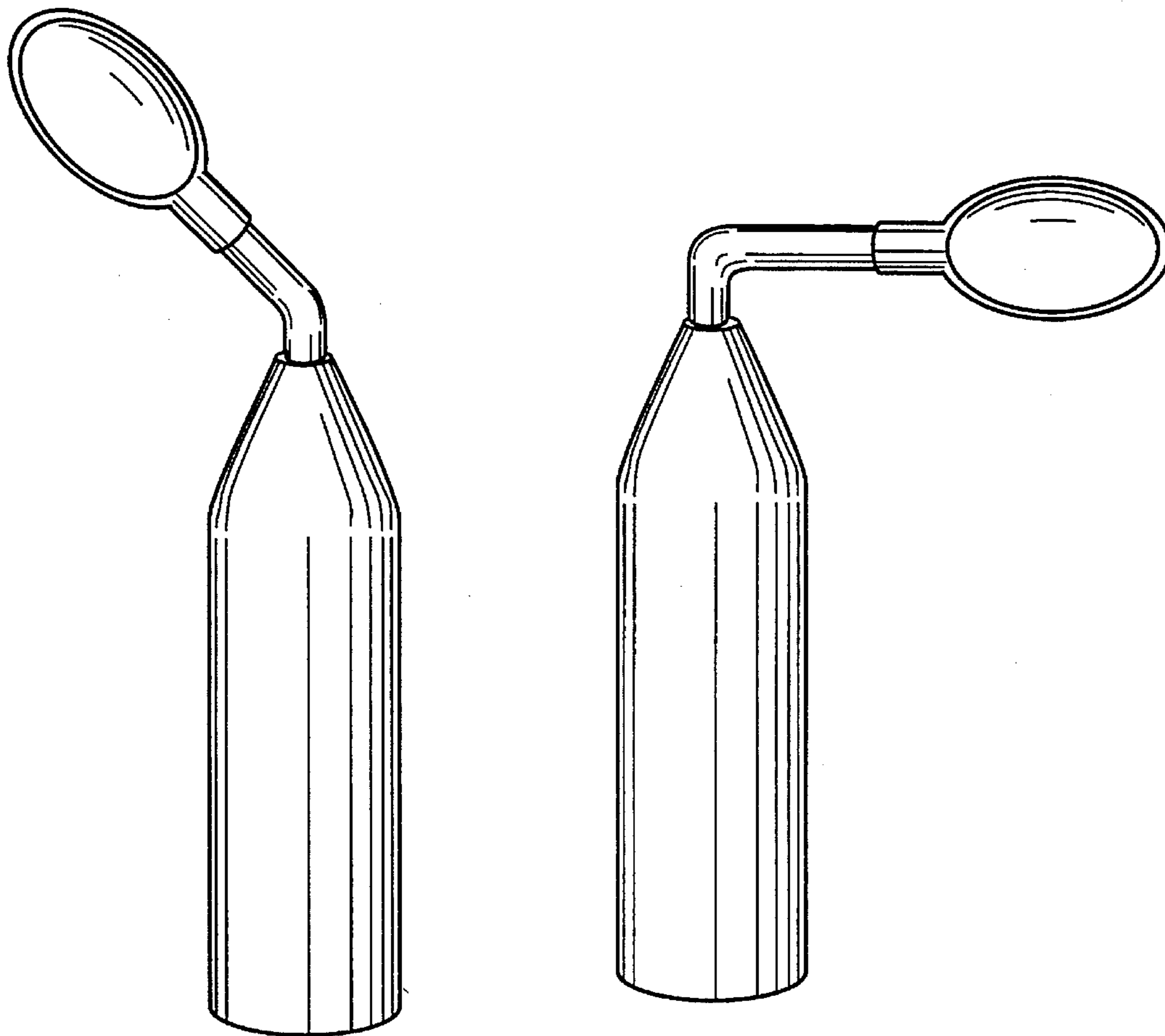
FIG. 12 is a bottom view thereof.

[56] **References Cited**

**U.S. PATENT DOCUMENTS**

D. 166,444	4/1952	Carre	.....	D7/663
D. 221,448	8/1971	Ishida	.....	D7/653 X
D. 255,414	6/1980	Anson	.....	D7/663
2,636,266	4/1953	Sweet	.....	30/324
2,724,894	11/1955	La Tour	.....	D7/663 X
2,741,027	4/1956	Margolin	.....	30/324
3,931,741	1/1976	Ceccarelli	.....	229/401 X
4,389,777	6/1983	Landsberger	.....	30/324

**1 Claim, 6 Drawing Sheets**



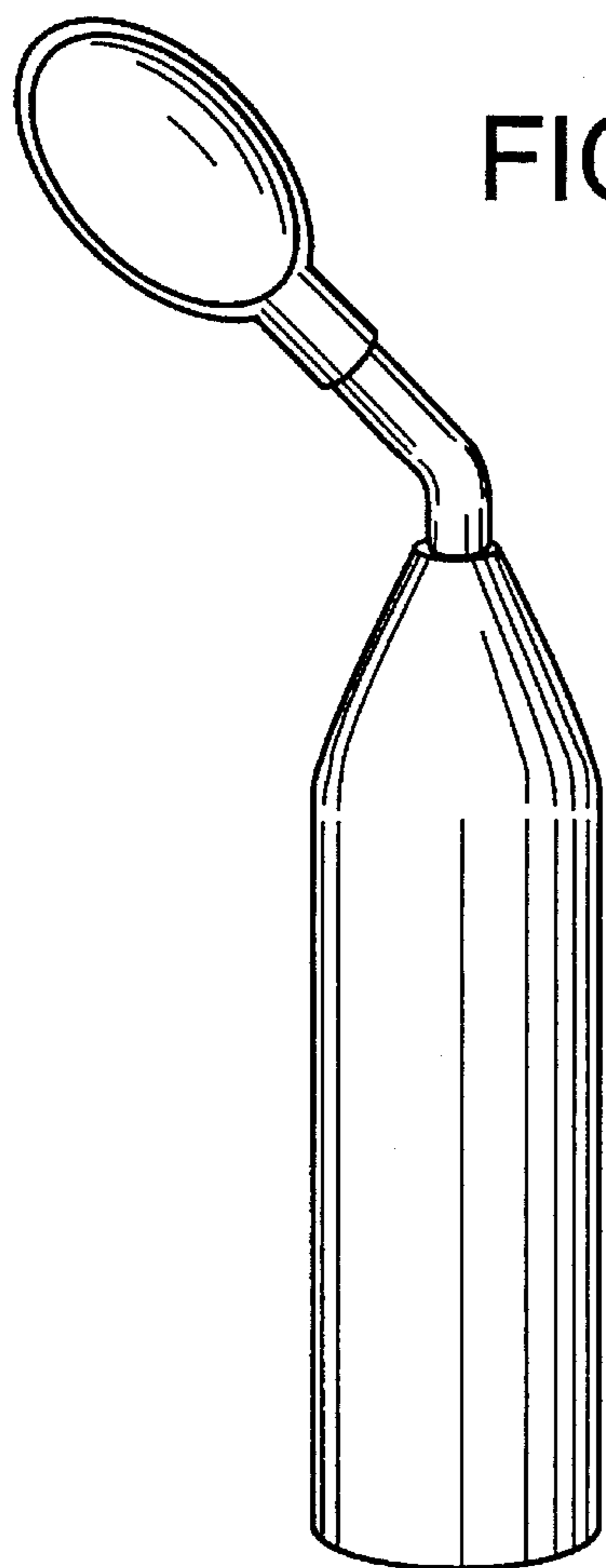


FIG. 1

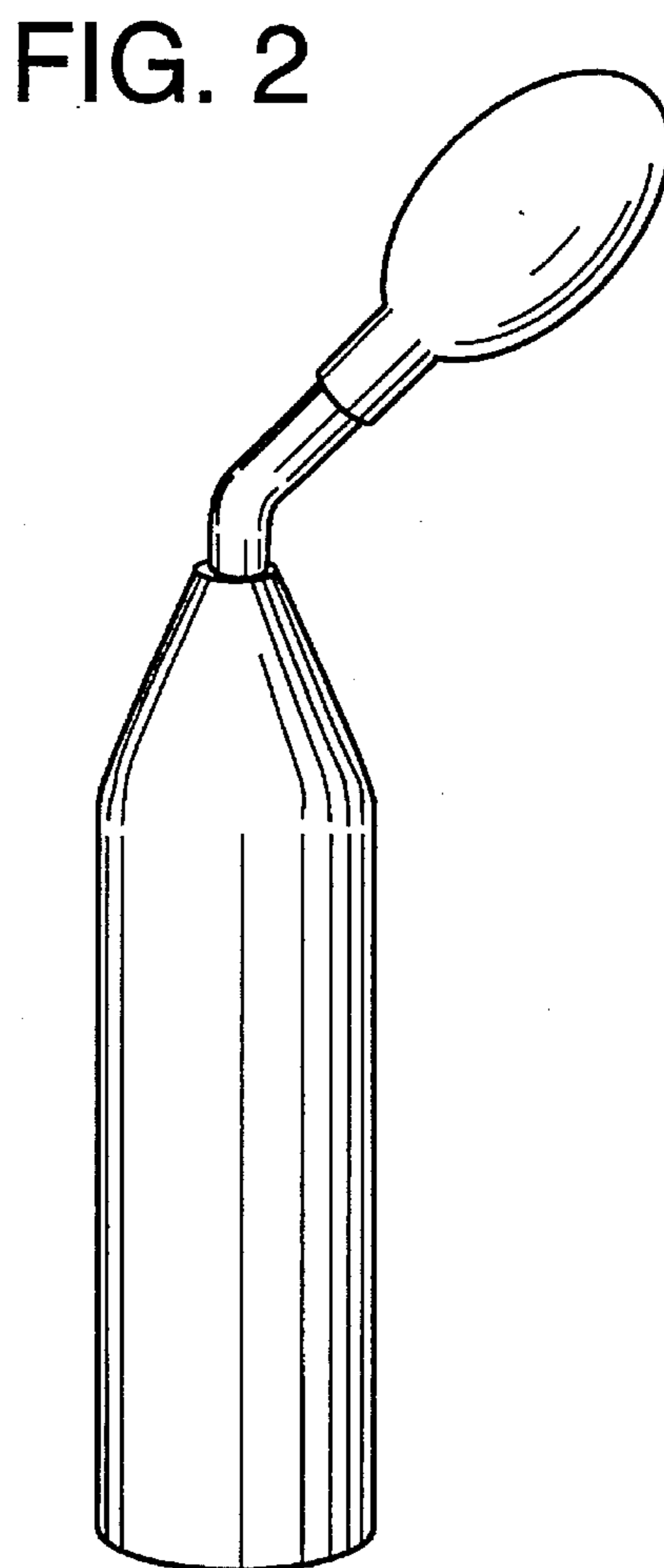


FIG. 2

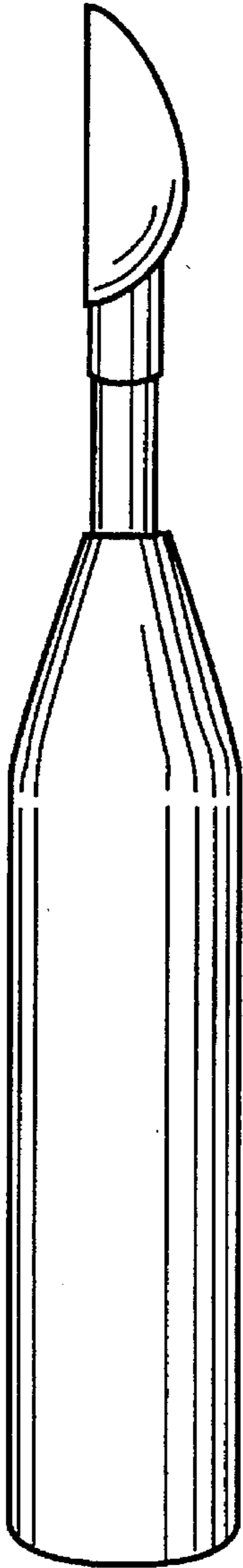


FIG. 3

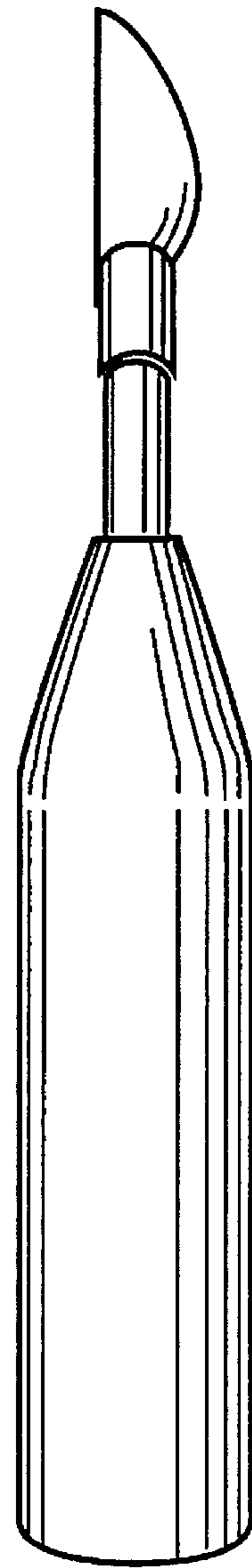


FIG. 4

FIG. 5

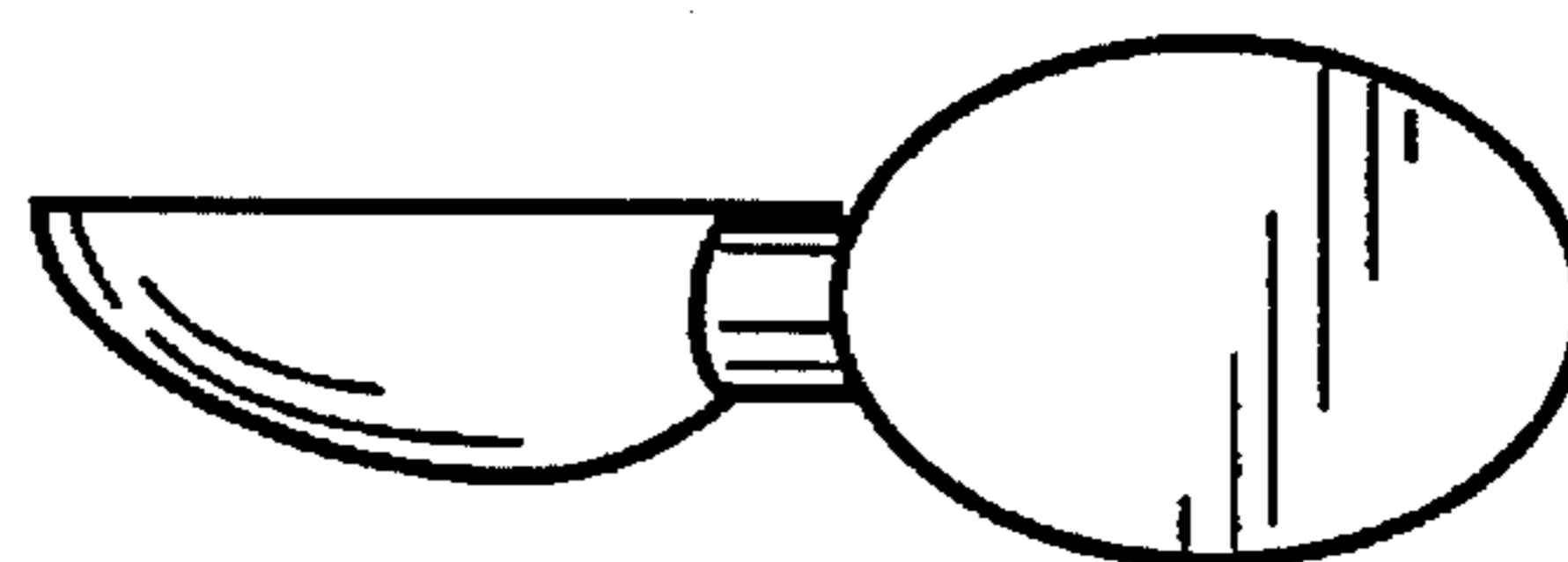
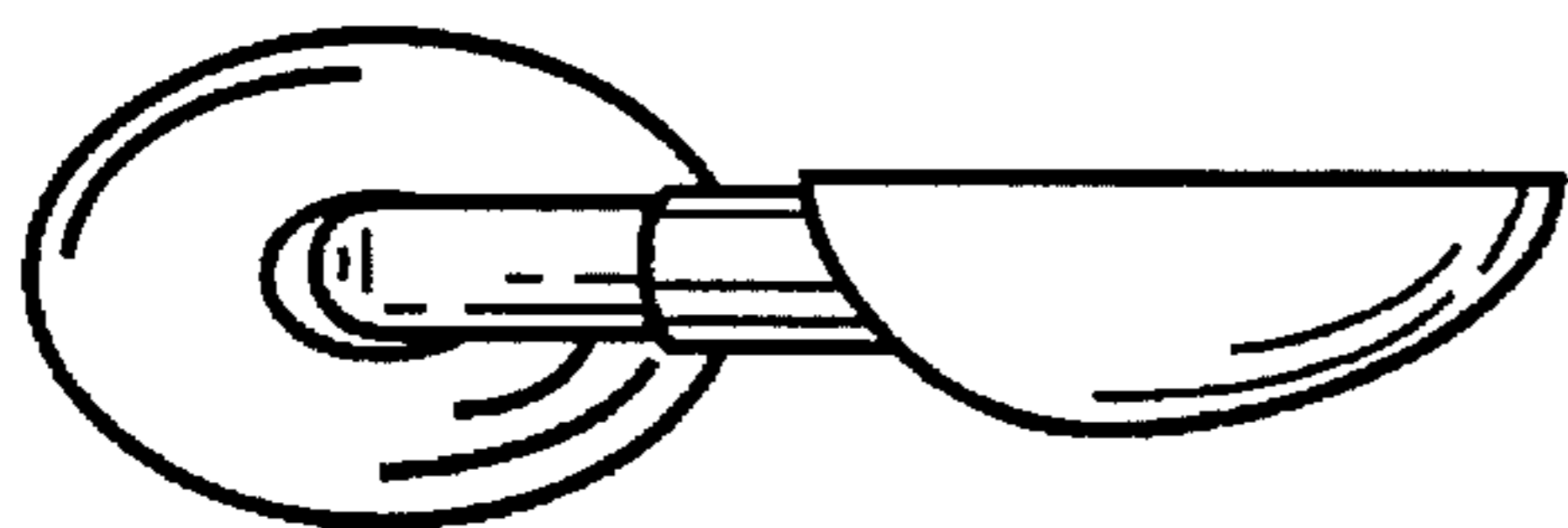


FIG. 6

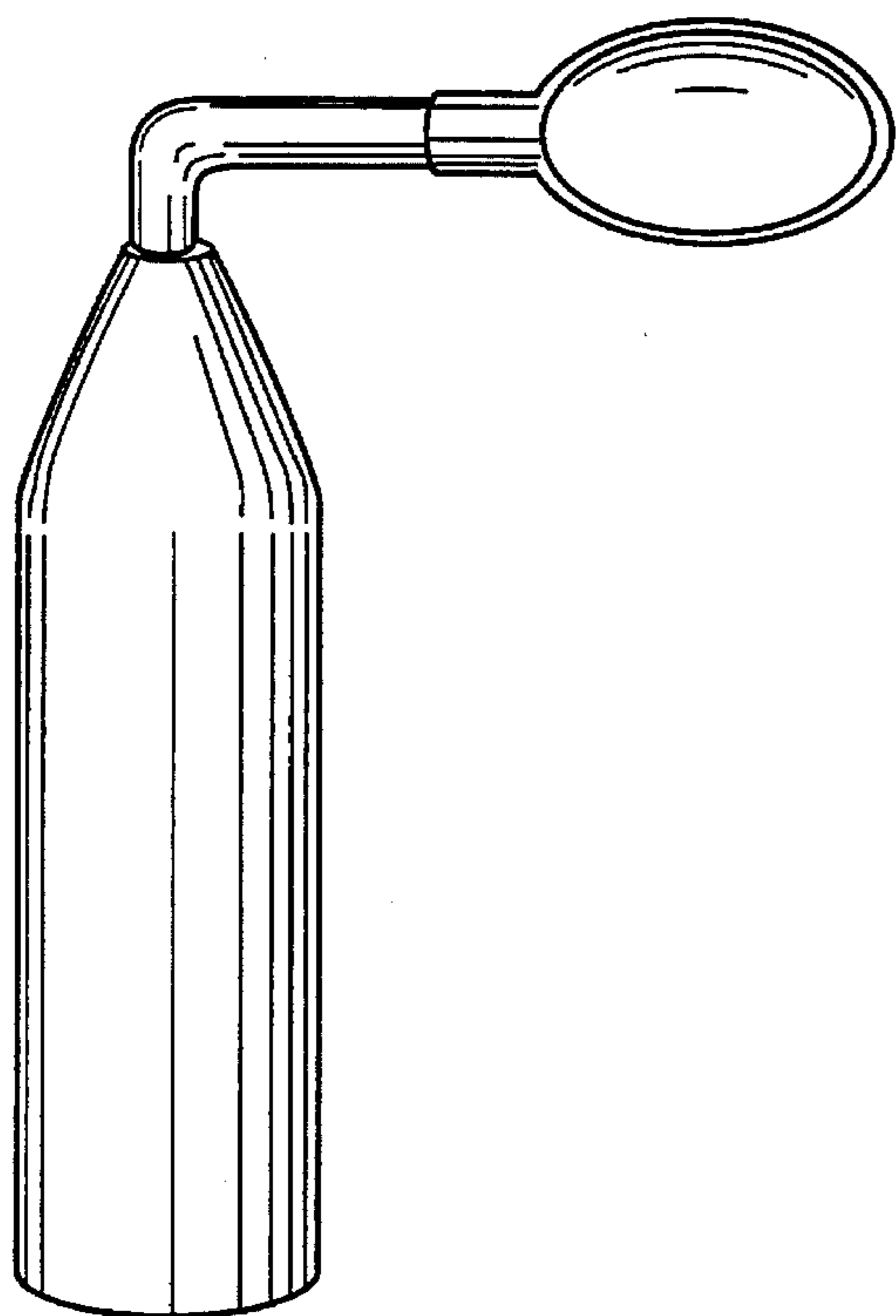


FIG. 7

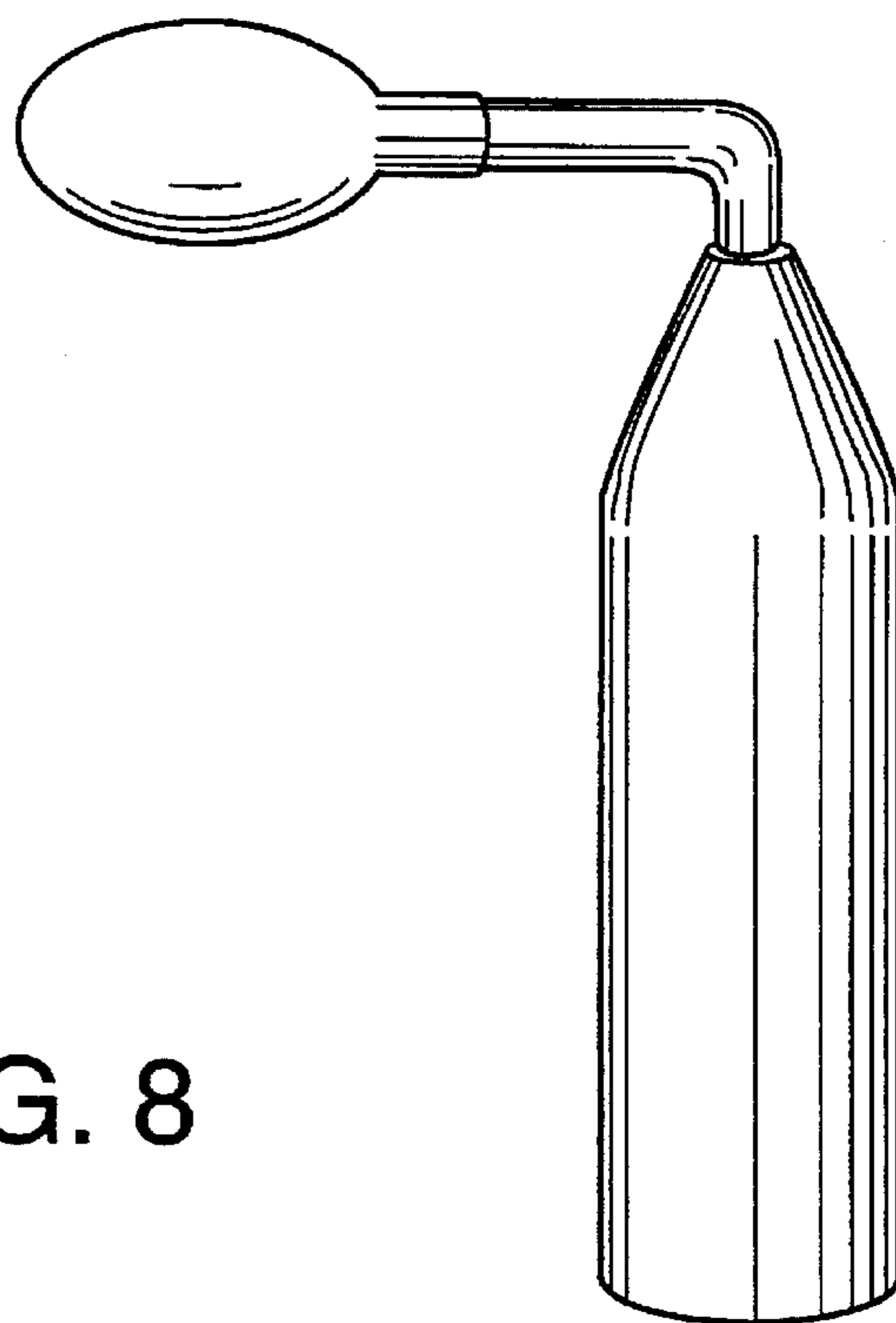


FIG. 8

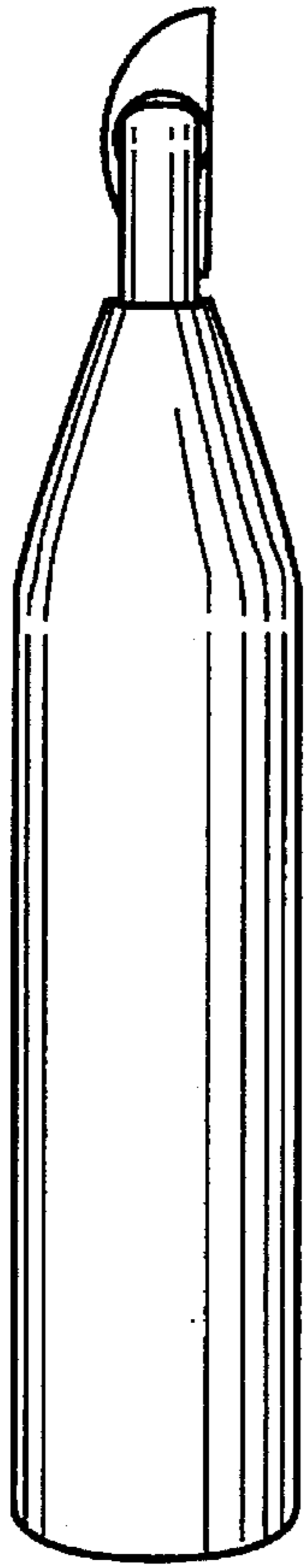


FIG. 9

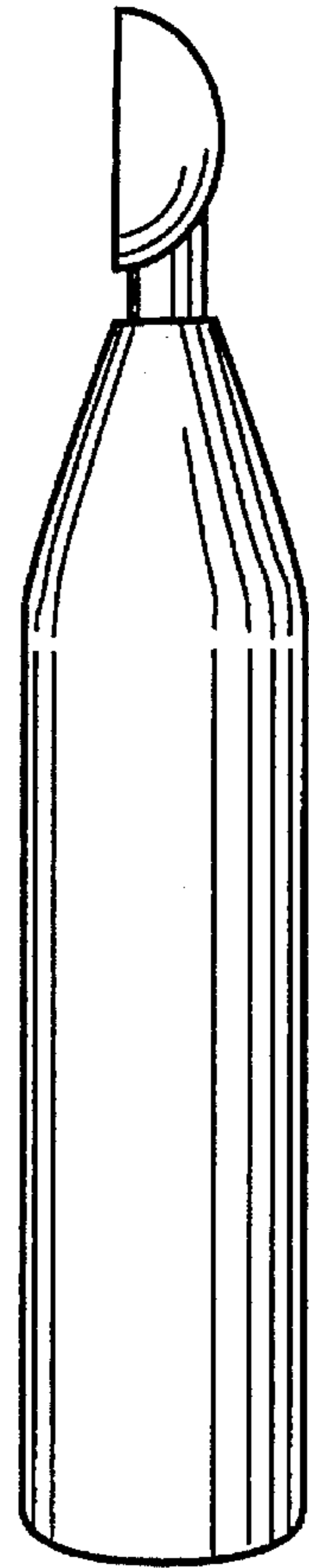


FIG. 10

FIG. 11

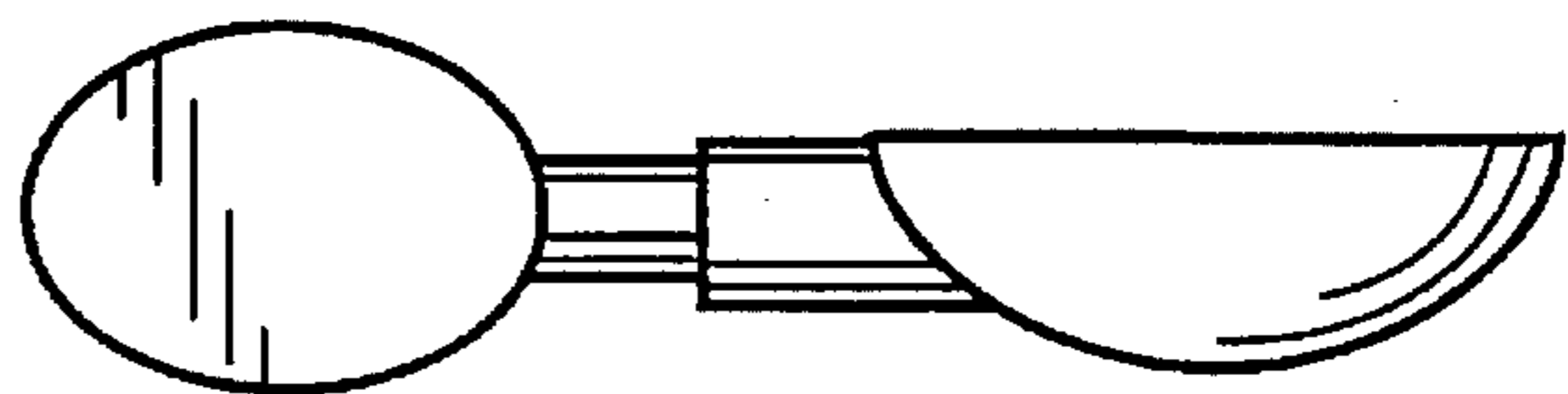
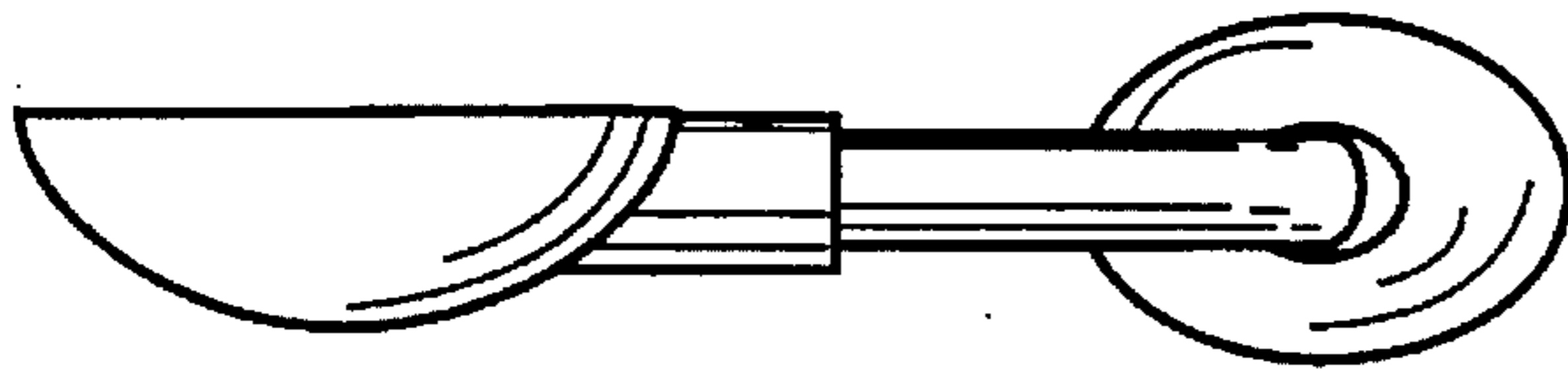


FIG. 12