



US00D368830S

# United States Patent [19]

[11] Patent Number: **Des. 368,830**

Lu

[45] Date of Patent: **\*\*Apr. 16, 1996**

[54] CUP

[76] Inventor: **Chih W. Lu**, P.O. Box 82-144, Taipei, Taiwan

[\*\*] Term: **14 Years**

[21] Appl. No.: **30,545**

[22] Filed: **Nov. 1, 1994**

[52] U.S. Cl. .... **D7/536; D7/533**

[58] Field of Search ..... D7/619, 622, 507, D7/509, 510, 511, 513, 512, 514, 515, 516, 523, 524, 531, 532, 533, 534, 535, 536; 215/396, 398; 220/713, 711; D9/537

4,027,779 6/1977 De Long ..... D7/507 X  
 4,040,549 8/1977 Sadler ..... D7/507  
 4,239,032 12/1980 Irving ..... 215/398 X  
 4,263,734 4/1981 Bradshaw ..... 215/398 X  
 4,932,542 6/1990 Chen et al. .... D7/536 X  
 4,943,684 7/1990 Kramer ..... D7/536 X

*Primary Examiner*—Alan P. Douglas  
*Assistant Examiner*—M. N. Pandozzi  
*Attorney, Agent, or Firm*—Alfred Lei

[56] **References Cited**

**U.S. PATENT DOCUMENTS**

D. 69,815 4/1926 Bultman ..... D7/536 X  
 D. 134,181 10/1942 Schwartz ..... D9/537  
 D. 254,463 3/1980 Wilson ..... D7/536  
 D. 257,524 11/1980 Heinrich ..... D7/536  
 D. 350,457 9/1994 Bailey ..... D7/536 X

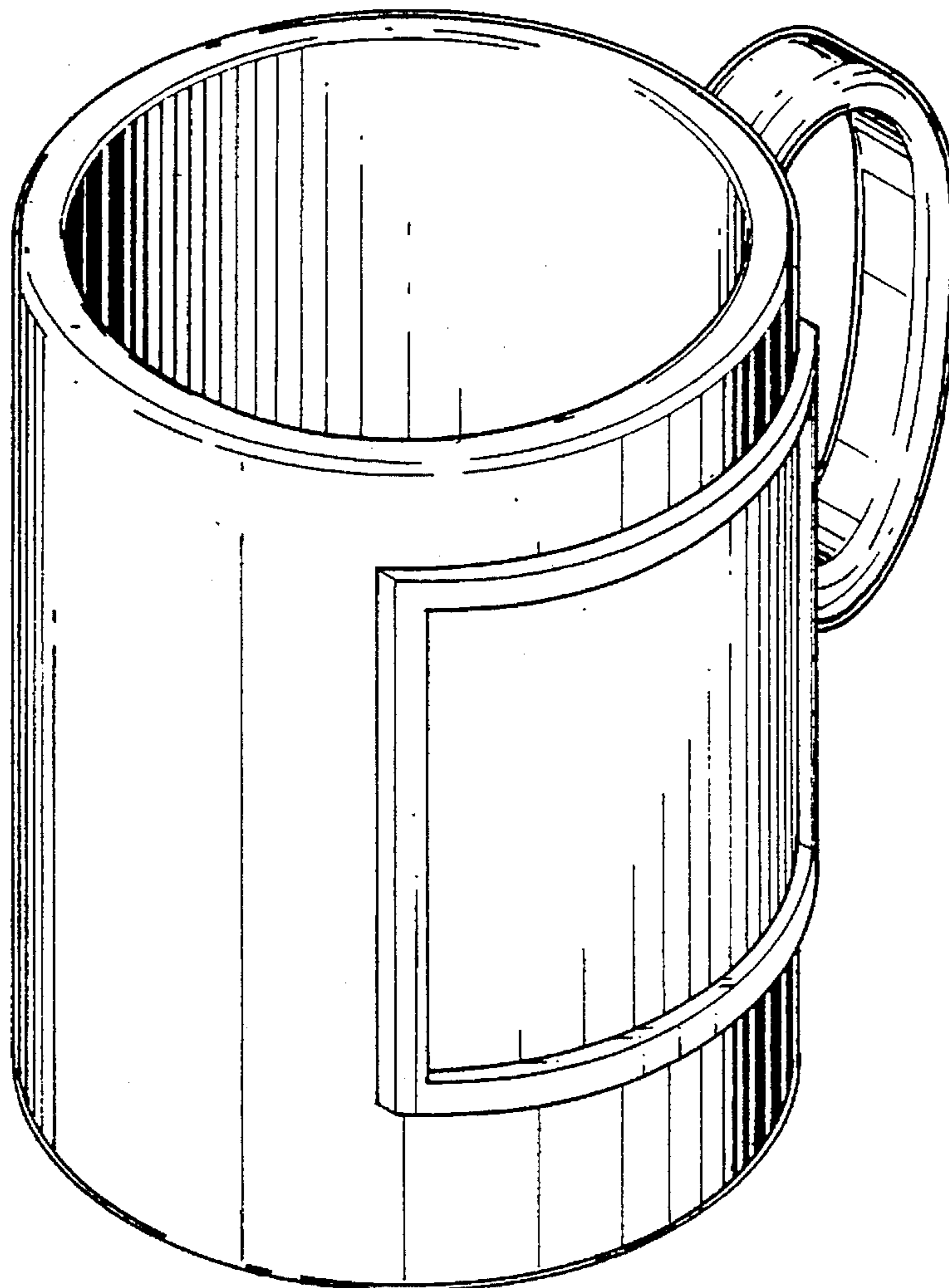
[57] **CLAIM**

The ornamental design for a cup, as shown and described.

**DESCRIPTION**

FIG. 1 is a perspective view of a cup my new design;  
 FIG. 2 is a front view thereof;  
 FIG. 3 is a rear view thereof;  
 FIG. 4 is a left side elevational view thereof;  
 FIG. 5 is a right side elevational view thereof;  
 FIG. 6 is a top plan view thereof; and,  
 FIG. 7 is a bottom plan view thereof.

**1 Claim, 4 Drawing Sheets**



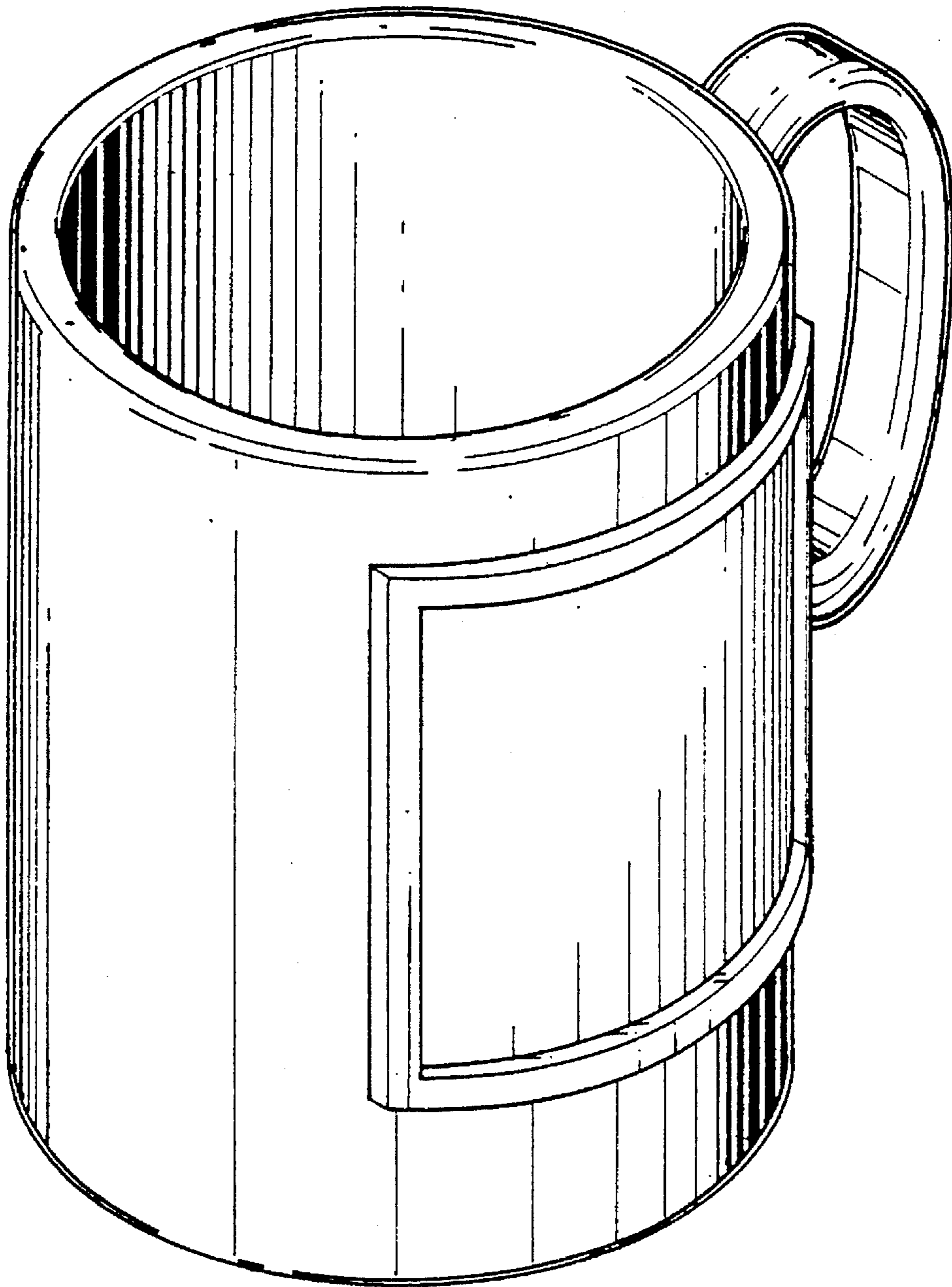


FIG. 1

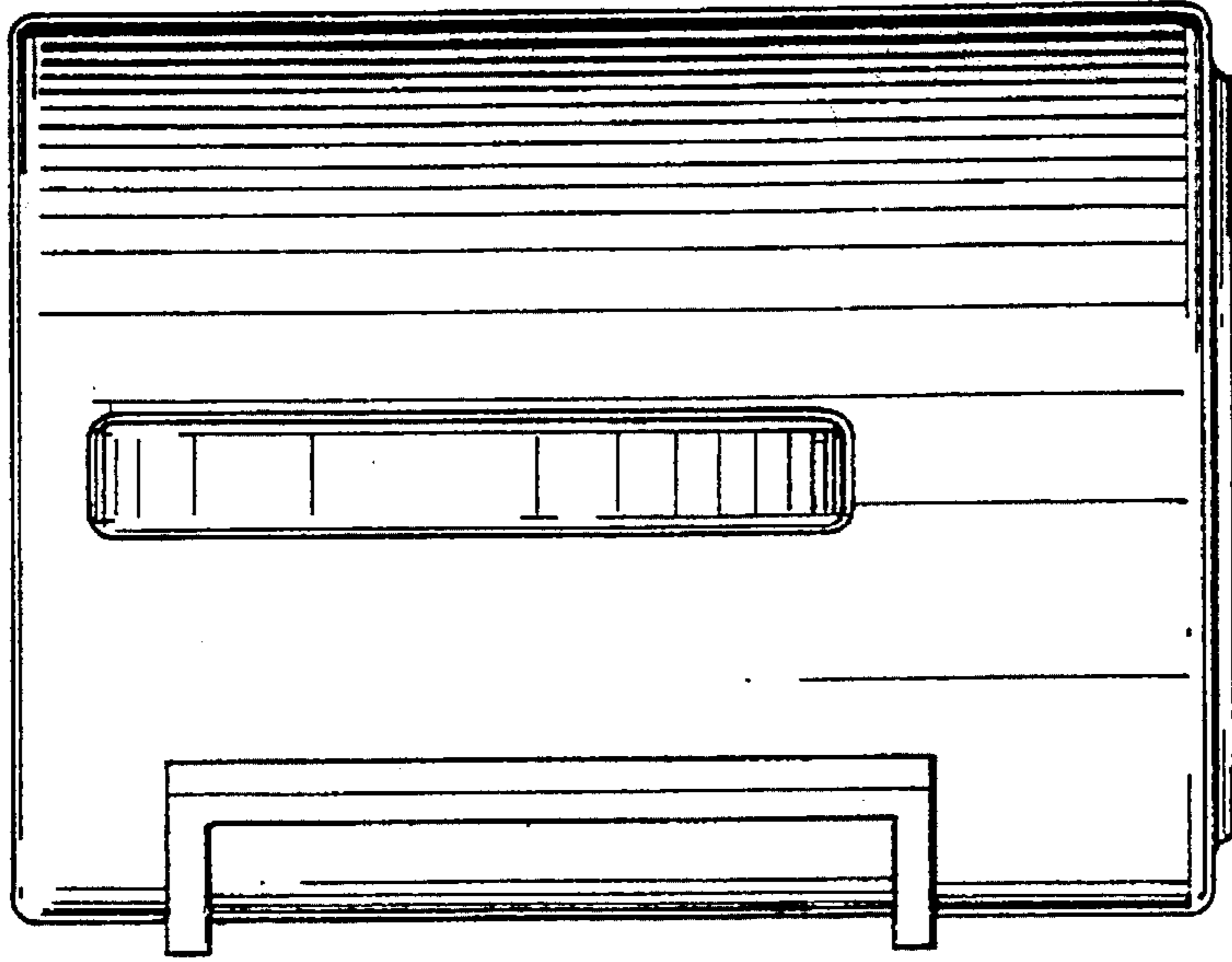


FIG. 2

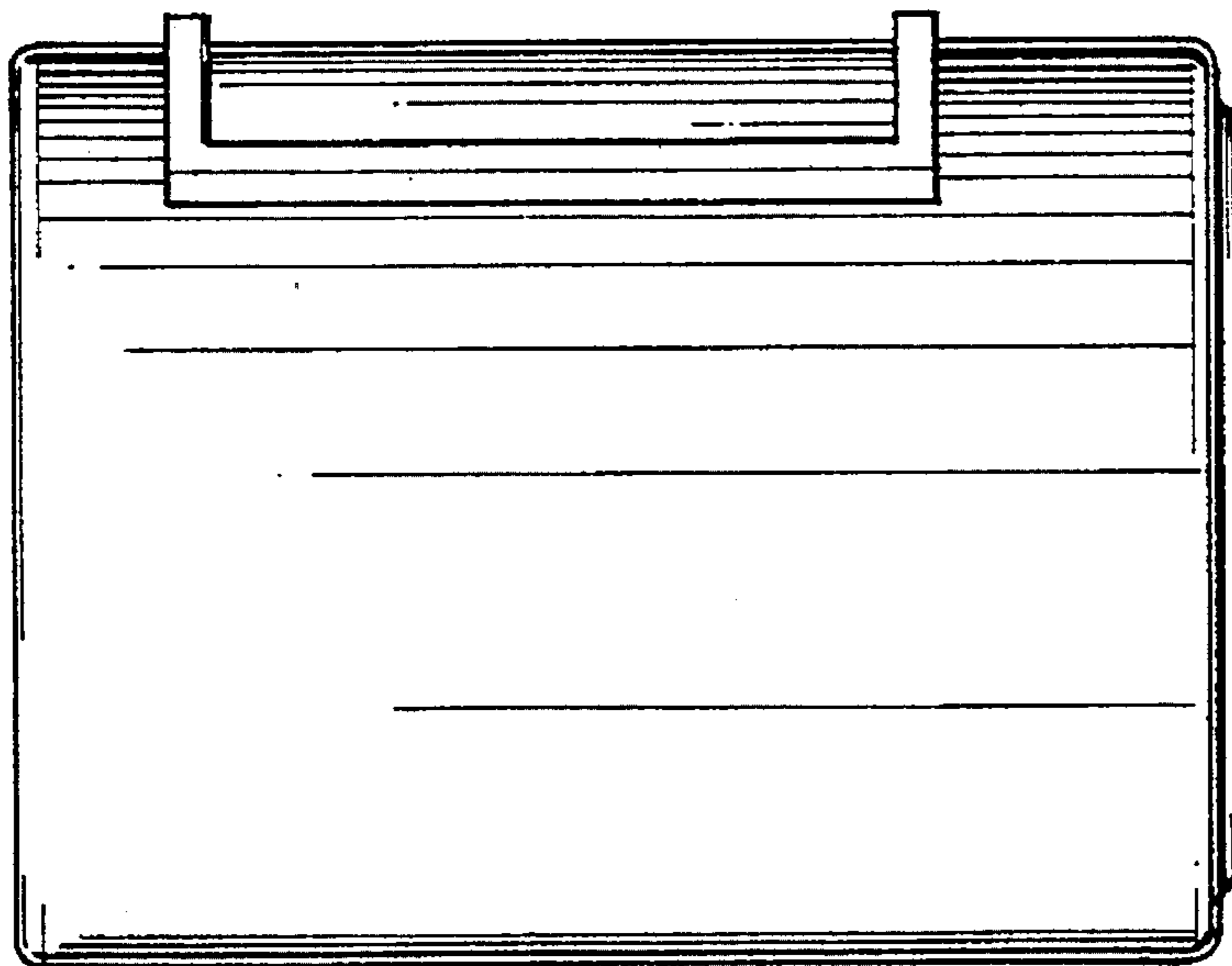


FIG. 3

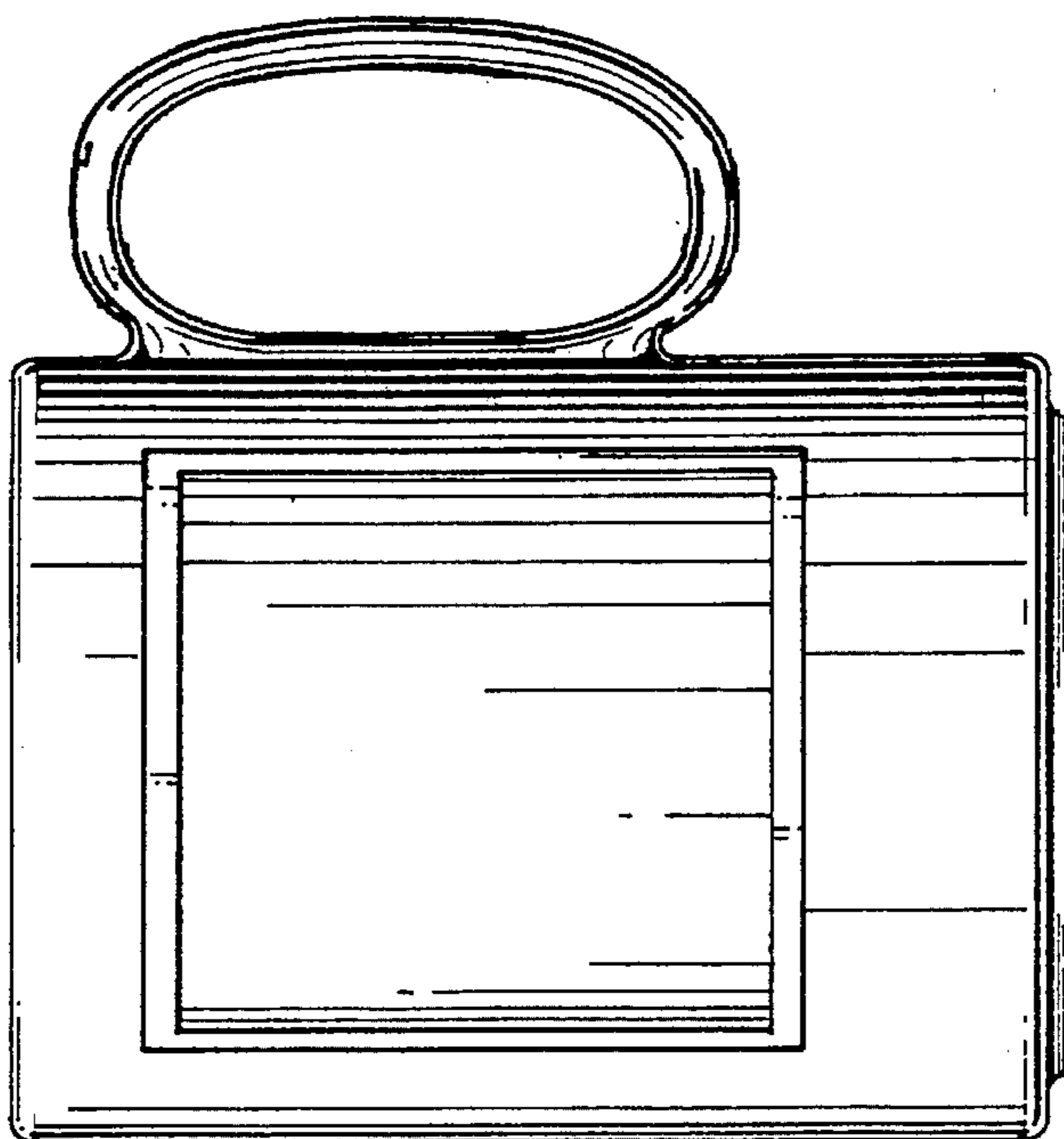


FIG. 5

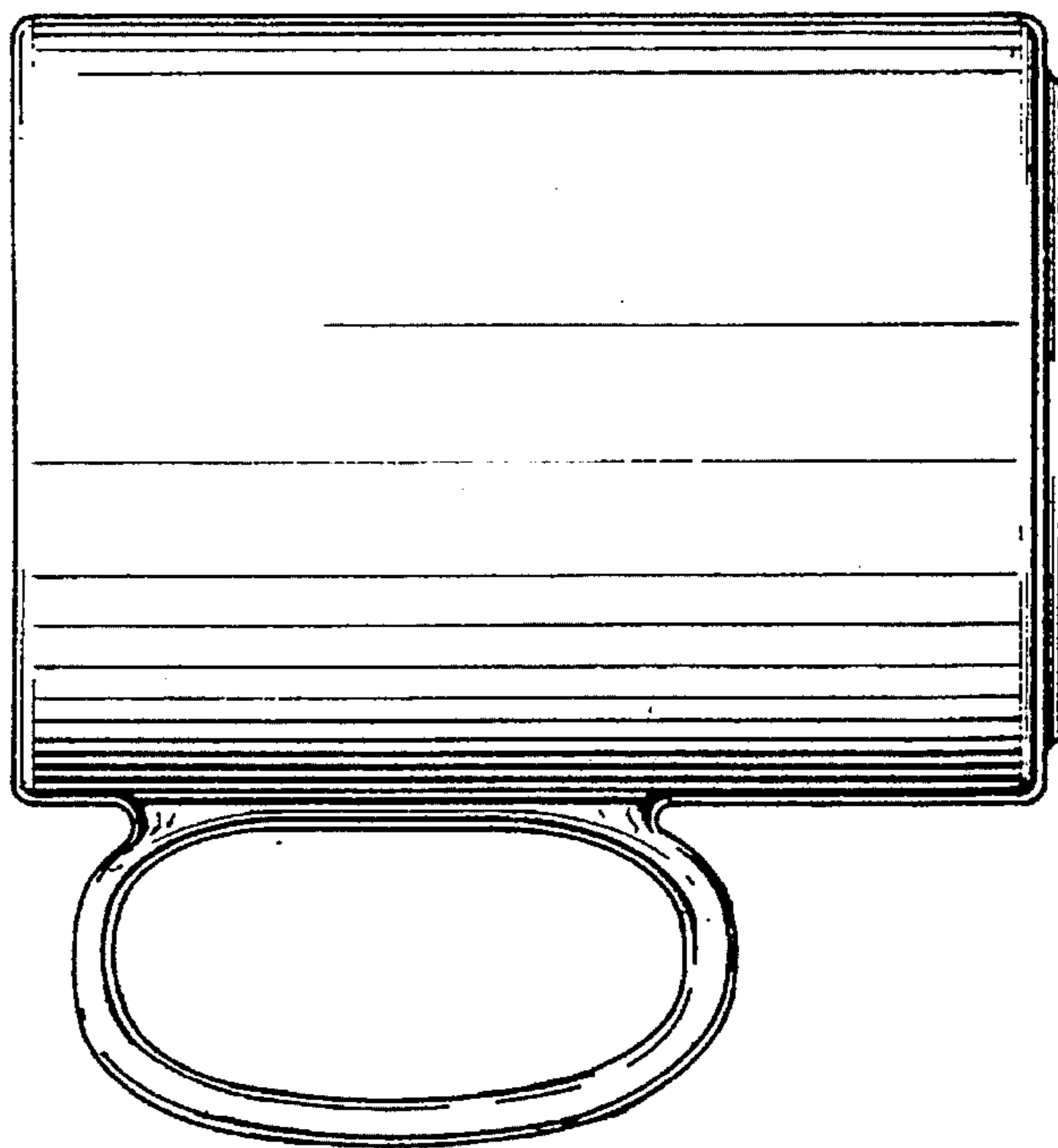


FIG. 4

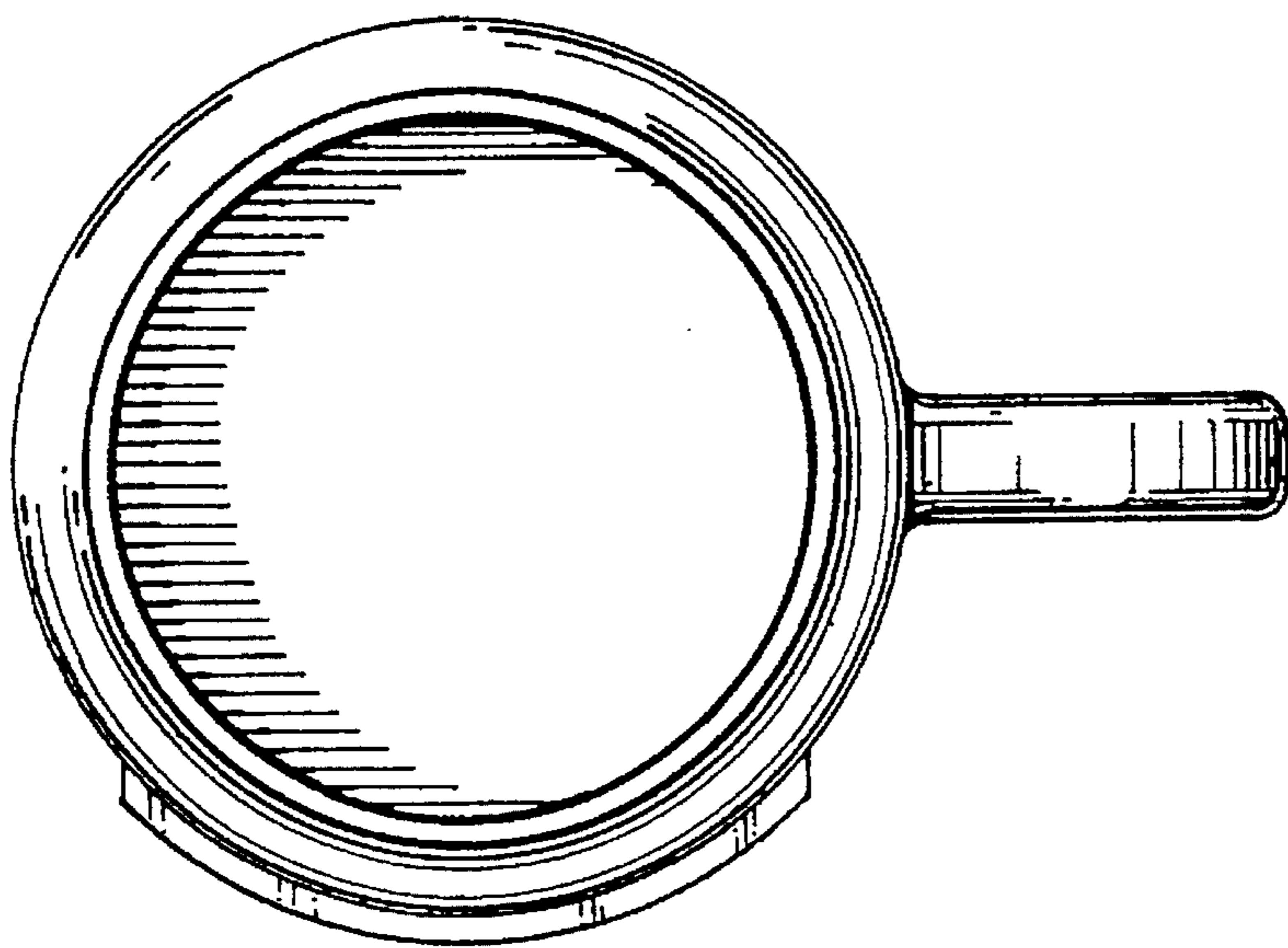


FIG. 7

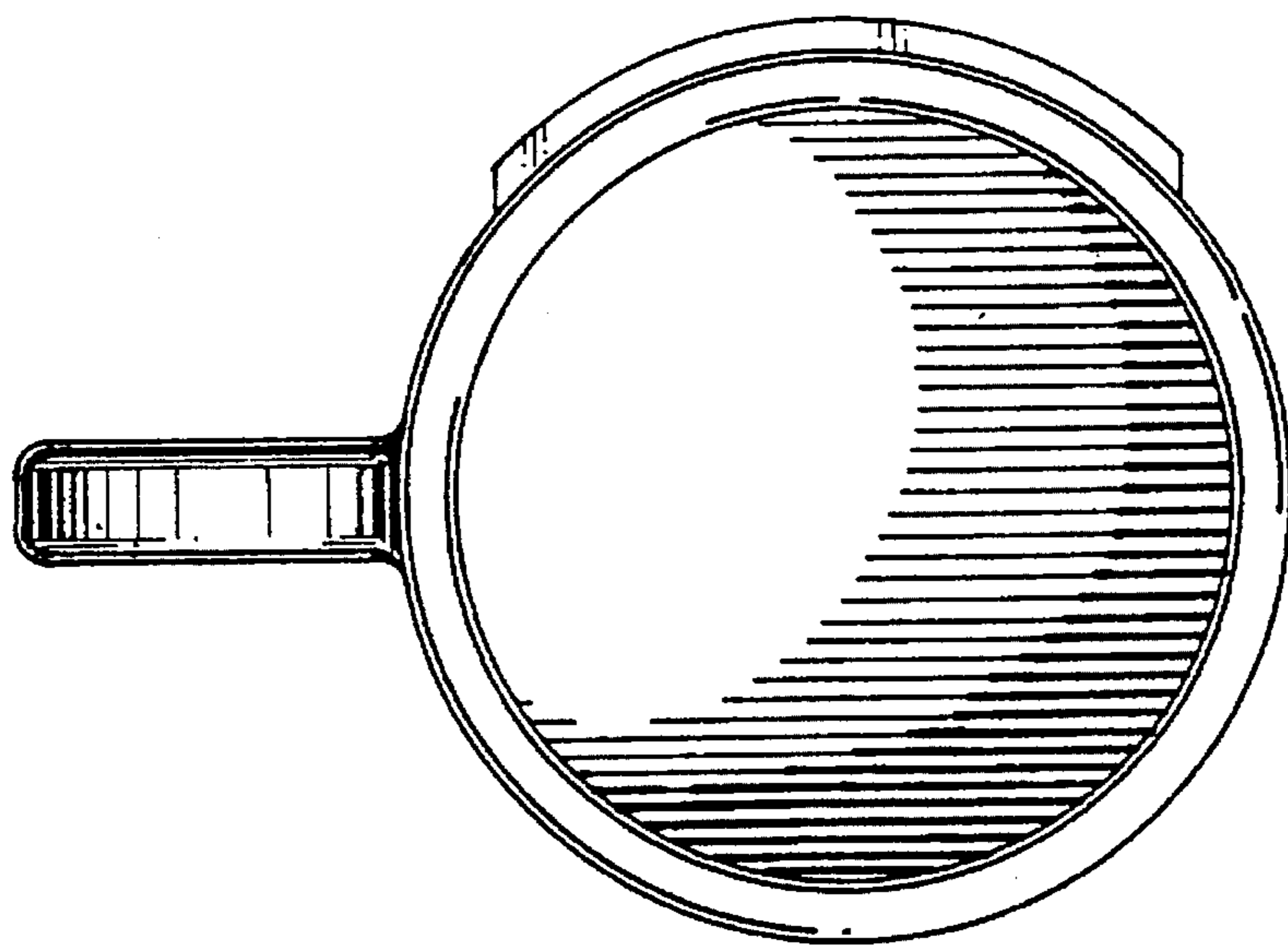


FIG. 6