



US00D368827S

**United States Patent** [19]  
**Thomas**

[11] **Patent Number: Des. 368,827**

[45] **Date of Patent: \*\*Apr. 16, 1996**

[54] **MICROWAVE CONVERGING LENS WOK**

**FOREIGN PATENT DOCUMENTS**

[76] **Inventor: Tony Thomas**, 435 Schwartz Ave.,  
Baltimore, Md. 21212

4142683 6/1993 Germany ..... 99/324  
8500962 3/1985 WIPO ..... 99/422

[\*\*] **Term: 14 Years**

**OTHER PUBLICATIONS**

[21] **Appl. No.: 14,215**

Foodservice Equipment & Supplies Specialist; vol. 42, No. 1  
1 May 25, 1989; Oriental Wok stove bottom left.

[22] **Filed: Oct. 15, 1993**

*Primary Examiner*—Alan P. Douglas  
*Assistant Examiner*—Caron D. Veynar

[52] **U.S. Cl. .... D7/354**

[58] **Field of Search** ..... D7/325, 354, 355,  
D7/357, 360; 99/324, 345, 403, 422, 444,  
450; 126/25 R

[57] **CLAIM**

The ornamental design for a microwave converging lens  
wok, as shown and described.

[56] **References Cited**

**DESCRIPTION**

**U.S. PATENT DOCUMENTS**

D. 255,537	6/1980	Bowen et al. ....	D7/325
D. 271,174	11/1983	Bowen et al. ....	D7/325
616,573	12/1898	Hertz .....	99/403
2,842,116	7/1958	Hinderer .....	126/25 R
4,027,132	5/1977	Levinson .....	219/729
4,335,291	6/1982	Ishino et al. ....	D7/325 X
4,663,506	5/1987	Bowen et al. ....	219/730
4,803,324	2/1989	Fujii et al. ....	219/759
5,142,114	8/1992	Briggs et al. ....	219/750
5,241,900	9/1993	Piane, Sr. ....	99/422

FIG. 1 is a perspective view of a microwave converging lens  
wok showing my new design;

FIG. 2 is an exploded perspective view thereof;

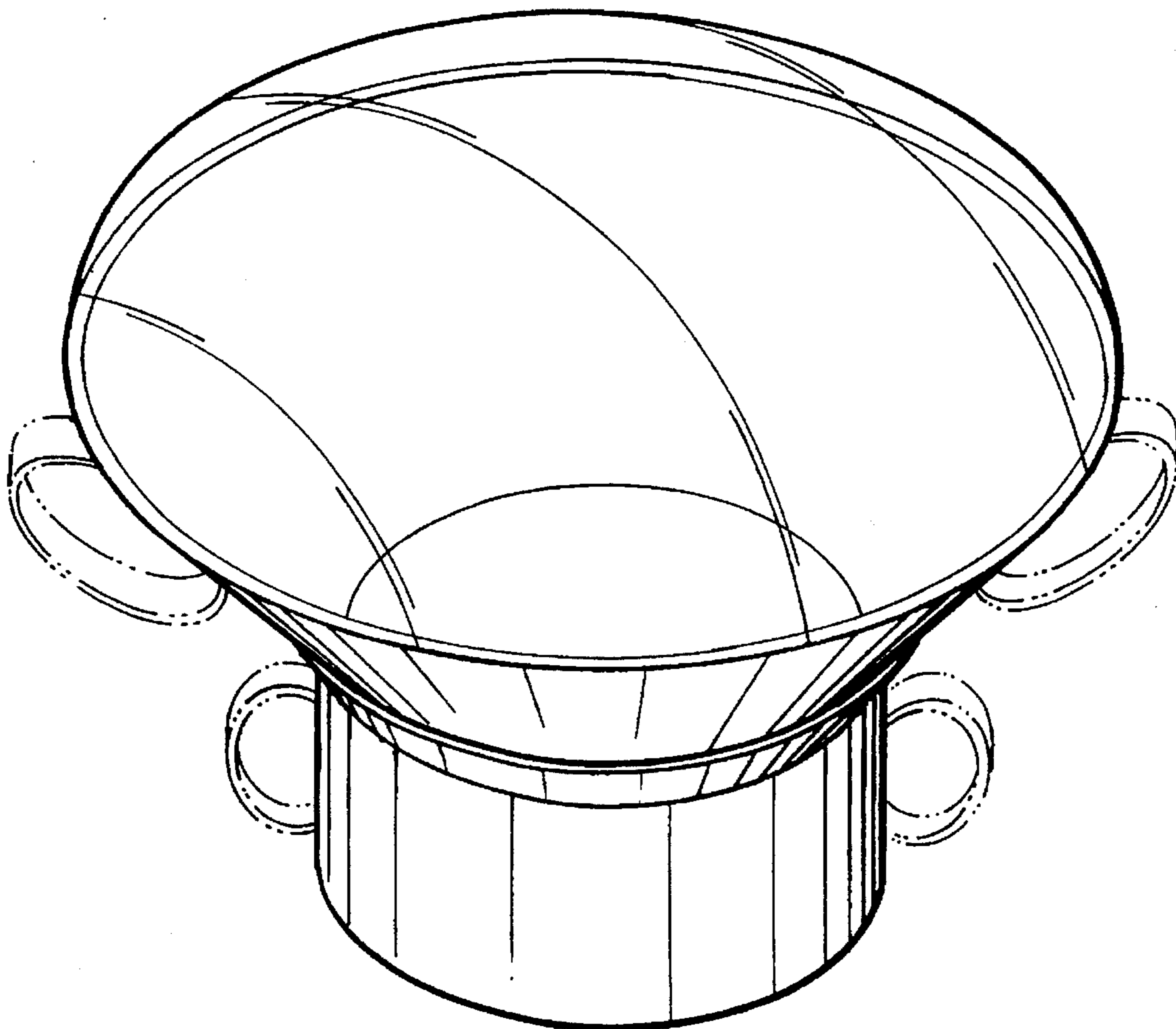
FIG. 3 is a front elevational view with all sides being a  
mirror image thereof;

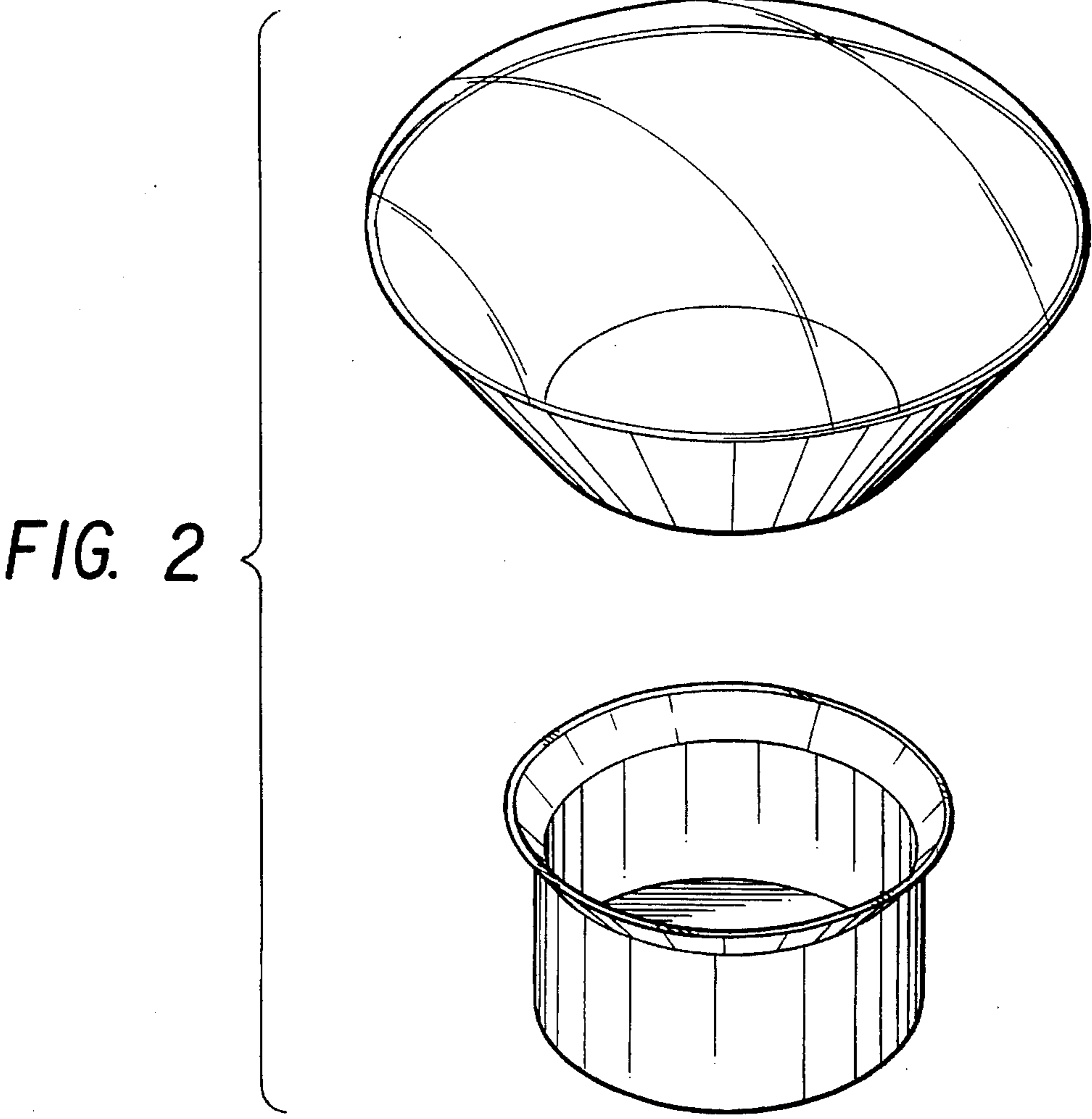
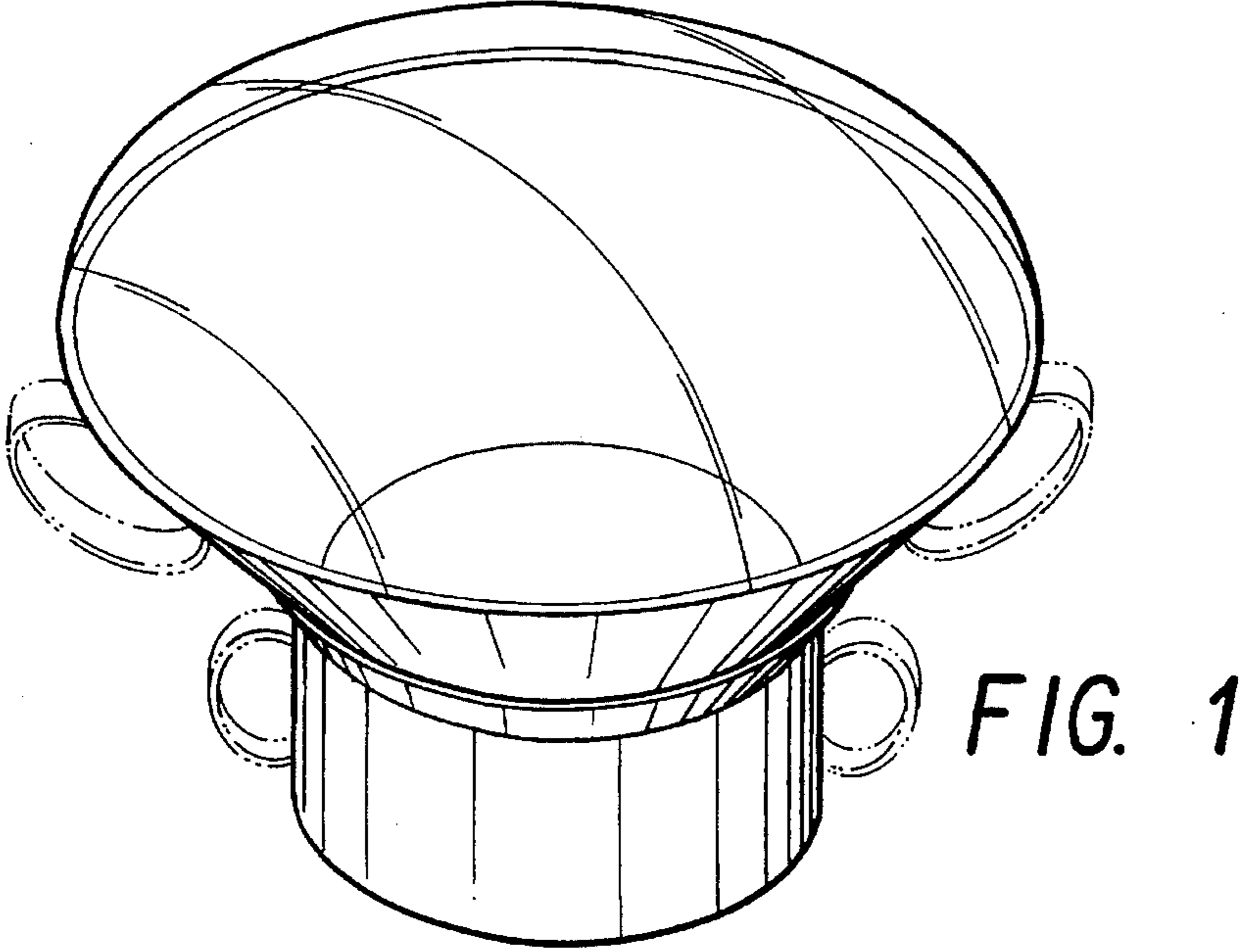
FIG. 4 is a top view thereof; and,

FIG. 5 is a bottom view thereof.

The broken line showing of handles in FIGS. 1, 3, and 5 is  
for illustrative purposes only and forms no part of the  
claimed design.

**1 Claim, 2 Drawing Sheets**





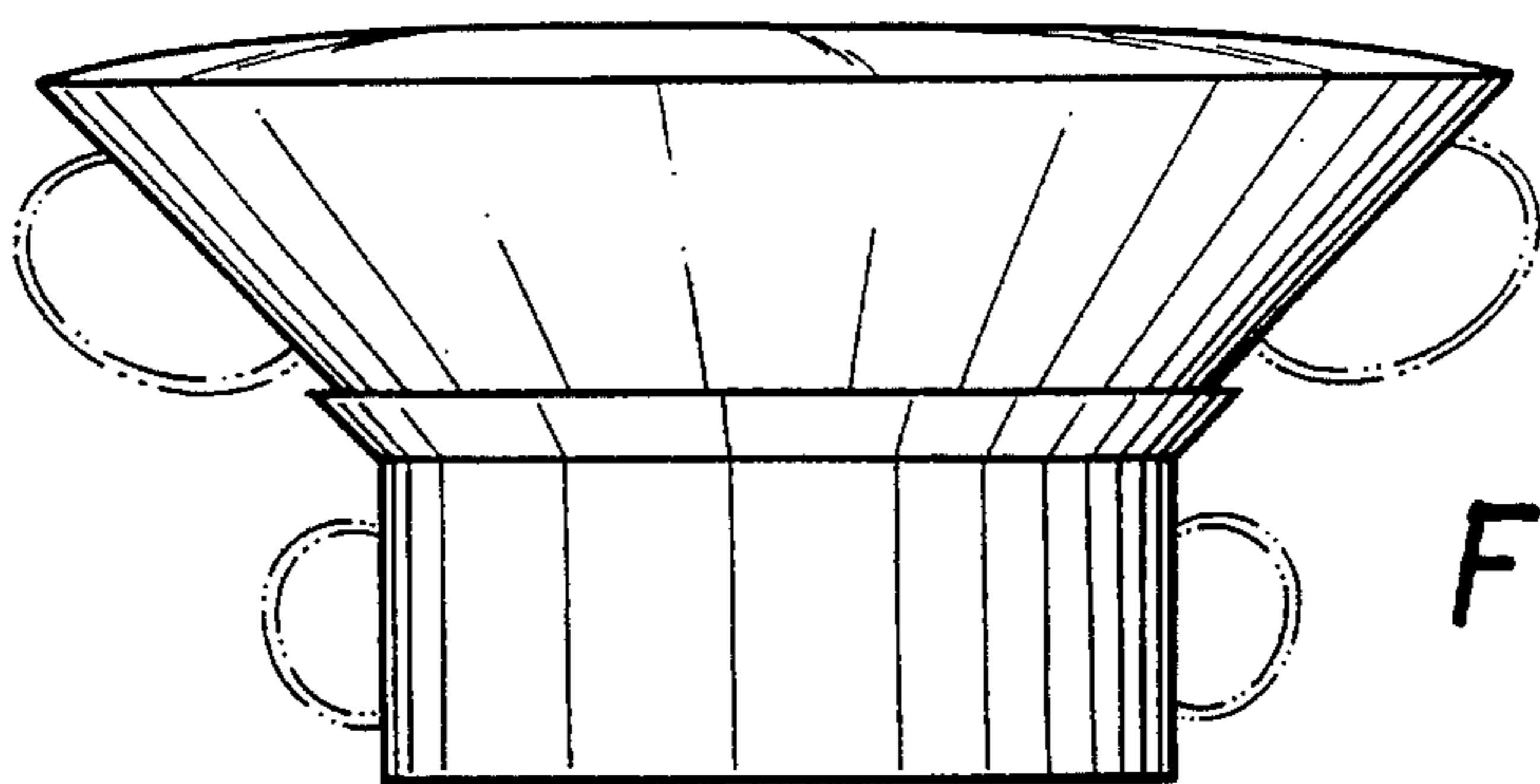


FIG. 3

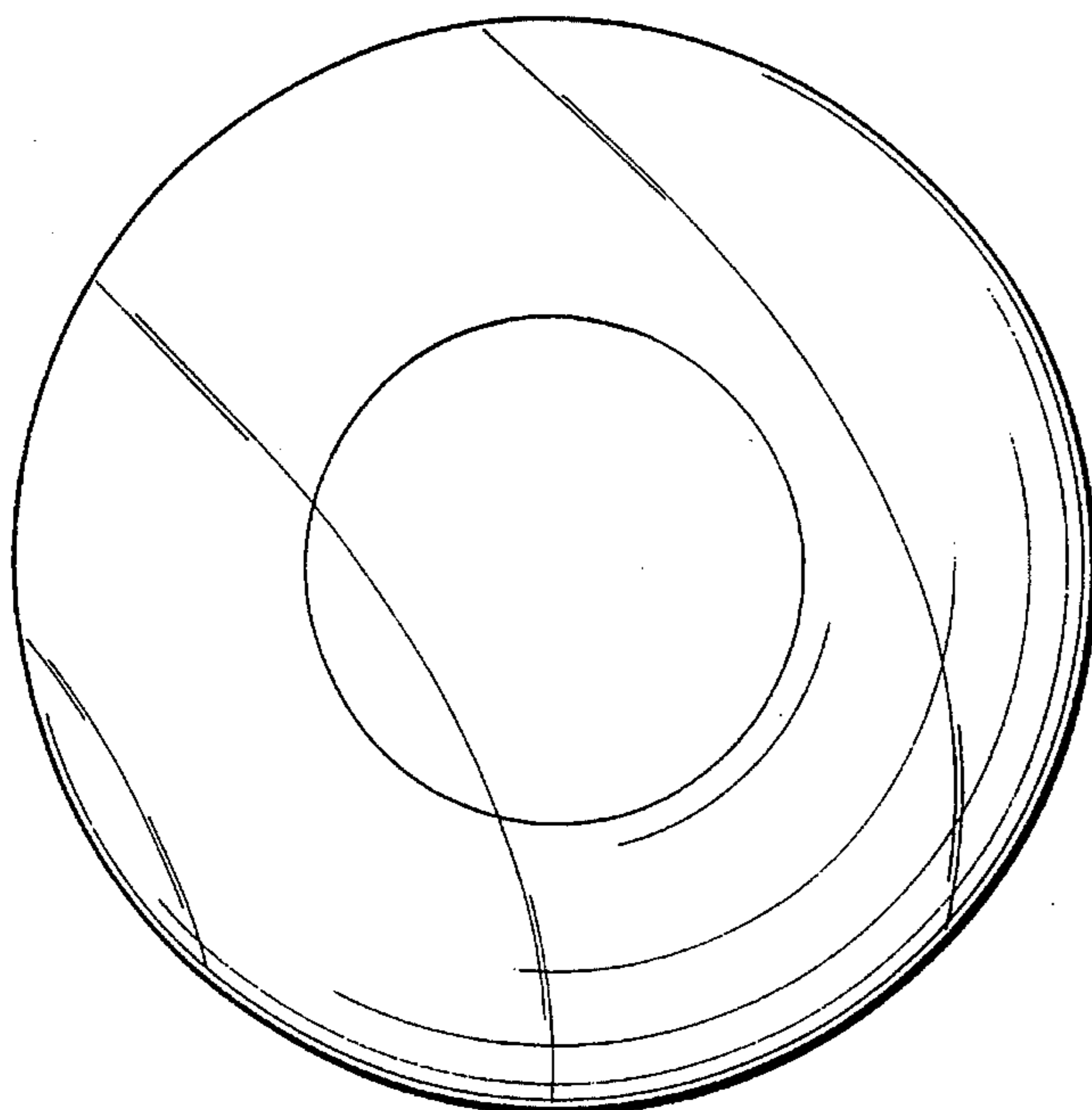


FIG. 4

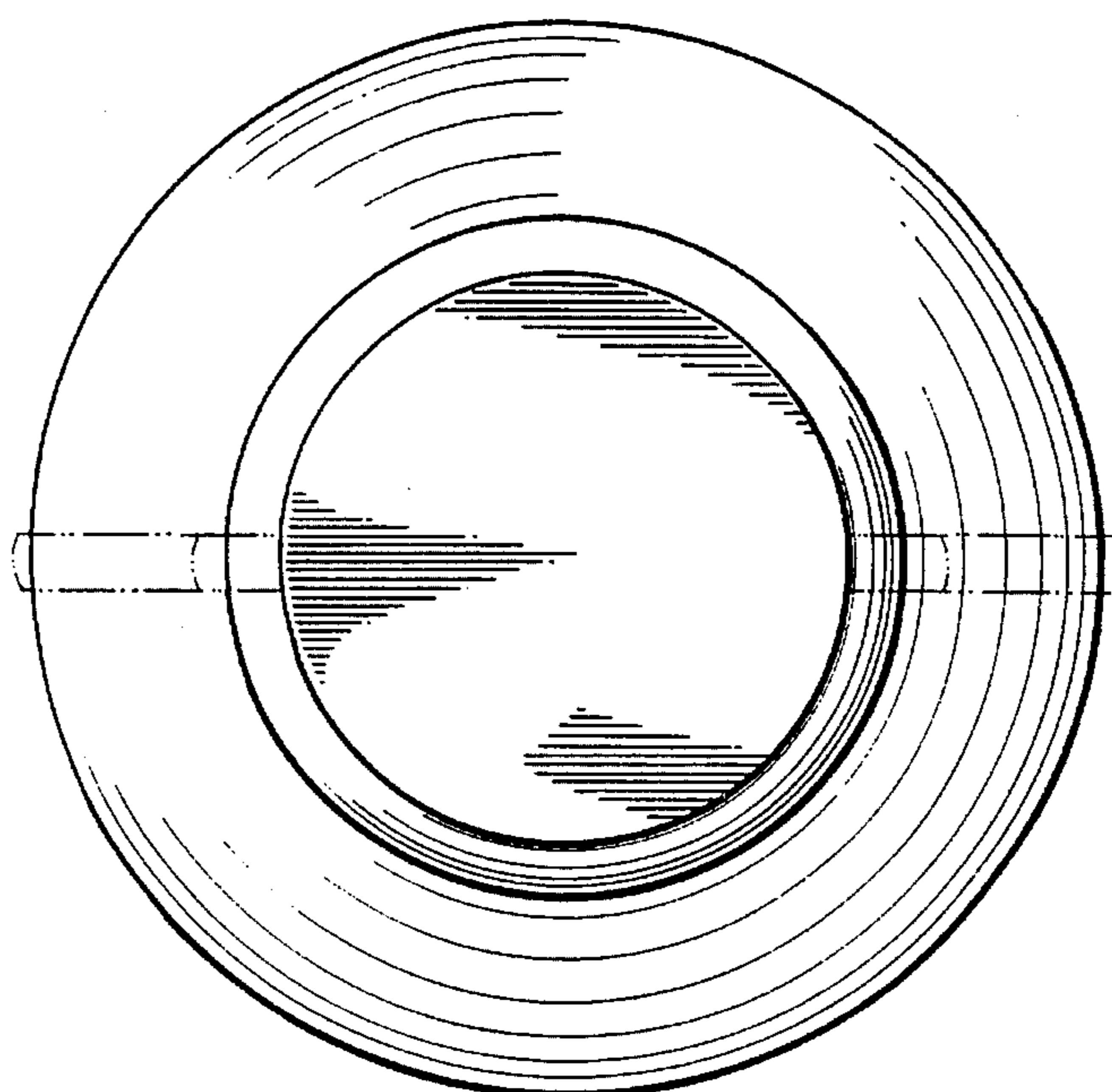


FIG. 5